



US00D819788S

(12) **United States Design Patent**
Freeman

(10) **Patent No.:** **US D819,788 S**
(45) **Date of Patent:** **** *Jun. 5, 2018**

- (54) **MOULD FOR A SKIMMER BOX LID**
- (71) Applicant: **Skimmer Lids Pty Ltd**, Southport, QLD (AU)
- (72) Inventor: **William Geoffrey Freeman**, Southport (AU)
- (73) Assignee: **Skimmer Lids Pty Ltd**, Southport (AU)
- (*) Notice: This patent is subject to a terminal disclaimer.
- (**) Term: **15 Years**
- (21) Appl. No.: **29/584,832**
- (22) Filed: **Nov. 17, 2016**

Related U.S. Application Data

- (63) Continuation of application No. 15/336,801, filed on Oct. 28, 2016.
- (51) **LOC (11) Cl.** **23-01**
- (52) **U.S. Cl.**
USPC **D23/261**
- (58) **Field of Classification Search**
USPC D23/206-209, 252, 258-261, 270, 323, D23/386-387; 4/286-287, 293, 295, 507; 137/296, 312-313; 210/470
CPC A47K 1/14; E03F 5/0404; E04H 4/14; E04H 4/1272
See application file for complete search history.

(56) **References Cited**

U.S. PATENT DOCUMENTS

- D262,395 S * 12/1981 Fisher D23/207
- 6,393,771 B1 5/2002 Stetson
- D602,575 S * 10/2009 Breda D23/261
- D628,266 S * 11/2010 Dittmann D23/209
- D628,267 S * 11/2010 Dittmann D23/209

- 7,862,729 B2 1/2011 Stetson
- D682,995 S * 5/2013 Feliciano D23/261
- D722,365 S * 2/2015 Bernoti D23/259
- D723,139 S * 2/2015 Bernoti D23/260
- D732,155 S * 6/2015 Purnell D23/386
- 2005/0000009 A1* 1/2005 Evans E04H 4/1272
4/498
- 2009/0139019 A1* 6/2009 Shebek E04H 4/1272
4/506
- 2011/0296601 A1* 12/2011 Hodak E04H 4/14
4/295

(Continued)

Primary Examiner — Eric L Goodman
Assistant Examiner — Amy C Wierenga
(74) *Attorney, Agent, or Firm* — Polsinelli PC

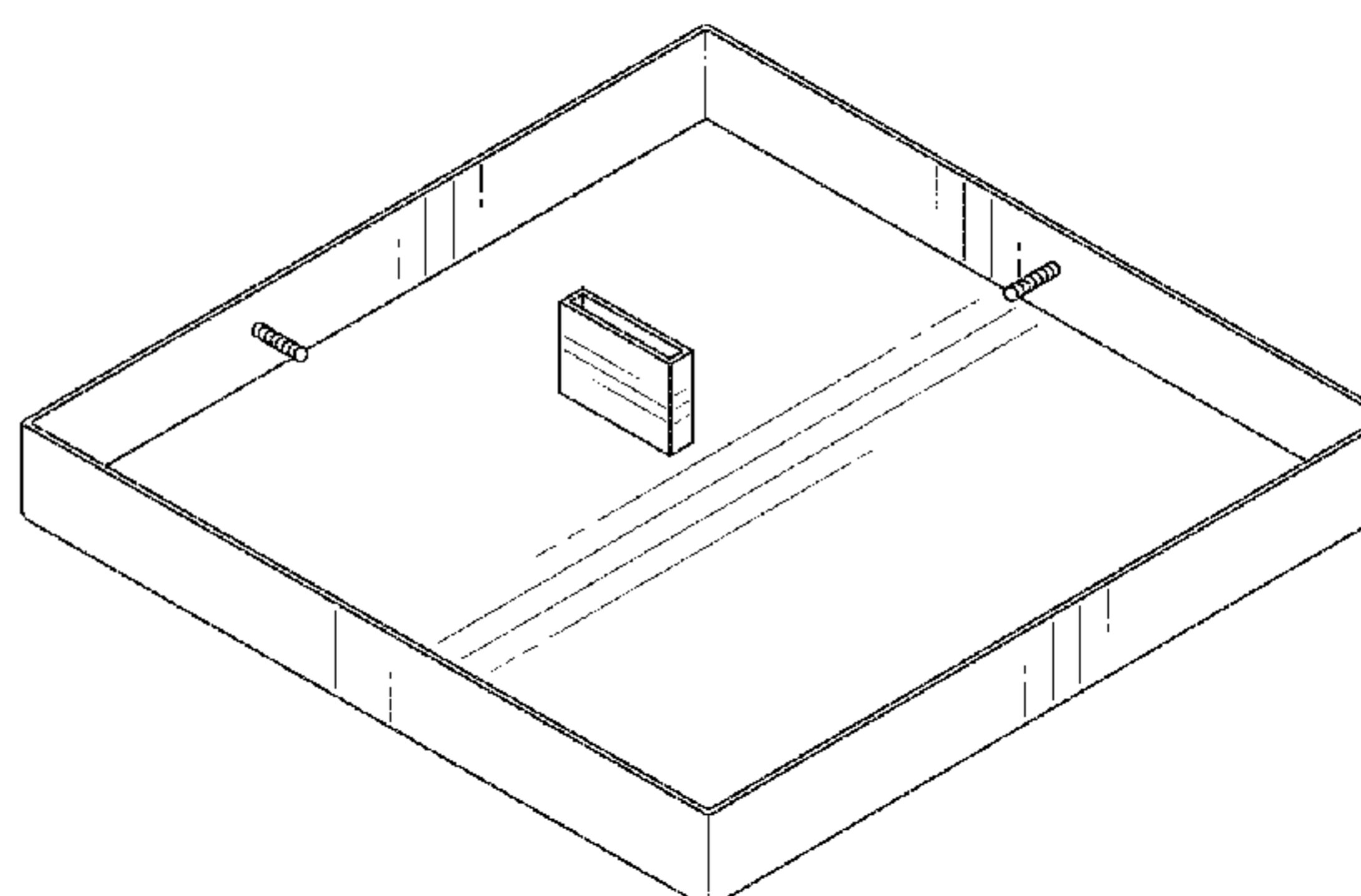
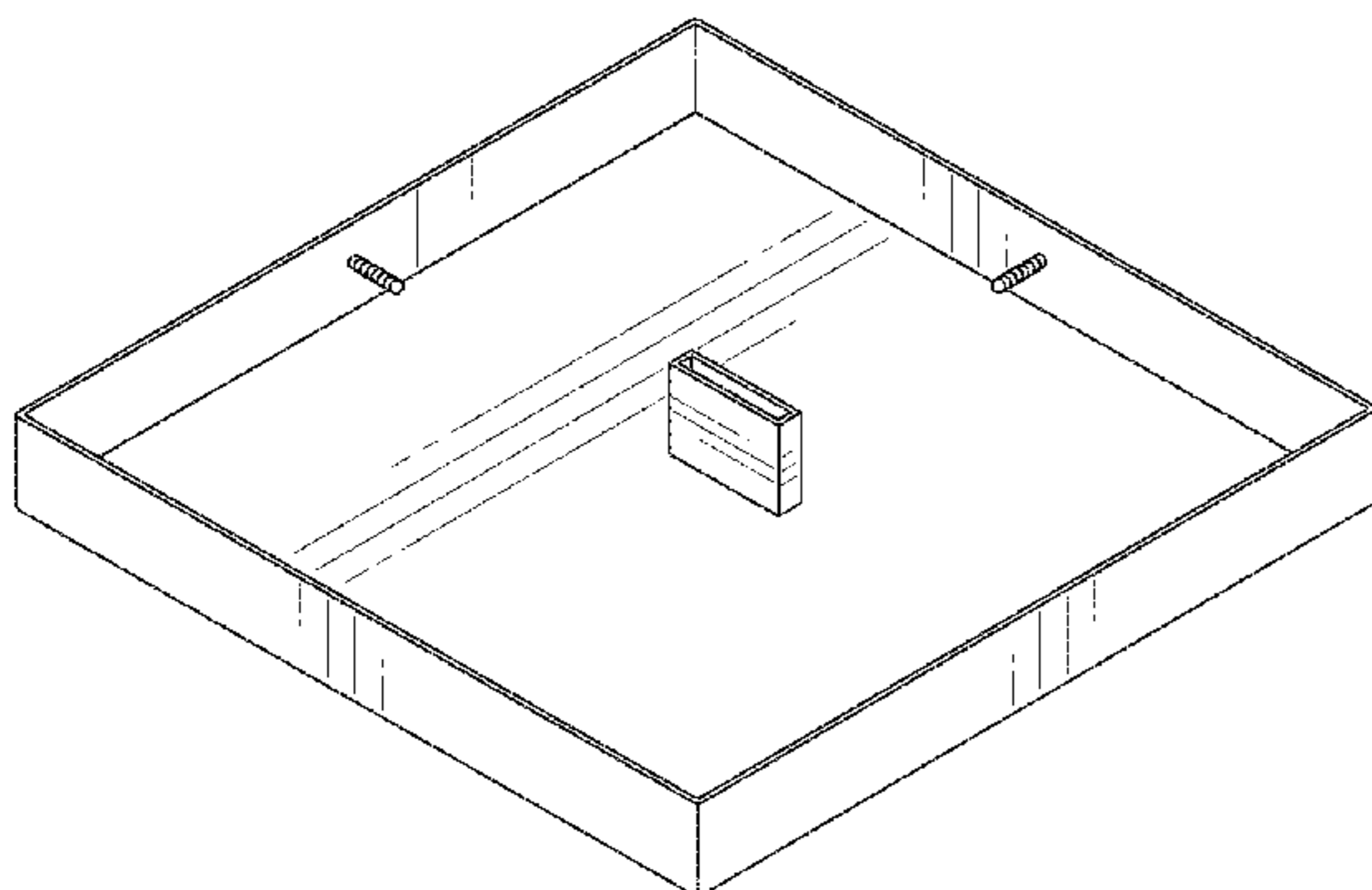
(57) **CLAIM**

I claim the ornamental design for a mould for a skimmer box lid, as shown and described.

DESCRIPTION

FIG. 1 is a top perspective view of a first embodiment of a mould for a skimmer box lid, showing my new design; FIG. 2 is a bottom perspective view thereof; FIG. 3 is a top plan view thereof; FIG. 4 is a bottom plan view thereof; FIG. 5 is a left side elevational view thereof; FIG. 6 is a right side elevational view thereof; FIG. 7 is a front elevational view thereof; and FIG. 8 is a rear elevational view thereof. FIG. 9 is a top perspective view of a second embodiment of a mould for a skimmer box lid, showing my new design; FIG. 10 is a bottom perspective view thereof; FIG. 11 is a top plan view thereof; and FIG. 12 is a bottom plan view thereof. The left side, right side, top plan, and bottom plan views of the second embodiment are omitted as they are the same as the left side, right side, top plan, and bottom plan views of the first embodiment.

1 Claim, 5 Drawing Sheets



(56)

References Cited

U.S. PATENT DOCUMENTS

2014/0007339 A1* 1/2014 Hodak E04H 4/1272
4/507
2017/0120475 A1* 5/2017 Freeman B28B 7/18
2017/0175410 A1* 6/2017 Smith E04H 4/1272

* cited by examiner

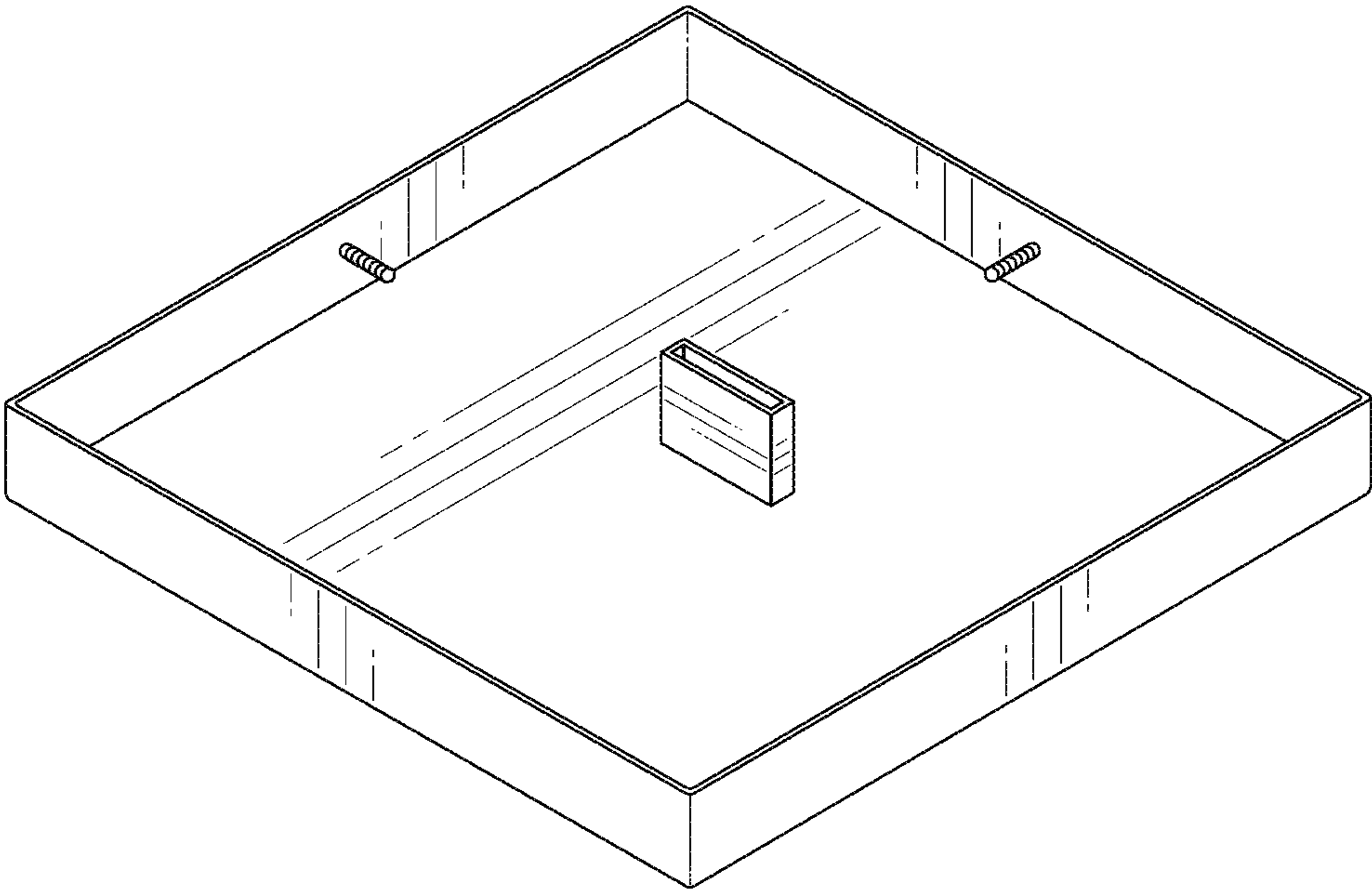


FIG. 1

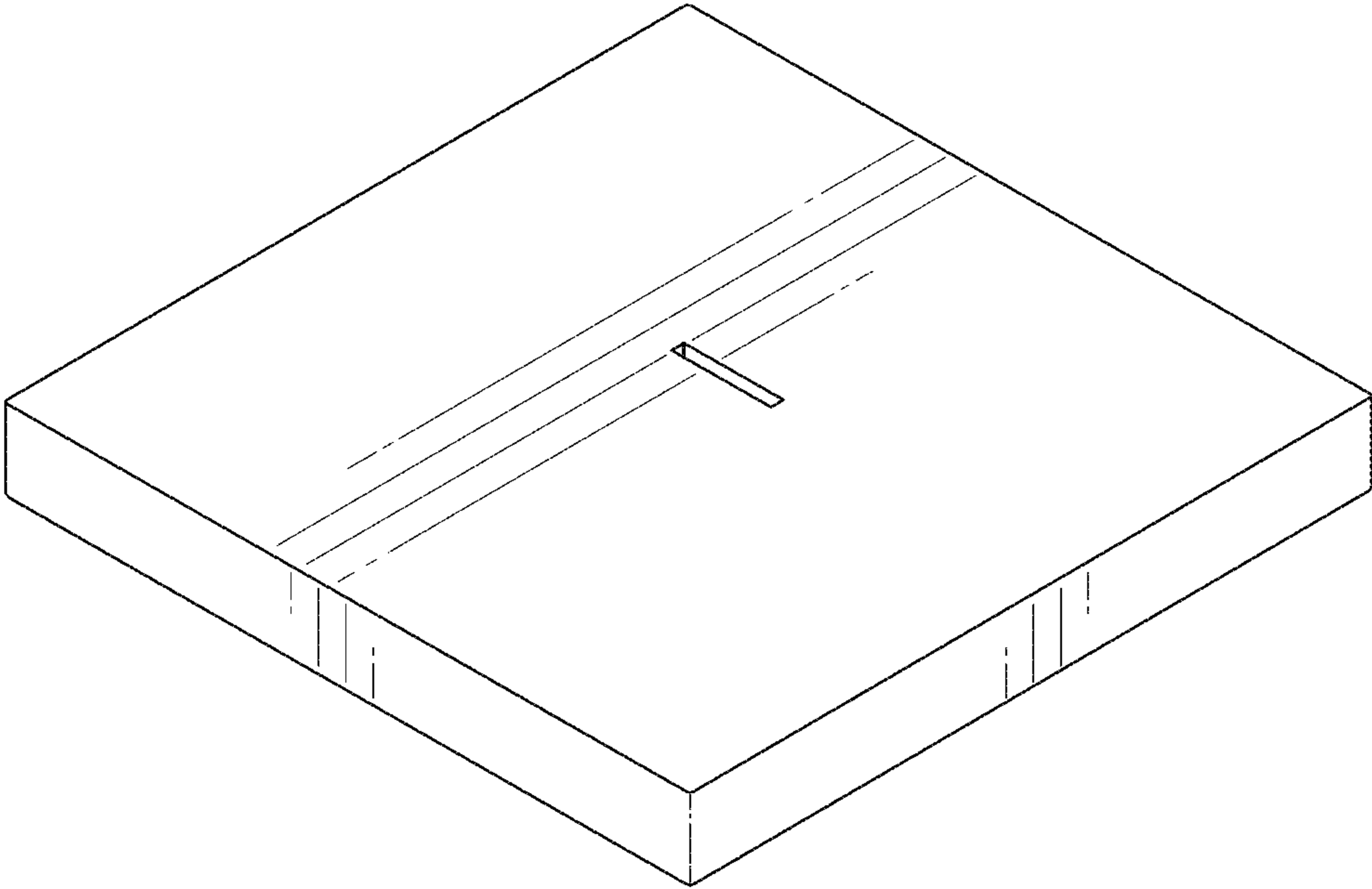


FIG. 2

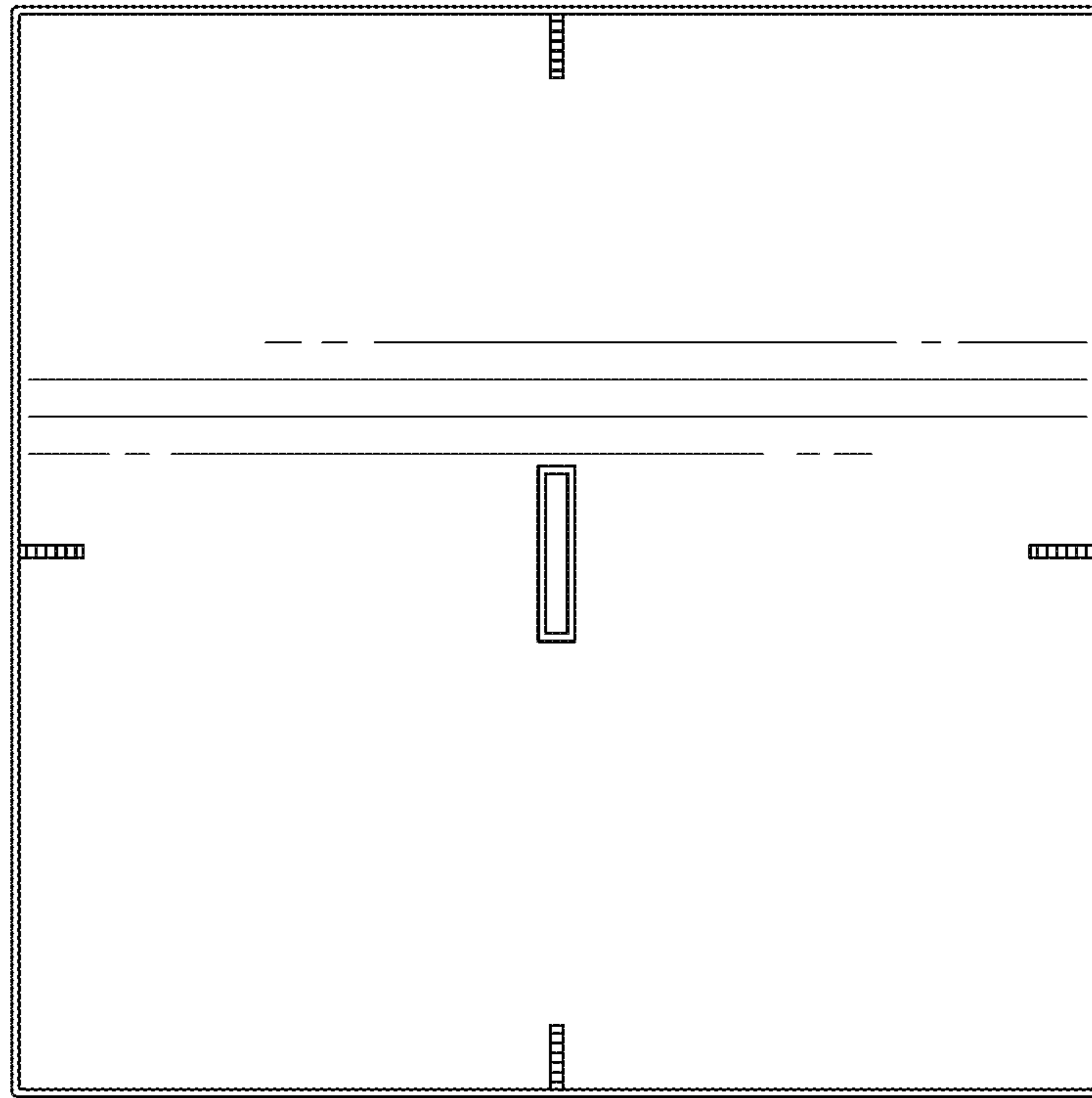


FIG. 3

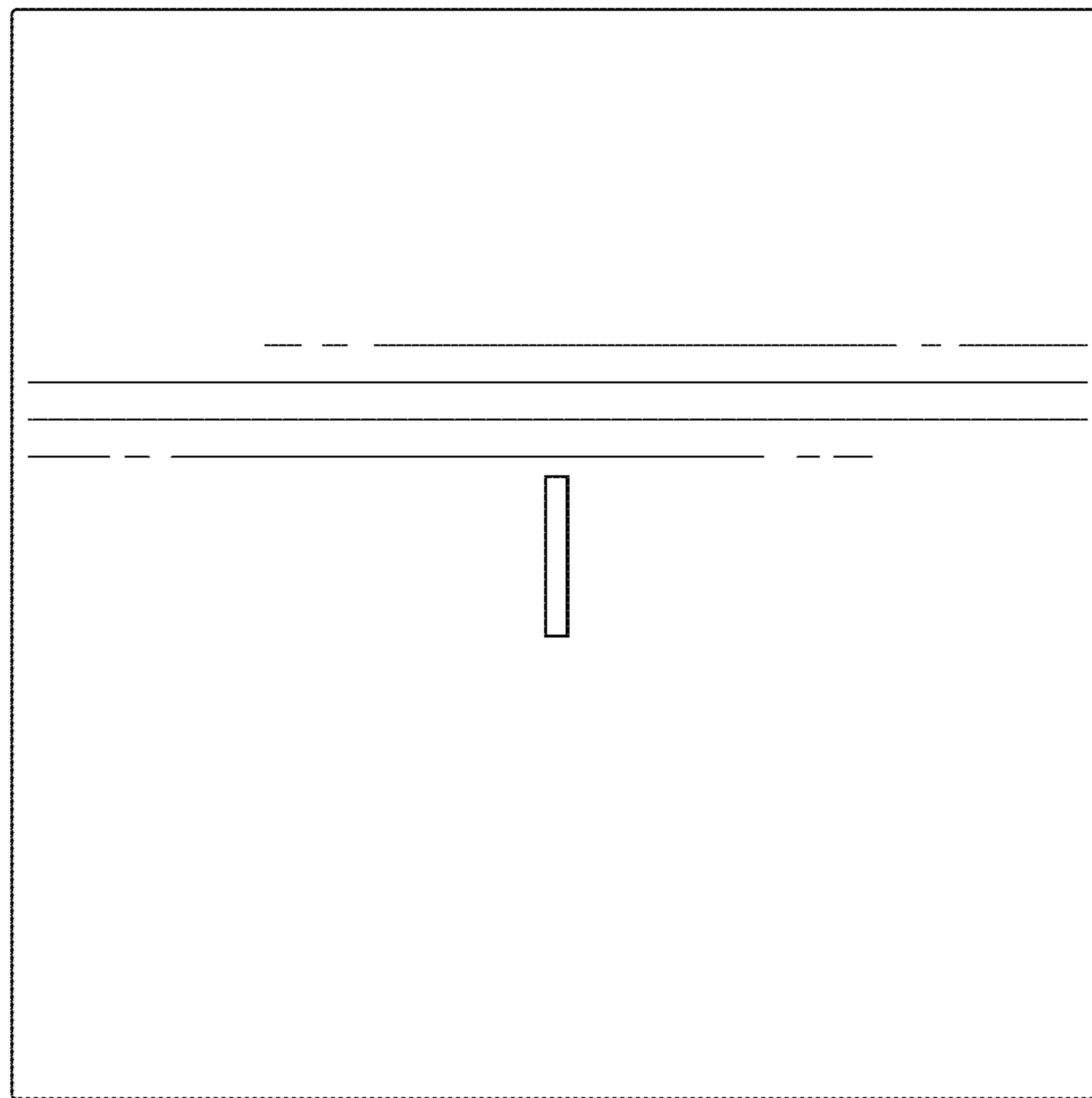


FIG. 4



FIG. 5



FIG. 6



FIG. 7



FIG. 8

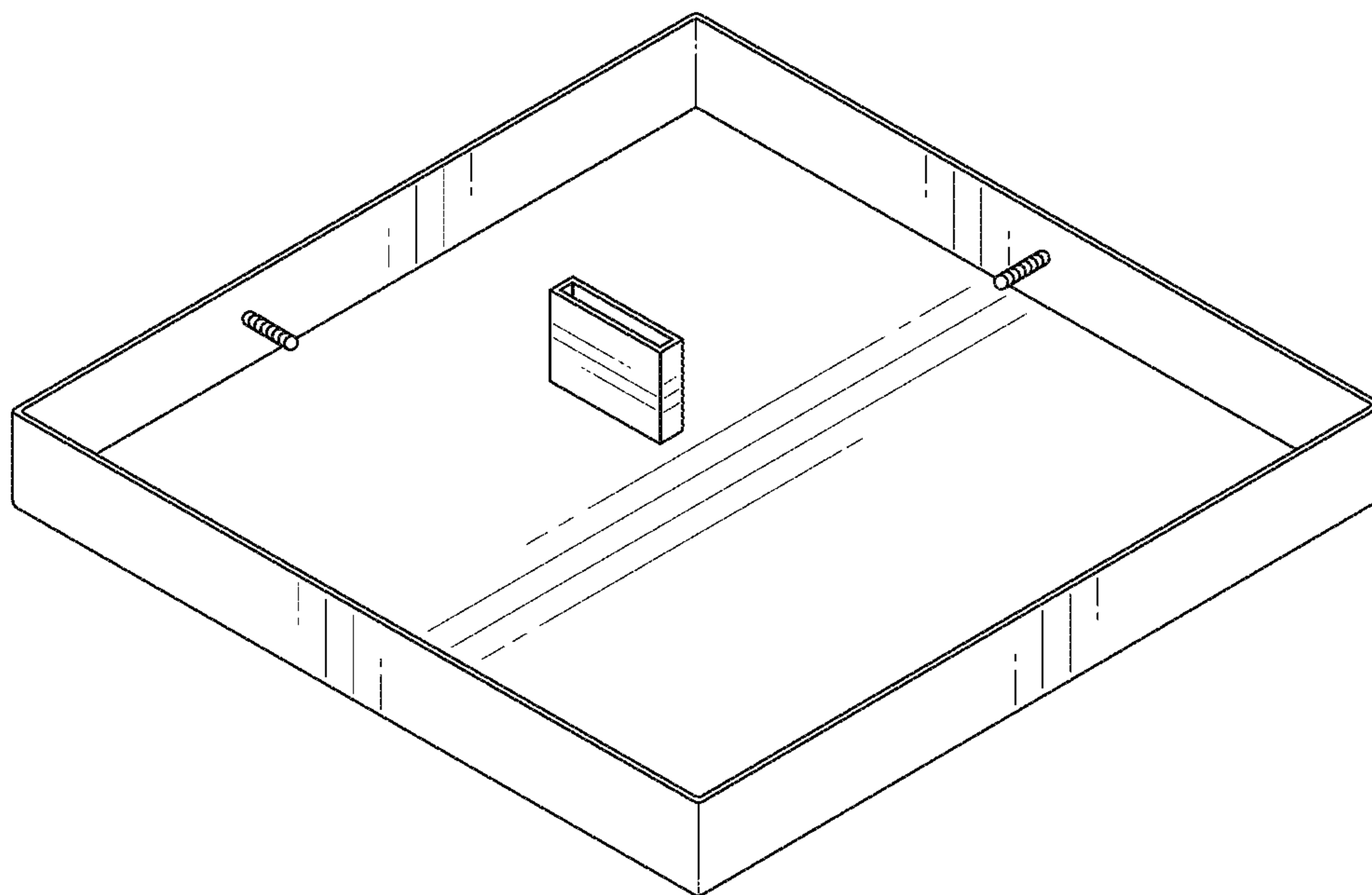


FIG. 9

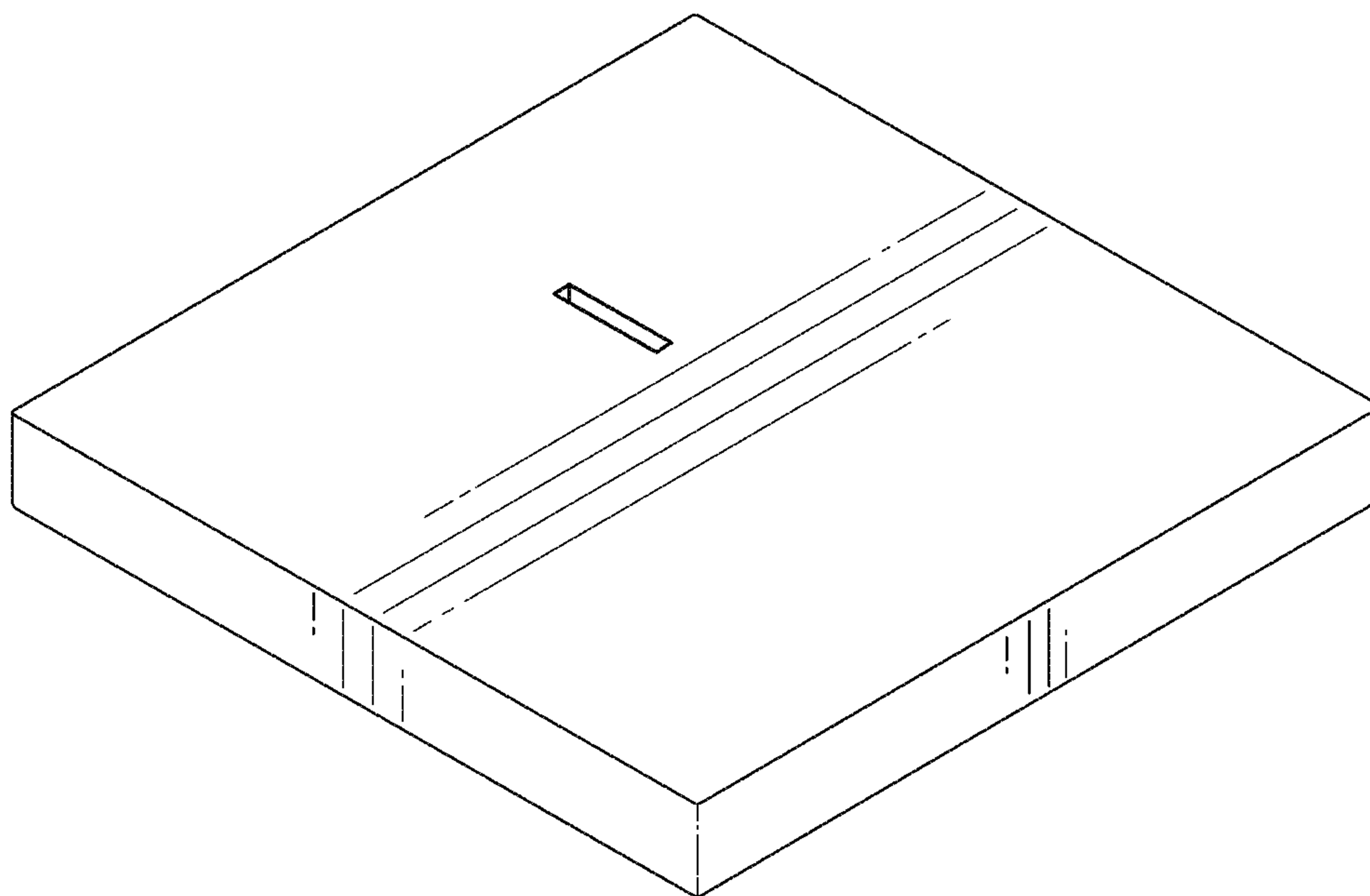


FIG. 10

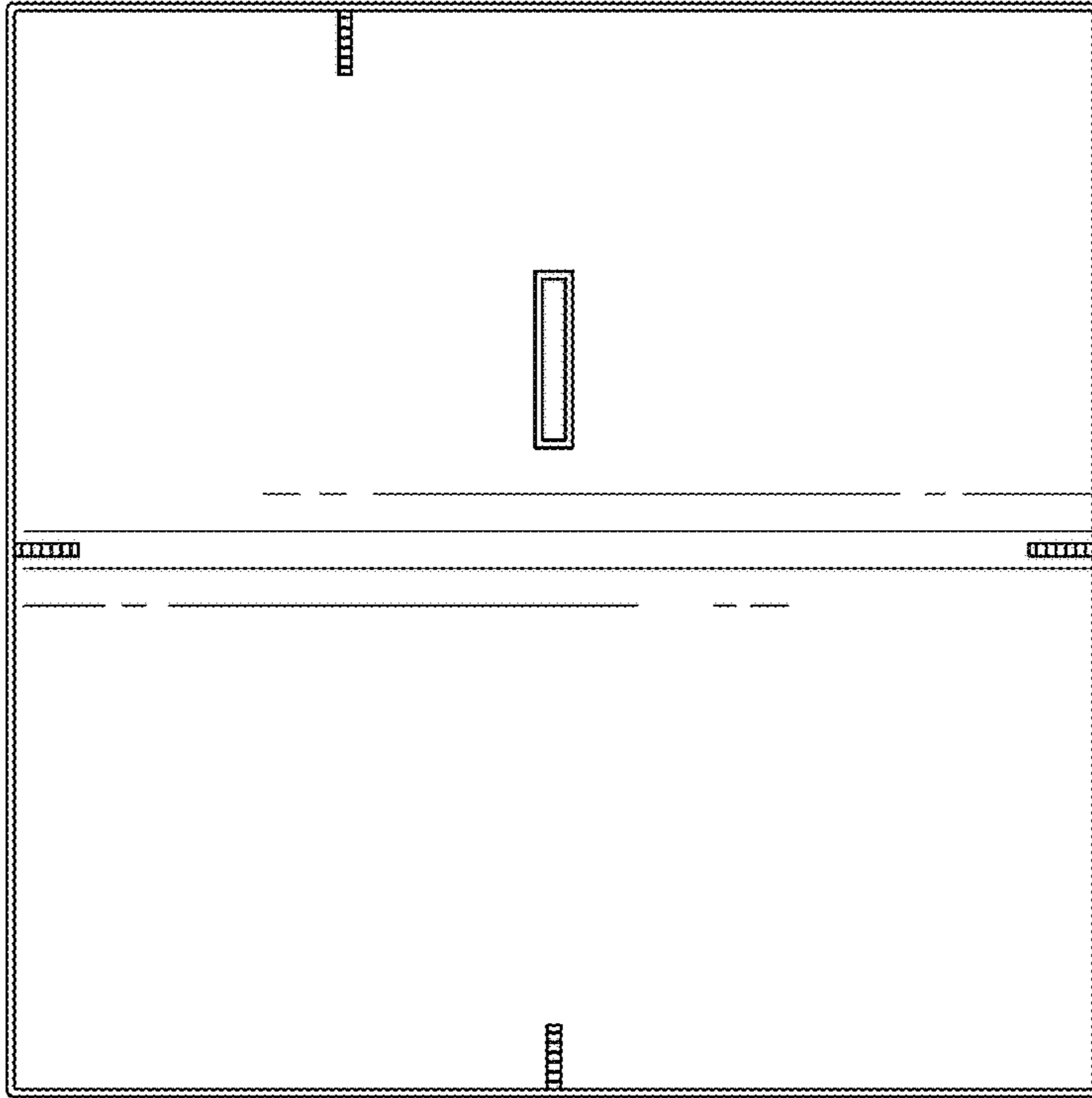


FIG. 11

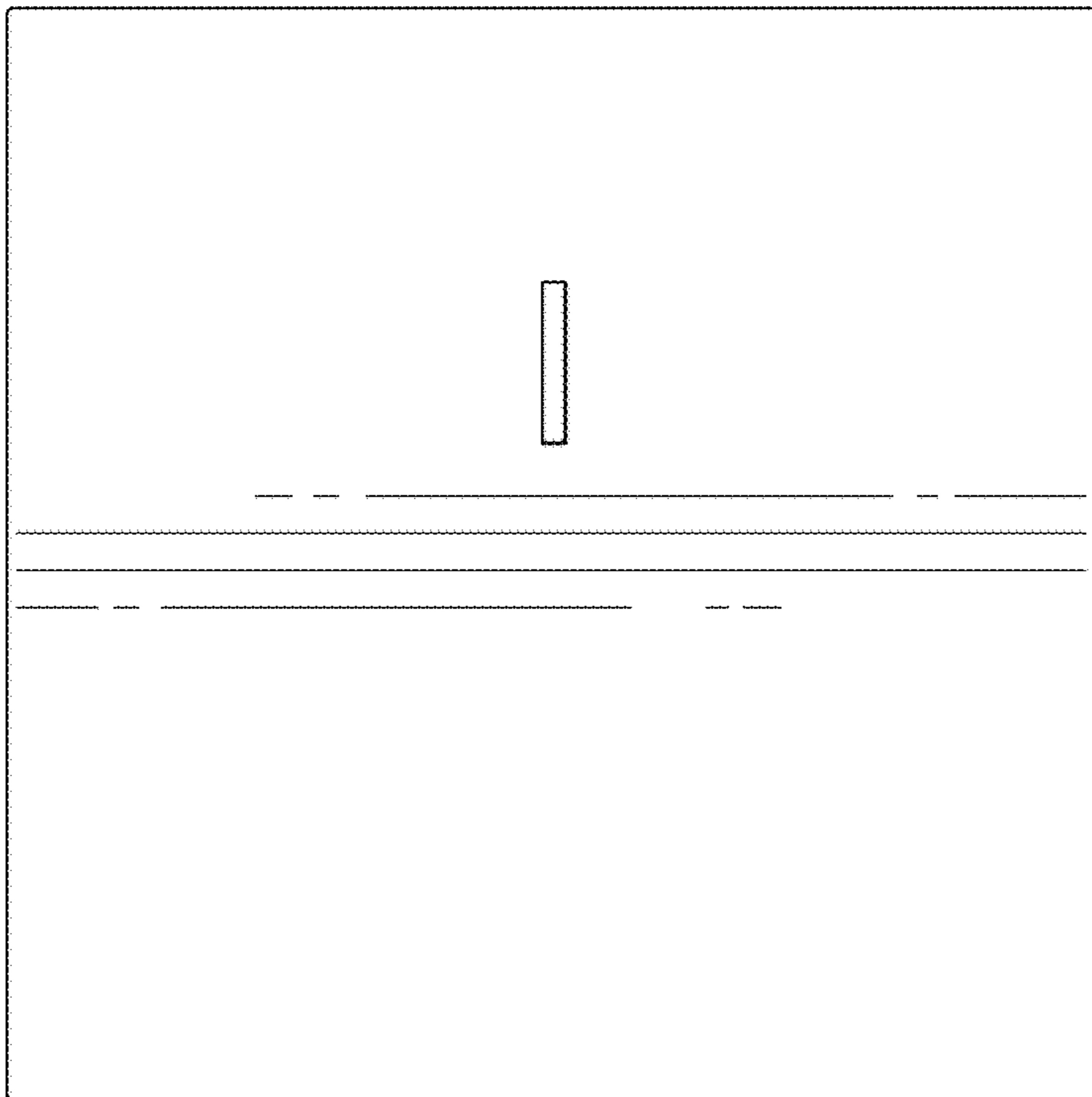


FIG. 12