



US00D819787S

(12) **United States Design Patent**
Yeater

(10) **Patent No.:** **US D819,787 S**

(45) **Date of Patent:** **** Jun. 5, 2018**

- (54) **FLANGE COVER**
- (71) Applicant: **Joshua Richard Yeater**, Liberty, TX (US)
- (72) Inventor: **Joshua Richard Yeater**, Liberty, TX (US)
- (**) Term: **15 Years**
- (21) Appl. No.: **29/594,022**
- (22) Filed: **Feb. 15, 2017**
- (51) **LOC (11) Cl.** **23-01**
- (52) **U.S. Cl.**
USPC **D23/260**
- (58) **Field of Classification Search**
USPC D23/259–261, 262, 268, 269; 4/287, 4/286, 288–295, 490, 496, 541.6, 501, 4/505, 507, 694, 671–674; 210/157–159, 210/162, 164–165; D9/443, 454, 780; 220/241; 138/96 R, 89, 89.3
CPC E03C 1/22; E03C 1/23; E03C 1/26; E03C 1/262; E03C 1/264; E03C 1/03; E03C 1/24; E03C 1/28; E03C 1/298; F16L 57/005; F16L 23/003; B65D 59/02
See application file for complete search history.

- 5,546,989 A * 8/1996 Bowes B65D 59/06 138/109
- 6,085,362 A * 7/2000 Huber E03D 11/16 138/96 R
- 6,532,992 B1 * 3/2003 Holden F16L 57/005 138/89
- D612,235 S * 3/2010 Cresswell D9/443
- D620,357 S * 7/2010 Jewett D9/443
- 8,011,030 B2 * 9/2011 Li E03C 1/262 4/286
- D663,386 S * 7/2012 Fibranz D23/260
- 8,443,844 B2 5/2013 Zeyfang
- D698,739 S * 2/2014 Kleinschmidt D13/177
- 8,800,603 B2 * 8/2014 Zeyfang F16L 57/005 138/89
- D720,836 S * 1/2015 Moe D23/260
- D732,959 S * 6/2015 Branstad D9/454
- D756,222 S * 5/2016 Lopez D23/260
- 9,869,081 B1 * 1/2018 Pardo, Jr. E03D 11/16

(Continued)

Primary Examiner — Eric L Goodman
Assistant Examiner — Amy C Wierenga
 (74) *Attorney, Agent, or Firm* — Global Intellectual Property Agency, LLC; Daniel Boudwin

(57) **CLAIM**

The ornamental design for a flange cover, as shown and described.

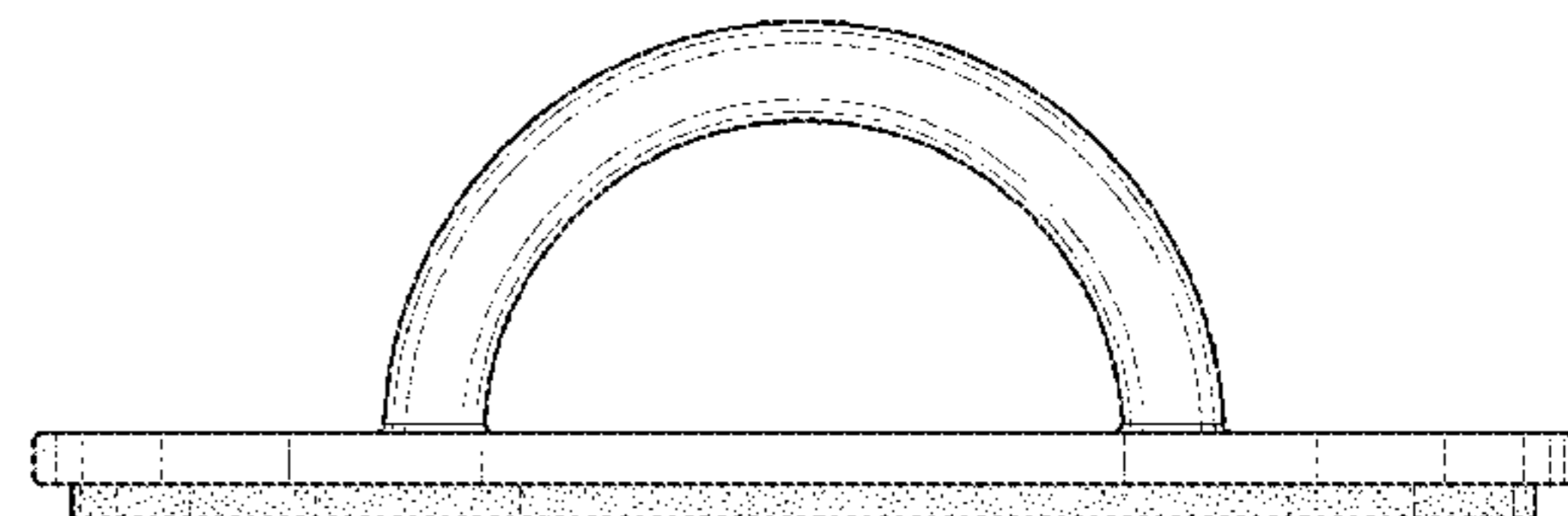
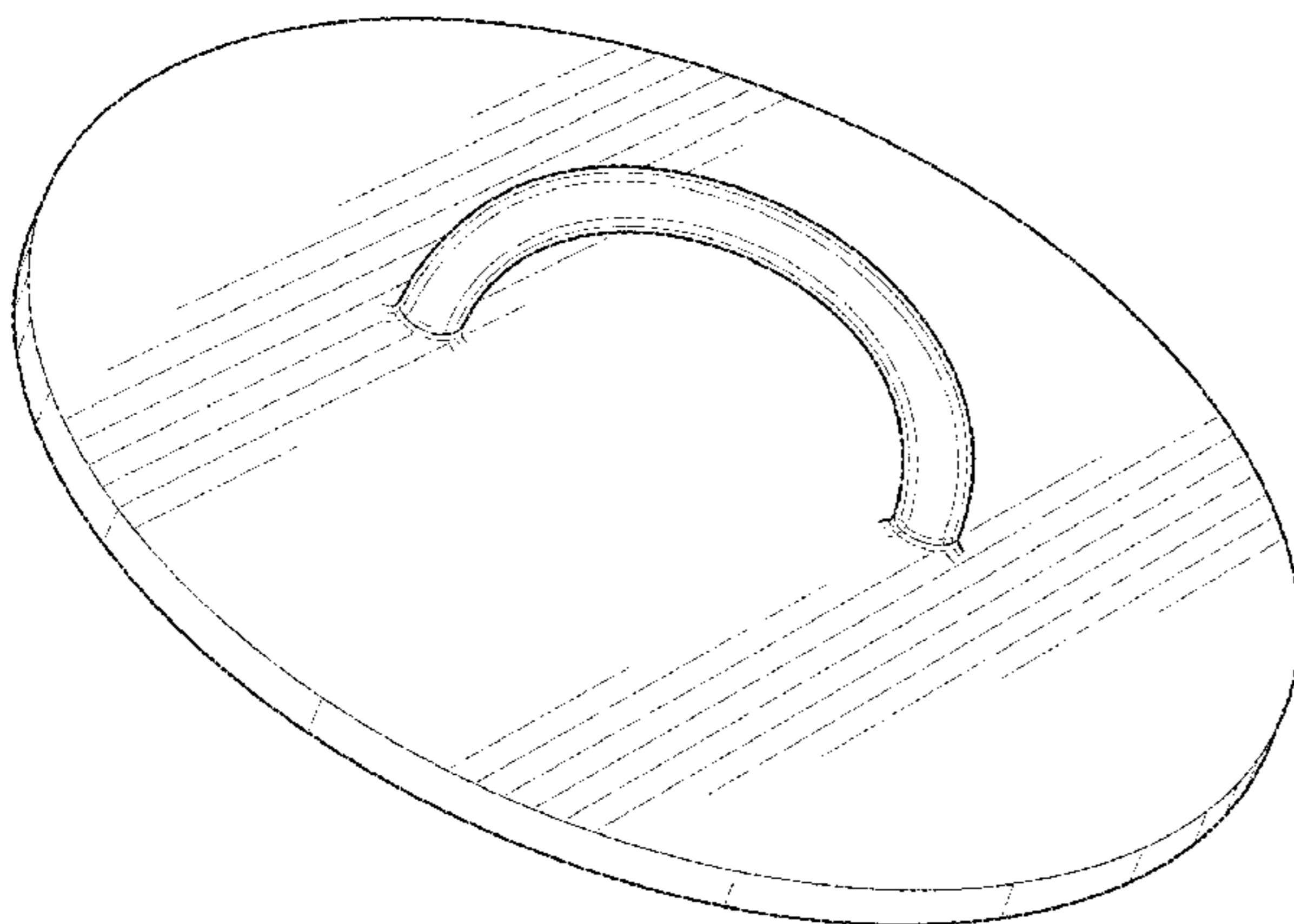
DESCRIPTION

FIG. 1 shows a perspective view of the flange cover.
 FIG. 2 shows a top elevation view thereof.
 FIG. 3 shows a bottom elevation view thereof.
 FIG. 4 shows a left side elevation view thereof.
 FIG. 5 shows a right side elevation view thereof.
 FIG. 6 shows a front end elevation view thereof.
 FIG. 7 shows a rear end elevation view thereof; and,
 FIG. 8 shows a bottom perspective view thereof.
 The shade lines in the Figures show contour and not surface ornamentation.

1 Claim, 6 Drawing Sheets

(56) **References Cited**
 U.S. PATENT DOCUMENTS

- D3,671 S * 9/1869 Livingston D9/439
- 1,925,008 A * 8/1933 Schacht A47K 1/14 4/293
- 3,856,050 A * 12/1974 Rooney F16L 57/005 138/96 R
- 4,014,368 A 3/1977 Nelsen
- 4,233,697 A * 11/1980 Cornwall E03D 11/16 138/89
- 4,413,748 A 11/1983 Kessler et al.
- 5,435,350 A 7/1995 Bowes
- 5,503,189 A 4/1996 Lamendola



(56)

References Cited

U.S. PATENT DOCUMENTS

2004/0103474 A1* 6/2004 Ball E03C 1/24
4/680
2008/0230469 A1* 9/2008 Chervený E03C 1/264
210/455
2010/0071122 A1* 3/2010 Li E03C 1/262
4/287
2012/0234430 A1* 9/2012 Zeyfang F16L 23/003
138/96 R

* cited by examiner

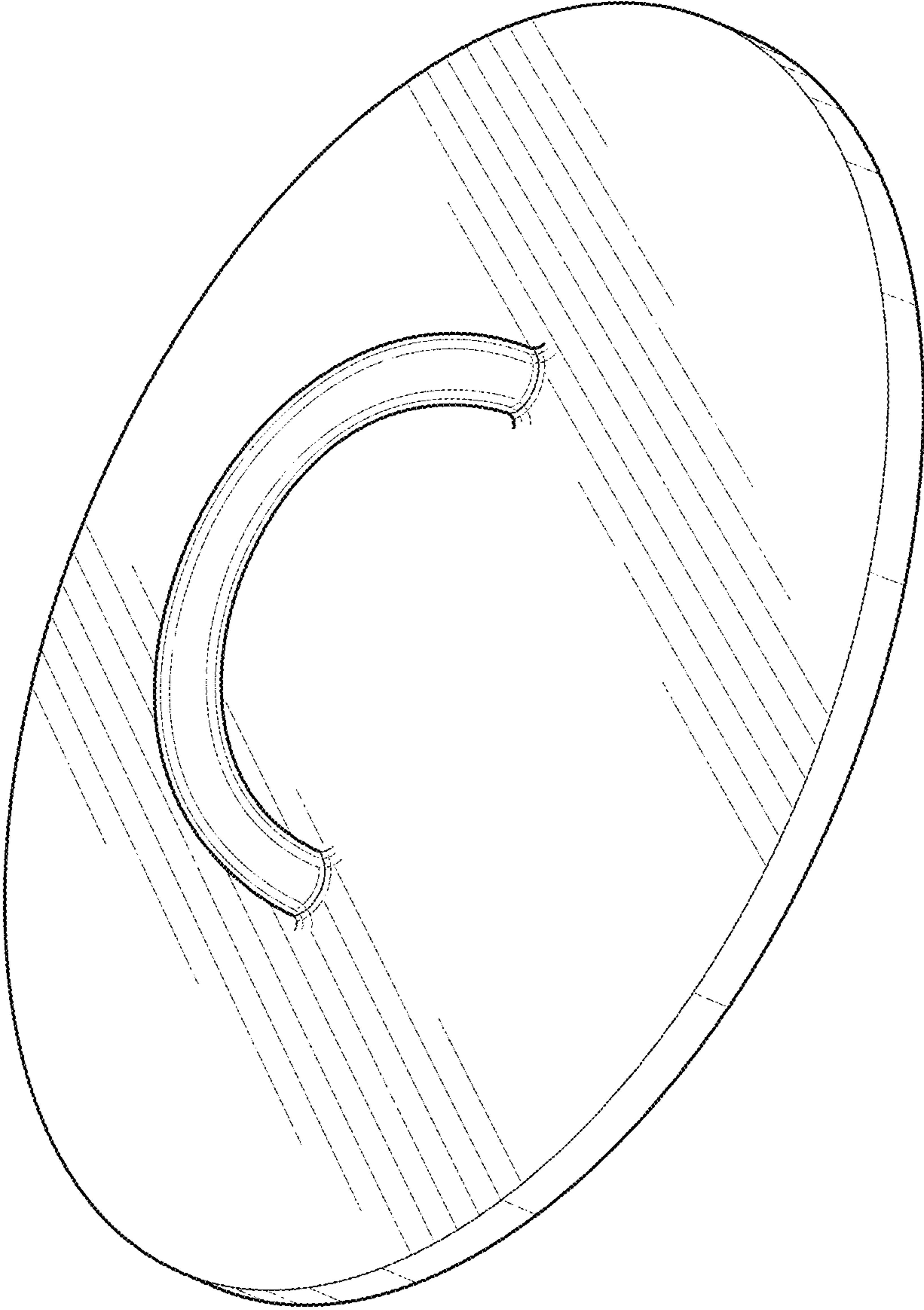


FIG. 1

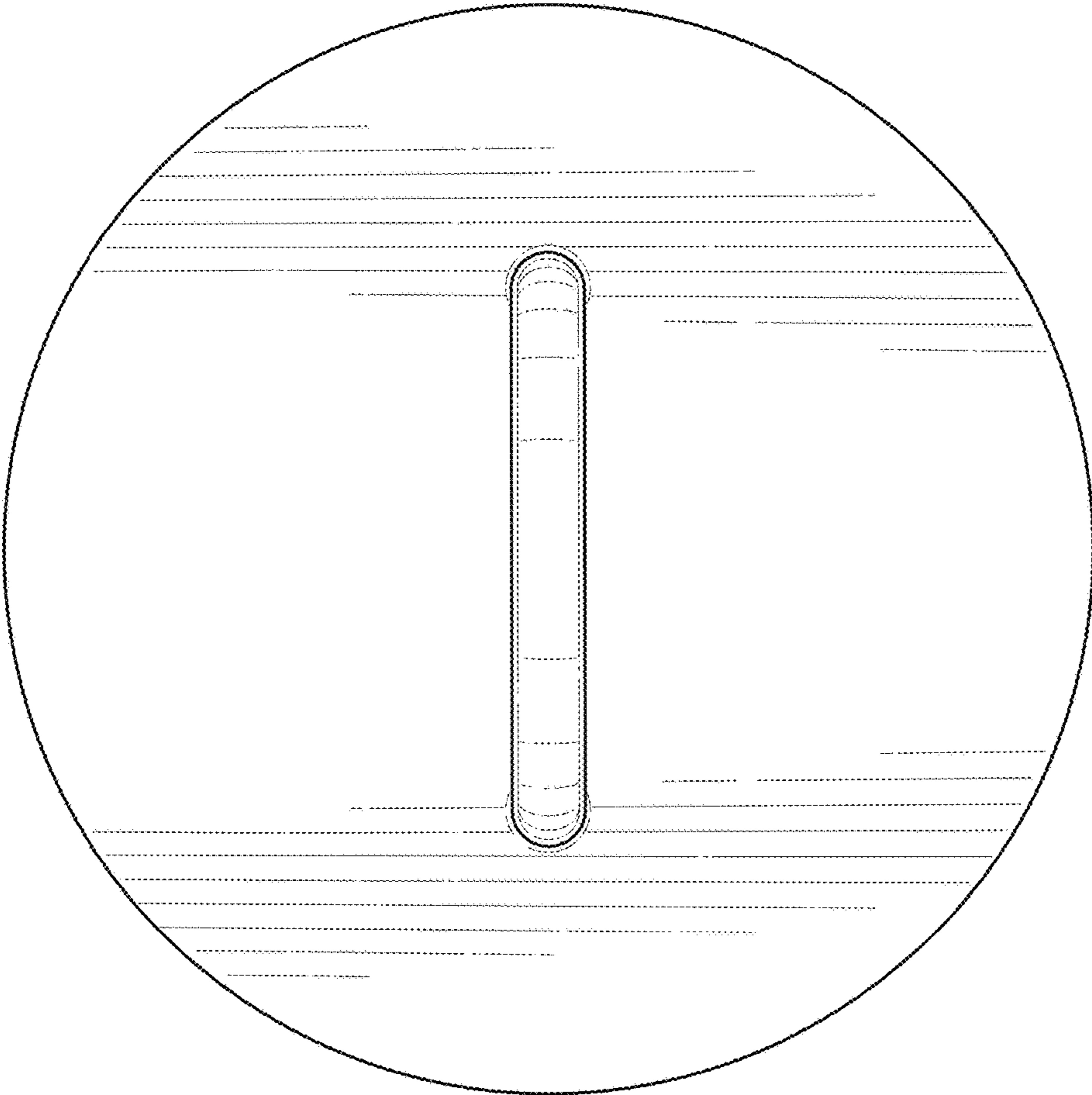


FIG. 2

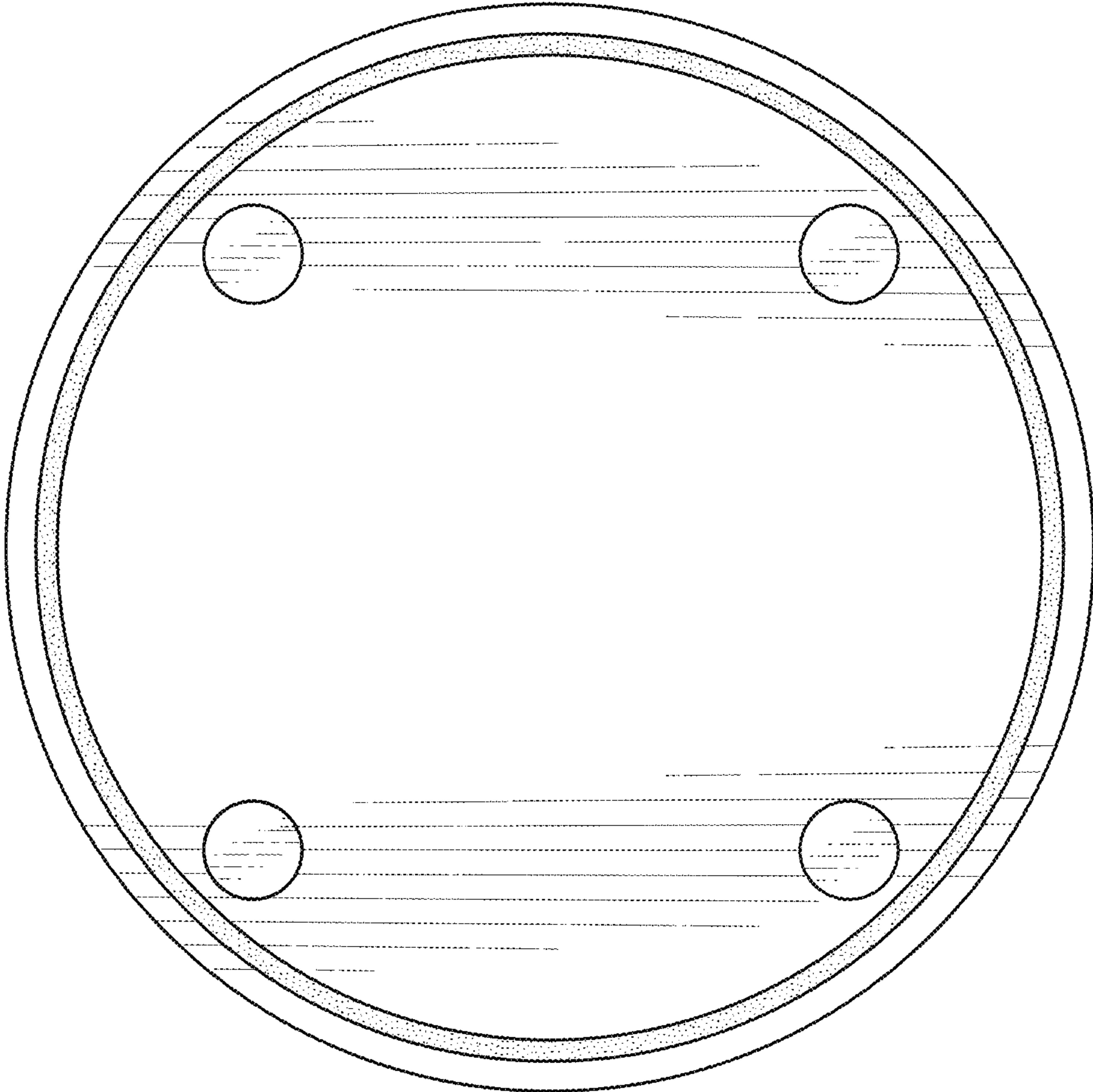


FIG. 3

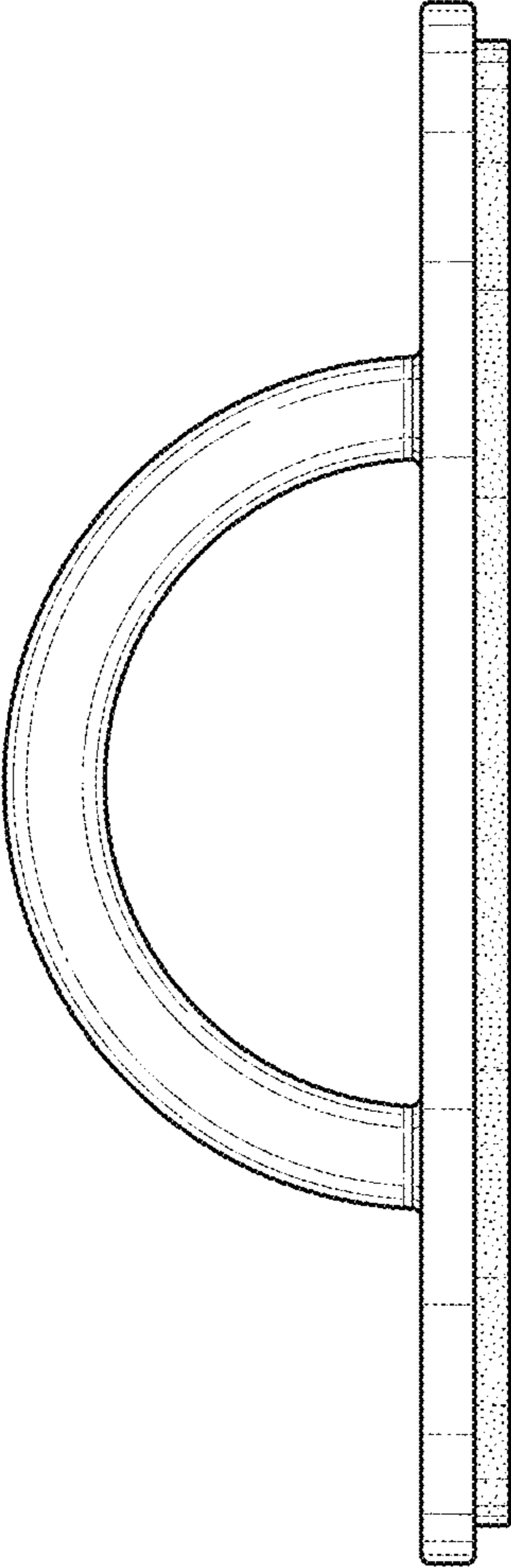


FIG. 4

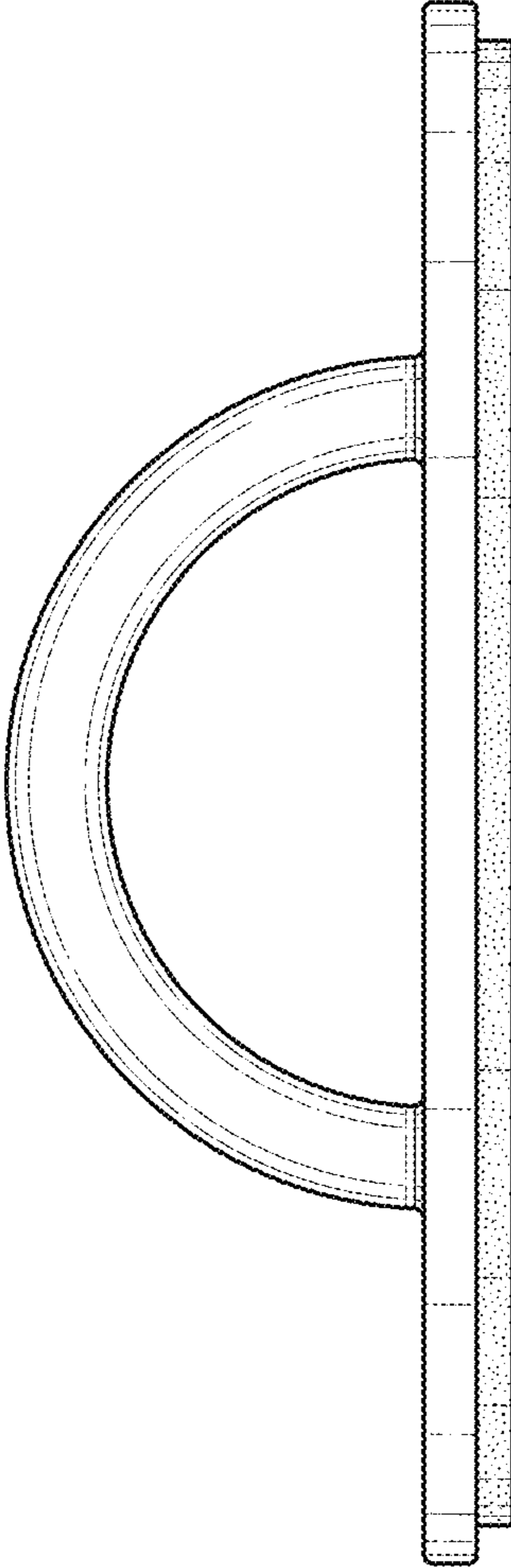


FIG. 5

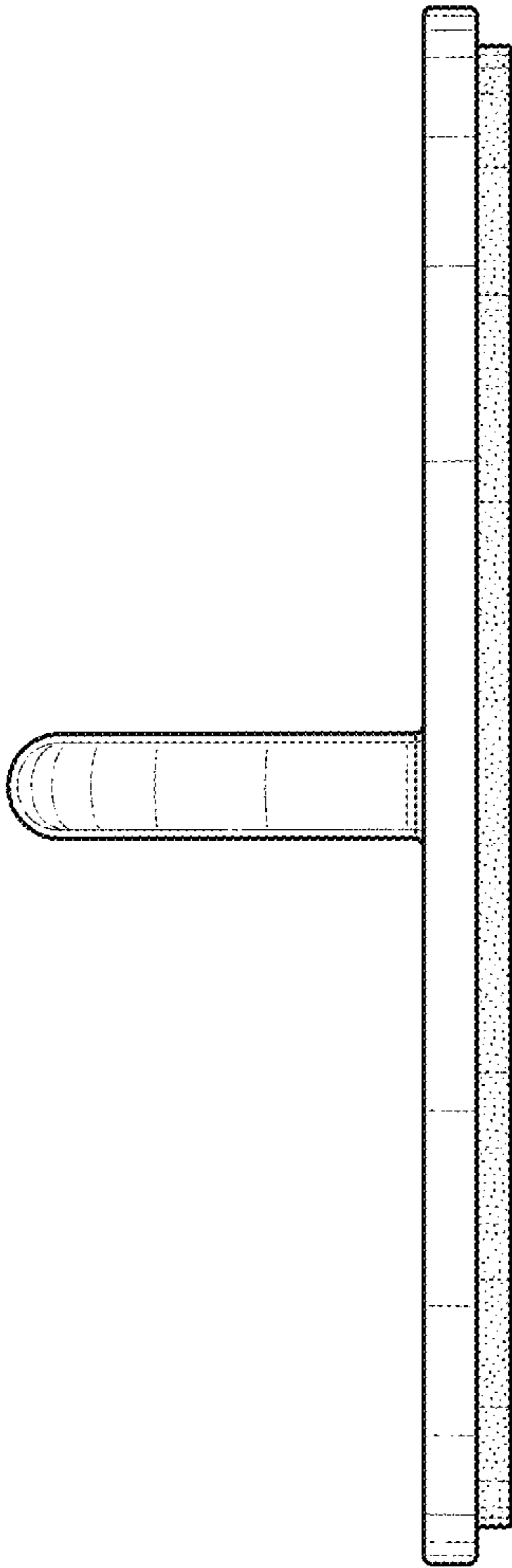


FIG. 6

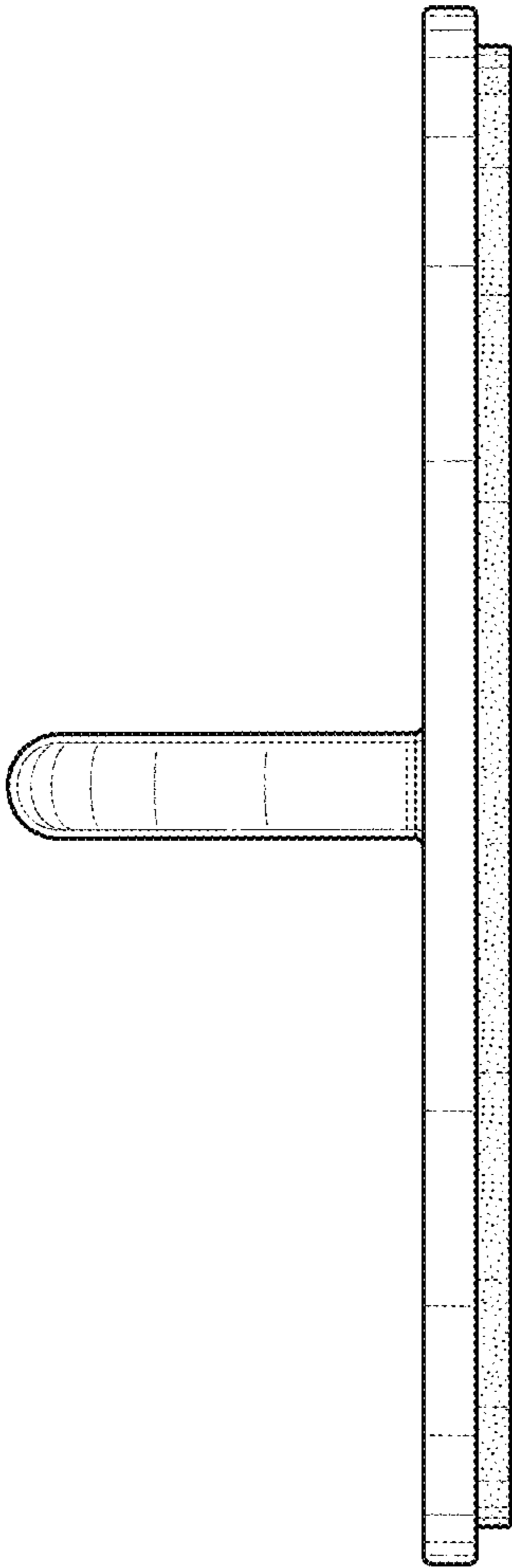


FIG. 7

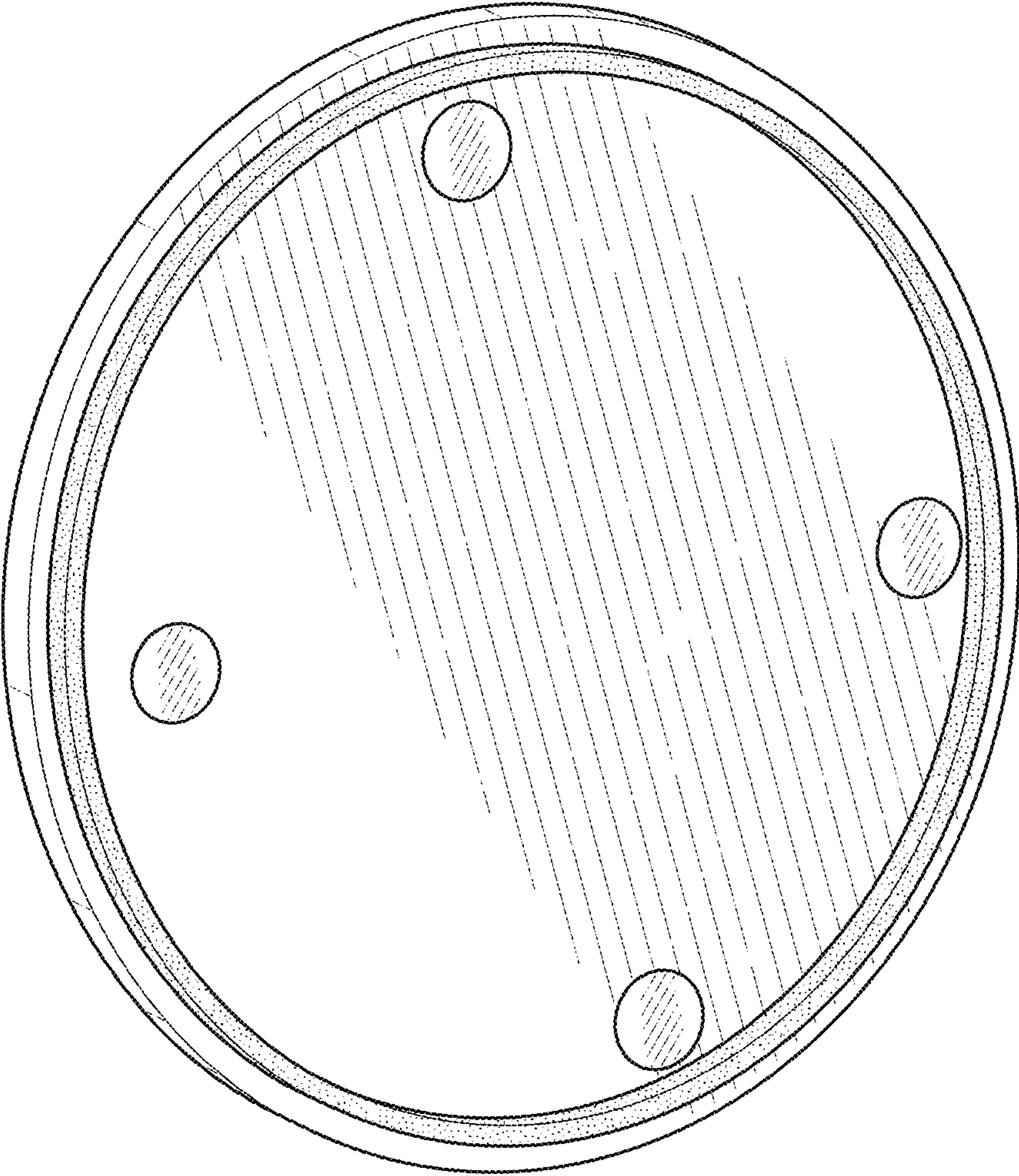


FIG. 8