



US00D819786S

(12) **United States Design Patent** (10) **Patent No.:** **US D819,786 S**  
**Kaule et al.** (45) **Date of Patent:** **\*\* Jun. 5, 2018**

(54) **FAUCET HANDLE**

(71) Applicant: **Kohler Co.**, Kohler, WI (US)

(72) Inventors: **Brian M. Kaule**, Yardley, PA (US);  
**Anna-Pia K. Slothower**, Mill Valley, CA (US)

(73) Assignee: **KOHLER CO.**, Kohler, WI (US)

(\*\*) Term: **15 Years**

(21) Appl. No.: **29/610,567**

(22) Filed: **Jul. 13, 2017**

**Related U.S. Application Data**

(62) Division of application No. 29/588,369, filed on Dec. 20, 2016, now Pat. No. Des. 795,396, which is a division of application No. 29/540,213, filed on Sep. 22, 2015, now Pat. No. Des. 786,404.

(51) **LOC (11) Cl.** ..... **23-01**

(52) **U.S. Cl.**  
USPC ..... **D23/252**

(58) **Field of Classification Search**  
USPC ..... D23/238–243, 249–250, 252, 254;  
D8/300, 307–308, 310  
CPC ..... Y10T 137/9464  
See application file for complete search history.

(56) **References Cited**

**U.S. PATENT DOCUMENTS**

2,971,520 A	2/1961	Motis
D420,726 S	2/2000	Slothower
D479,309 S	9/2003	Haug
6,738,996 B1	5/2004	Malek
D513,526 S	1/2006	Marshall

D520,114 S	5/2006	Starck
D532,486 S	11/2006	Barry
D541,384 S	4/2007	Citterio
7,380,731 B1	6/2008	Hsu
D605,260 S	12/2009	Allard
D651,284 S	12/2011	Flowers
D655,398 S	3/2012	Bosio
D698,903 S	2/2014	Gilbert
D704,803 S	5/2014	Hashimoto
D721,164 S	1/2015	Georgeson
D767,726 S	9/2016	Mazz
D786,404 S	5/2017	Kaule
D786,409 S	5/2017	Rexach
2004/0112985 A1	6/2004	Malek

*Primary Examiner* — Robert A Delehanty

(74) *Attorney, Agent, or Firm* — Foley & Lardner LLP

(57) **CLAIM**

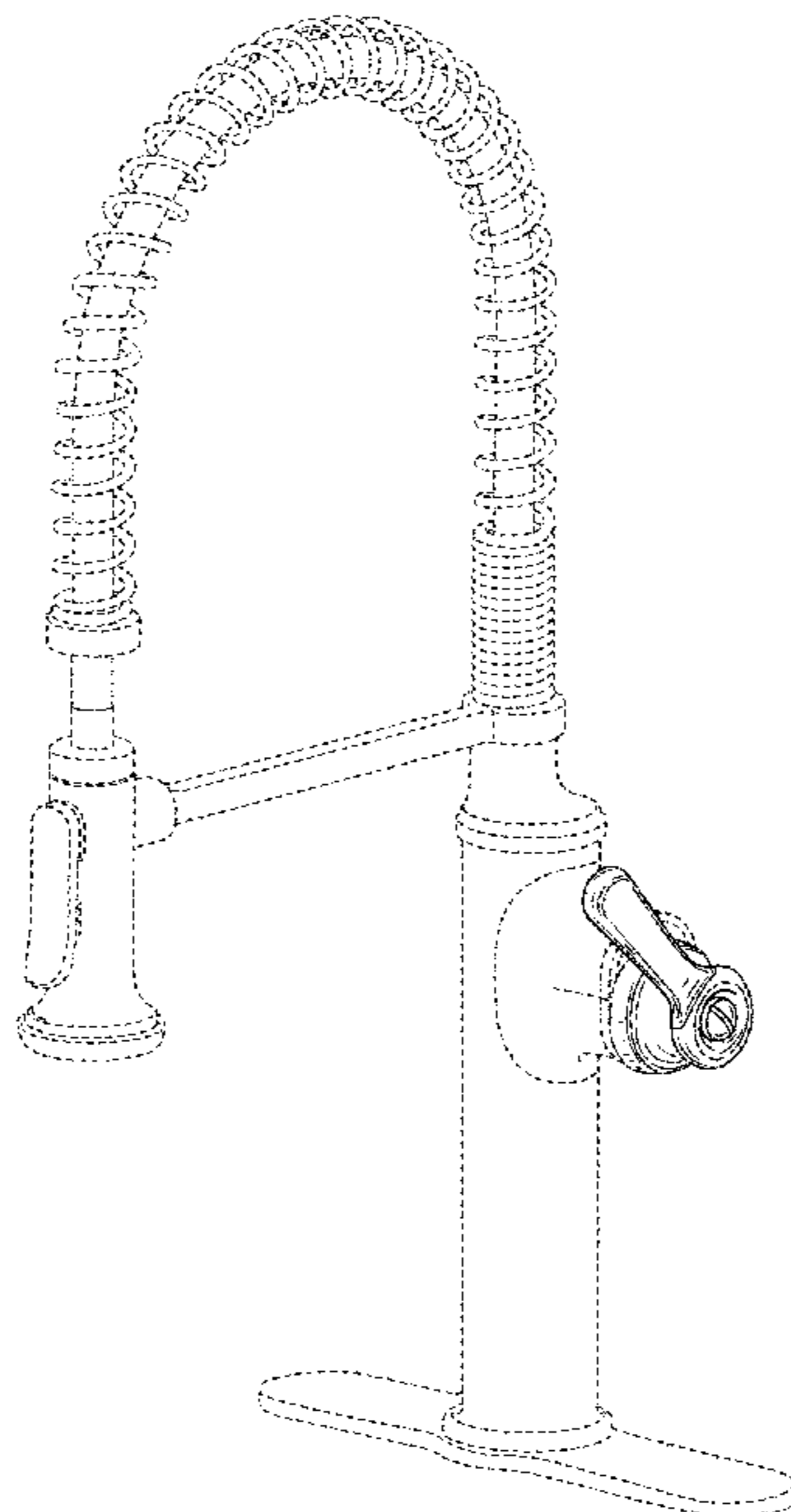
I claim the ornamental design for a faucet handle, as shown and described.

**DESCRIPTION**

FIG. 1 is a top, front, right perspective view of an embodiment of the claimed design;  
 FIG. 2 is a front elevation view thereof;  
 FIG. 3 is a rear elevation view thereof;  
 FIG. 4 is a right side elevation view thereof;  
 FIG. 5 is a left side elevation view thereof;  
 FIG. 6 is a top plan view thereof; and,  
 FIG. 7 is a bottom plan view thereof.

The ornamental design which is claimed is shown in solid lines in the drawings. The broken lines in the drawings form no part of the claimed design. Broken lines formed by equal length dashes show unclaimed subject matter. Broken lines formed of unequal length dashes (i.e., dash-dot) define bounds of the claimed design.

**1 Claim, 7 Drawing Sheets**



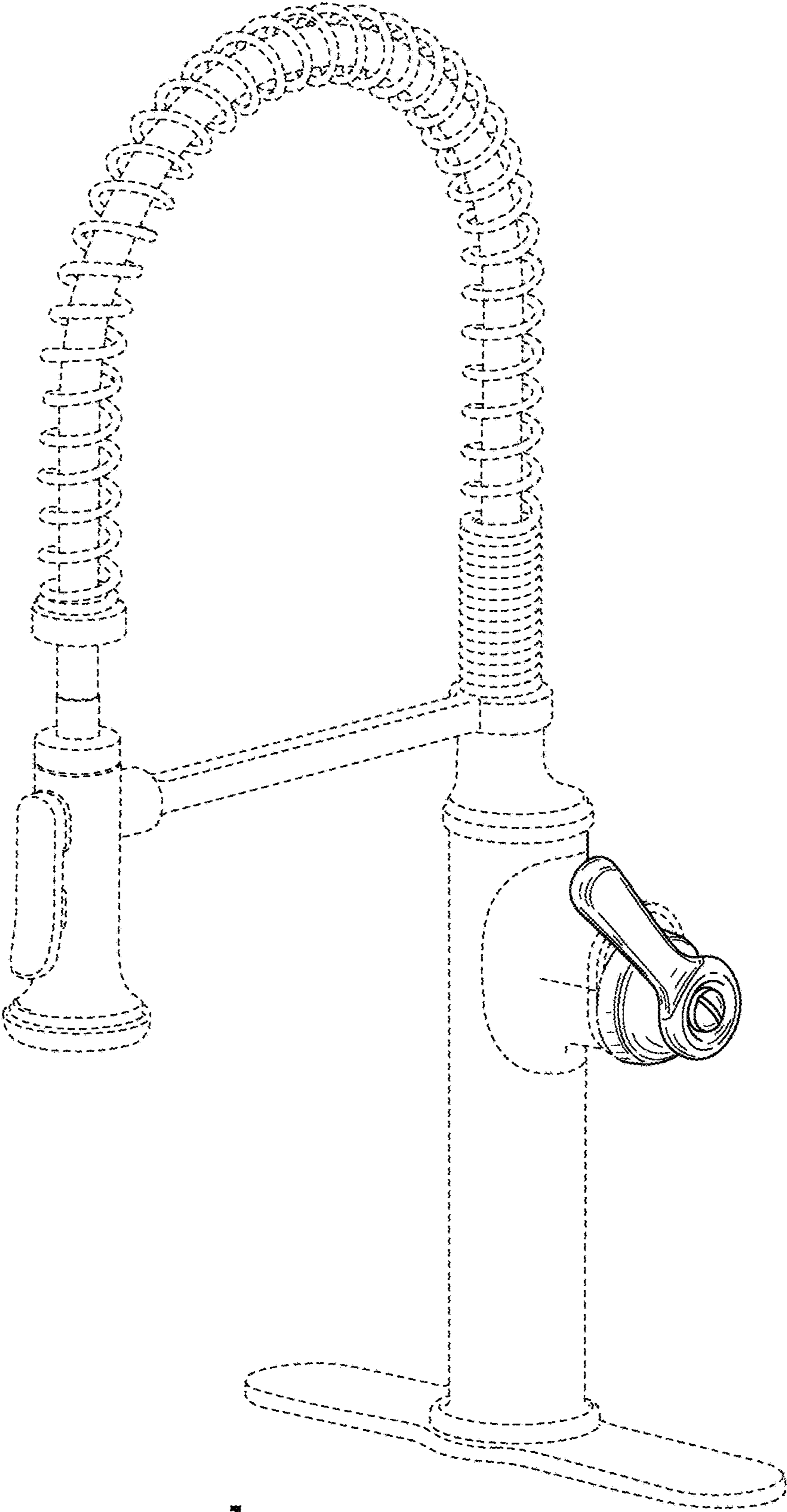


FIG. 1

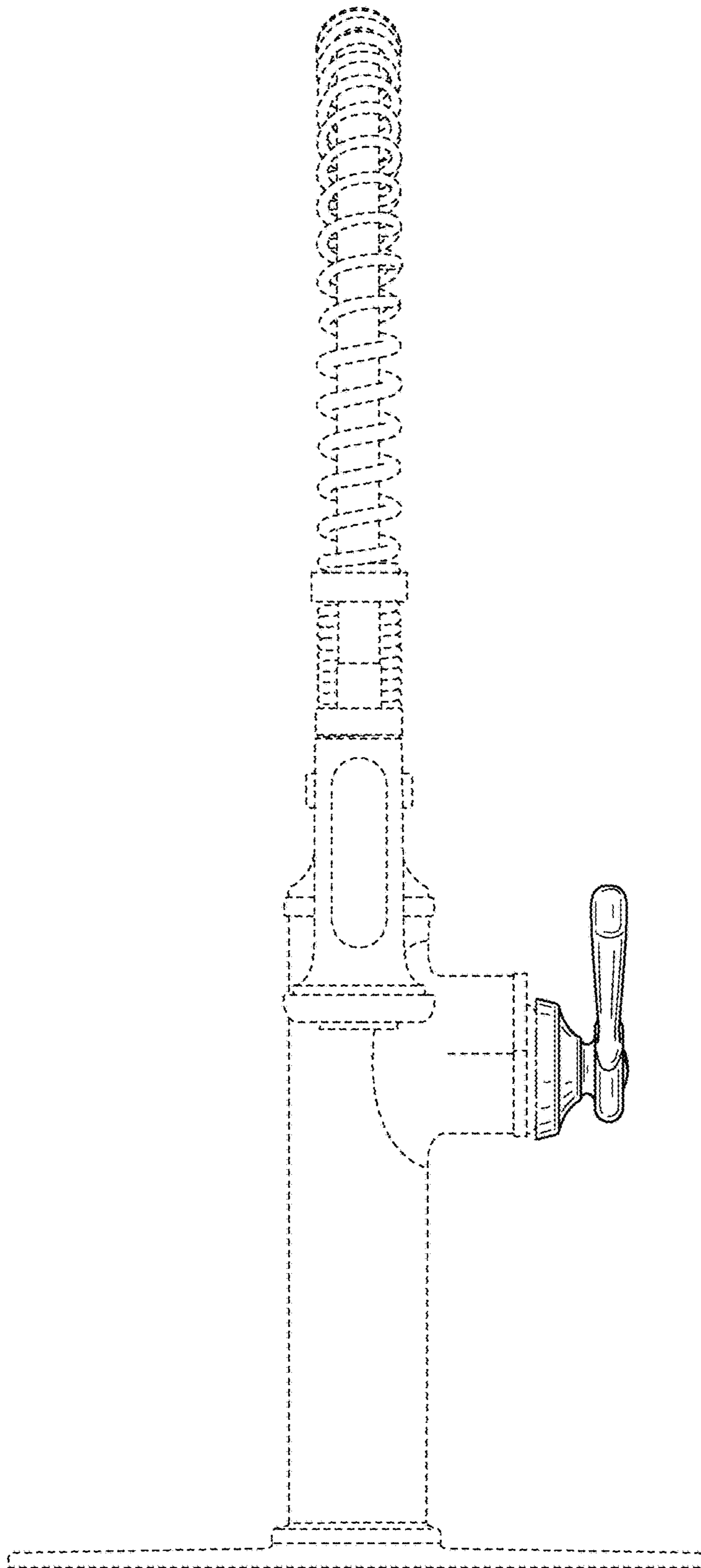
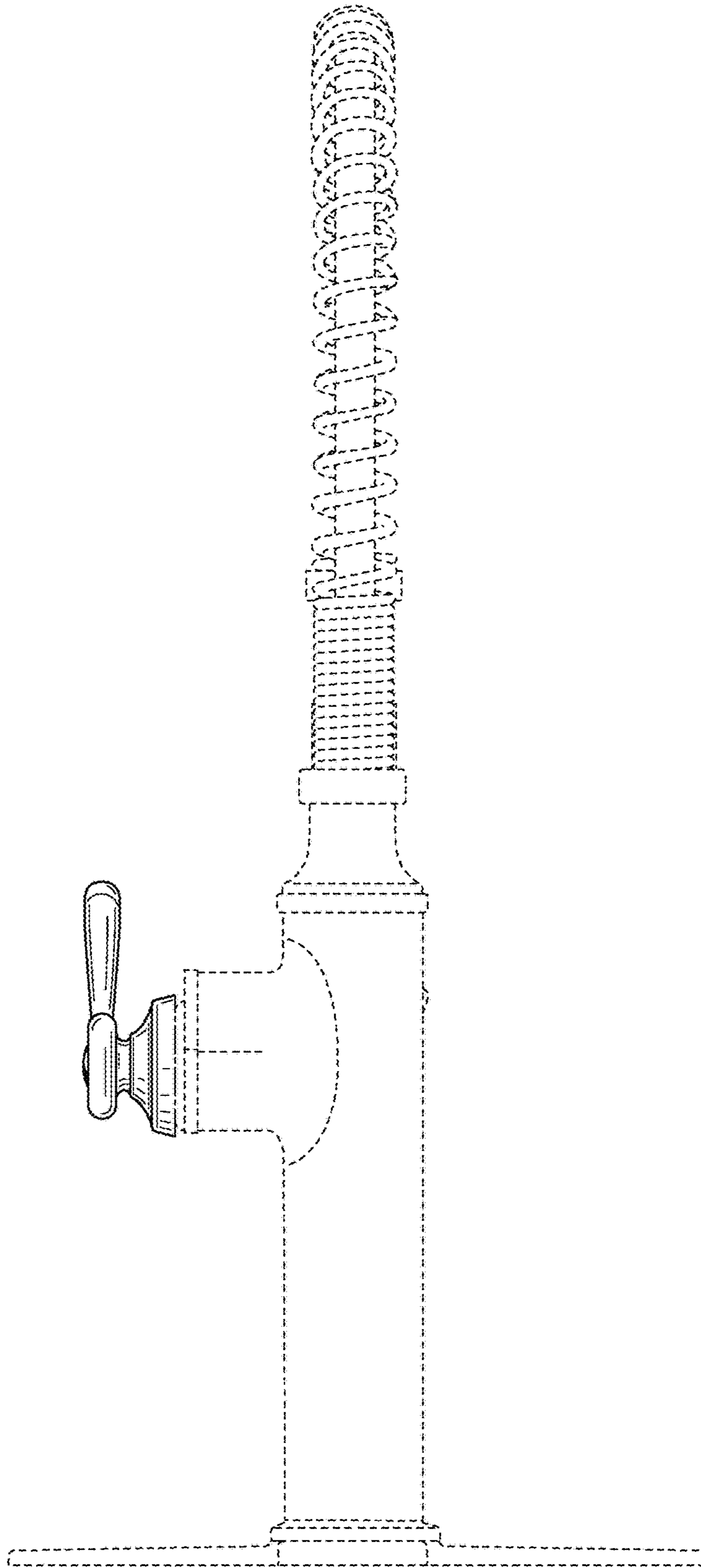


FIG. 2



**FIG. 3**

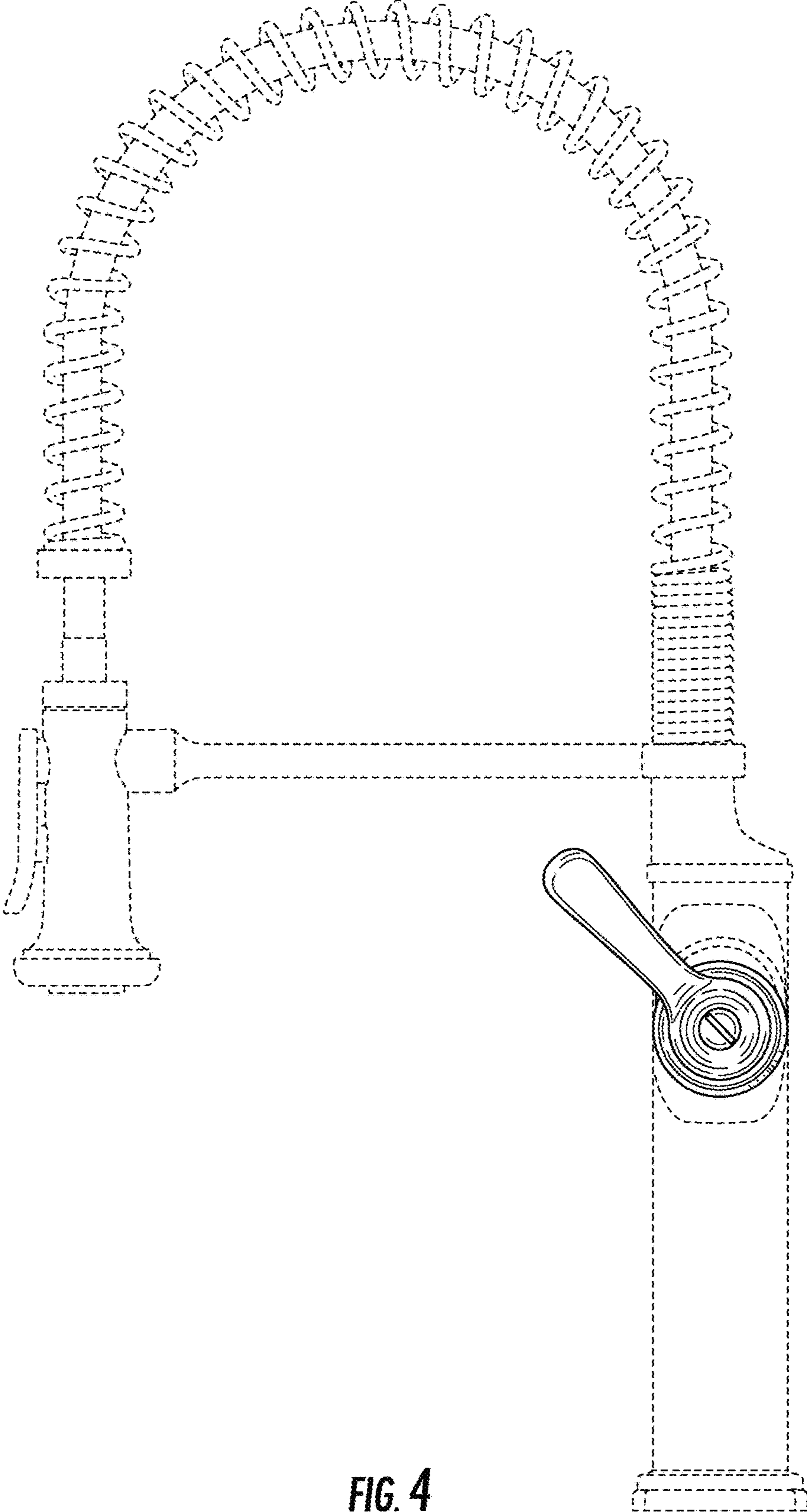


FIG. 4

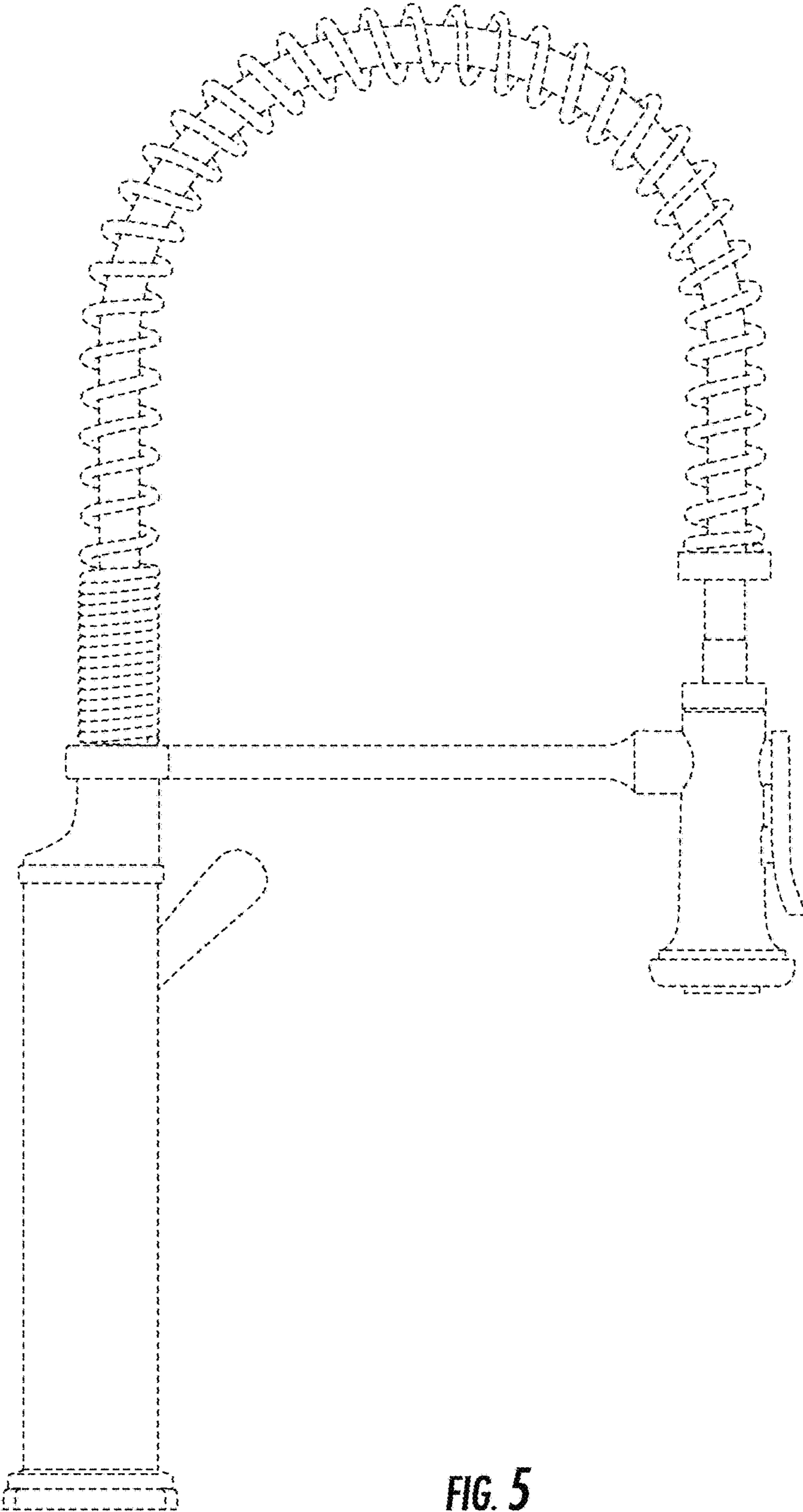
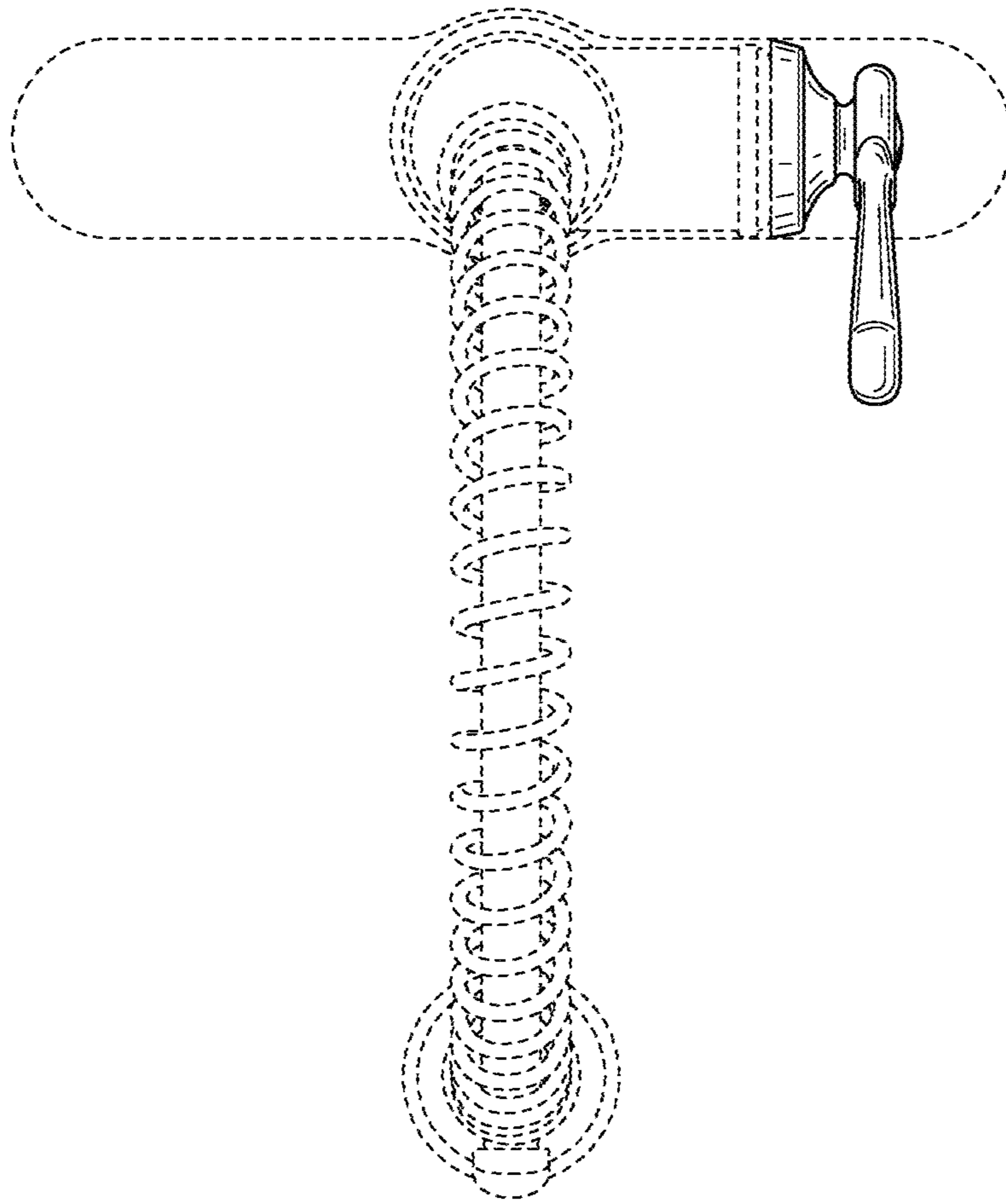
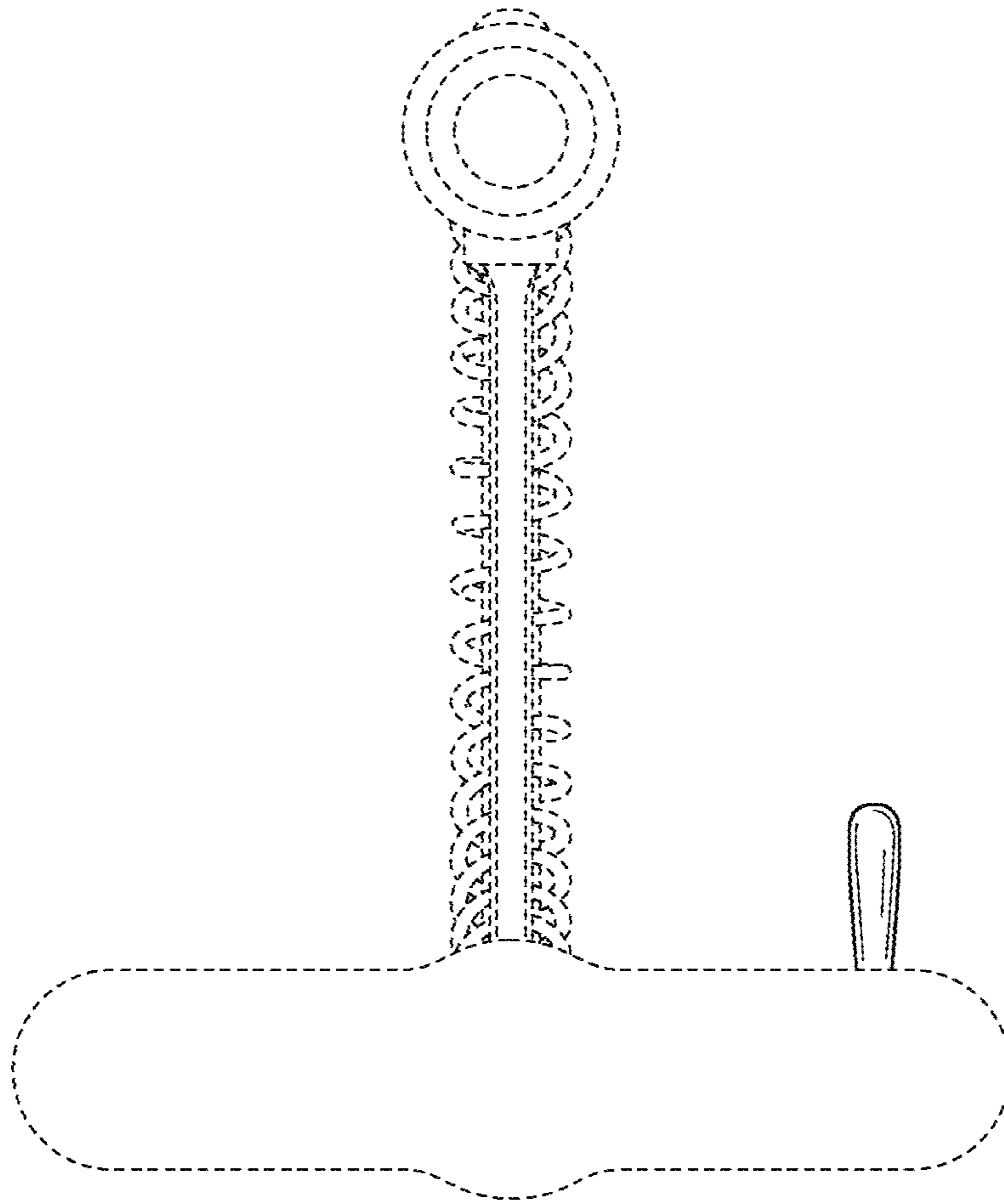


FIG. 5



**FIG. 6**



**FIG. 7**