



US00D819785S

(12) **United States Design Patent**  
**Scott**

(10) **Patent No.:** **US D819,785 S**  
(45) **Date of Patent:** **\*\* Jun. 5, 2018**

(54) **VOLATILE LIQUID REFUELING PROBE**

2016/0138746 A1\* 5/2016 Trent ..... F16L 37/23  
251/148

(71) Applicant: **Steven Richard Scott**, Curfew, WA  
(US)

\* cited by examiner

(72) Inventor: **Steven Richard Scott**, Curfew, WA  
(US)

*Primary Examiner* — Cynthia Ramirez

*Assistant Examiner* — Gino Colan

(73) Assignee: **Motion Pro, INC.**, Loomis, CA (US)

(74) *Attorney, Agent, or Firm* — Larry B. Guernsey;  
Patent Law Office of Larry Guernsey

(\*\*) Term: **15 Years**

(57) **CLAIM**

(21) Appl. No.: **29/595,910**

The ornamental design for a volatile liquid refueling probe,  
as shown and described.

(22) Filed: **Mar. 2, 2017**

(51) **LOC (11) Cl.** ..... **23-01**

**DESCRIPTION**

(52) **U.S. Cl.**

USPC ..... **D23/249**

(58) **Field of Classification Search**

USPC ..... D23/233, 235, 237, 243, 249; 251/144,  
251/149.9, 89.5, 148, 339; 285/277, 315,  
285/87; 200/339; 137/614.06, 614.03,  
137/614.05, 528, 614.01

CPC ..... F16K 27/07; F16K 17/30; F16K 21/04;  
F16K 31/143

See application file for complete search history.

FIG. 1 is a top plan view of an ornamental design for a  
volatile liquid refueling probe of the present invention;  
FIG. 2 is a front view of an ornamental design for a volatile  
liquid refueling probe of the present invention;  
FIG. 3 is a left side view of an ornamental design for a  
volatile liquid refueling probe of the present invention;  
FIG. 4 is a rear view of an ornamental design for a volatile  
liquid refueling probe of the present invention;  
FIG. 5 is a right side view of an ornamental design for a  
volatile liquid refueling probe of the present invention;  
FIG. 6 is a bottom plan view of an ornamental design for a  
volatile liquid refueling probe of the present invention;  
FIG. 7 is an upper front end isometric view of an ornamental  
design for a volatile liquid refueling probe of the present  
invention; and,  
FIG. 8 is a lower rear end isometric view of an ornamental  
design for a volatile liquid refueling probe of the present  
invention.

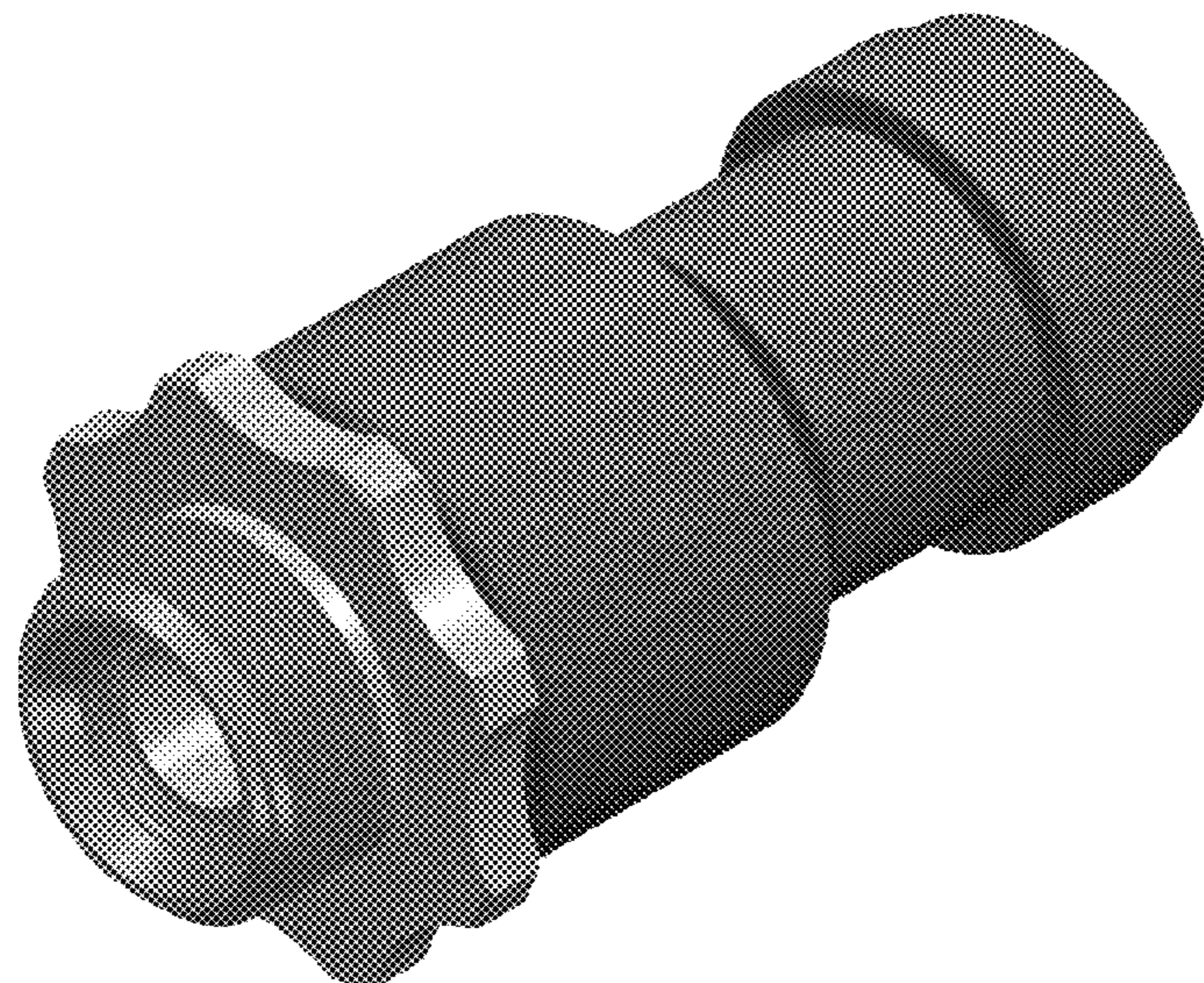
The broken lines shown in the figure are included for the  
purpose of illustrating portions of the volatile liquid refuel-  
ing probe that form no part of the claimed design.

(56) **References Cited**

U.S. PATENT DOCUMENTS

4,271,865	A *	6/1981	Galloway	.....	F16L 37/101 137/614.06
4,995,588	A *	2/1991	Nichols	.....	B67D 7/0294 251/144
5,026,099	A *	6/1991	Hendrix	.....	F16L 37/138 285/277
5,067,752	A *	11/1991	Maiville	.....	F16L 25/01 200/339
5,095,946	A *	3/1992	McLennan	.....	F16L 29/00 137/614.01

**1 Claim, 8 Drawing Sheets**



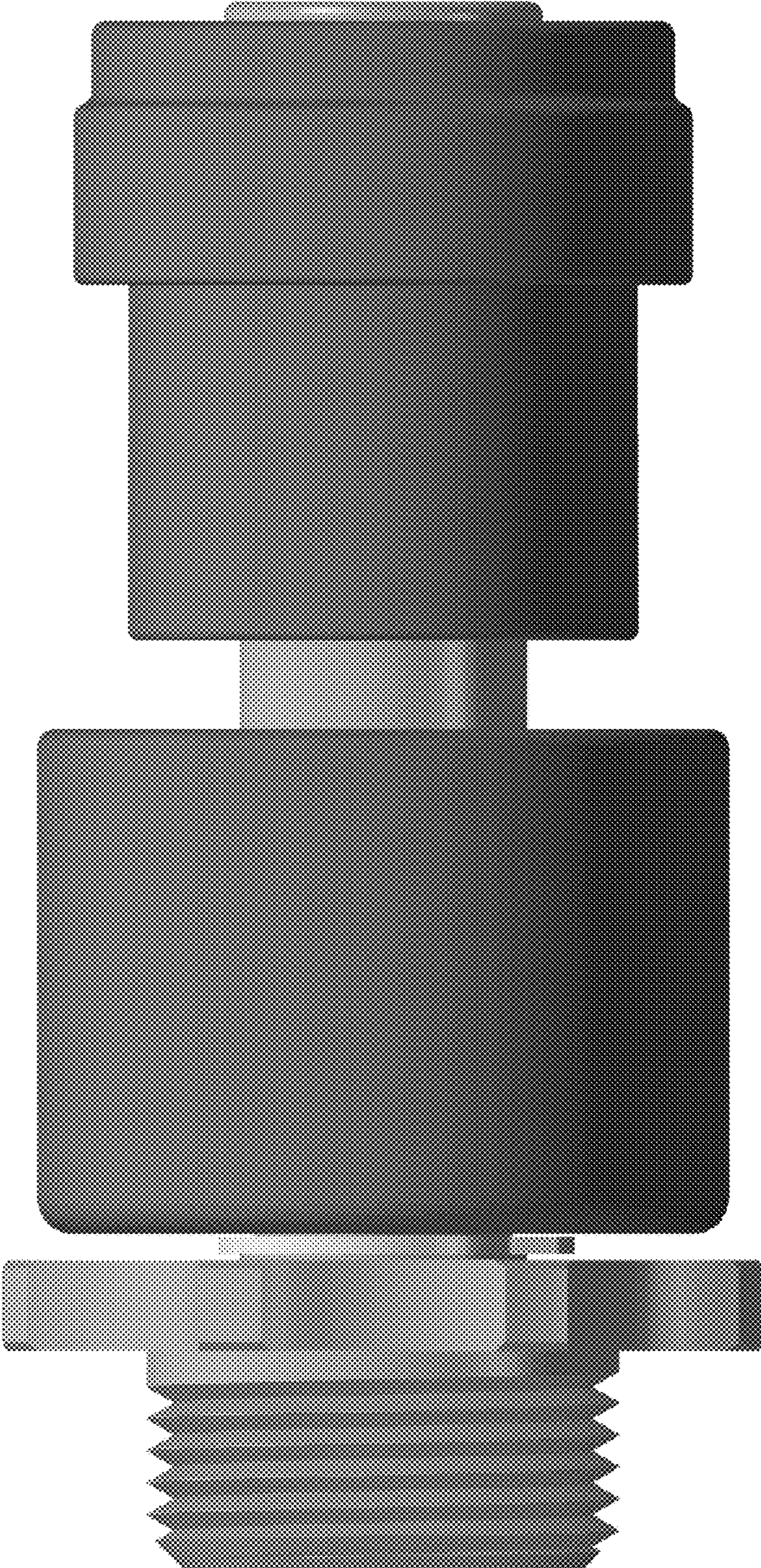


FIGURE 1

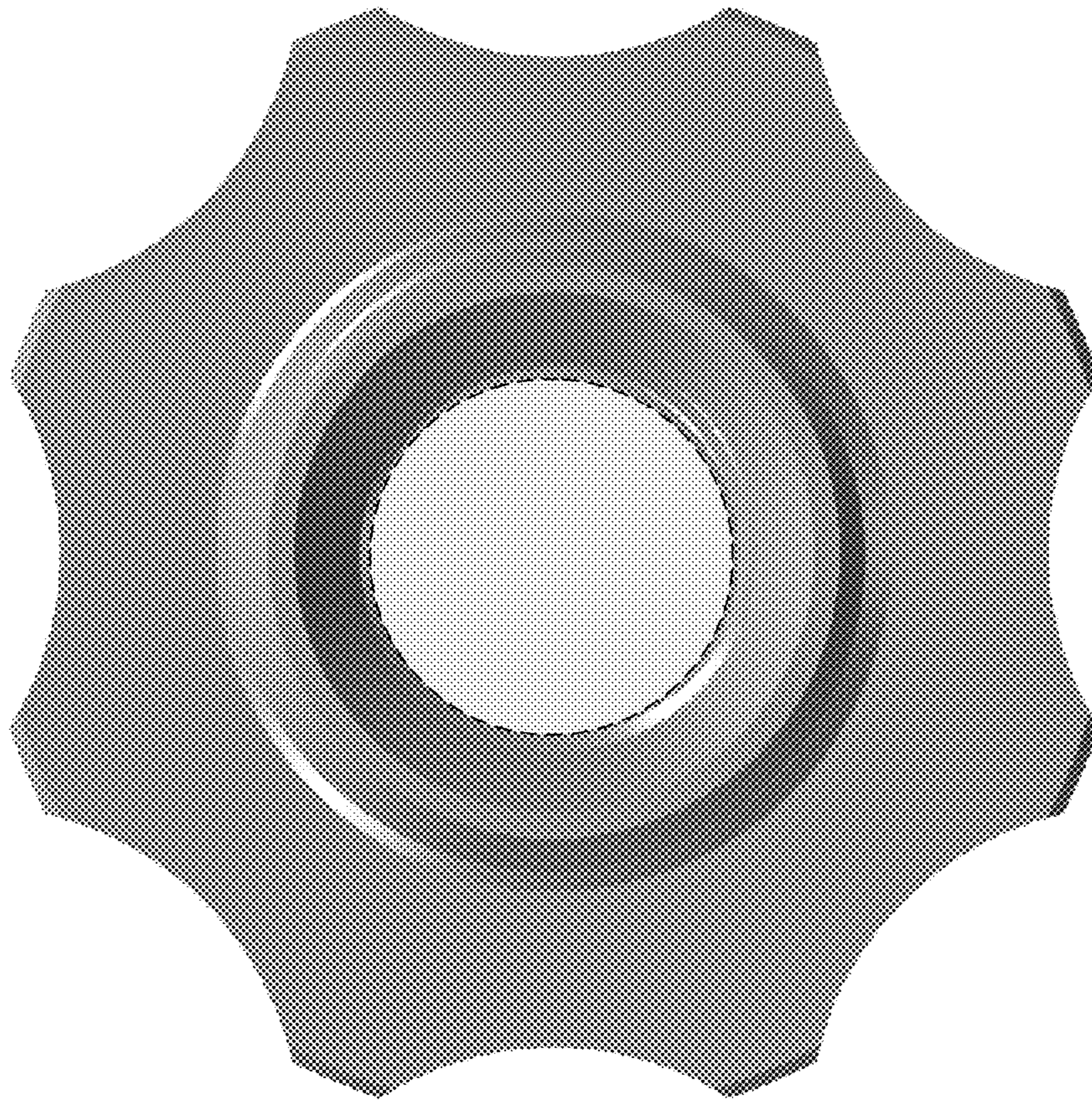


FIGURE 2

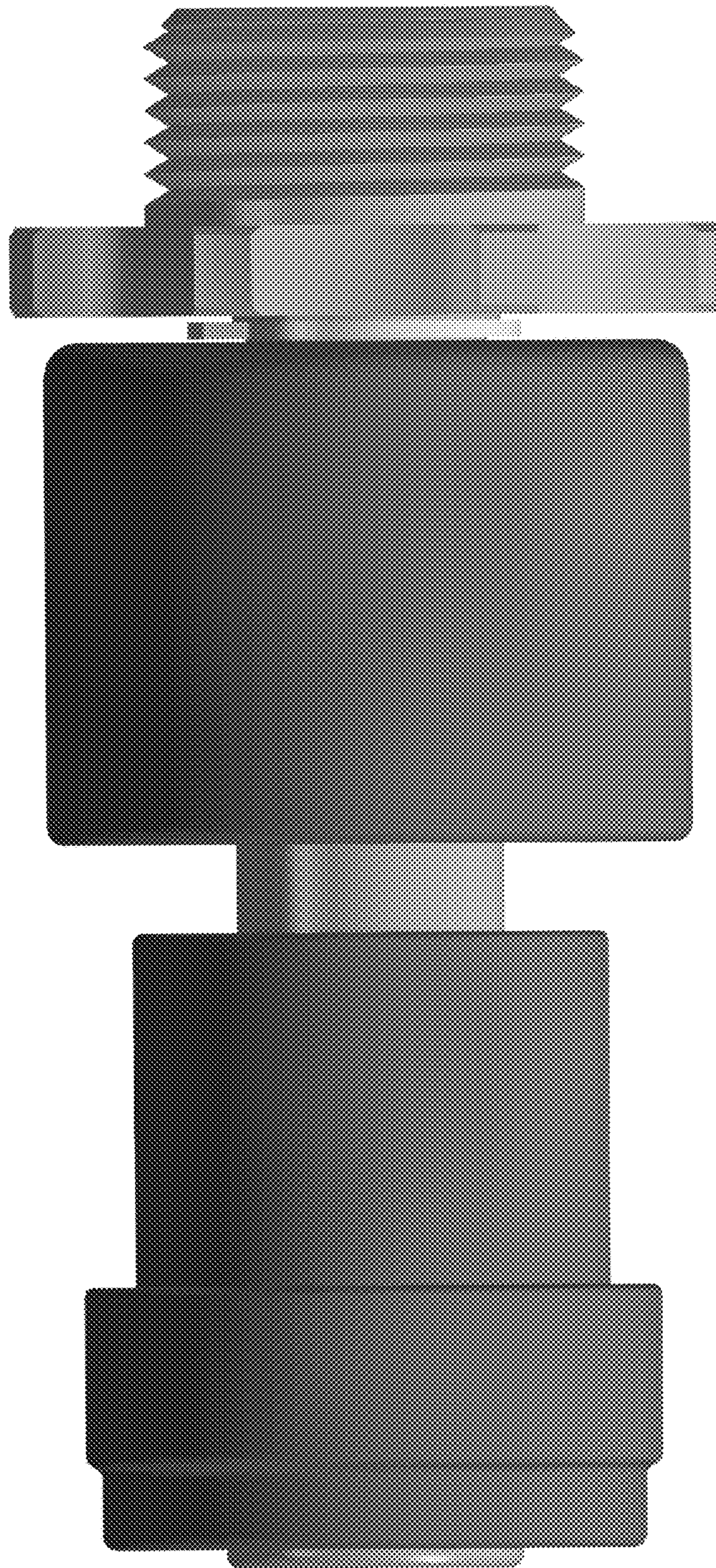


FIGURE 3



FIGURE 4

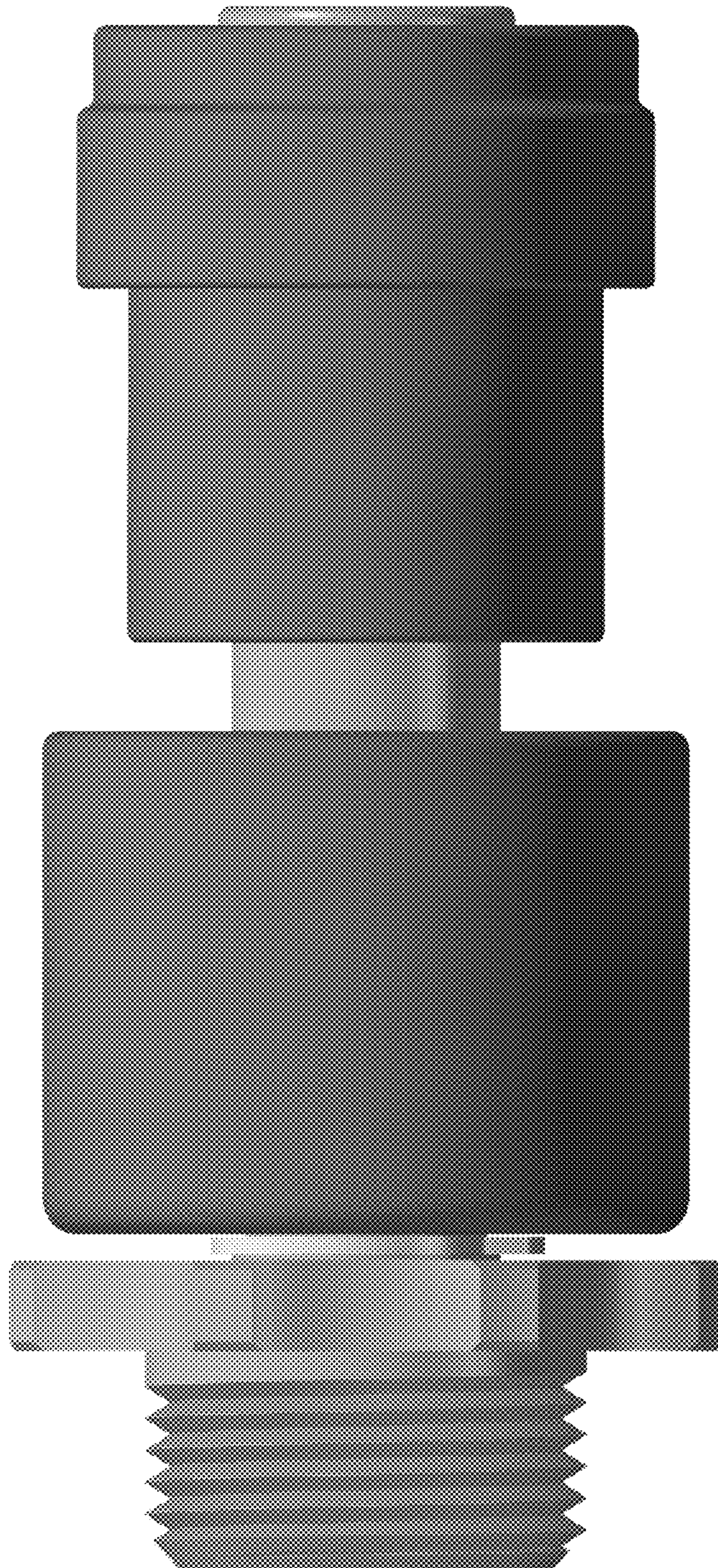


FIGURE 5

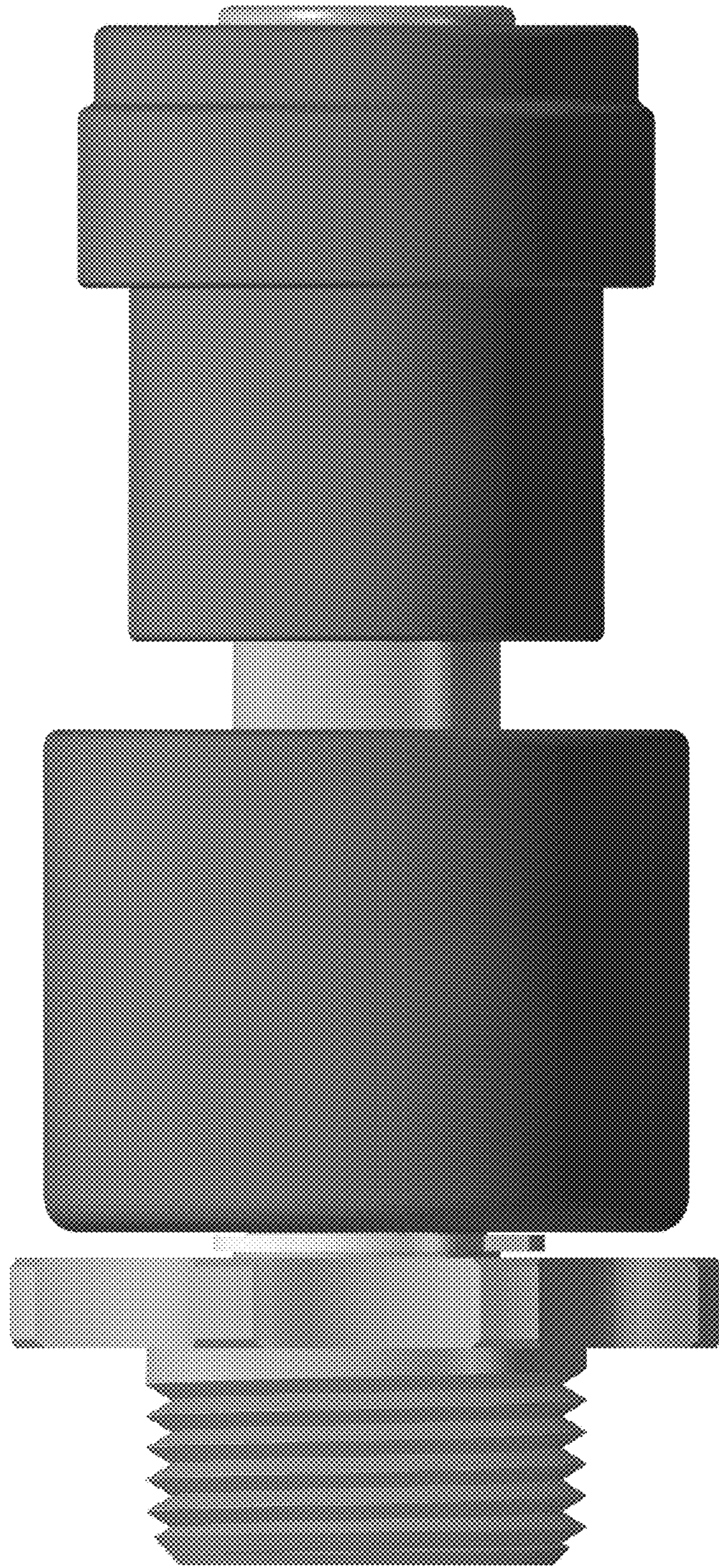


FIGURE 6



FIGURE 7



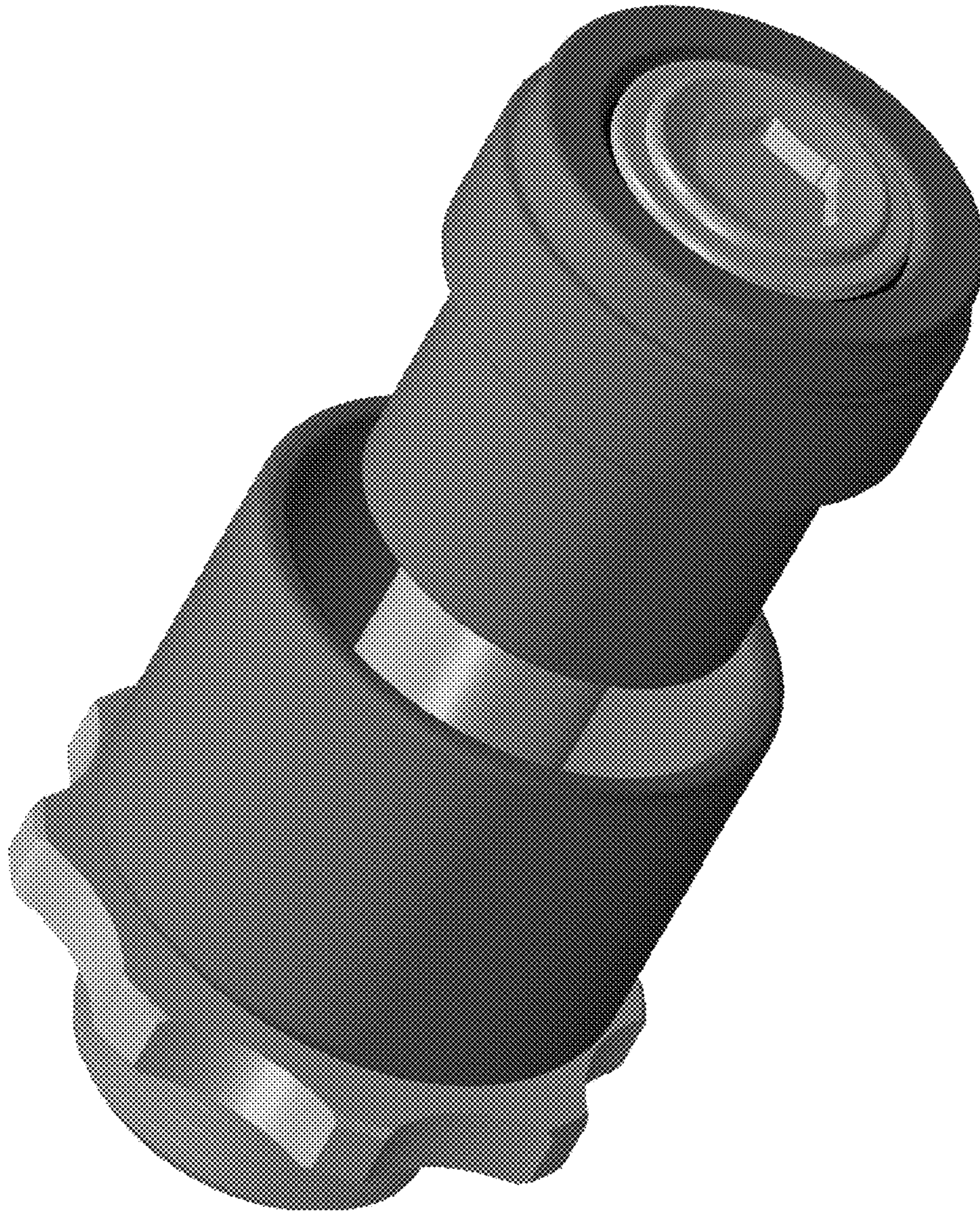


FIGURE 8