



US00D819784S

(12) **United States Design Patent**  
**Teraki et al.**

(10) **Patent No.:** **US D819,784 S**  
(45) **Date of Patent:** **\*\* Jun. 5, 2018**

(54) **AIR BLOW GUN**

(71) Applicant: **Koganei Corporation**, Koganei-shi,  
Tokyo (JP)

(72) Inventors: **Koichi Teraki**, Koganei (JP); **Yoshihiro Furukawa**, Koganei (JP)

(73) Assignee: **Koganei Corporation**, Tokyo (JP)

(\*\*) Term: **15 Years**

(21) Appl. No.: **29/589,109**

(22) Filed: **Dec. 28, 2016**

(30) **Foreign Application Priority Data**

Oct. 6, 2016 (JP) ..... 2016-021872  
Oct. 6, 2016 (JP) ..... 2016-021873

(51) **LOC (11) Cl.** ..... **23-01**

(52) **U.S. Cl.**  
USPC ..... **D23/226**

(58) **Field of Classification Search**  
USPC ..... D23/213, 223, 226, 225; 239/525, 526,  
239/291  
CPC ..... B05B 1/00; B05B 9/01; B05B 15/061;  
B05B 3/00; B05B 5/00; B05B 1/005;  
B05B 13/005; B05B 1/3026  
See application file for complete search history.

(56) **References Cited**

**U.S. PATENT DOCUMENTS**

3,674,214 A \* 7/1972 Brown ..... B05B 1/005  
239/459  
6,213,411 B1 \* 4/2001 Jou ..... F16L 47/24  
239/526

D552,214 S \* 10/2007 Jou ..... D23/226  
D565,153 S \* 3/2008 Downey ..... D23/223  
D582,511 S \* 12/2008 Downey ..... D23/223  
D691,700 S \* 10/2013 Michael ..... D23/226  
D767,720 S \* 9/2016 Tiberghien ..... D23/226

\* cited by examiner

*Primary Examiner* — Robin V Webster

(74) *Attorney, Agent, or Firm* — McCormick, Paulding & Huber LLP

(57) **CLAIM**

The ornamental design for an air blow gun, as shown and described.

**DESCRIPTION**

FIG. 1 is a perspective view of an air blow gun comprising a new, original and ornamental design;  
FIG. 2 is a front view thereof;  
FIG. 3 is a rear view thereof;  
FIG. 4 is a top view thereof;  
FIG. 5 is a bottom view thereof;  
FIG. 6 is a right side view thereof;  
FIG. 7 is a left side view thereof;  
FIG. 8 is a perspective view thereof shown with environment;  
FIG. 9 is a front view thereof;  
FIG. 10 is a rear view thereof;  
FIG. 11 is a top view thereof;  
FIG. 12 is a bottom view thereof;  
FIG. 13 is a right side view thereof; and,  
FIG. 14 is a left side view thereof.  
The broken line portions of an air blow gun are shown to illustrate environment only and form no part of claimed design.

**1 Claim, 12 Drawing Sheets**

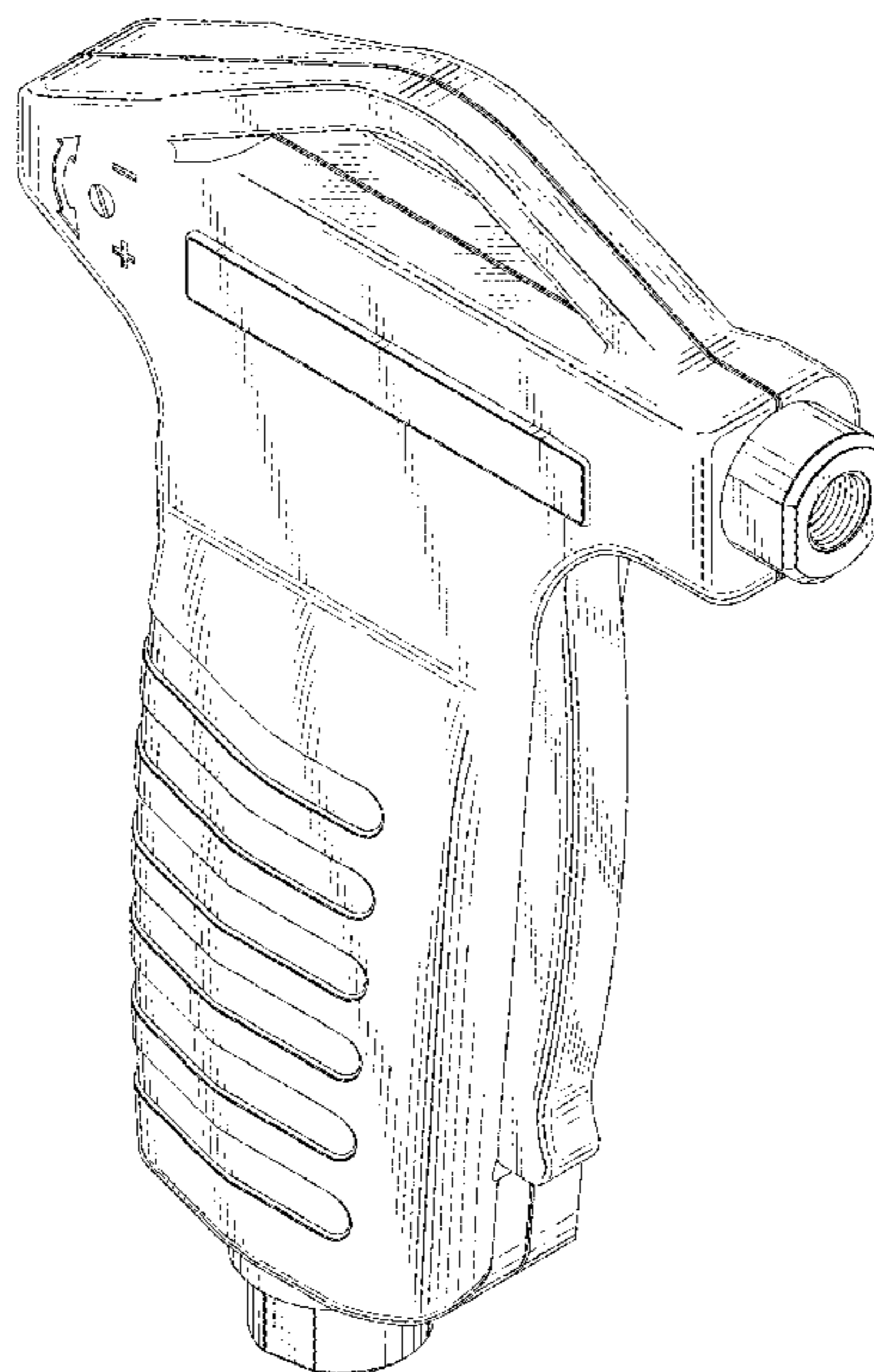


FIG. 1

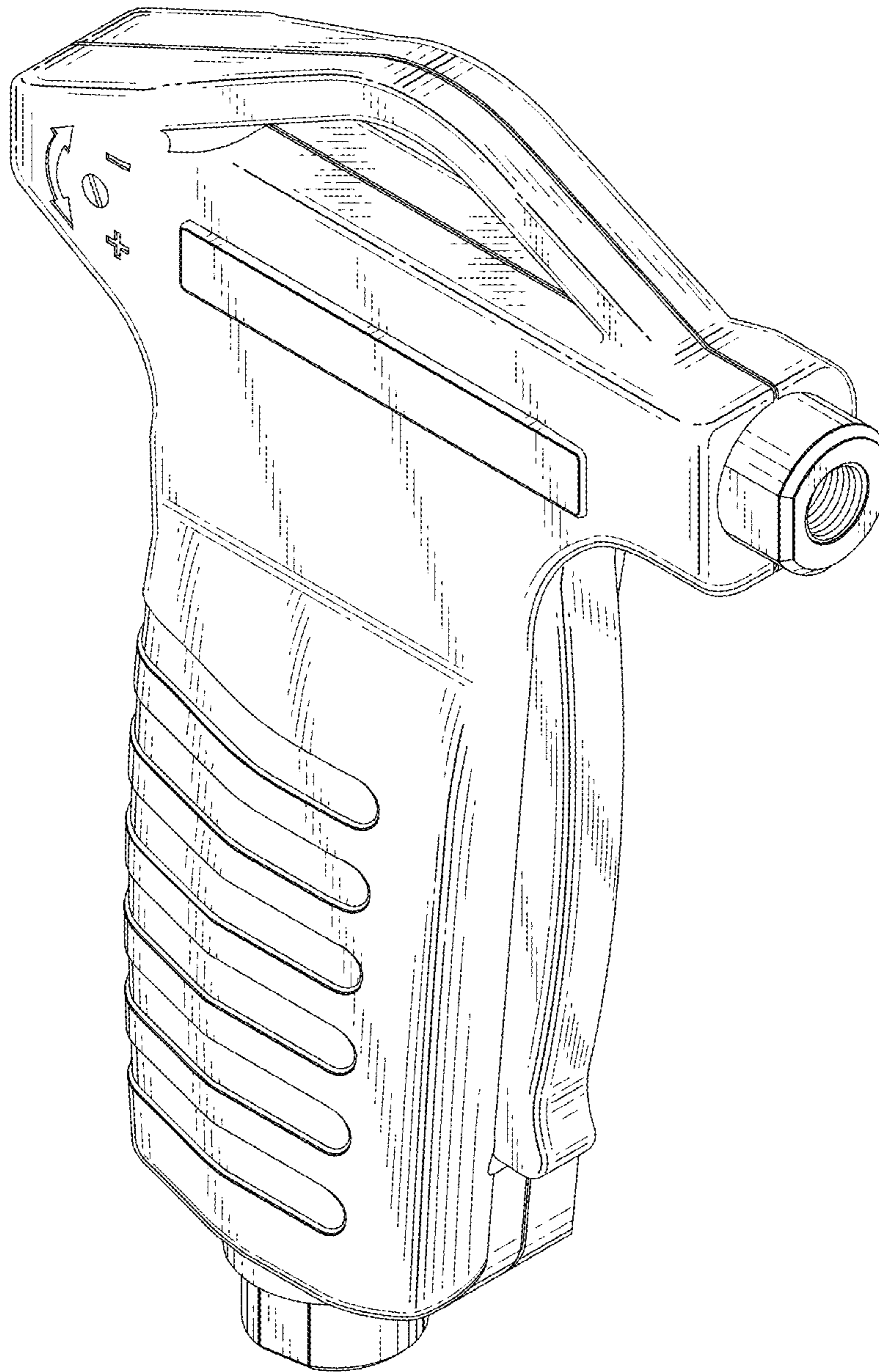


FIG. 2

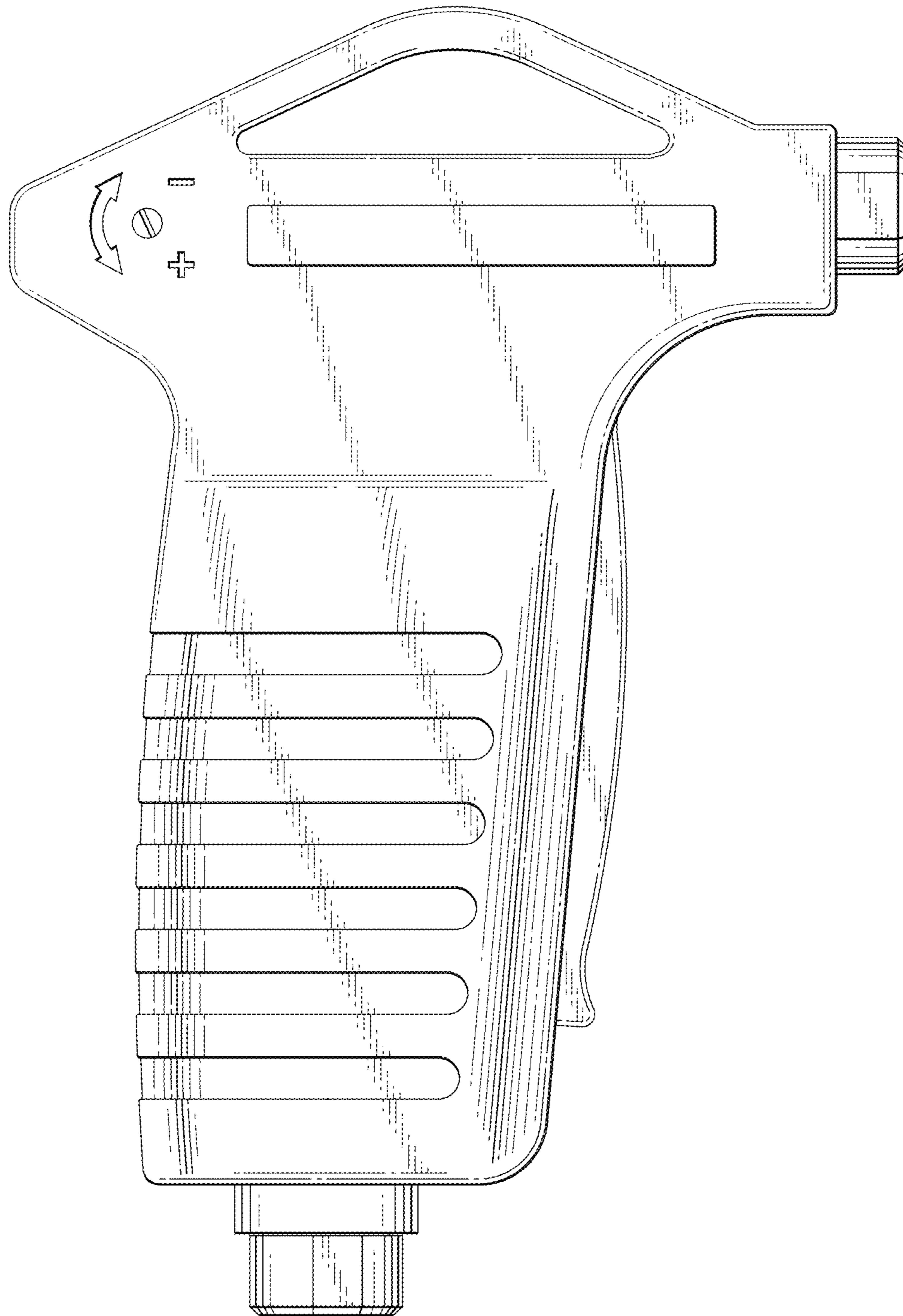




FIG. 3

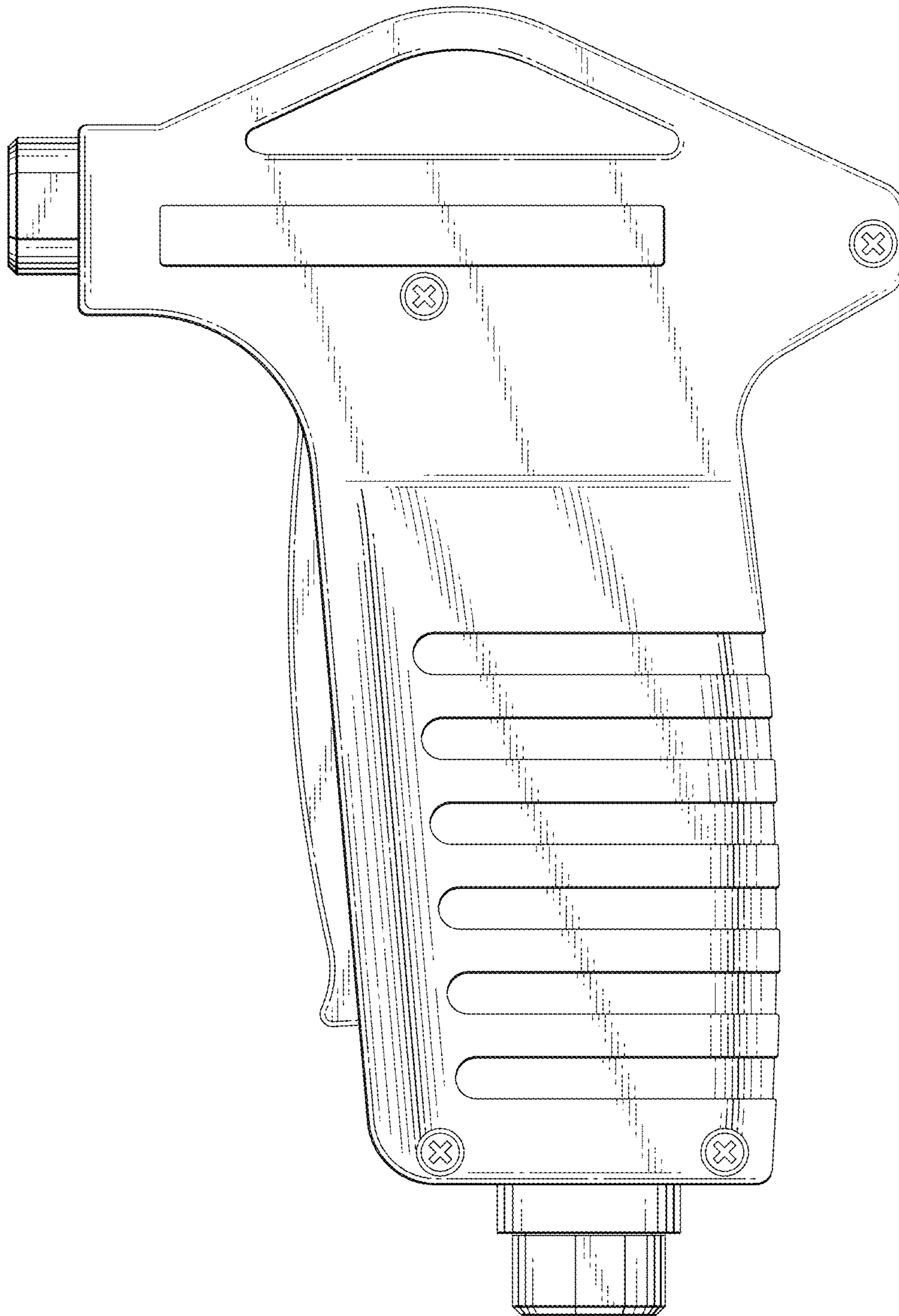


FIG. 4

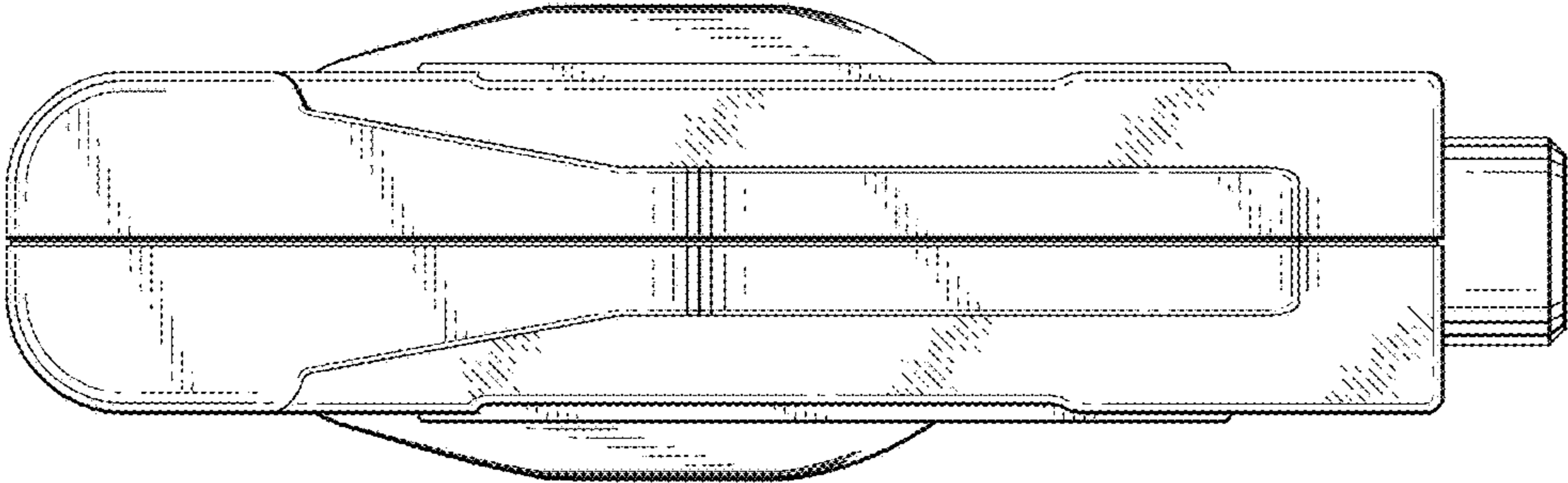


FIG. 5

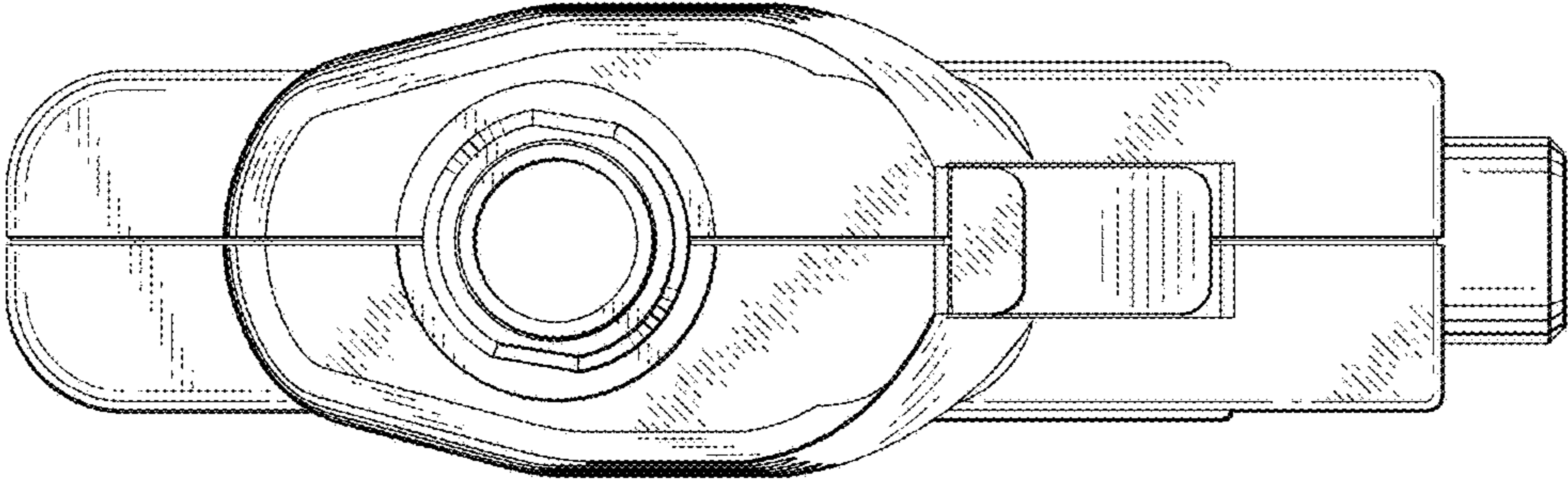


FIG. 6

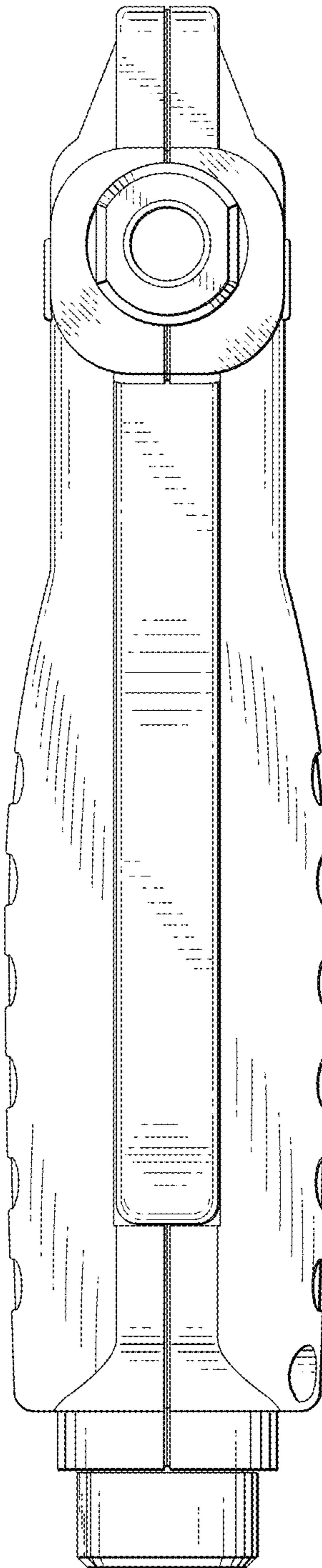


FIG. 7

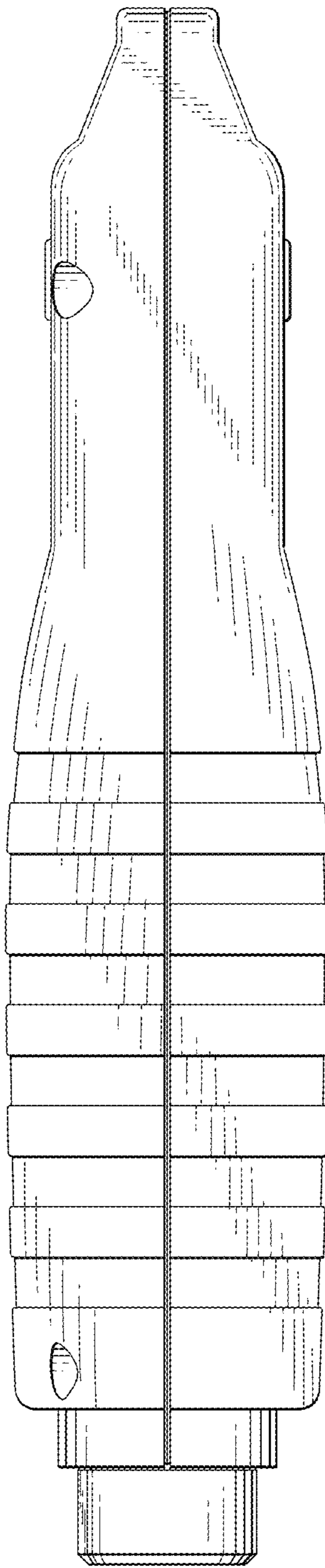


FIG. 8

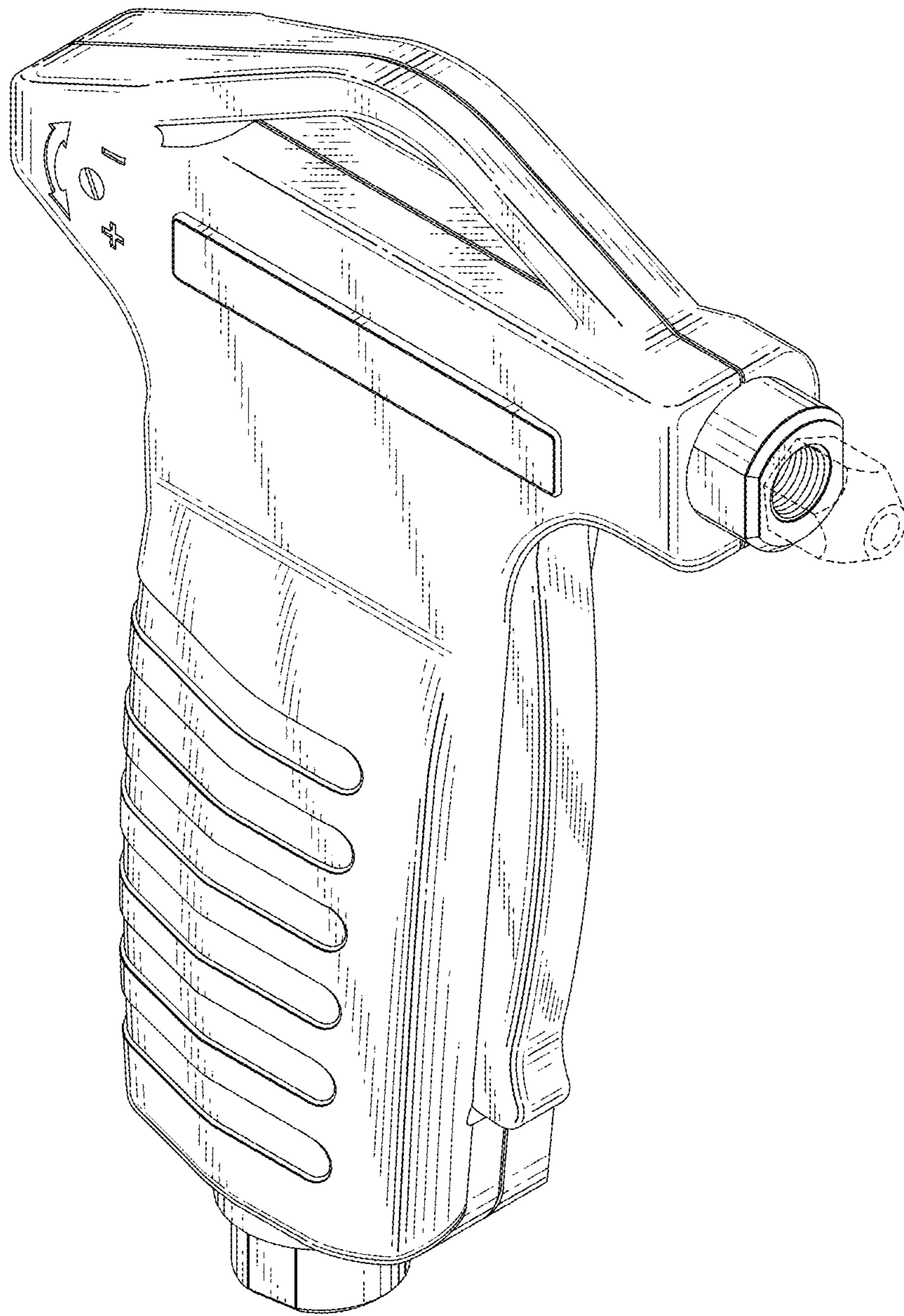




FIG. 9

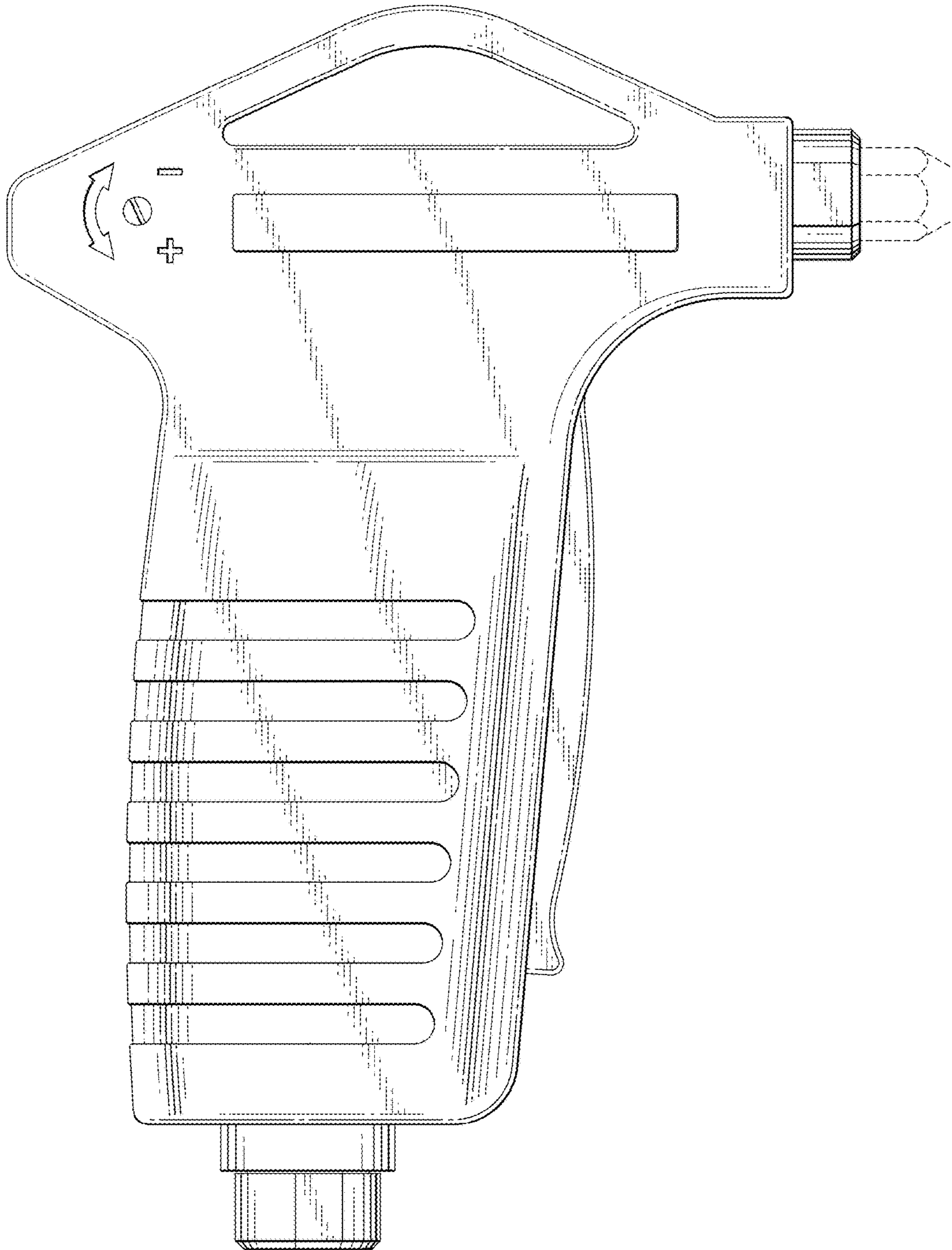


FIG. 10

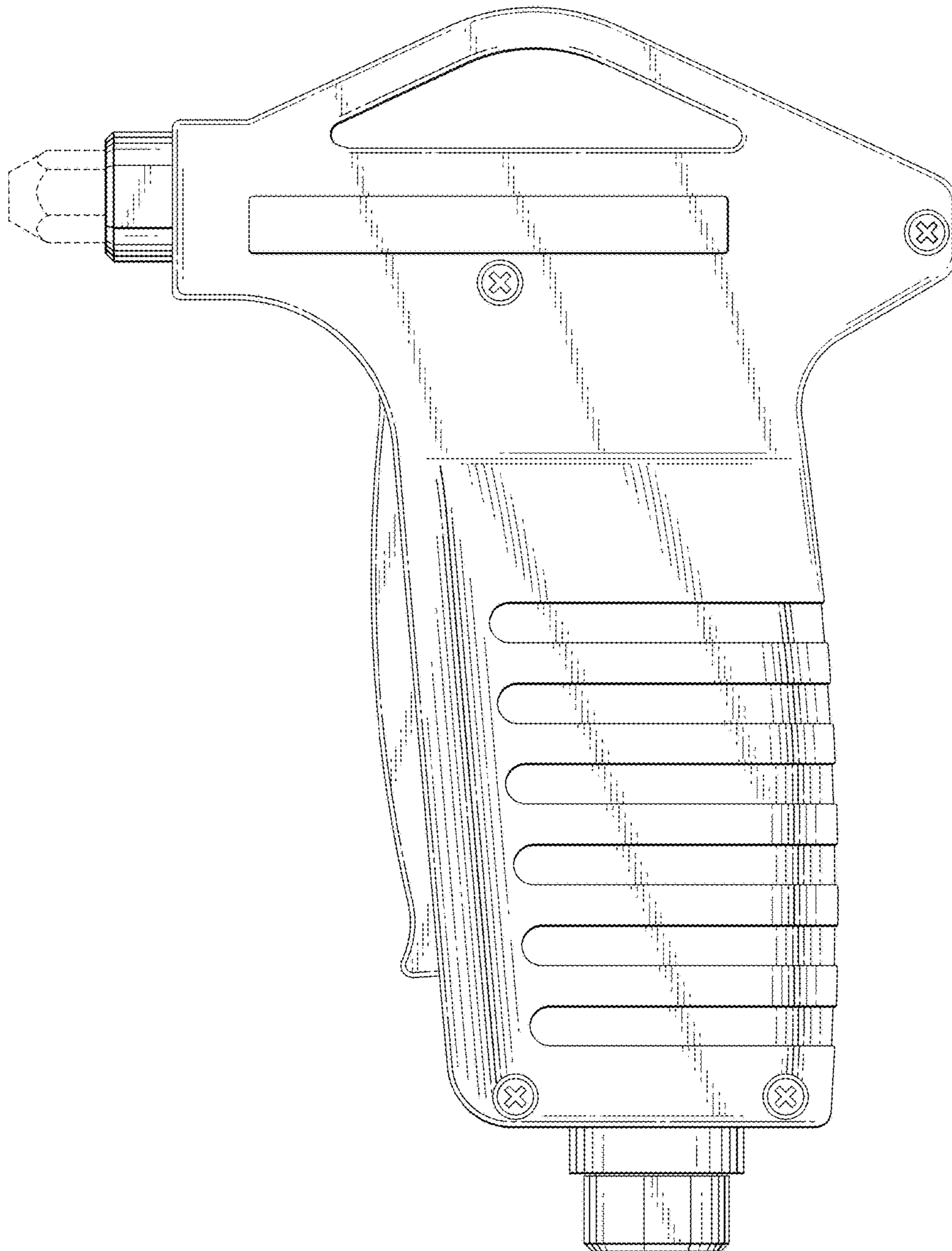


FIG. 11

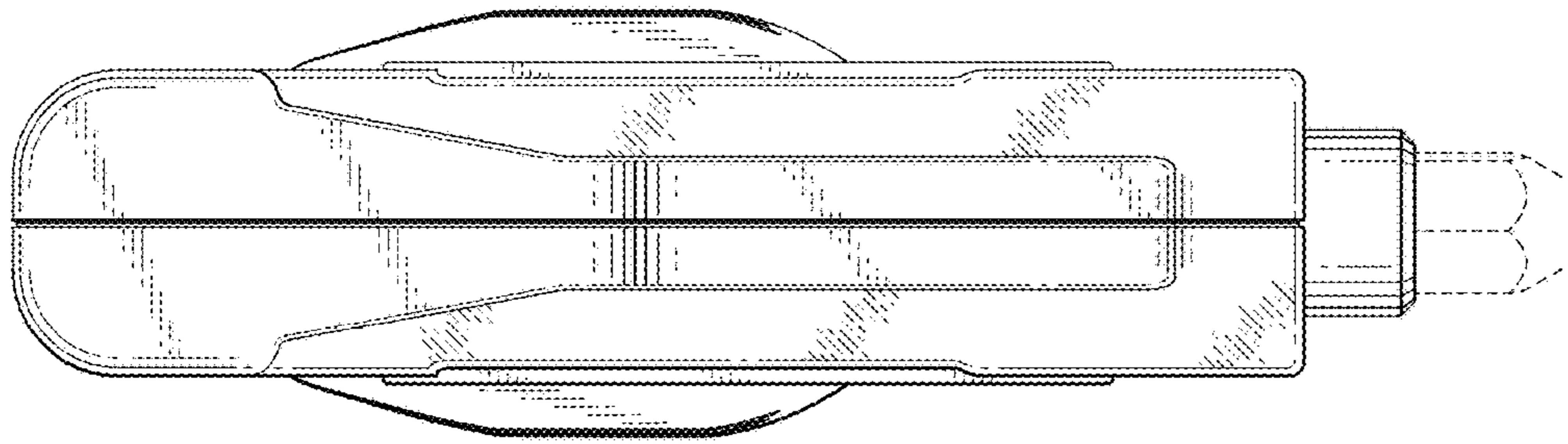


FIG. 12

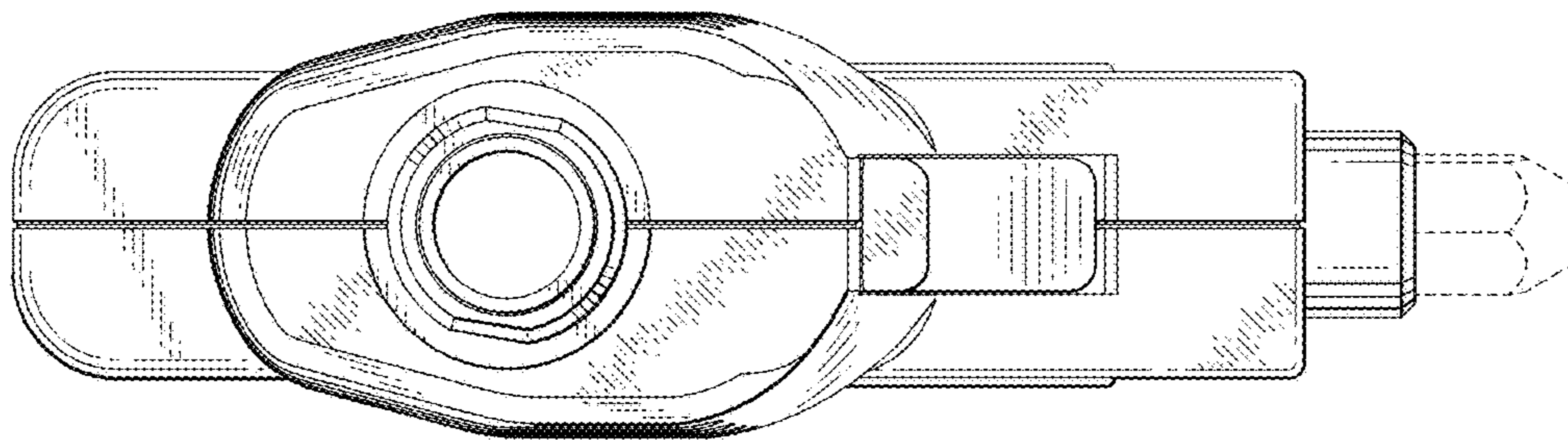


FIG. 13

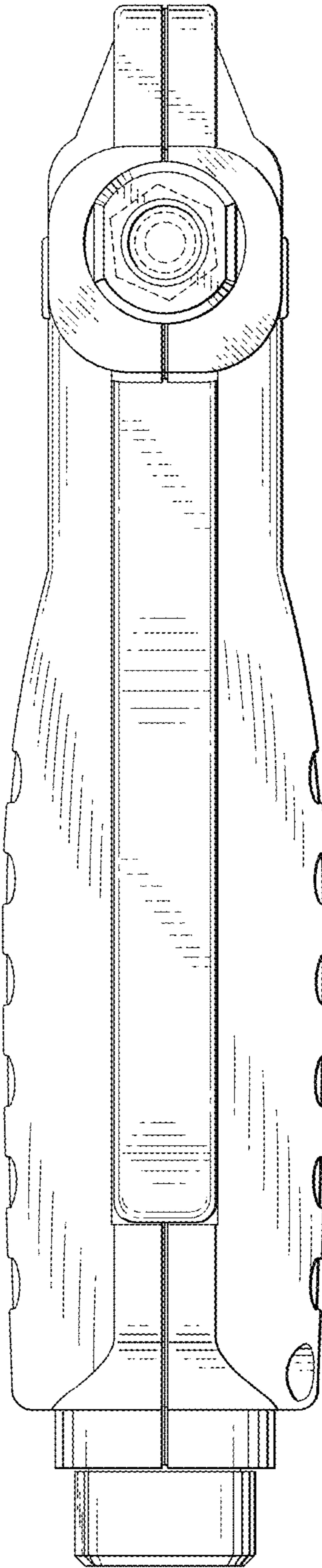




FIG. 14

