



US00D819783S

(12) **United States Design Patent**
Urry

(10) **Patent No.:** **US D819,783 S**
(45) **Date of Patent:** **** Jun. 5, 2018**

(54) **WATER SPRAYING GUN**

D768,817 S * 10/2016 Chen D23/223
D774,164 S * 12/2016 Chen D23/226
D774,165 S * 12/2016 Chen D23/226

(71) Applicant: **Andrew Mark Urry**, Salt Lake City,
UT (US)

* cited by examiner

(72) Inventor: **Andrew Mark Urry**, Salt Lake City,
UT (US)

Primary Examiner — Robin V Webster

(73) Assignee: **Orbit Irrigation Products, Inc.** UT
(US)

(74) *Attorney, Agent, or Firm* — Che-Yang Chen; Law
Offices of Scott Warmuth

(**) Term: **15 Years**

(21) Appl. No.: **29/598,931**

(57) **CLAIM**

(22) Filed: **Mar. 29, 2017**

The ornamental design for a water spraying gun, as shown
and described.

(51) **LOC (11) Cl.** **23-01**

(52) **U.S. Cl.**

USPC **D23/223**

(58) **Field of Classification Search**

USPC D23/213, 223, 226, 225; 239/525, 526,
239/291

CPC B05B 1/00; B05B 9/01; B05B 15/061;
B05B 3/00; B05B 5/00; B05B 1/005;
B05B 13/005; B05B 1/3026

See application file for complete search history.

DESCRIPTION

FIG. 1 is a perspective view of a water spraying gun showing
my new design;

FIG. 2 is a front elevational view thereof;

FIG. 3 is a rear elevational view thereof;

FIG. 4 is a left side elevational view thereof;

FIG. 5 is a right side elevational view thereof;

FIG. 6 is a top plan view thereof; and,

FIG. 7 is a bottom plan view thereof.

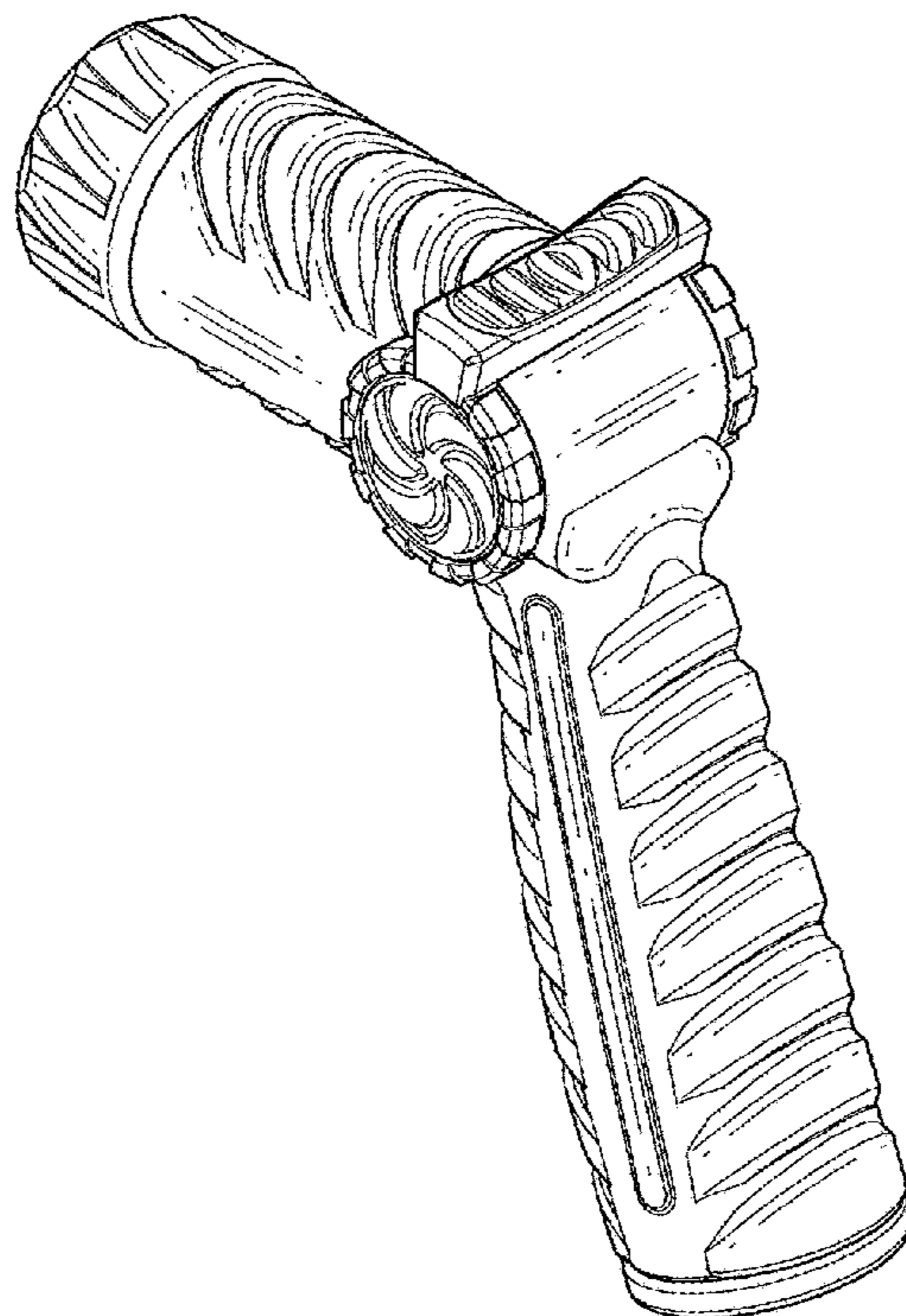
(56) **References Cited**

U.S. PATENT DOCUMENTS

8,950,693 B2 * 2/2015 Hsieh B05B 1/3026
239/525

D749,696 S * 2/2016 Thurgood D23/223

1 Claim, 5 Drawing Sheets



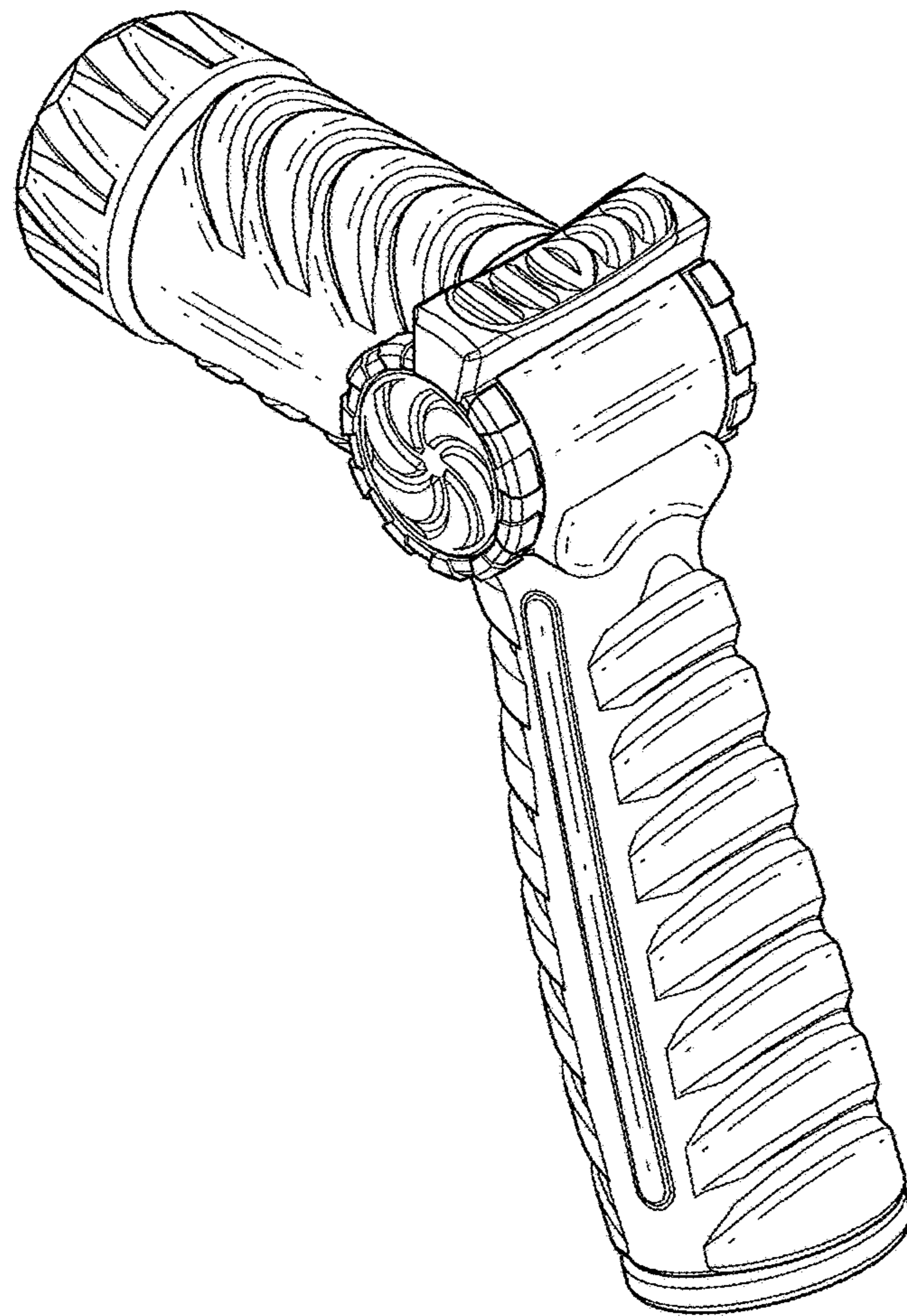


FIG. 1

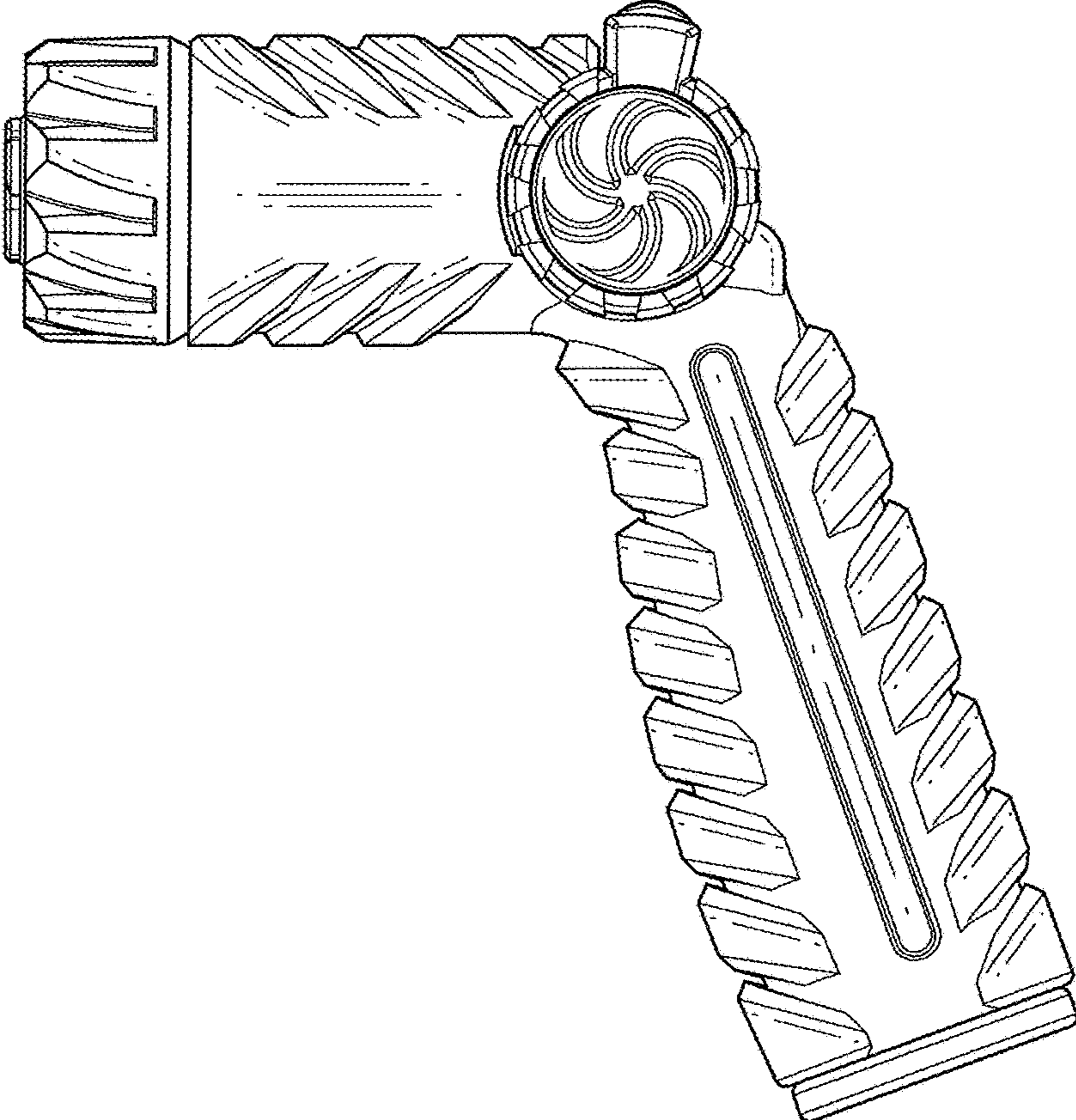


FIG. 2

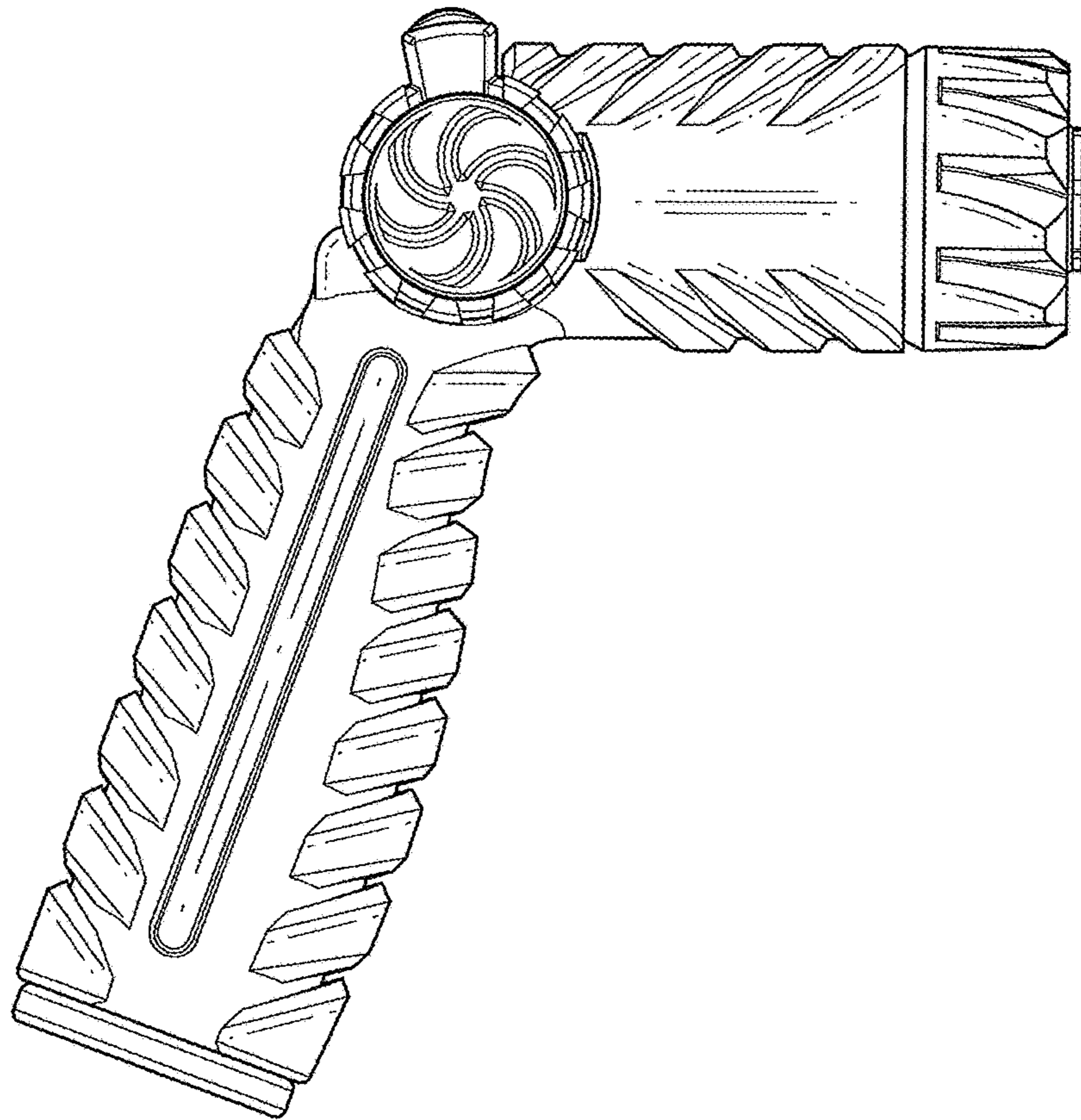


FIG. 3

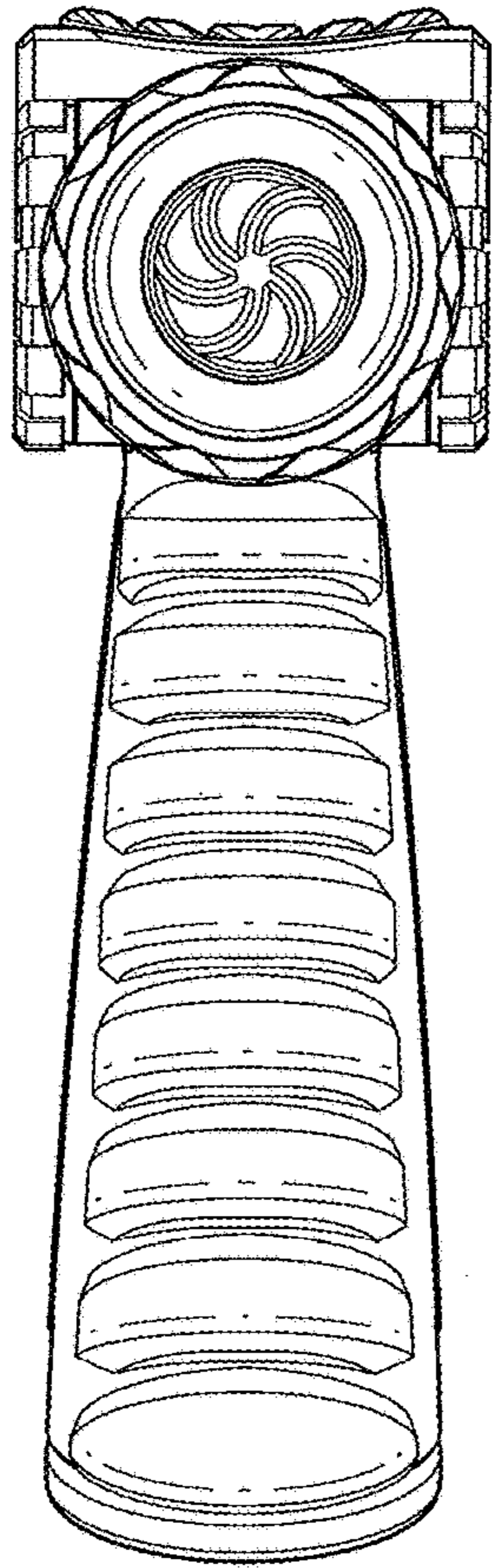


FIG. 4

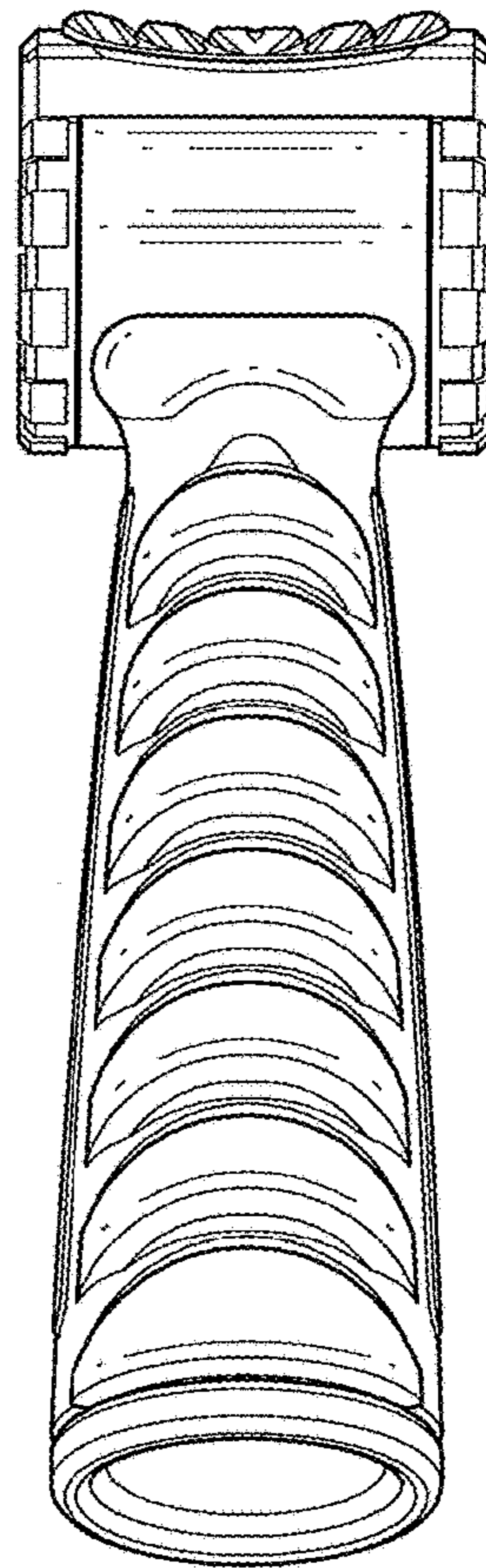


FIG. 5

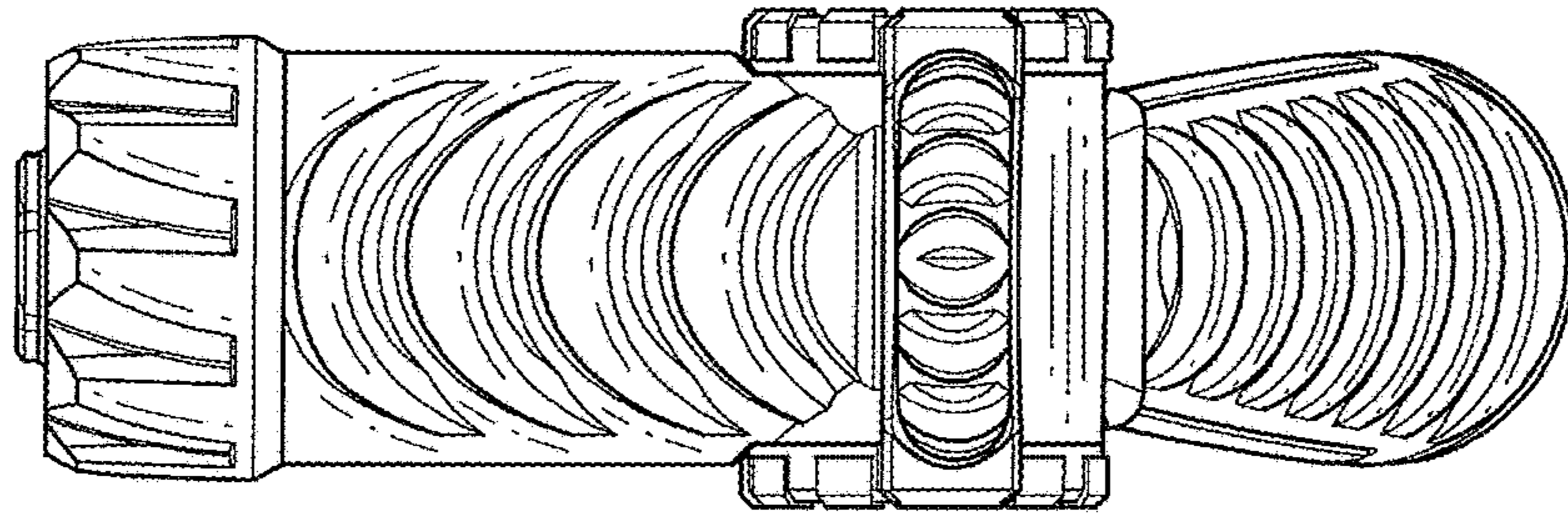


FIG. 6

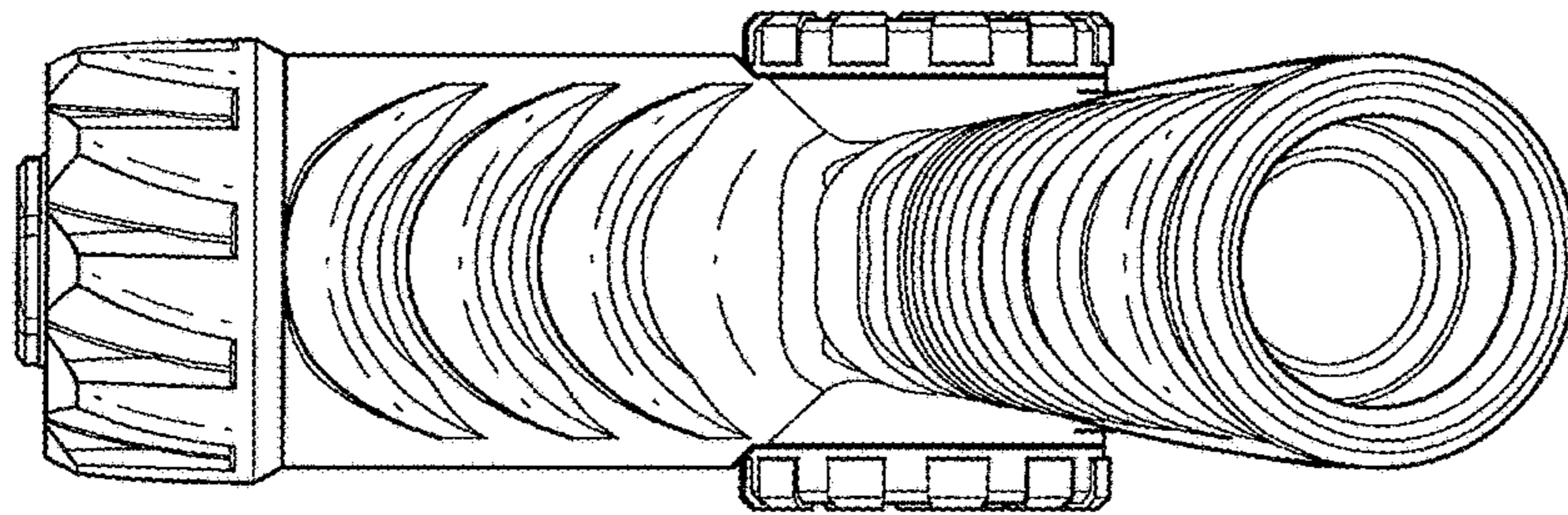


FIG. 7