



US00D819778S

(12) **United States Design Patent** (10) **Patent No.:** **US D819,778 S**
Polacek et al. (45) **Date of Patent:** **** Jun. 5, 2018**

(54) **VERTICAL FLUID STORAGE TANK**

(71) Applicant: **JWF Industries**, Johnstown, PA (US)

(72) Inventors: **William C. Polacek**, Johnstown, PA (US); **Marc J. Speciale**, Johnstown, PA (US); **Matthew J. Hughes**, Hollsopple, PA (US)

(73) Assignee: **JWF INDUSTRIES**, Johnstown, PA (US)

(**) Term: **15 Years**

(21) Appl. No.: **29/590,049**

(22) Filed: **Jan. 6, 2017**

Related U.S. Application Data

(63) Continuation of application No. 29/490,297, filed on May 8, 2014.

(51) **LOC (11) Cl.** **23-01**

(52) **U.S. Cl.**
USPC **D23/202; D12/95**

(58) **Field of Classification Search**
USPC D23/202, 205; 220/4.12, 562, 586, 587; D12/95
CPC B65D 88/022; B65D 90/08
See application file for complete search history.

(56) **References Cited**

U.S. PATENT DOCUMENTS

D162,118 S 2/1951 Bausenbach
D190,801 S * 7/1961 Wyle et al. D12/95
3,570,705 A 3/1971 Yazdani
3,638,699 A 2/1972 Hillinger
3,712,250 A * 1/1973 Geyer B61D 5/06
105/360
D229,178 S * 11/1973 Mixon D23/207
4,318,549 A 3/1982 Pletcher
4,406,471 A 9/1983 Holloway

4,474,254 A 10/1984 Etter et al.
D278,457 S 4/1985 Schroder et al.
4,589,565 A 5/1986 Spivey
4,615,453 A 10/1986 Taquoi
4,655,367 A 4/1987 Palazzo
D293,262 S * 12/1987 Sayward D12/218
D301,326 S 5/1989 Adams
4,939,833 A 7/1990 Thomas
D320,055 S * 9/1991 Parker D23/202
(Continued)

OTHER PUBLICATIONS

Product Sheet of Wylie Oilfield Rentals 400 bbl Heated and Insulated Production Tank, <http://allisonchampagne.com/wylie/wp-content/uploads/2013/09/400-Bbl-Heated-Insulated-Production-Tank.pdf>, Dec. 3, 2012, 1 page.

(Continued)

Primary Examiner — Robin V Webster

(74) *Attorney, Agent, or Firm* — The Webb Law Firm

(57) **CLAIM**

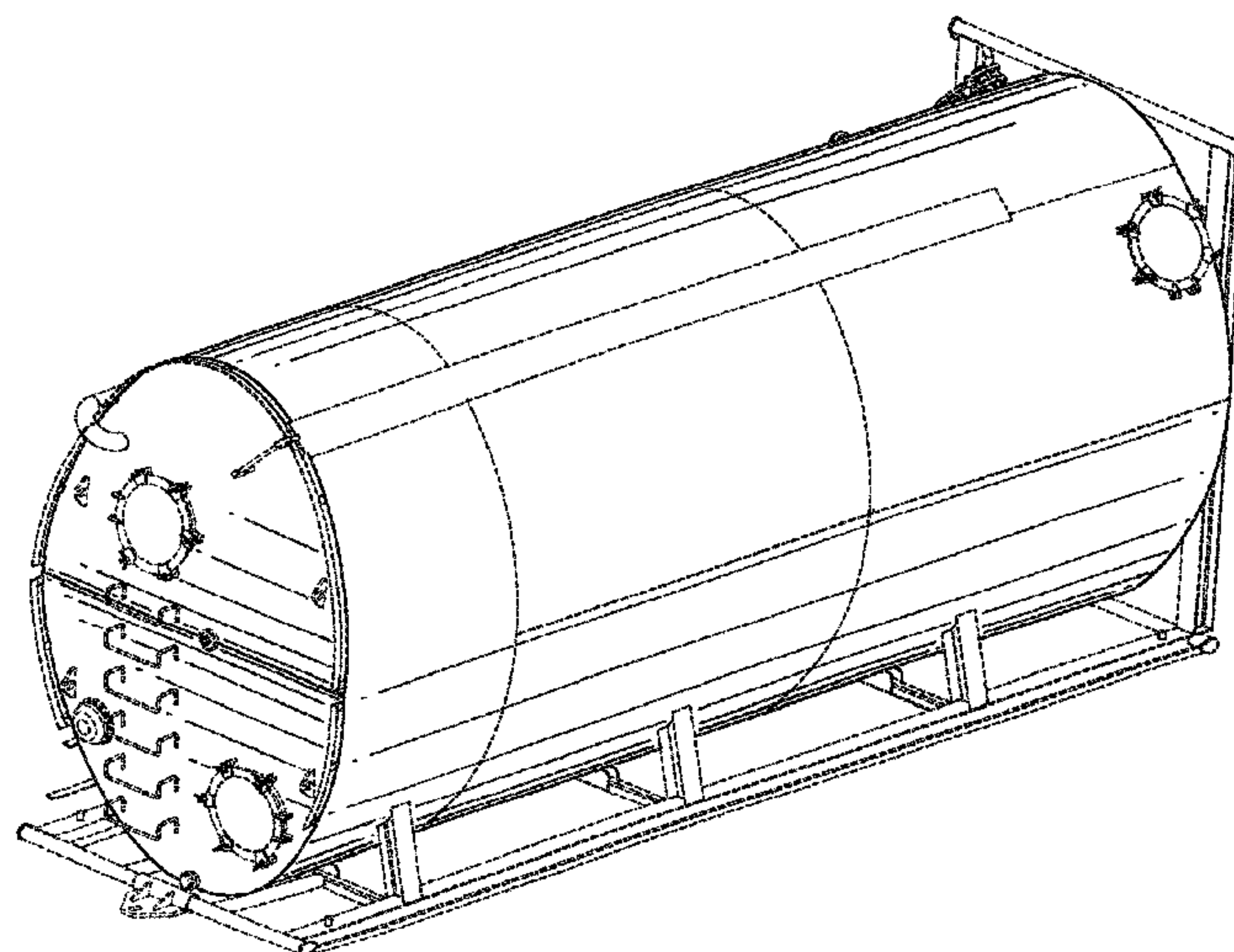
The ornamental design for a vertical fluid storage tank, as shown and described.

DESCRIPTION

FIG. 1 is a top perspective view of a vertical fluid storage tank, showing our new design;
FIG. 2 is a bottom perspective view thereof;
FIG. 3 is a left side view thereof;
FIG. 4 is a front view thereof;
FIG. 5 is a bottom view thereof;
FIG. 6 is a top view thereof;
FIG. 7 is a right side view thereof;
FIG. 8 is a rear view thereof; and,
FIG. 9 is a cross-sectional view thereof taken along line 9-9 of FIG. 3.

The broken line showings of FIGS. 1-9 are environmental only and not part of the claimed design.

1 Claim, 9 Drawing Sheets



(56)

References Cited

U.S. PATENT DOCUMENTS

5,082,416 A 1/1992 Bock
 5,083,673 A 1/1992 Fossey
 5,096,007 A 3/1992 Burkhard
 5,129,540 A 7/1992 Palazzo
 5,188,252 A 2/1993 Gerhard
 RE34,203 E 3/1993 Palazzo
 5,198,398 A 3/1993 van Duijn
 D337,809 S * 7/1993 Dietzen D23/202
 5,273,180 A 12/1993 Whatley, Jr.
 D353,352 S 12/1994 Holloway, Jr.
 5,390,806 A 2/1995 Elston et al.
 D375,470 S 11/1996 Adams
 D378,810 S 4/1997 Norman, Jr. et al.
 5,671,855 A 9/1997 Norman, Jr. et al.
 D384,913 S 10/1997 Norman, Jr. et al.
 D387,847 S * 12/1997 Wadlington D23/202
 5,695,089 A 12/1997 Reese et al.
 5,779,077 A 7/1998 Fossey
 5,938,065 A * 8/1999 De Vivo B65D 90/10
 220/562
 D417,171 S 11/1999 Satterfield et al.
 6,079,580 A 6/2000 Garton et al.
 6,199,910 B1 3/2001 Wade
 D441,692 S 5/2001 Niblett et al.
 6,279,955 B1 8/2001 Fisher
 D447,535 S * 9/2001 Oakley D12/95
 6,375,222 B1 4/2002 Wade
 6,390,325 B1 5/2002 Gonzales
 6,464,094 B2 * 10/2002 Zacharias A62C 3/0292
 220/4.12
 7,104,425 B2 9/2006 Le Roy
 RE39,721 E 7/2007 Garton
 D557,178 S 12/2007 Petztillo, Jr. et al.
 D607,536 S * 1/2010 Filo D23/205
 D637,114 S 5/2011 Ries
 7,997,623 B2 8/2011 Williams
 D653,587 S 2/2012 Haut et al.
 D654,556 S * 2/2012 McIntosh D23/202
 8,215,516 B2 7/2012 Kaupp
 8,434,638 B2 * 5/2013 McKenzie E21B 43/26
 220/1.5
 8,590,720 B2 * 11/2013 Thomas, II B65D 88/128
 206/386
 D714,691 S * 10/2014 Costello D12/95
 D714,692 S * 10/2014 Costello D12/95
 D737,872 S * 9/2015 Johansson D15/123
 2002/0166861 A1 11/2002 Hinkle et al.

2006/0096991 A1 5/2006 Schmidt et al.
 2007/0056975 A1 3/2007 Long et al.
 2008/0087665 A1 4/2008 Rummel
 2009/0134171 A1 5/2009 Deberardinis
 2010/0032435 A1 2/2010 Satterfield et al.
 2010/0320727 A1 12/2010 Haut et al.
 2011/0006068 A1 1/2011 Kaupp
 2011/0109073 A1 5/2011 Williams
 2011/0121555 A1 5/2011 Anderson
 2011/0186581 A1 8/2011 Ries
 2011/0211818 A1 9/2011 Grady
 2012/0024738 A1 2/2012 Herman et al.
 2012/0134772 A1 5/2012 Herman et al.

OTHER PUBLICATIONS

Photos and Product Sheet of Strad 400 bbl Tank, <http://www.stradenergy.com/Our-Solutions/Surface-Equipment/8/400-BBL-Tanks>, Aug. 18, 2012, 2 pages.
 Photo and Product Sheet of Redneck Oilfield Rentals 400 bbl Tank, <http://www.redneckoilfield.ca/tanks.html>, 2 pages, published at least as early as May 2012.
 Photo of Wrangler Rentals Tank, 1 page, published at least as early as May 2012.
 Photos and Product Sheet of Crown Tank Infinity Tank, <http://dev.crowntank.com/wp-content/uploads/2014/01/infinity.pdf>, 2 pages.
 Photo and Product Sheets of Pro-Find Equipment, Inc. 400 bbl Single Wall Tank, <http://www.profindequipmentinc.com/Tank-details2.html>, Feb. 16, 2012, 6 pages.
 Product Sheet of TNT Energy Services, Ltd. 400 bbl Upright Tank, <http://tntenergy.ca/400-bbl-uprights/>, Oct. 14, 2011, 1 page.
 Product Sheet of Wylie Oilfield Rentals 400 bbl Production Tank, <http://allisonchampagne.com/wylie/wp-content/uploads/2013/09/400-Bbl-Production-Tank.pdf>, Sep. 26, 2011, 1 page.
 Product Sheet of Wylie Oilfield Rentals 400 bbl Heated and insulated Production Tank, <http://allisonchampaane.com/wylie/wp-content/uploads/2013/09/400-Bbl-Heateci-Insulated-Production-Tank.pdf>, Dec. 3, 2012, 1 page.
 Photo and Product Sheet of Revcon 400 bbl Storage Tank, <http://revcon.ca/what-we-do/rentals/400bbl-tanks>, Jan. 15, 2011, 5 pages.
 Photos and Product Sheet of Advanced Fluid Containment, LLC 400 bbl Round Skidded Tank, <http://afctanks.com/products/skidded-tanks.html>, Apr. 2, 2012, 6 pages.
 Photos and Product Sheet of Strad 400 bbl Tank, <http://www.stradenergy.com/Our-Solutions/Surface-Equipment/8/400-BBL-Tanks>, Aug. 16, 2012, 2 pages.

* cited by examiner

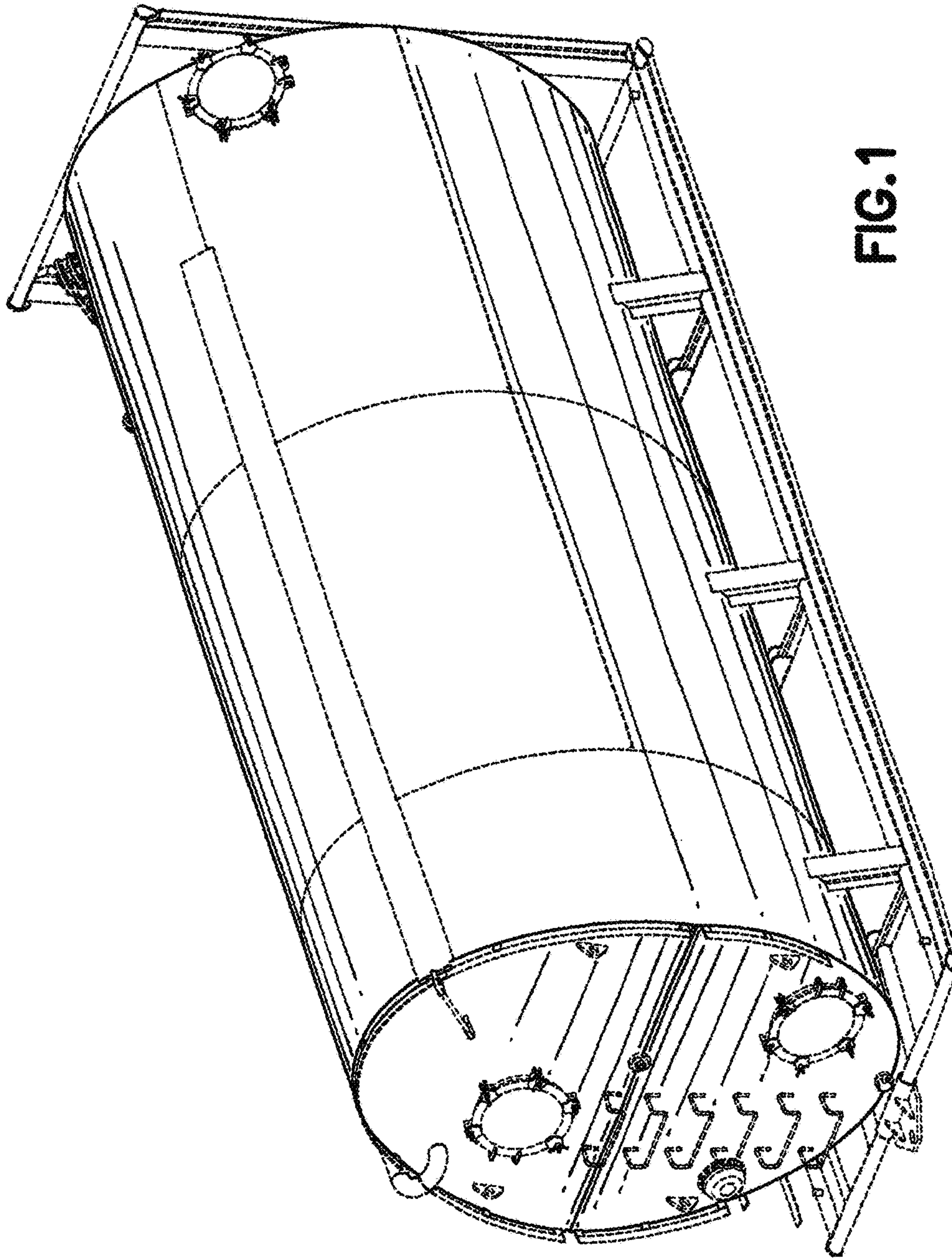


FIG. 1

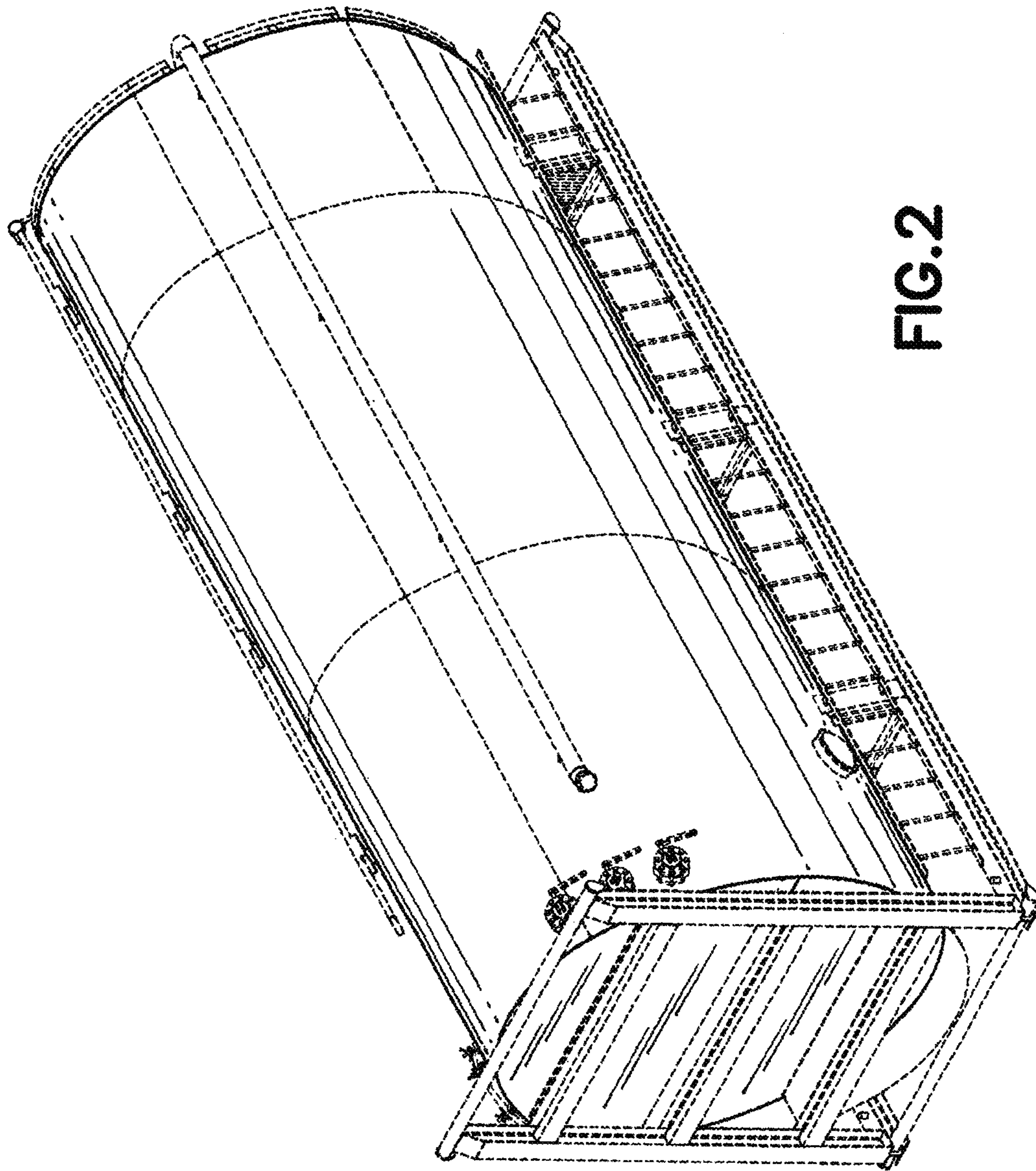


FIG. 2

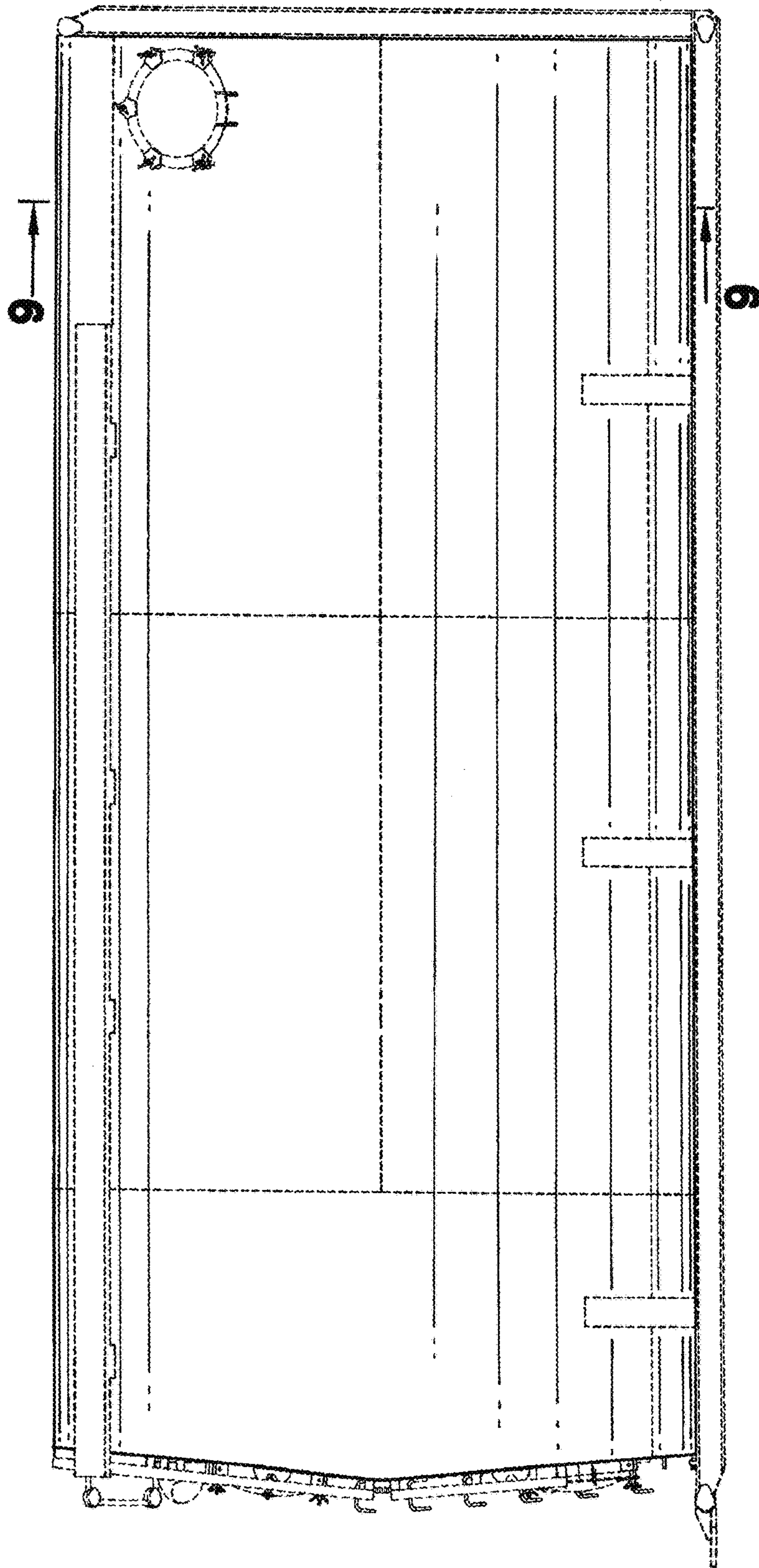
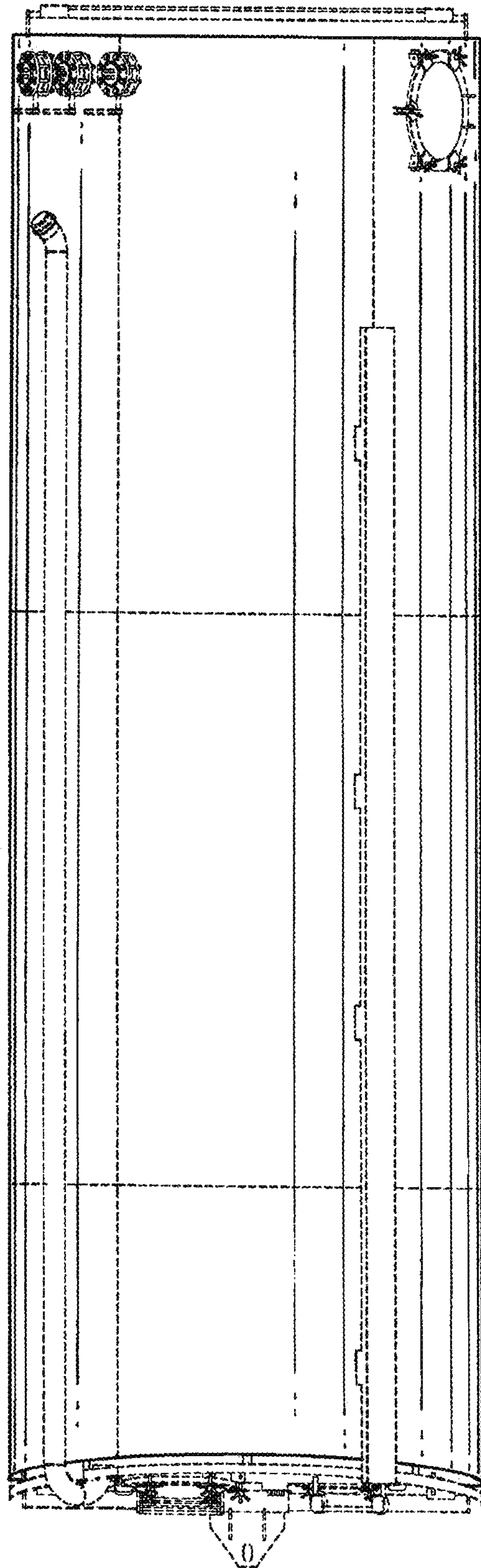


FIG.3

FIG. 4



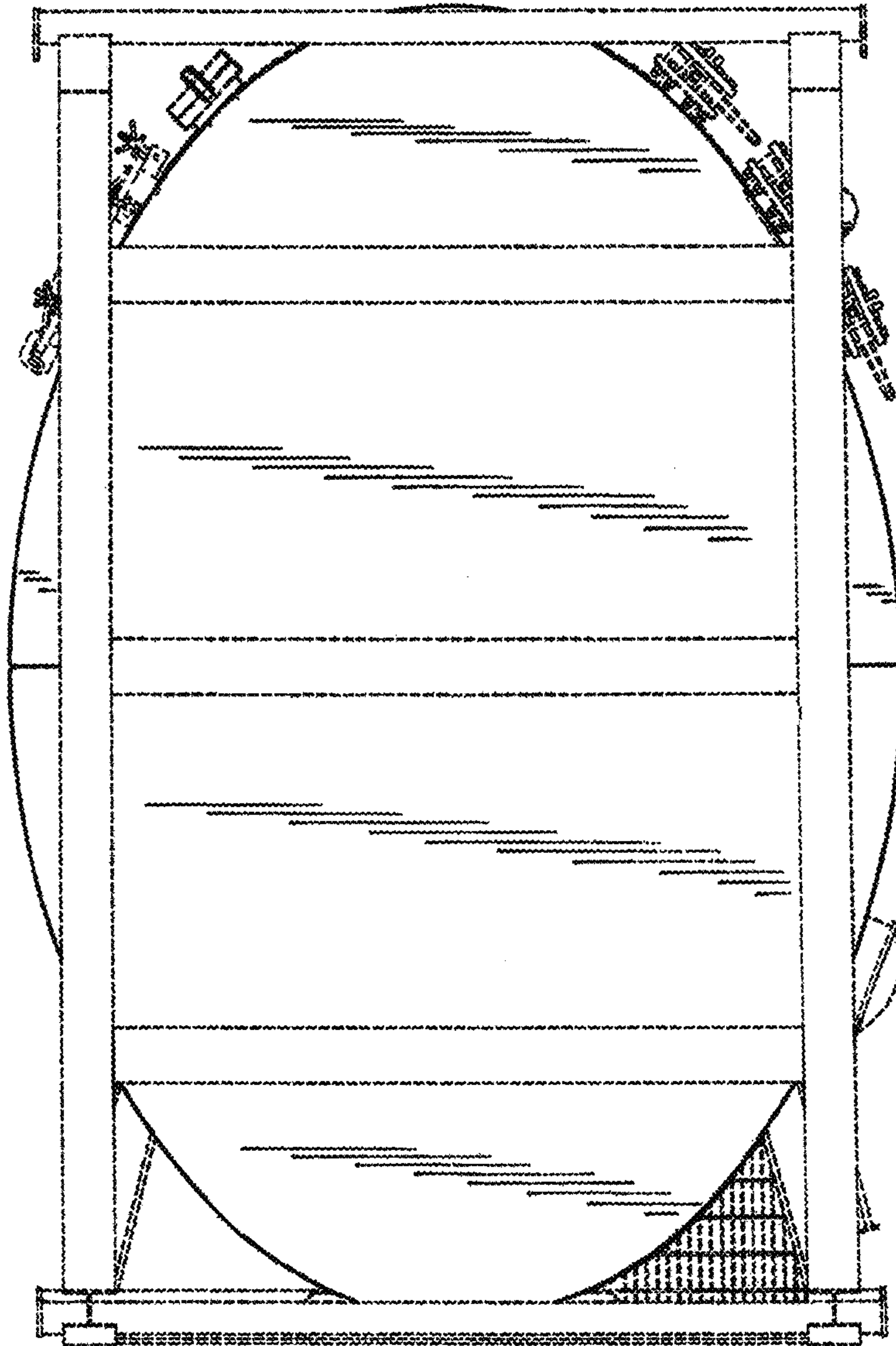


FIG.5

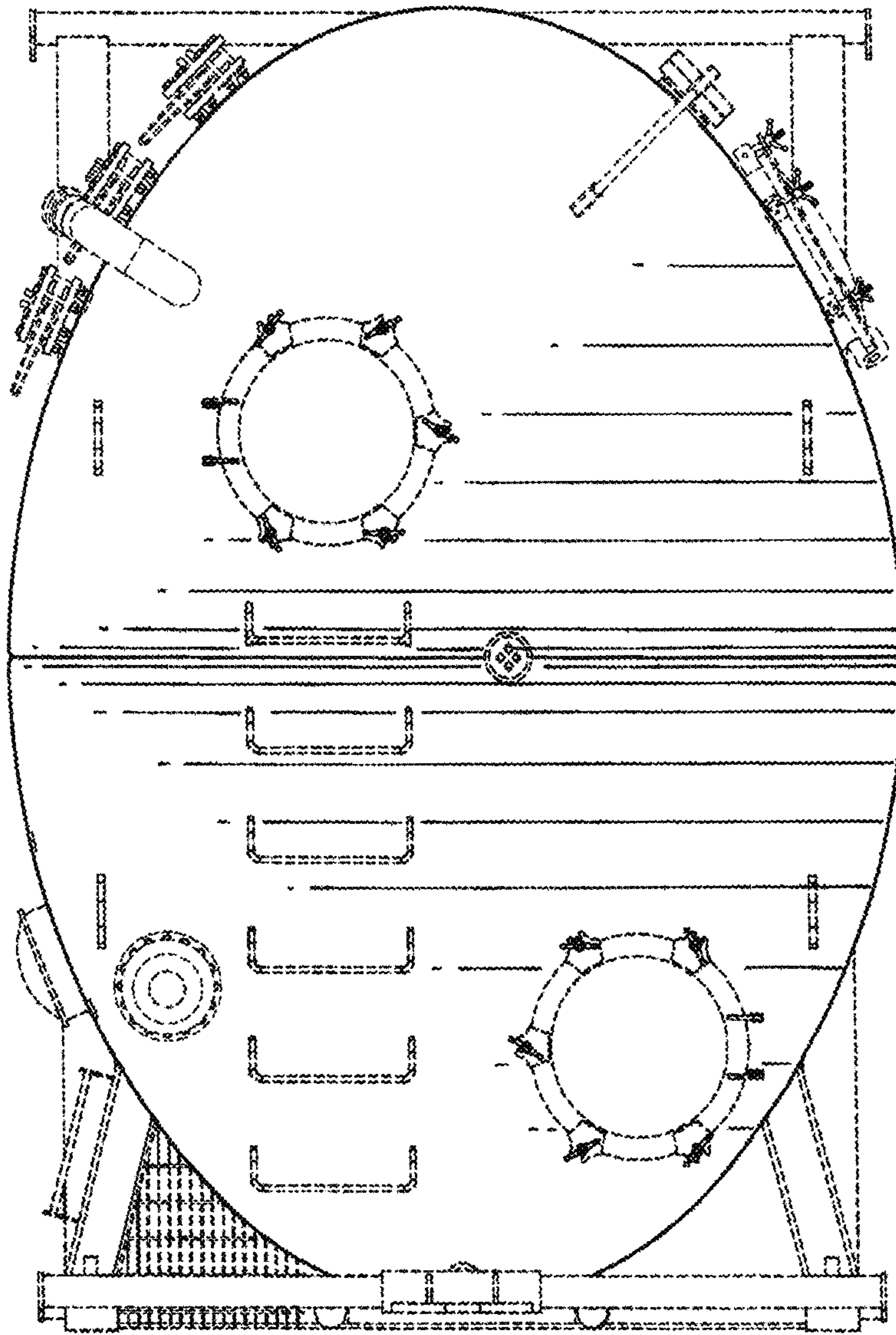


FIG.6

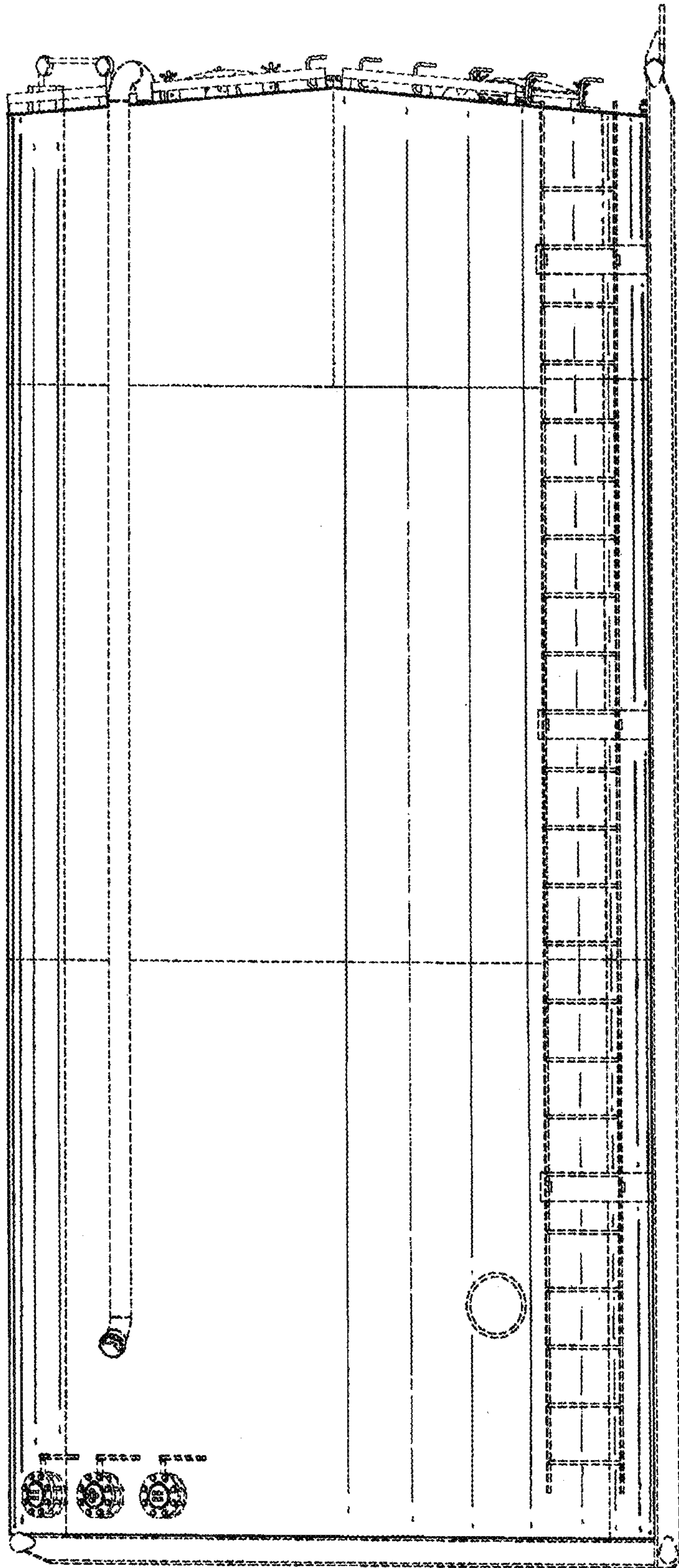


FIG. 7

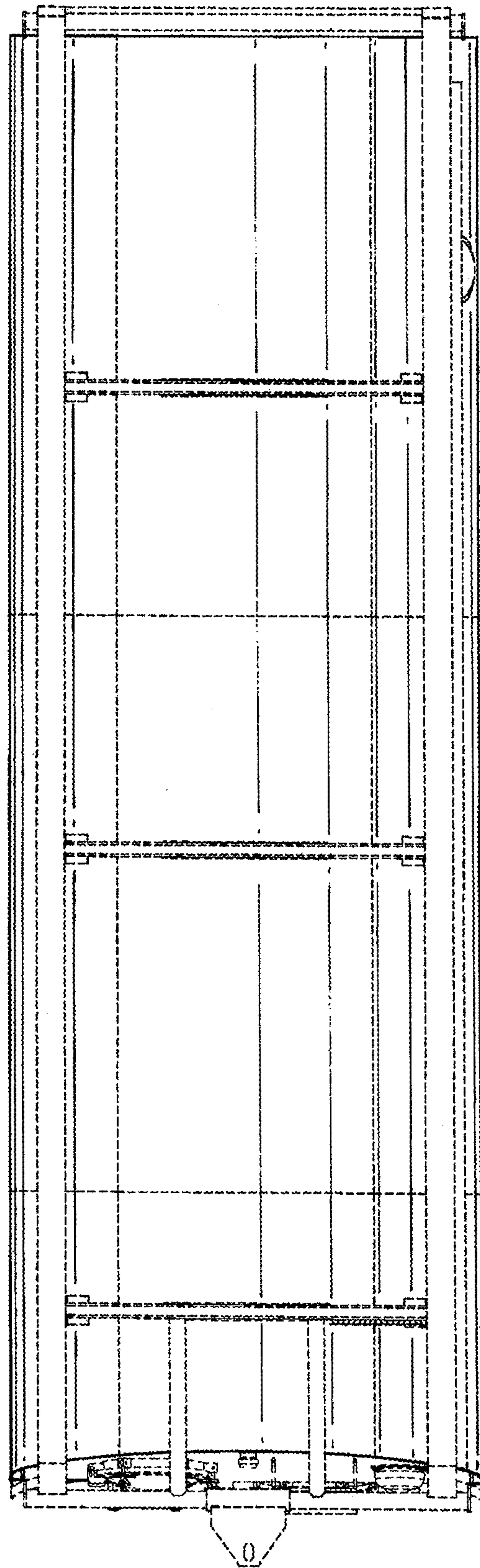


FIG.8

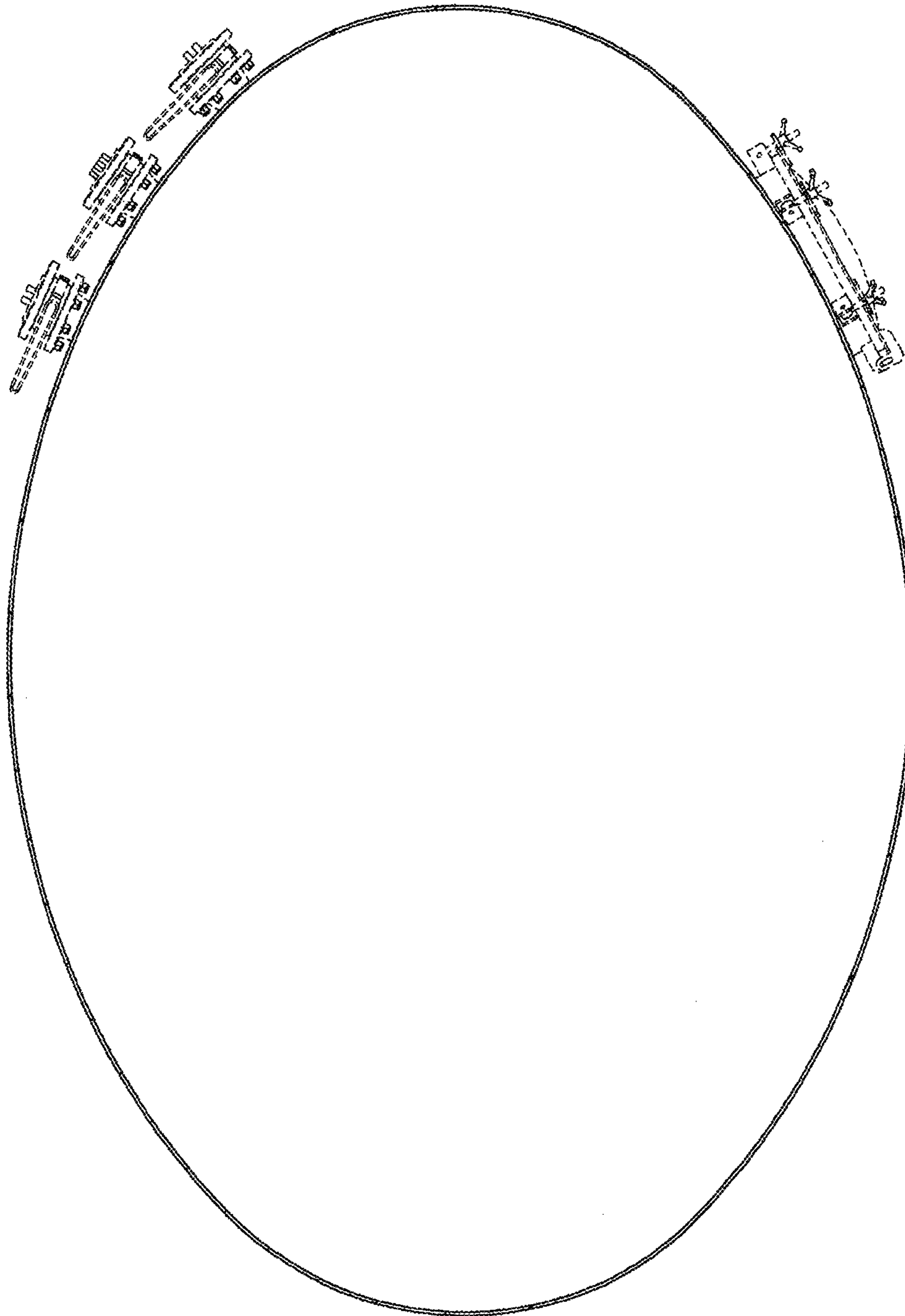


FIG.9