



US00D819776S

(12) **United States Design Patent** (10) **Patent No.:** **US D819,776 S**
Montano (45) **Date of Patent:** **** Jun. 5, 2018**

(54) **FLY AND TOOL HOLDER**
(71) Applicant: **Phillip M Montano**, Littleton, CO (US)
(72) Inventor: **Phillip M Montano**, Littleton, CO (US)
(**) Term: **15 Years**
(21) Appl. No.: **29/563,994**
(22) Filed: **May 10, 2016**
(51) **LOC (11) Cl.** **22-05**
(52) **U.S. Cl.**
USPC **D22/147**
(58) **Field of Classification Search**
USPC D22/134, 147, 149, 199; D3/221;
D8/396
CPC A01K 97/10; A01K 97/22
See application file for complete search history.

D666,690 S * 9/2012 Leistner D22/149
2007/0240367 A1 * 10/2007 Brown A01K 97/10
52/155
2011/0041382 A1 2/2011 Boling
2017/0325440 A1 * 11/2017 Montano A45F 5/02

OTHER PUBLICATIONS

Results of web search as attached.

* cited by examiner

Primary Examiner — Karen S Acker
Assistant Examiner — Steven B Reinholdt, Jr.
(74) *Attorney, Agent, or Firm* — Patent Law Offices of Rick Martin, P.C.

(57) **CLAIM**

The ornamental design for a fly and tool holder, as shown and described.

DESCRIPTION

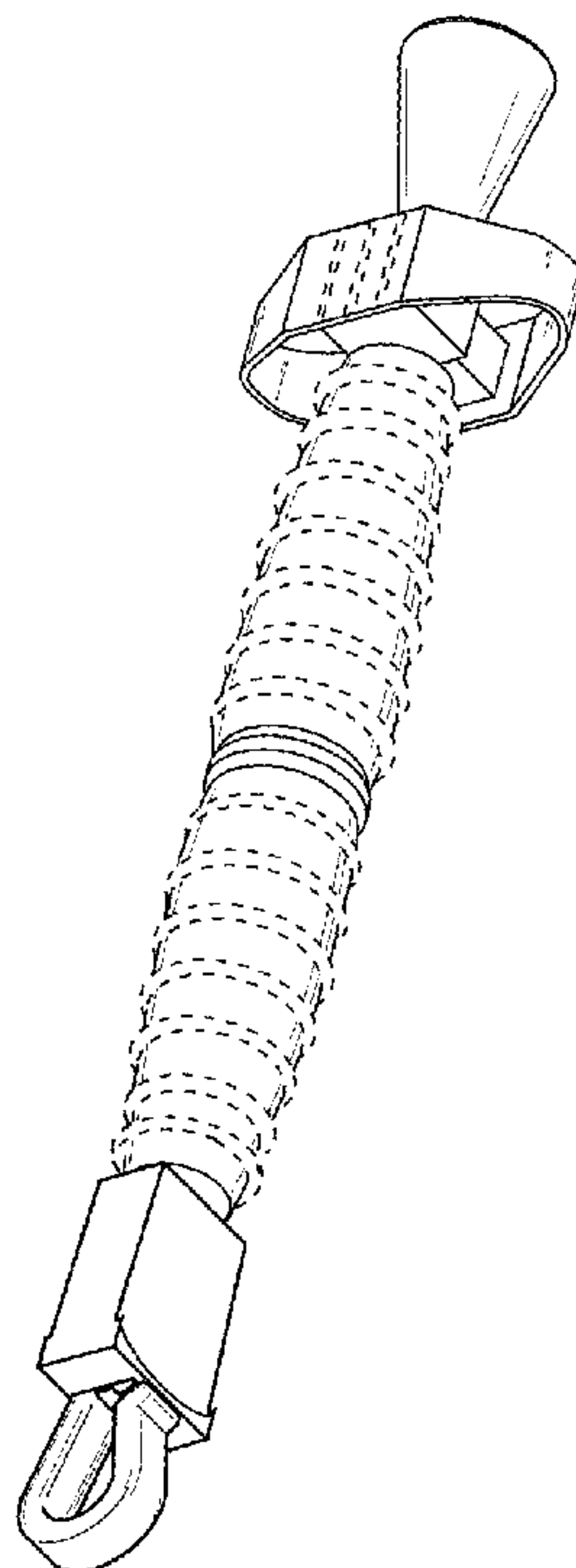
FIG. 1 is a bottom perspective view of my new design for a fly and tool holder.
FIG. 2 is a top perspective view thereof;
FIG. 3 is a right side elevation view thereof;
FIG. 4 is a front elevation view thereof, with the back view being a mirror image thereto;
FIG. 5 is a left side elevation view thereof;
FIG. 6 is an enlarged bottom plan view thereof; and,
FIG. 7 is an enlarged top plan view thereof.
The broken lines depict environmental subject matter and form no part of the claimed design.

(56) **References Cited**

U.S. PATENT DOCUMENTS

D156,013 S * 11/1949 Knauer D22/149
D232,234 S * 7/1974 Freed D22/147
4,658,534 A * 4/1987 McLean A01K 97/10
248/532
D298,699 S * 11/1988 Glawe D3/221
D346,424 S * 4/1994 Rusztowicz D22/149
6,023,876 A 2/2000 Haddad et al.
D449,367 S * 10/2001 Cushman D22/117
D451,167 S * 11/2001 Metteer D22/149
D553,221 S * 10/2007 Rustowicz D22/149
D594,529 S * 6/2009 Rustowicz D22/149
D595,808 S * 7/2009 Baltas D22/147

1 Claim, 2 Drawing Sheets



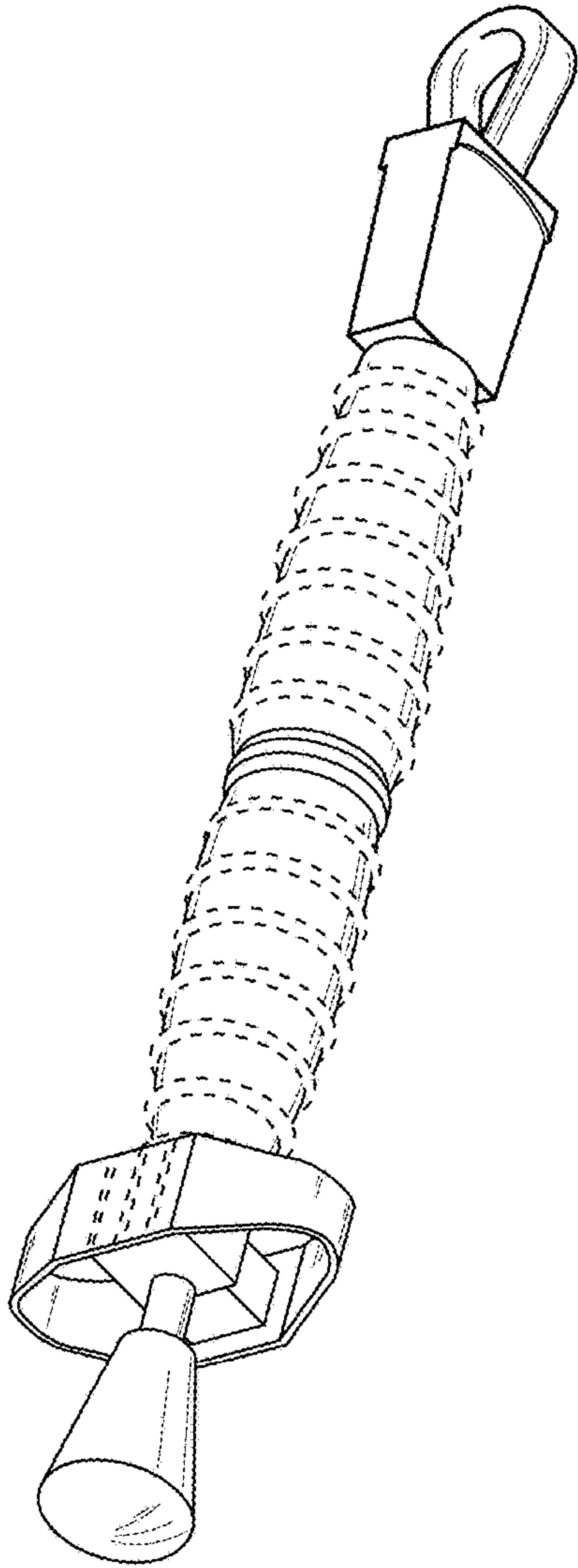


Fig. 1

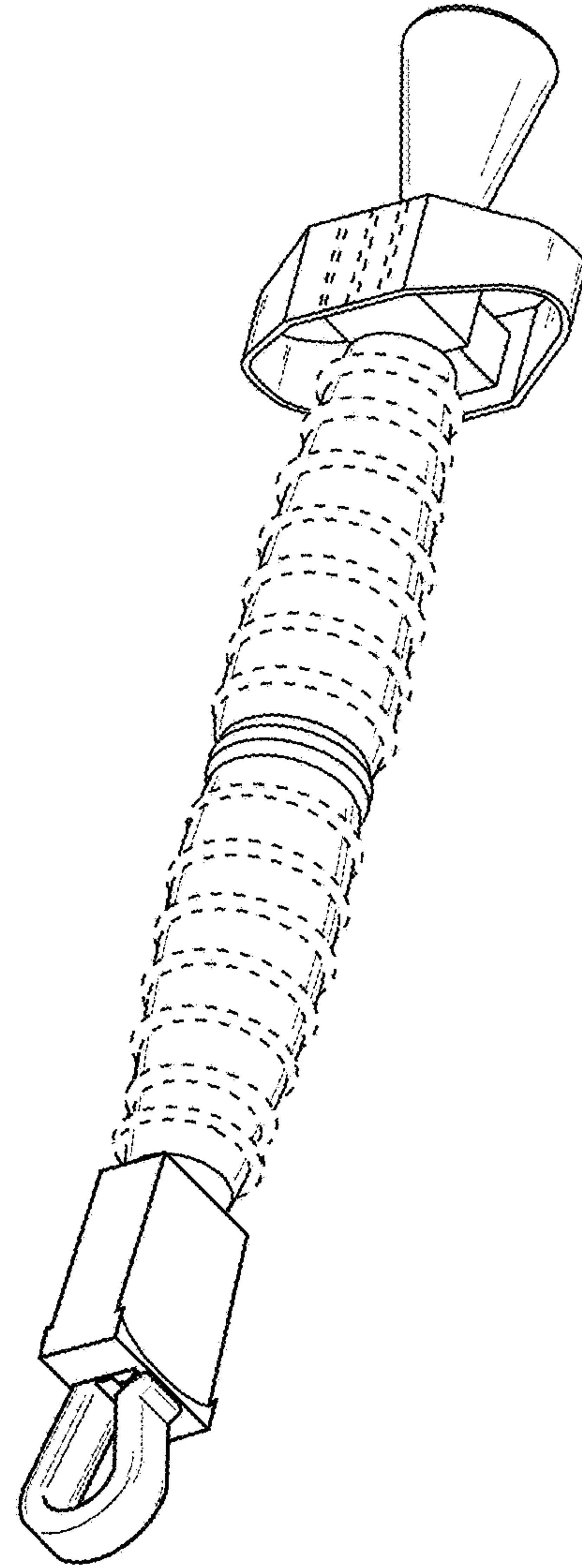


Fig. 2

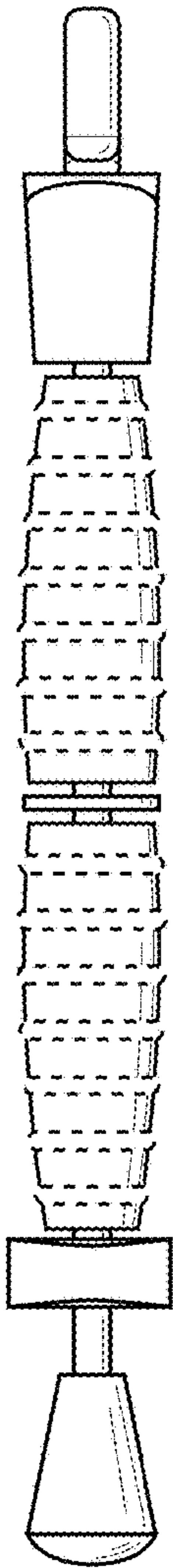


Fig. 3

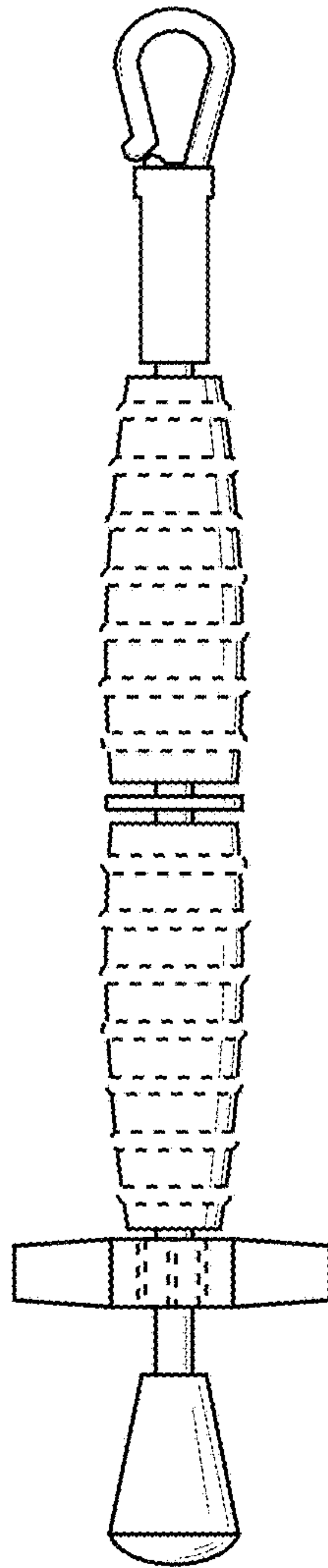


Fig. 4

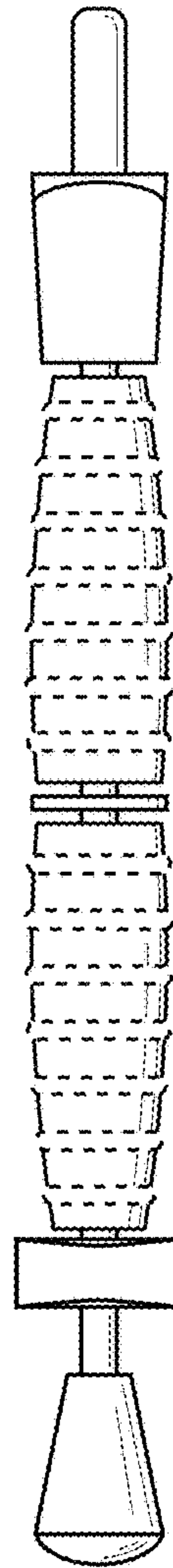


Fig. 5

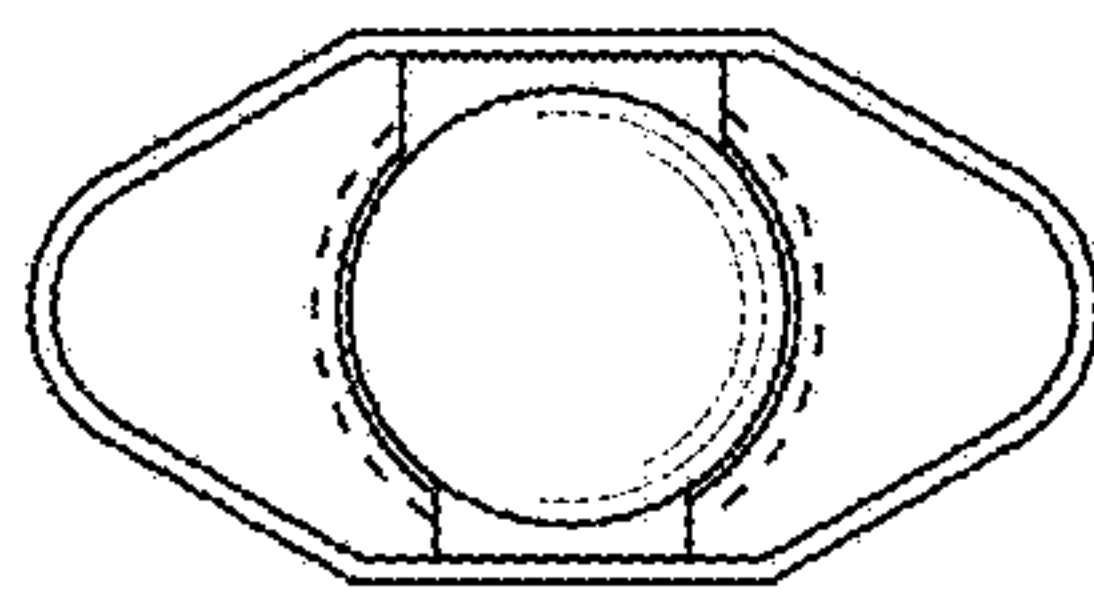


Fig. 6

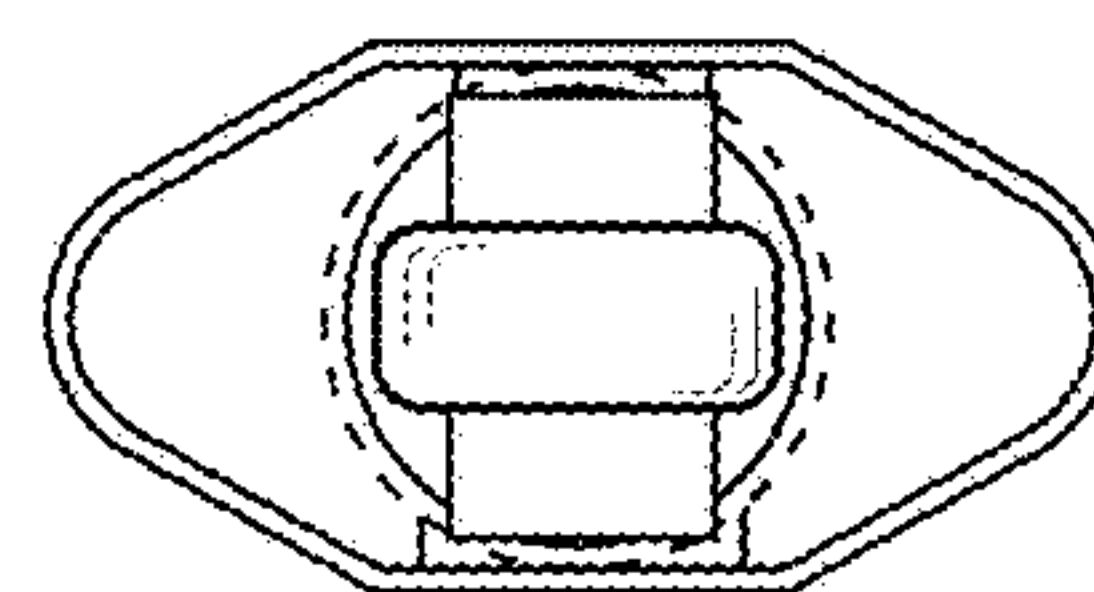


Fig. 7