



US00D819775S

(12) **United States Design Patent**
Baldwin et al.

(10) **Patent No.:** **US D819,775 S**
(45) **Date of Patent:** **** Jun. 5, 2018**

(54) **FISHING REEL BRIDGE PORTION**

D718,409 S * 11/2014 Asaba D22/140
8,925,848 B2 * 1/2015 Niitsuma A01K 89/015
242/312
D724,173 S * 3/2015 Asaba D22/140

(71) Applicant: **DQC INTERNATIONAL CORP.,
INC.**, Clearwater, FL (US)

* cited by examiner

(72) Inventors: **Matt Baldwin**, Palm Harbor, FL (US);
Matt Racine, Brooksville, FL (US)

Primary Examiner — Catherine R Oliver-Garcia
(74) *Attorney, Agent, or Firm* — Maxey-Fisher, PLLC;
Stephen Lewellyn

(73) Assignee: **DQC INTERNATIONAL CORP.,
INC.**, Clearwater, FL (US)

(57) **CLAIM**

(**) Term: **15 Years**

The ornamental design for a fishing reel bridge portion, as shown and described.

(21) Appl. No.: **29/595,034**

DESCRIPTION

(22) Filed: **Feb. 24, 2017**

(51) **LOC (11) Cl.** **22-05**

(52) **U.S. Cl.**

USPC **D22/140**

(58) **Field of Classification Search**

USPC D22/137-141; 224/196, 581, 664, 676;
242/312, 314

CPC .. A01K 89/00; A01K 89/015; A01K 89/0111;
A45F 3/14; A63B 47/001

See application file for complete search history.

FIG. 1 is a perspective view of the fishing reel bridge portion in accordance with our new design;
FIG. 2 is another perspective view of the fishing reel bridge portion in accordance with our new design;
FIG. 3 is a top plan view of the fishing reel bridge portion in accordance with our new design;
FIG. 4 is a bottom plan view of the fishing reel bridge portion in accordance with our new design;
FIG. 5 is a first side elevation view of the fishing reel bridge portion in accordance with our new design;
FIG. 6 is a second side elevation view of the fishing reel bridge portion in accordance with our new design;
FIG. 7 is a front elevation view of the fishing reel bridge portion in accordance with our new design; and,
FIG. 8 is a rear elevation view of the fishing reel bridge portion in accordance with our new design.

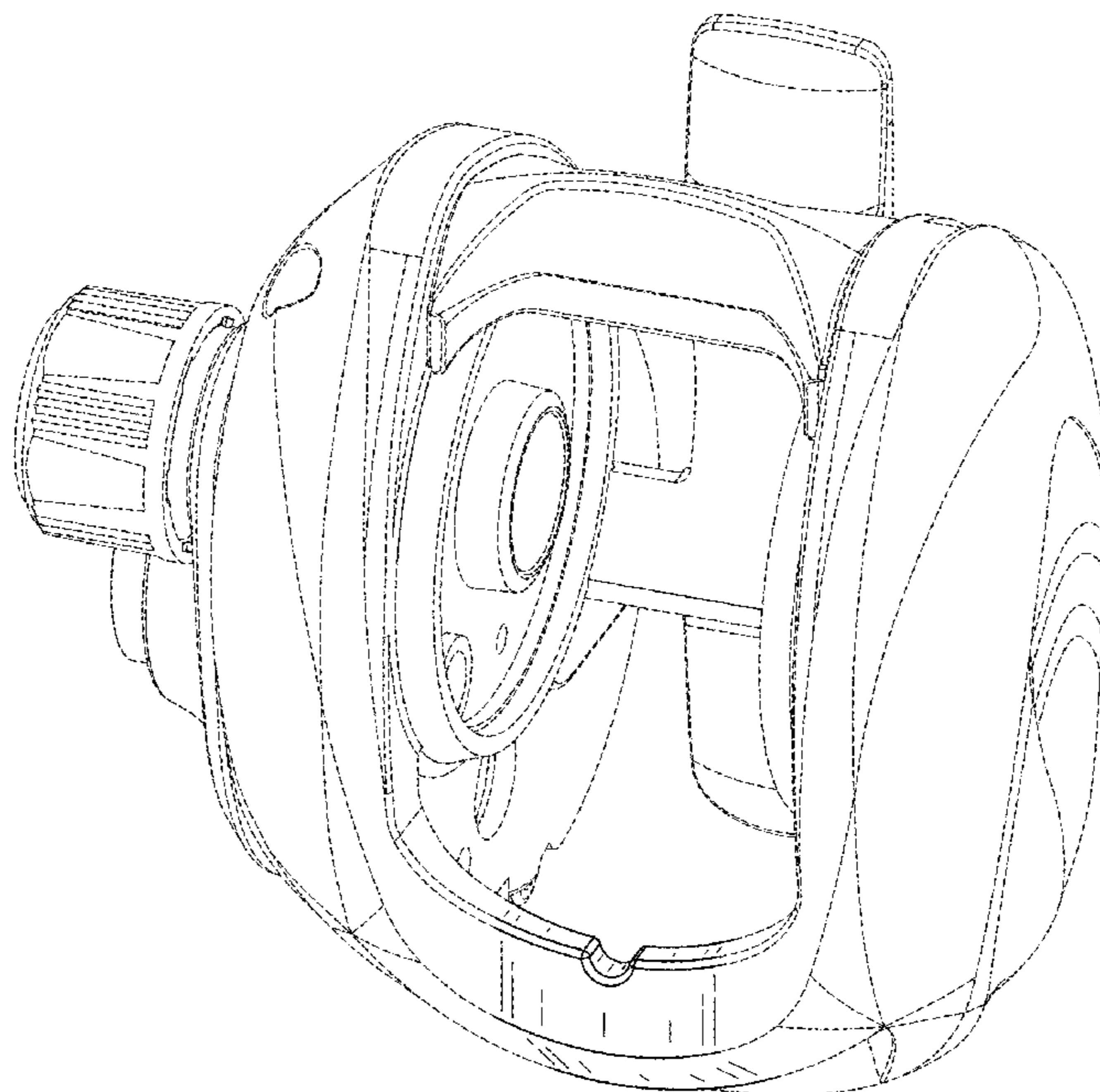
The broken line showing environment (the remaining structure of the fishing reel) in the Figures is for illustrative purposes only and forms no part of the claimed design.

(56) **References Cited**

U.S. PATENT DOCUMENTS

4,798,319 A * 1/1989 James, Jr. A63B 47/001
224/196
D336,325 S * 6/1993 Asano D22/140
D579,075 S * 10/2008 Sekimoto D22/140
8,104,654 B2 * 1/2012 Overton A45F 3/14
224/581

1 Claim, 8 Drawing Sheets



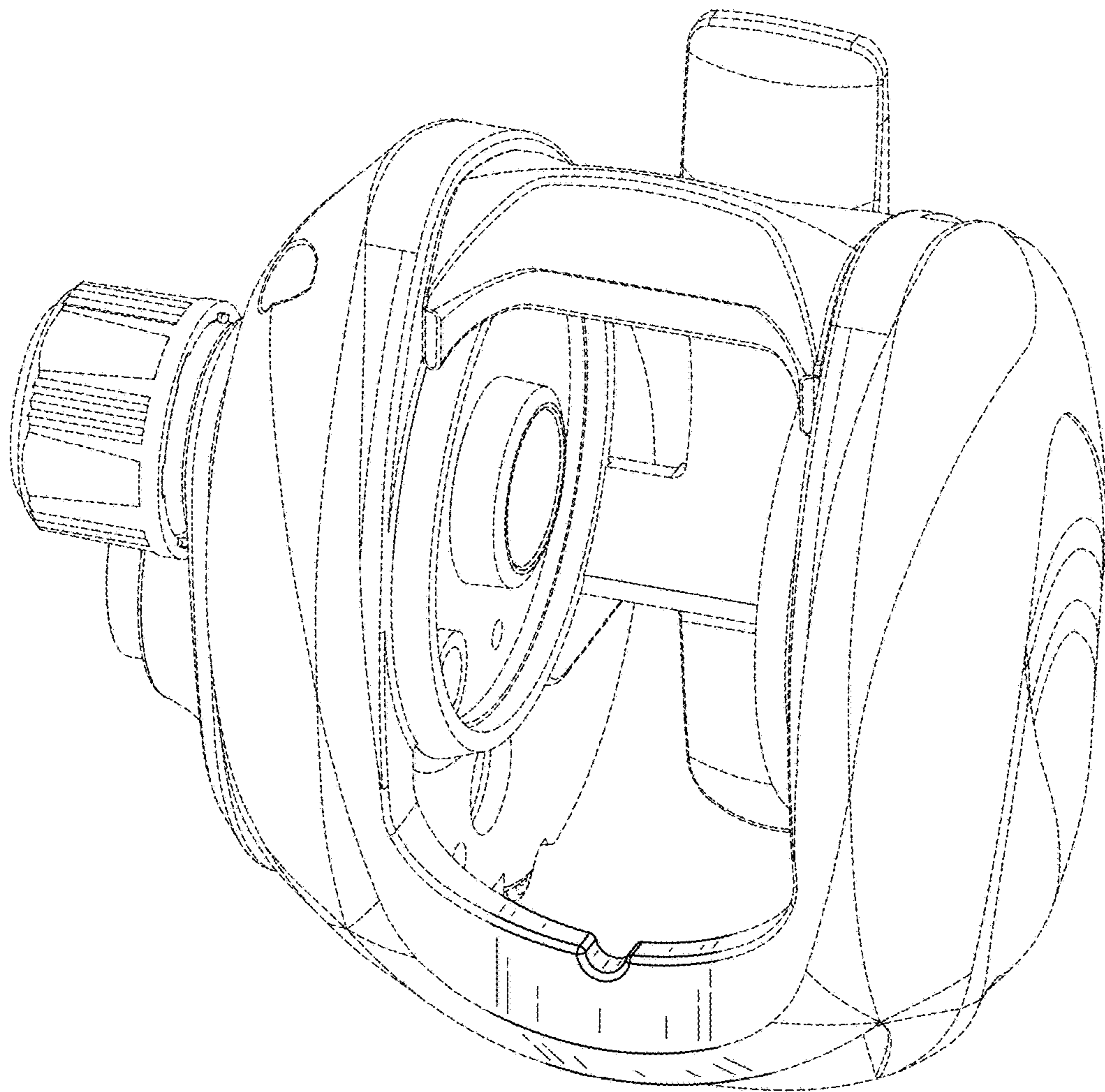


FIG. 1

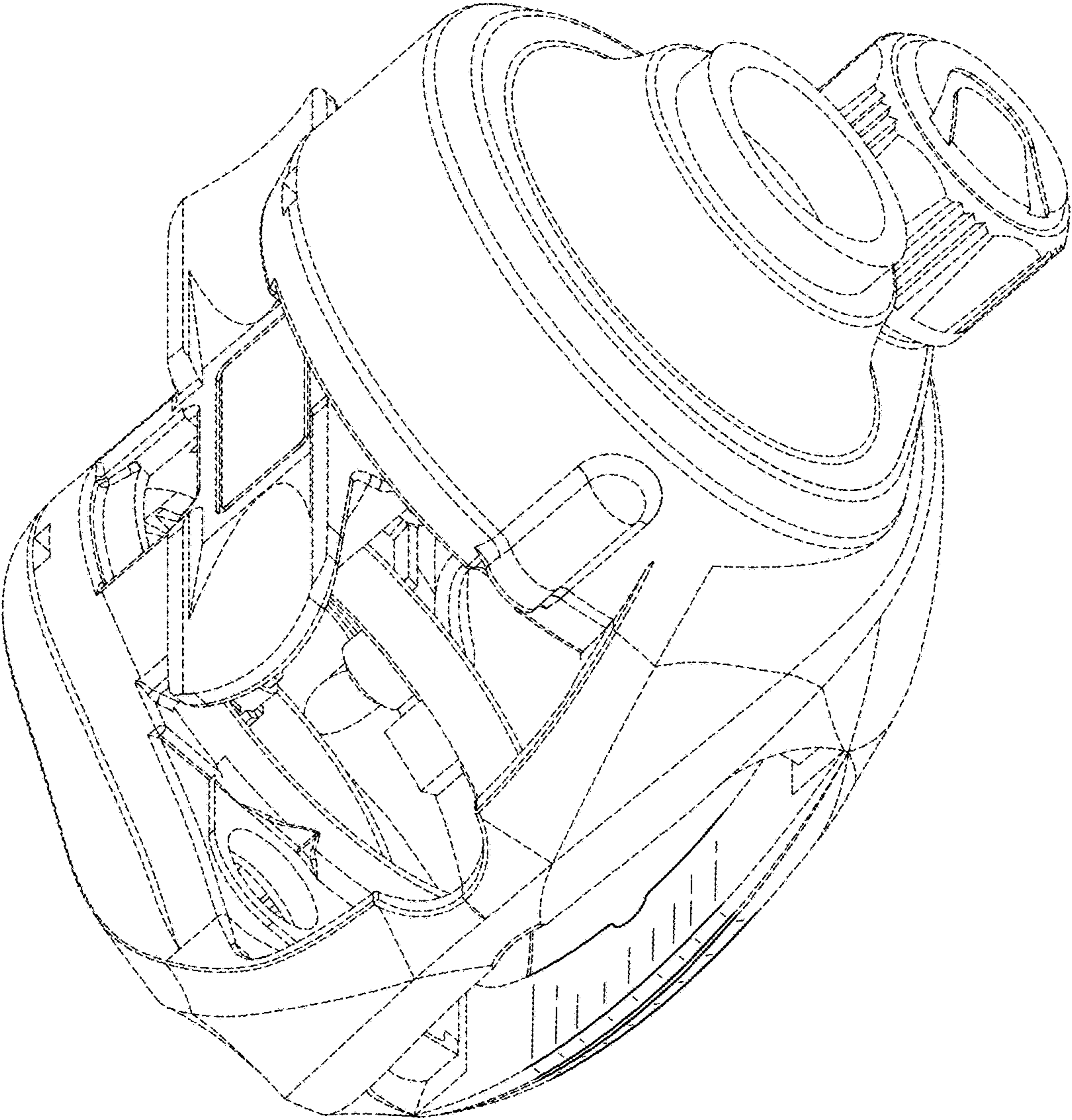


FIG. 2

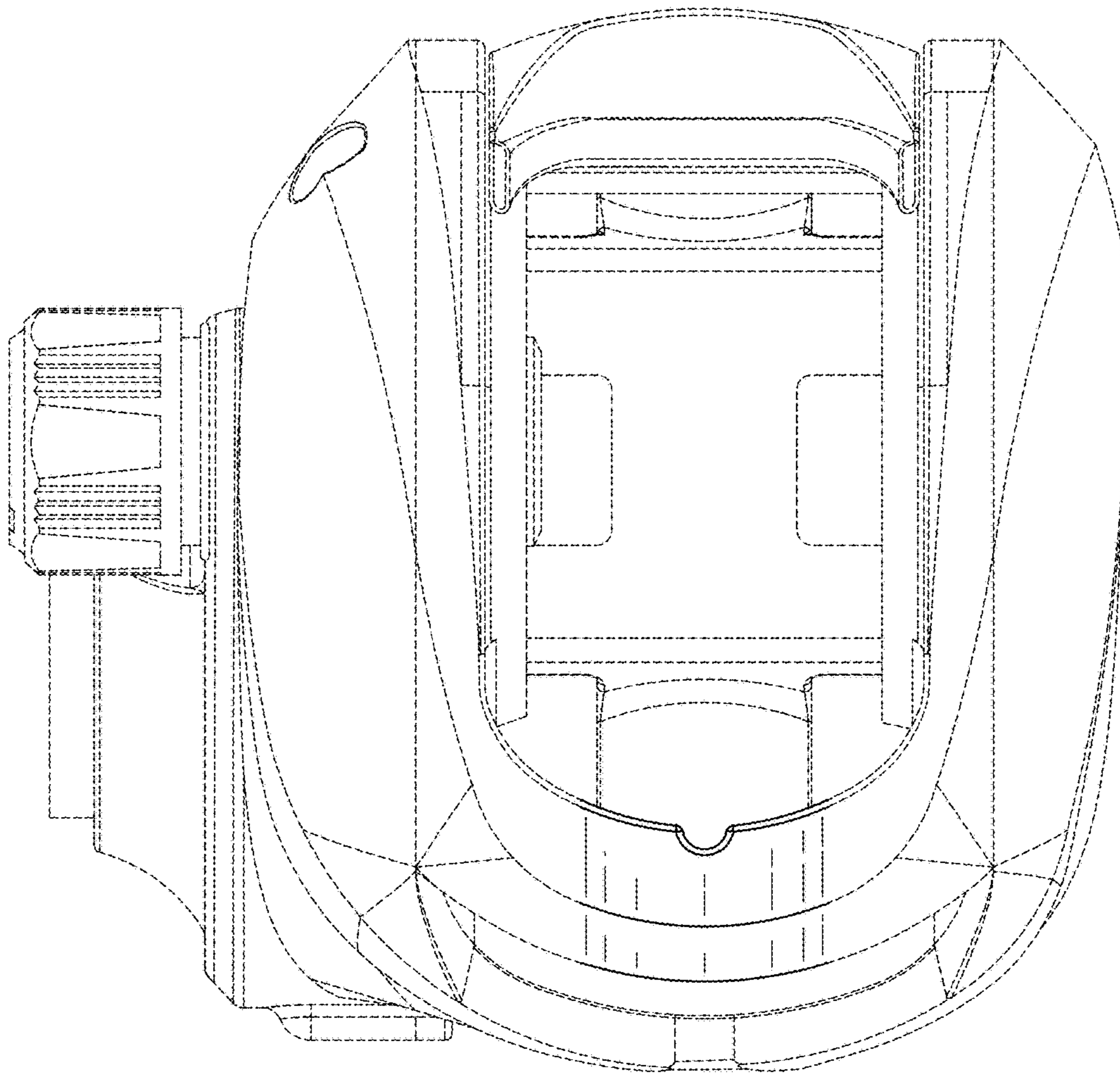


FIG. 3

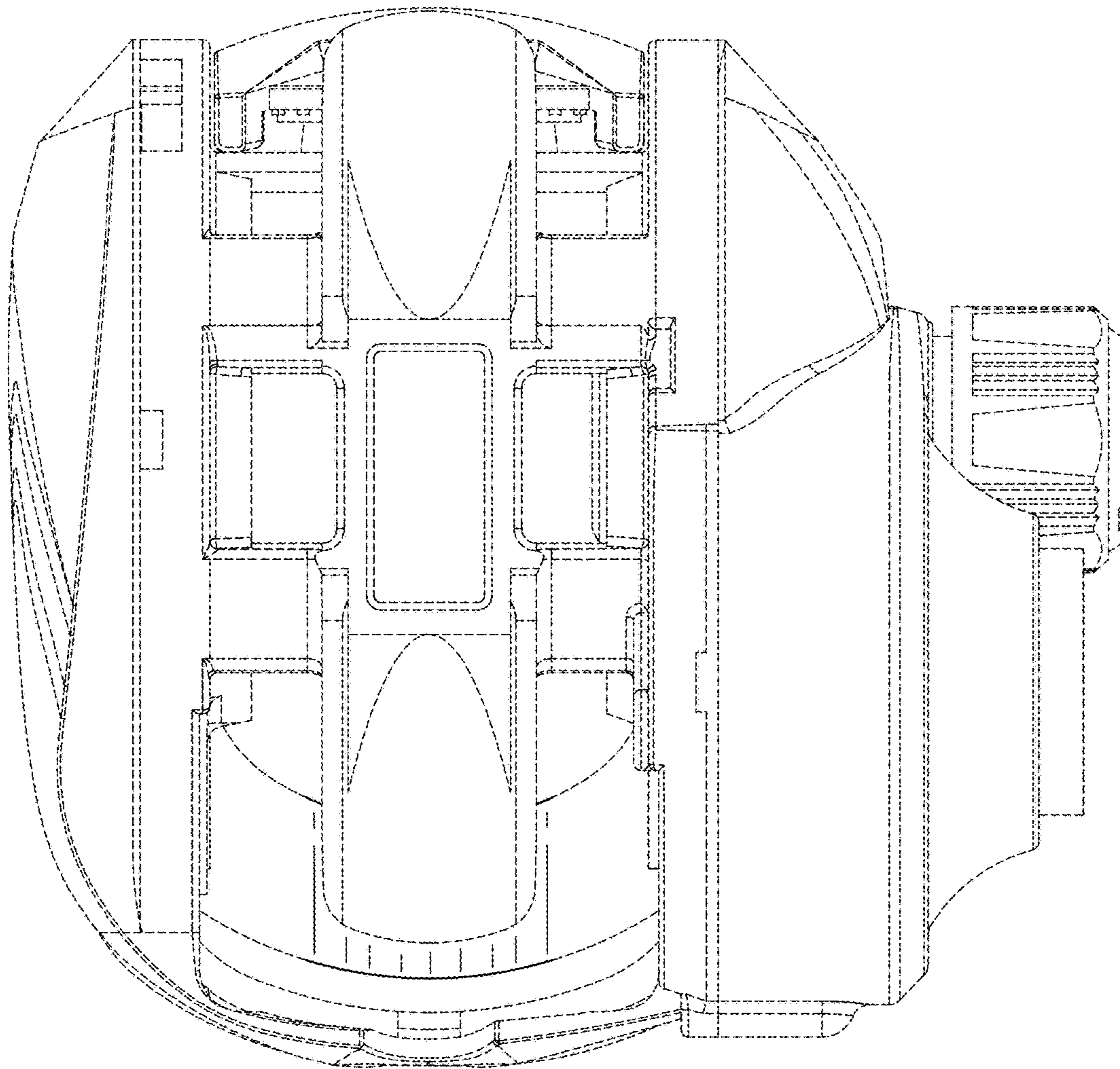


FIG. 4

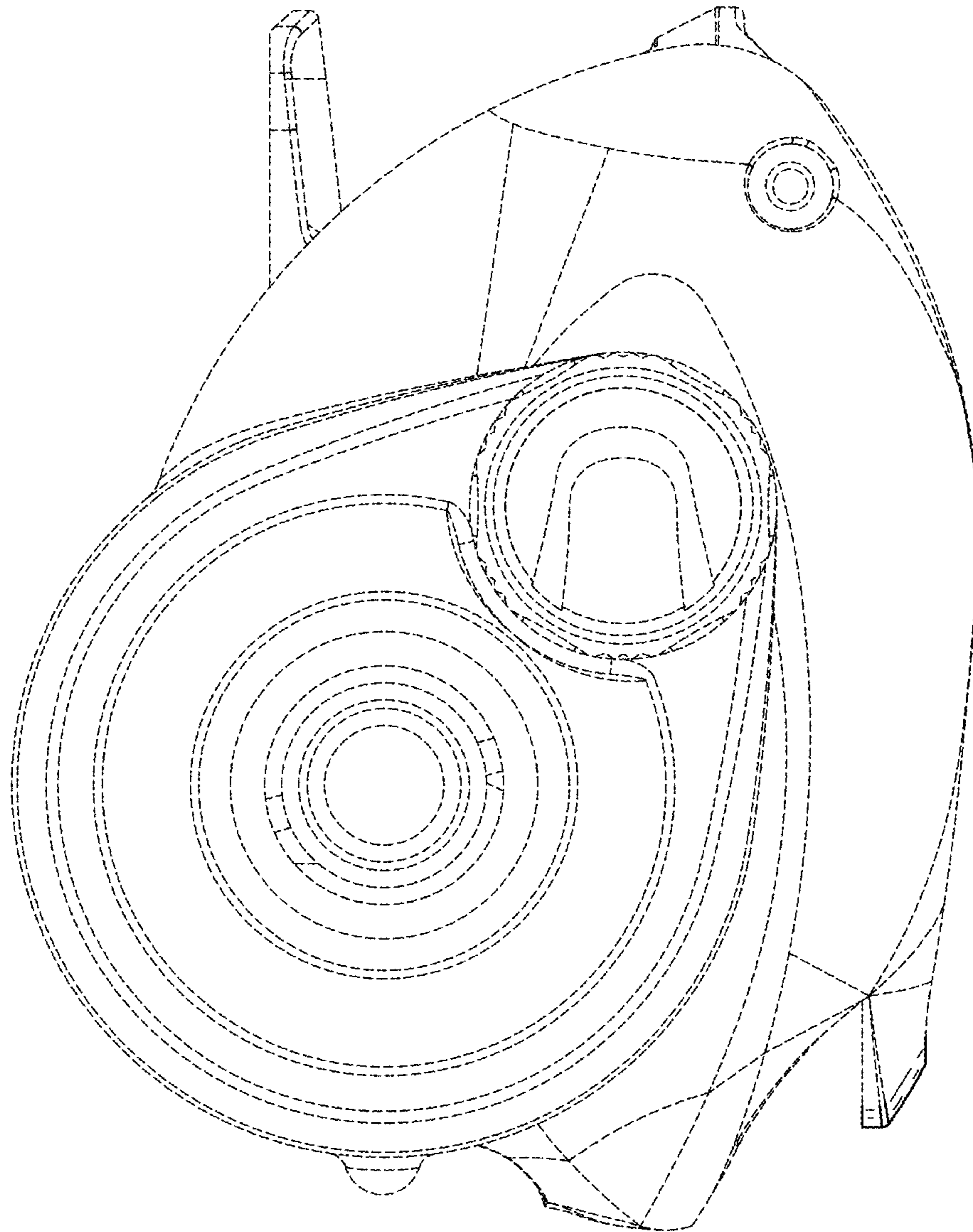


FIG. 5

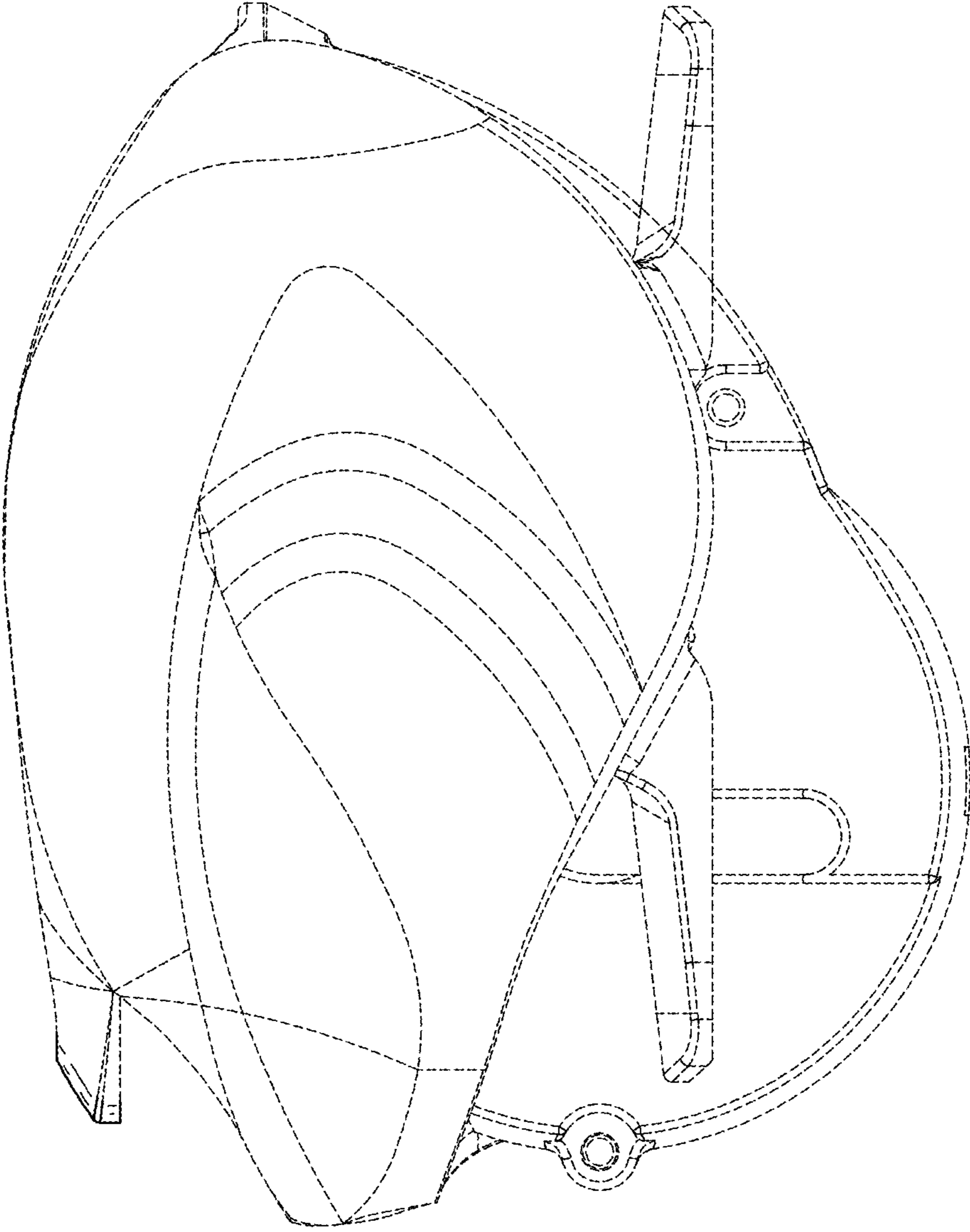


FIG. 6

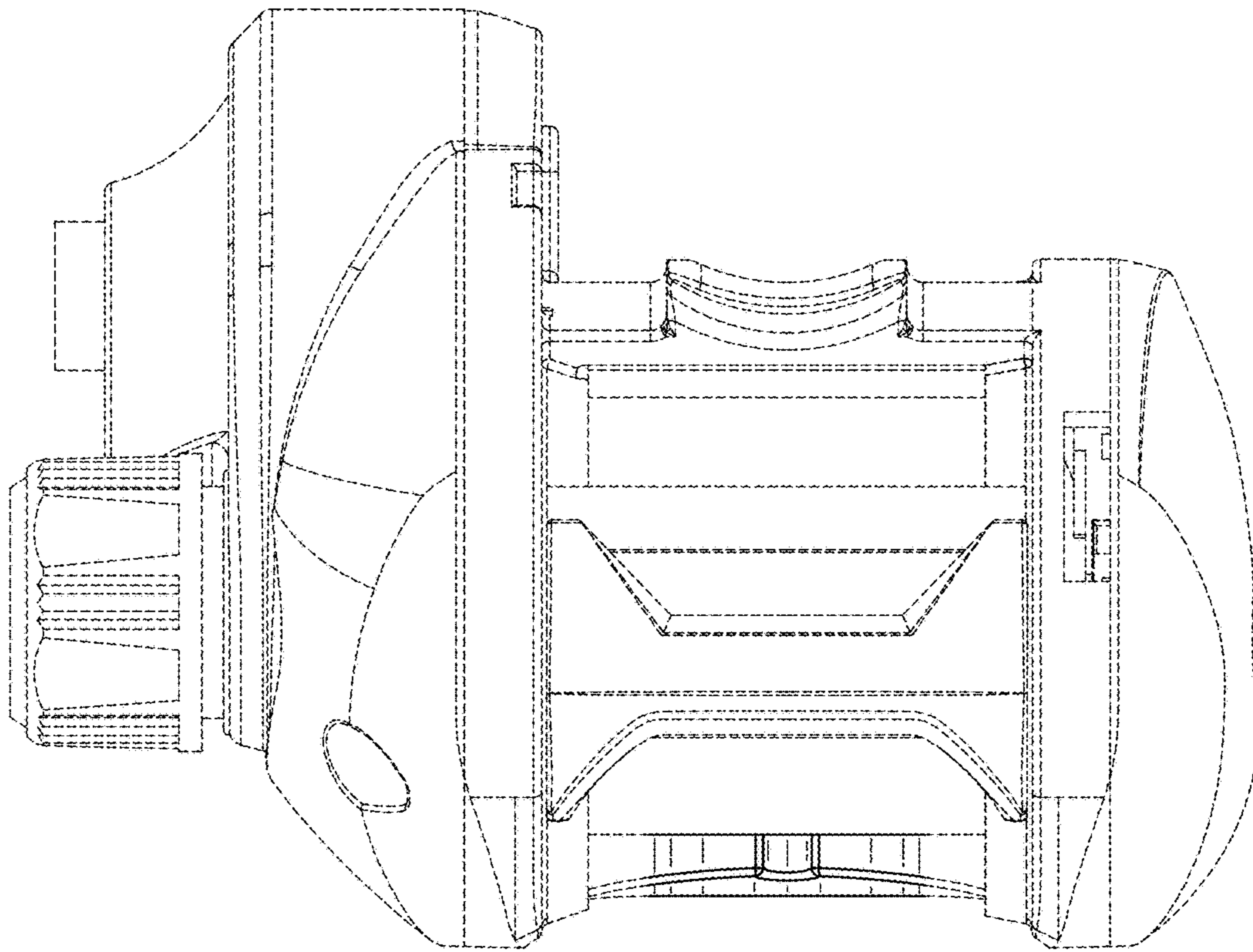


FIG. 7

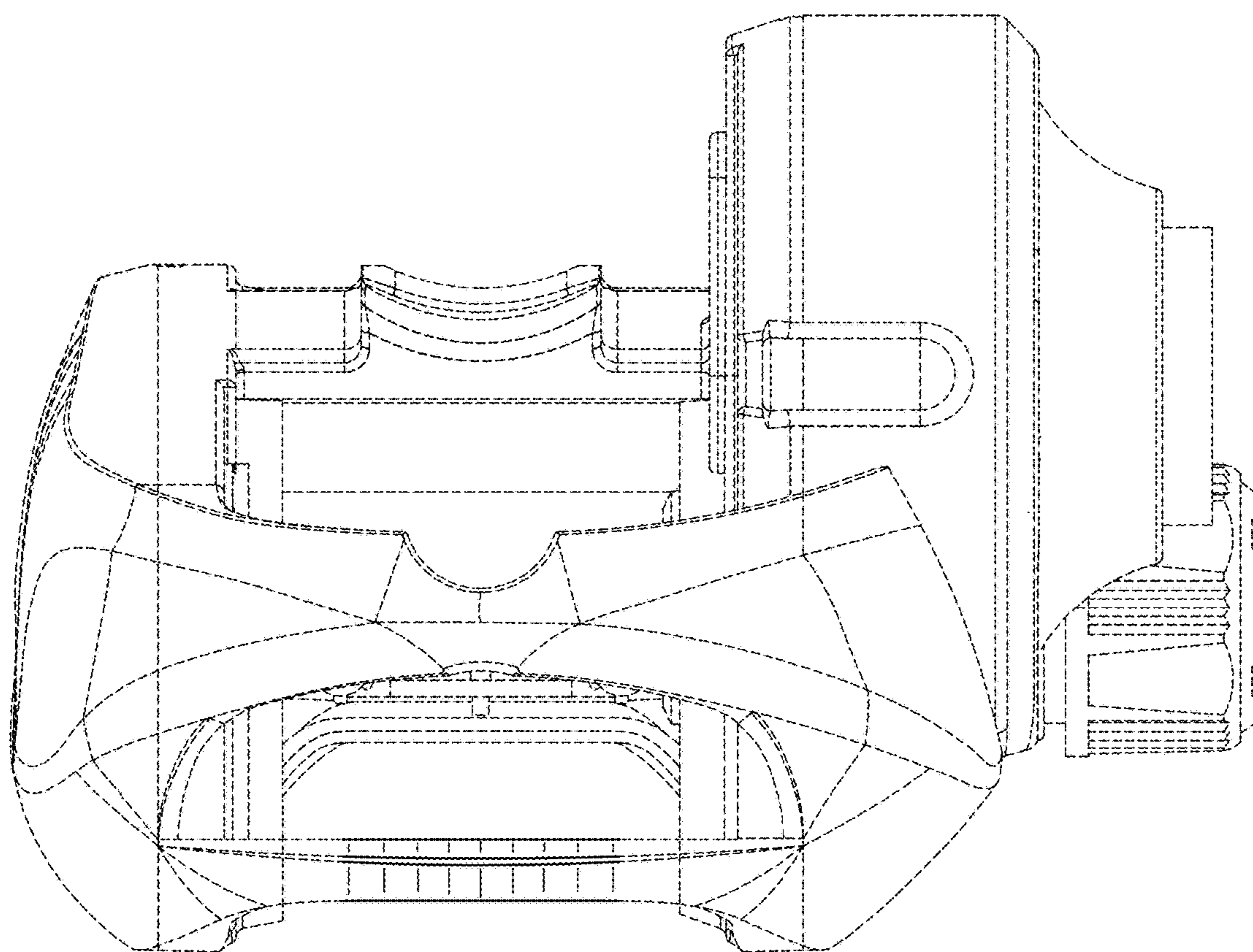


FIG. 8