



US00D819772S

(12) **United States Design Patent**
Jones

(10) **Patent No.:** **US D819,772 S**
(45) **Date of Patent:** **** Jun. 5, 2018**

(54) **PEPPER SPRAY ASSEMBLY**

(71) Applicant: **Monica Jones**, Austin, TX (US)

(72) Inventor: **Monica Jones**, Austin, TX (US)

(**) Term: **15 Years**

(21) Appl. No.: **29/602,658**

(22) Filed: **May 2, 2017**

(51) **LOC (11) Cl.** **22-02**

(52) **U.S. Cl.**
USPC **D22/117**

(58) **Field of Classification Search**
USPC D22/117-120; D3/215; 222/78-79,
222/153.03, 153.11, 162, 175, 39, 113,
222/192, 183, 325, 402.11, 402.21;
89/1.11; 463/47.3, 47.4
CPC F41H 9/10; F41B 15/04; G08B 21/0446;
H05B 3/03; H05B 3/44; F21L 4/00; F21L
4/02; A62B 3/005; A62B 33/00; B65D
83/68; B65D 83/384
See application file for complete search history.

6,123,228 A * 9/2000 Hippensteel A44C 9/0053
222/153.11

6,199,726 B1 * 3/2001 Cardwell, III F41H 9/10
222/183

D501,311 S * 2/2005 Passmore D3/208

D657,551 S * 4/2012 Lynn D3/203.1

8,313,009 B2 * 11/2012 Parisi F41H 9/10
222/153.11

8,453,883 B2 * 6/2013 Habermann F41H 9/10
169/75

D728,063 S * 4/2015 Hwang D22/117

D731,172 S * 6/2015 Atteberry D3/215

9,347,749 B2 * 5/2016 Olah F41H 9/10

2007/0039989 A1 * 2/2007 Nistico A45F 5/02
224/674

2007/0205223 A1 * 9/2007 Hansen F41H 9/10
222/192

2011/0210146 A1 * 9/2011 Dapper F41H 9/10
222/113

* cited by examiner

Primary Examiner — Catherine R Oliver-Garcia

(57) **CLAIM**

The ornamental design for a pepper spray assembly, as shown and described.

(56) **References Cited**

U.S. PATENT DOCUMENTS

5,358,144 A * 10/1994 Mock F41H 9/10
222/175

5,429,301 A * 7/1995 Franks B65D 83/384
222/145.1

5,570,817 A * 11/1996 Anderson F41H 9/10
222/153.11

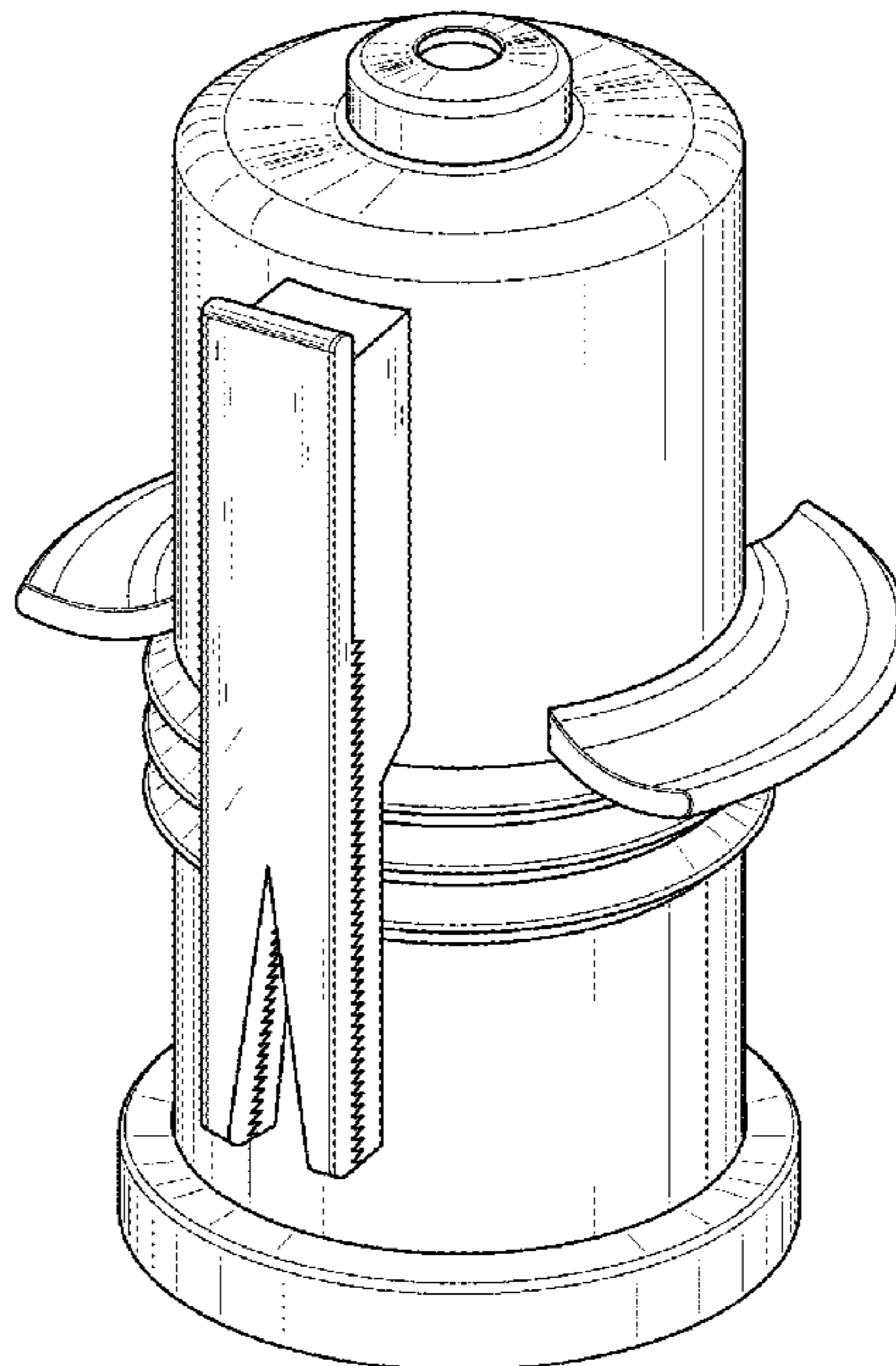
5,897,026 A * 4/1999 Vester F41H 9/10
222/402.11

6,052,051 A * 4/2000 Whalen F41H 9/10
222/1

DESCRIPTION

FIG. 1 is a top, side and rear perspective view of the pepper spray assembly showing the new design with a clip;
FIG. 2 is a rear elevation view thereof;
FIG. 3 is a front elevation view thereof;
FIG. 4 is a side elevation view thereof;
FIG. 5 is an opposite side elevation view thereof;
FIG. 6 is a top plan view thereof; and,
FIG. 7 is a bottom plan view thereof.

1 Claim, 7 Drawing Sheets



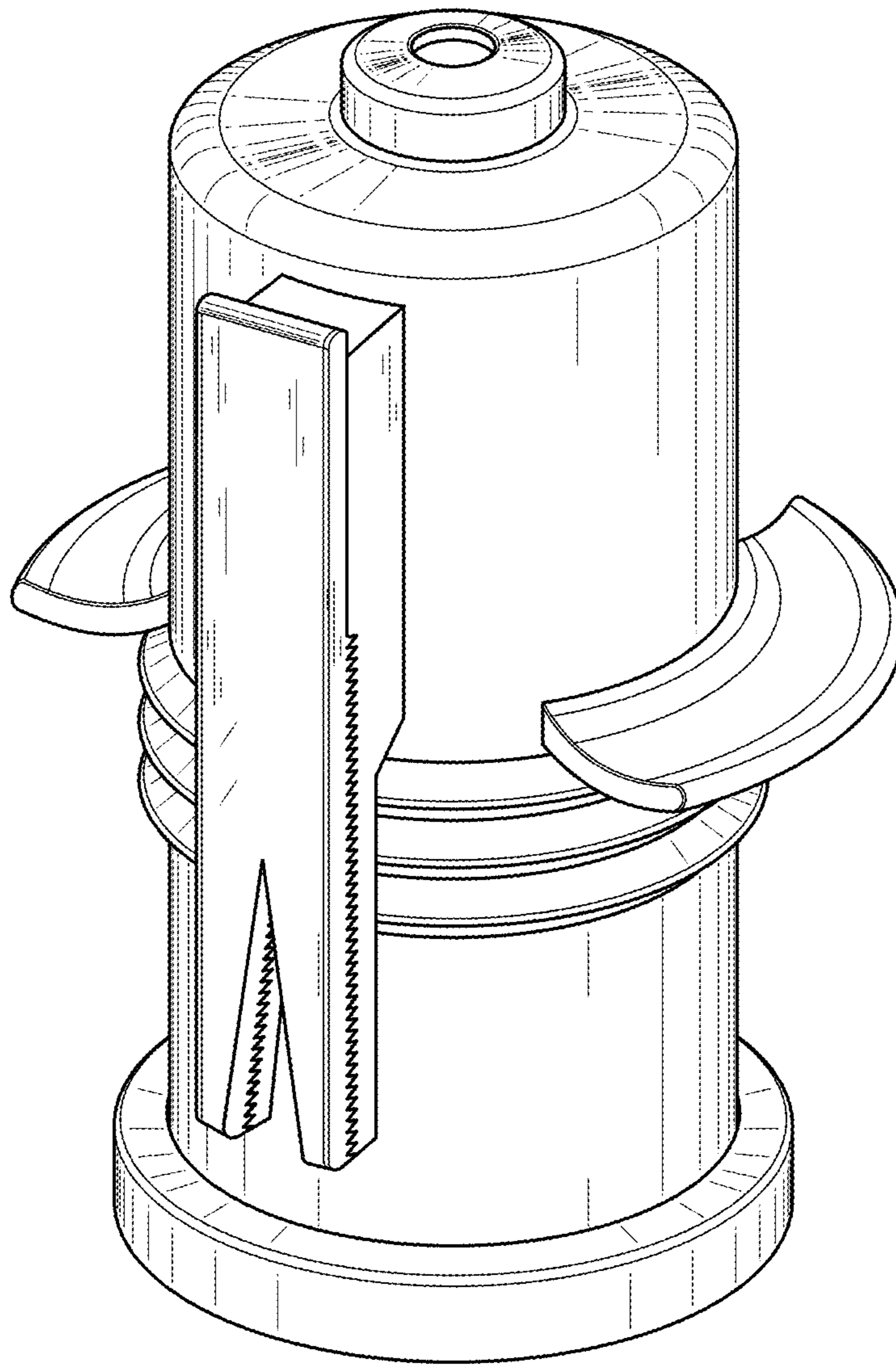


Fig. 1

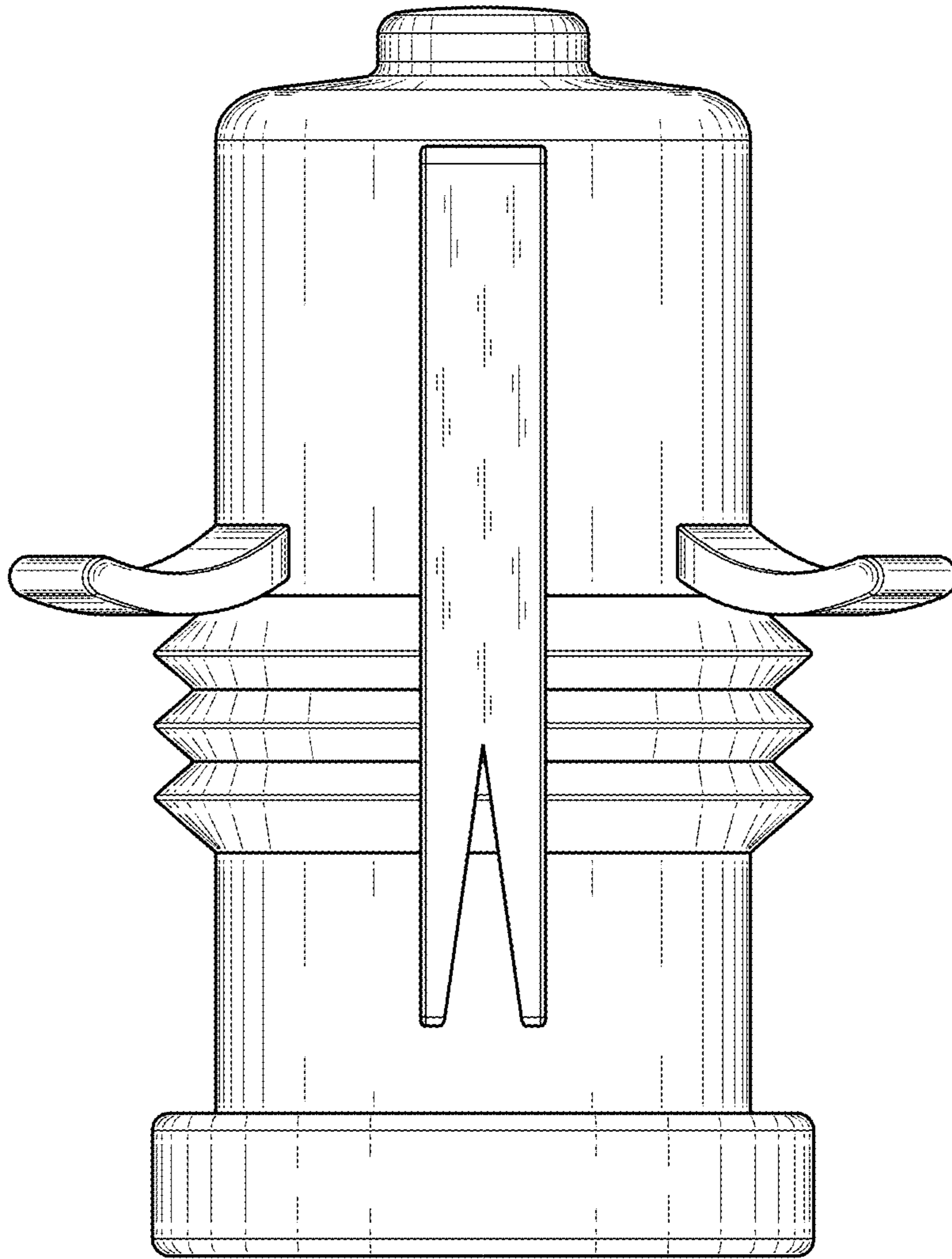


Fig. 2

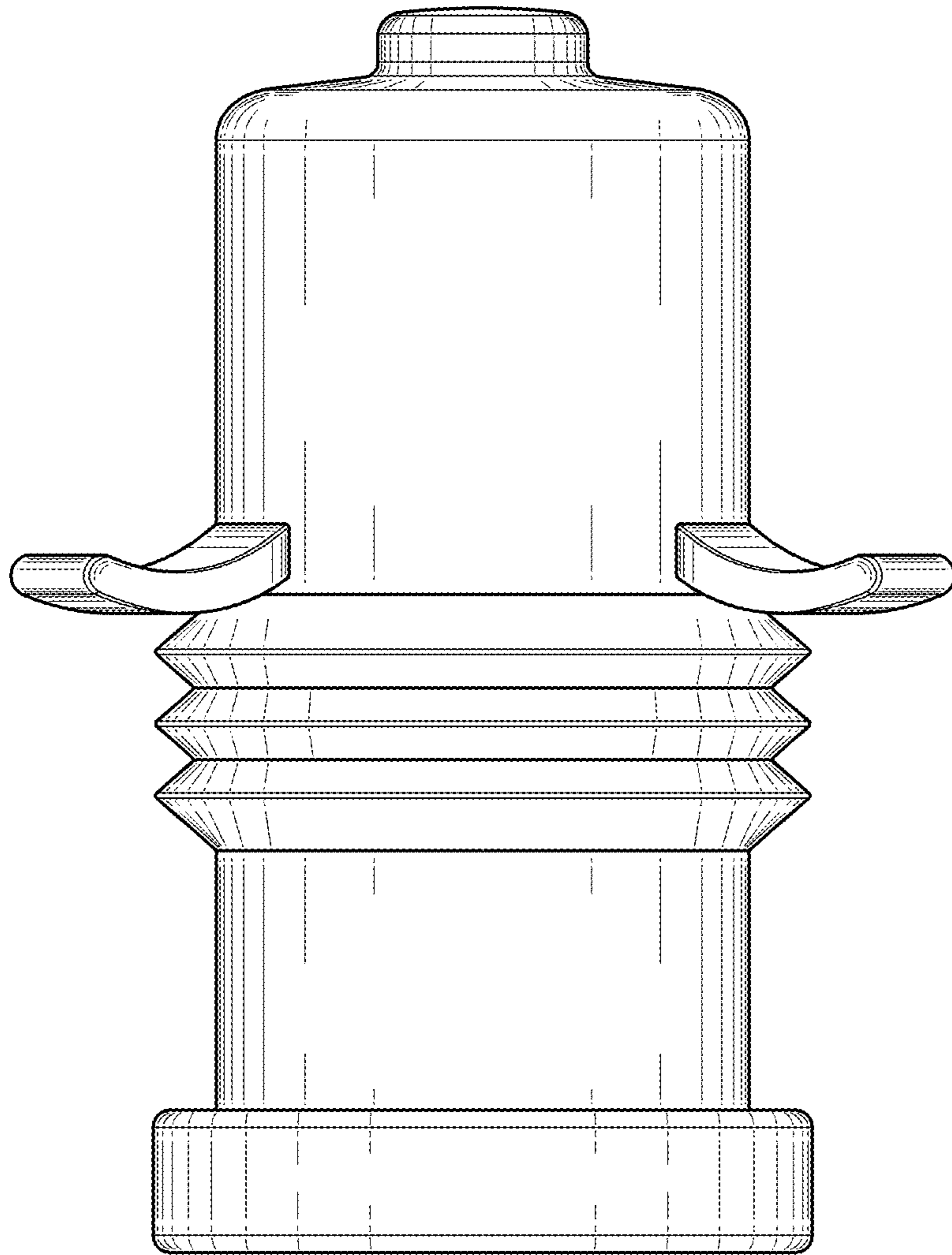


Fig. 3

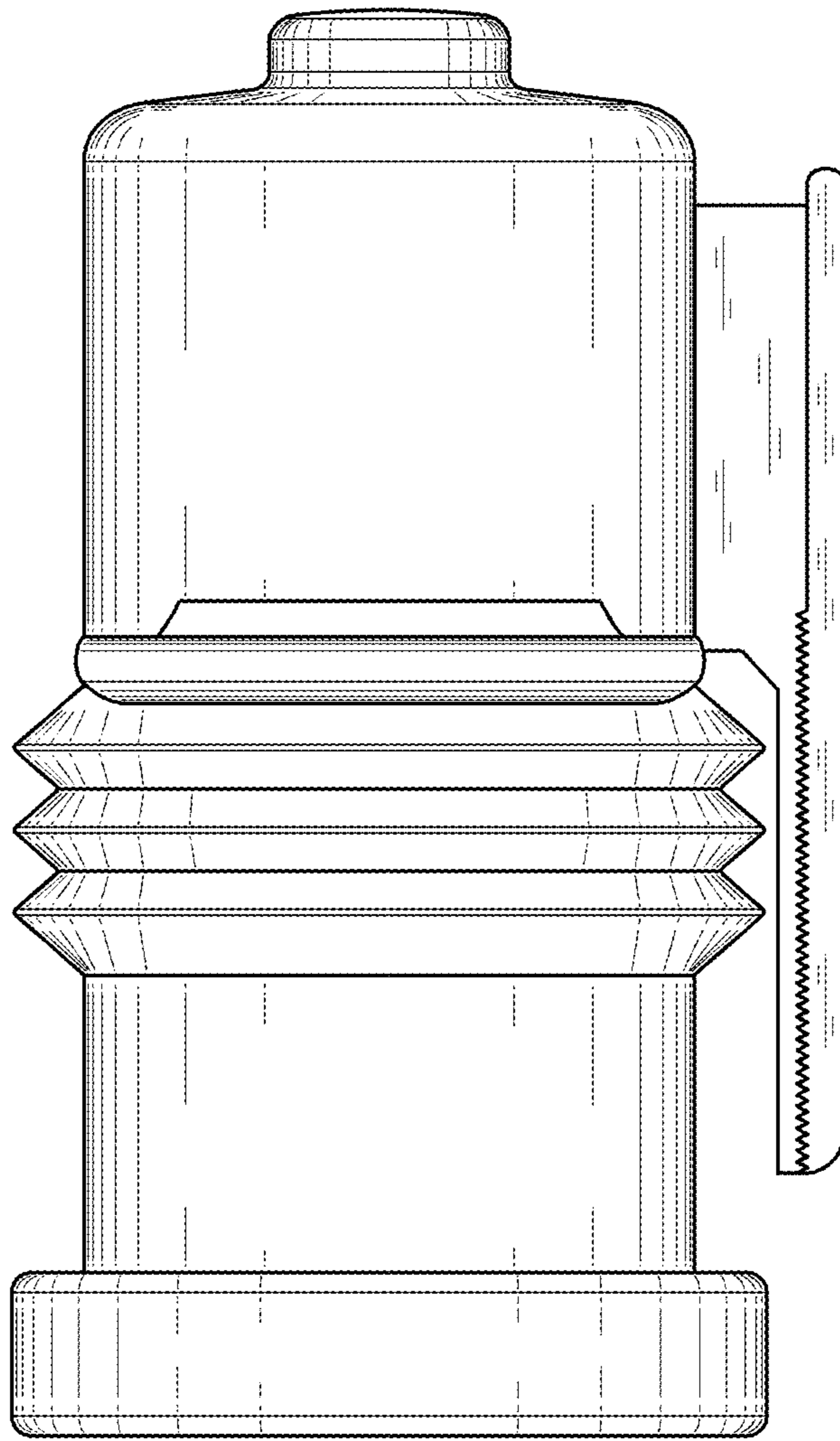


Fig. 4

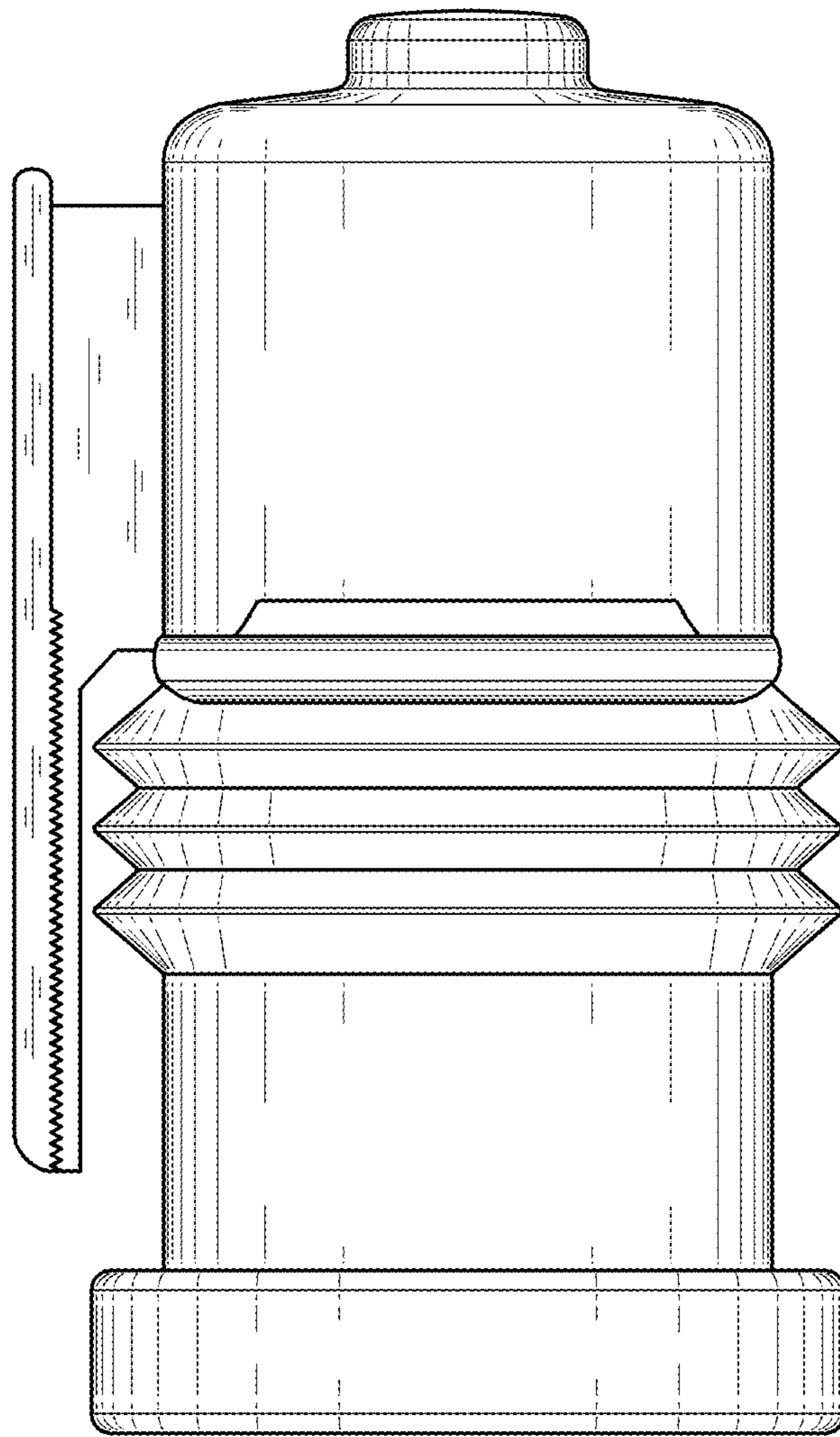


Fig. 5

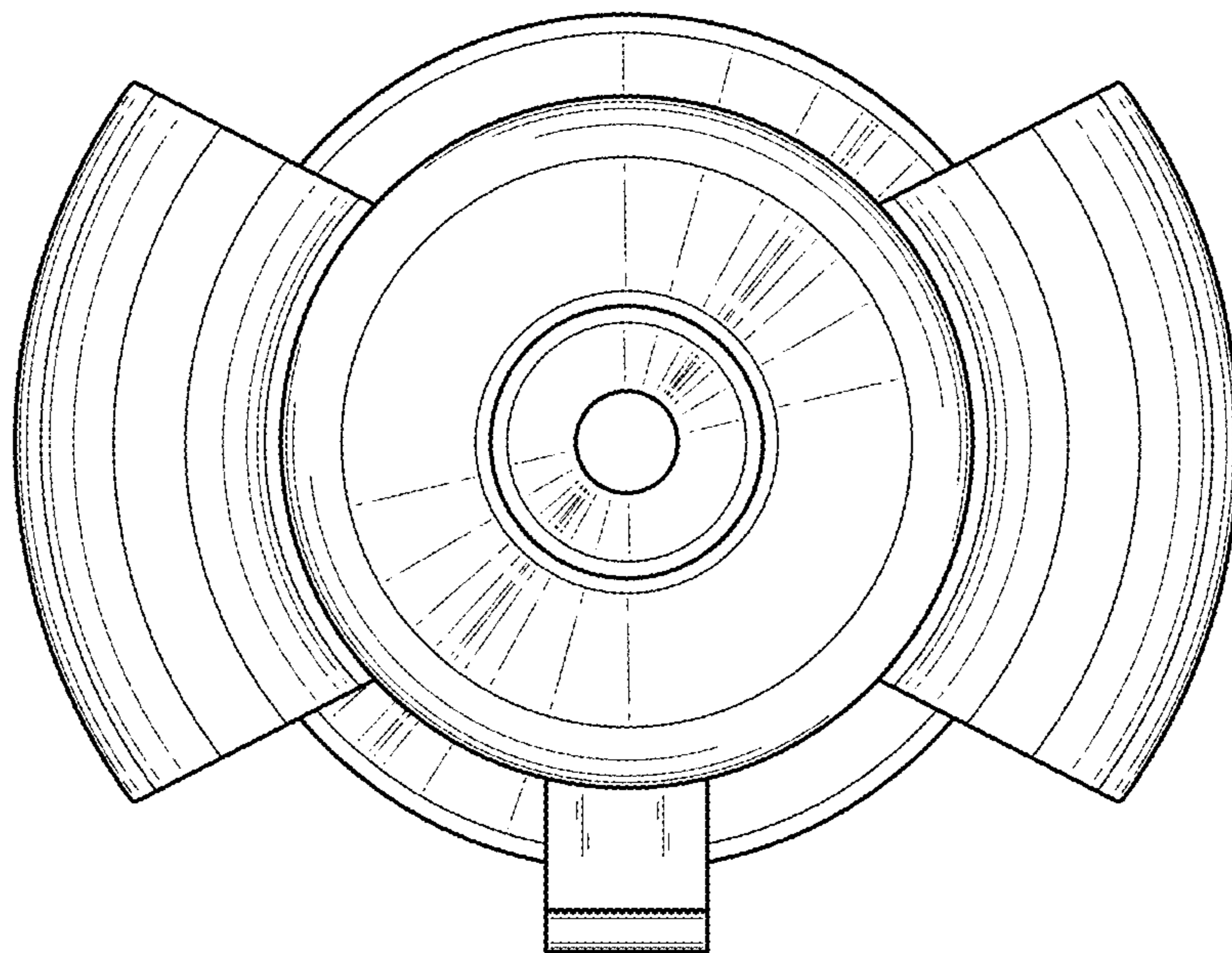


Fig. 6

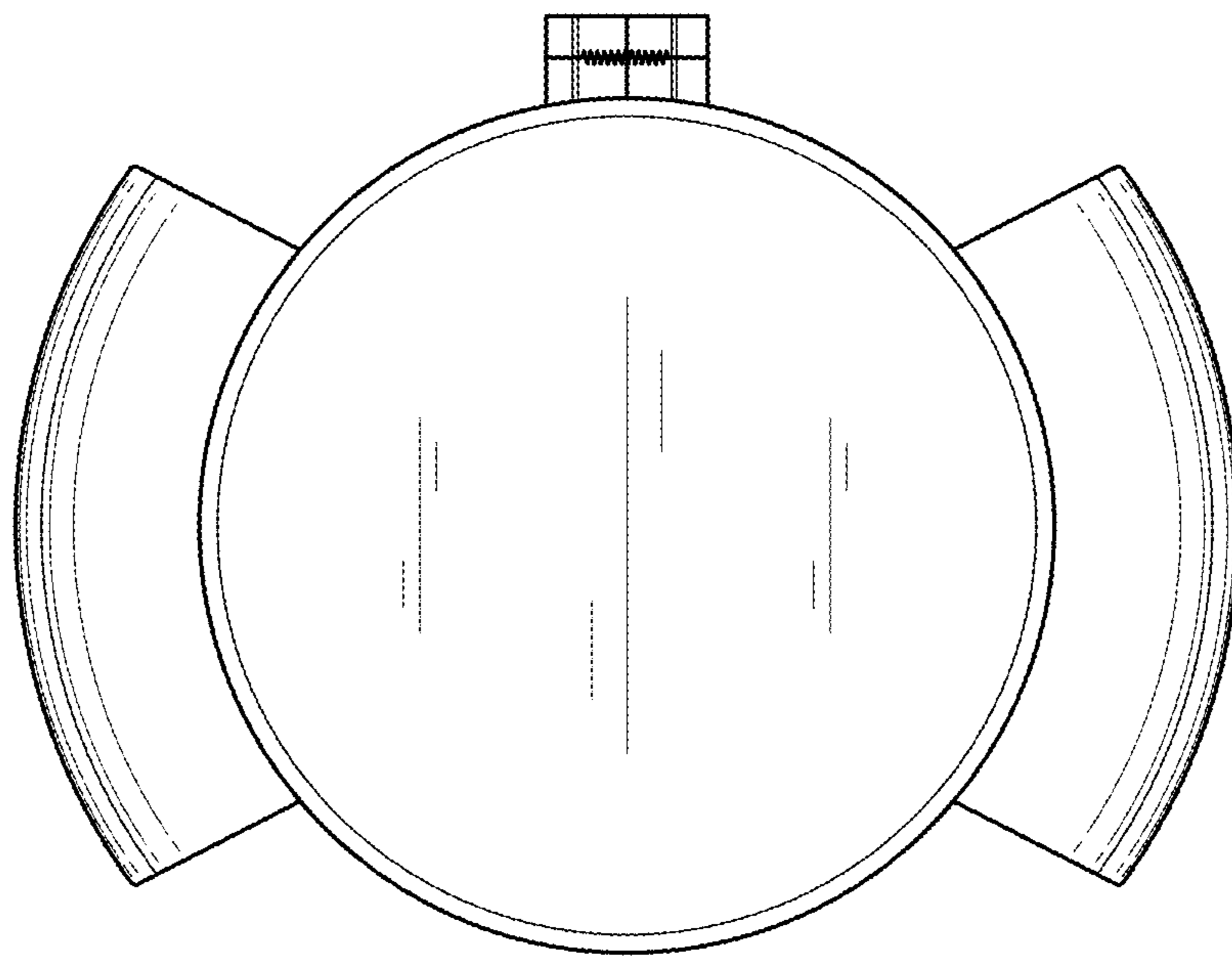


Fig. 7