



US00D819771S

(12) **United States Design Patent**  
**Geissele**

(10) **Patent No.:** **US D819,771 S**  
(45) **Date of Patent:** **\*\* Jun. 5, 2018**

(54) **FIREARM SCOPE MOUNT**

(71) Applicant: **WHG Properties, LLC**, North Wales, PA (US)

(72) Inventor: **William H. Geissele**, Lower Gwynedd, PA (US)

(73) Assignee: **WHG Properties, LLC**, North Wales, PA (US)

(\*\*) Term: **15 Years**

(21) Appl. No.: **29/576,609**

(22) Filed: **Sep. 6, 2016**

**Related U.S. Application Data**

(62) Division of application No. 29/527,424, filed on May 19, 2015, now Pat. No. Des. 779,623.

(51) **LOC (11) Cl.** ..... **22-01**

(52) **U.S. Cl.**

USPC ..... **D22/110**

(58) **Field of Classification Search**

USPC ..... D22/108-111; D16/214; D8/349, 354, D8/355, 373, 377, 380, 382, 394, 395, D8/397

CPC ..... F41G 11/00; F41G 11/001; F41G 11/003; F41G 11/004; F41G 11/007; F41G 1/16

See application file for complete search history.

(56) **References Cited**

**U.S. PATENT DOCUMENTS**

D1,760 S \* 5/1863 Starr ..... D21/761  
773,813 A 11/1904 Saegmuller  
1,181,831 A \* 5/1916 Browne ..... A63C 1/32  
280/11.18

2,642,291 A \* 6/1953 Condon ..... A63C 3/12  
280/825  
D212,690 S \* 11/1968 Kuharsky, Jr. .... D22/110  
D239,114 S \* 3/1976 Kraai ..... D22/109

(Continued)

**OTHER PUBLICATIONS**

30mm Cantilever Rifle scope mount, posted at ebay, posting date Jul. 23, 2014. [online], [site visited Nov. 25, 2017]. Available from Internet, <URL: <https://www.ebay.com/itm/30mm-Cantilever-Rifle-scope-mount-fits-leupold-weaver-vortex-nikon-PEPR-308-223-/161372612539>>.\*

(Continued)

*Primary Examiner* — Kevin R Rudzinski

*Assistant Examiner* — Kathleen L Jones

(74) *Attorney, Agent, or Firm* — Fox Rothschild LLP

(57) **CLAIM**

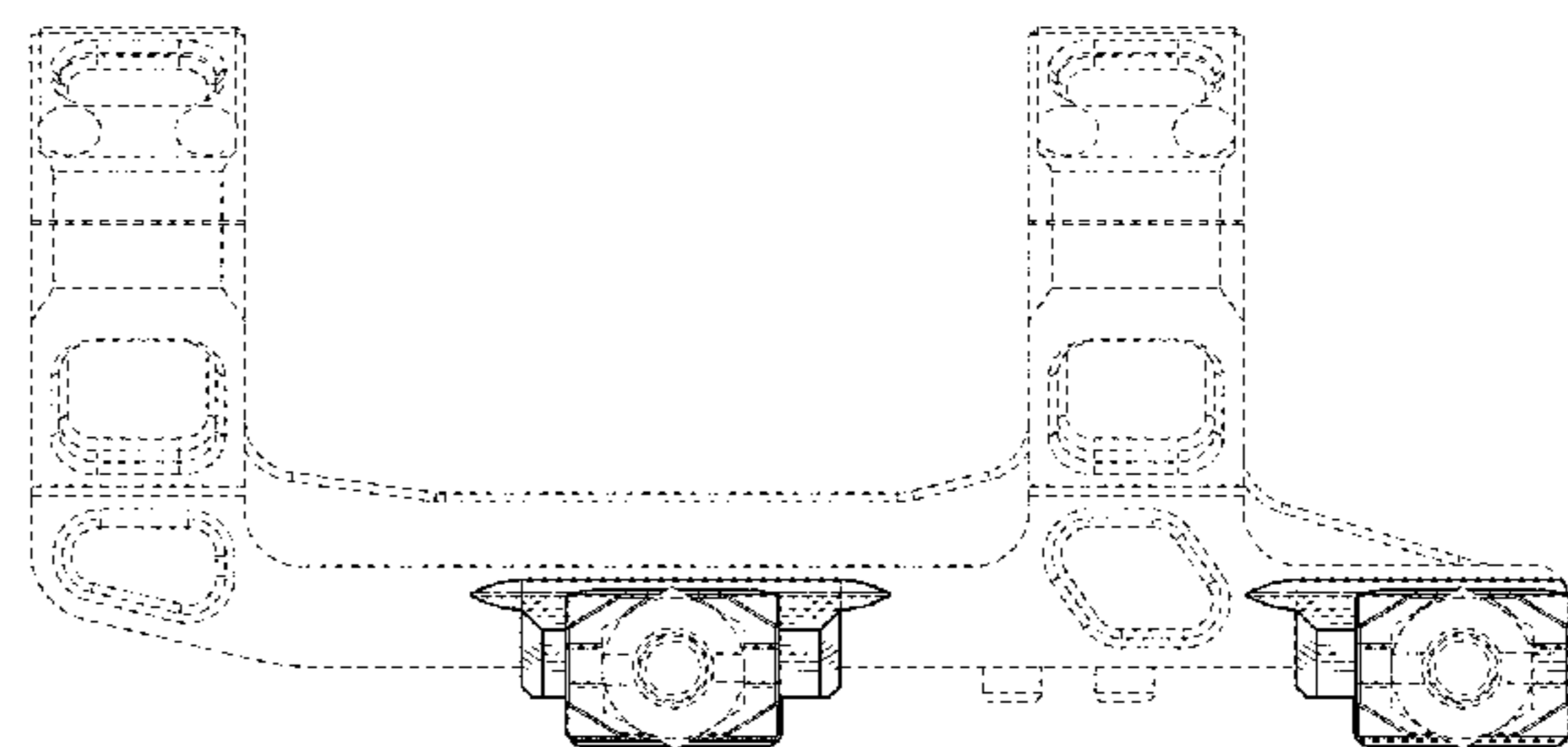
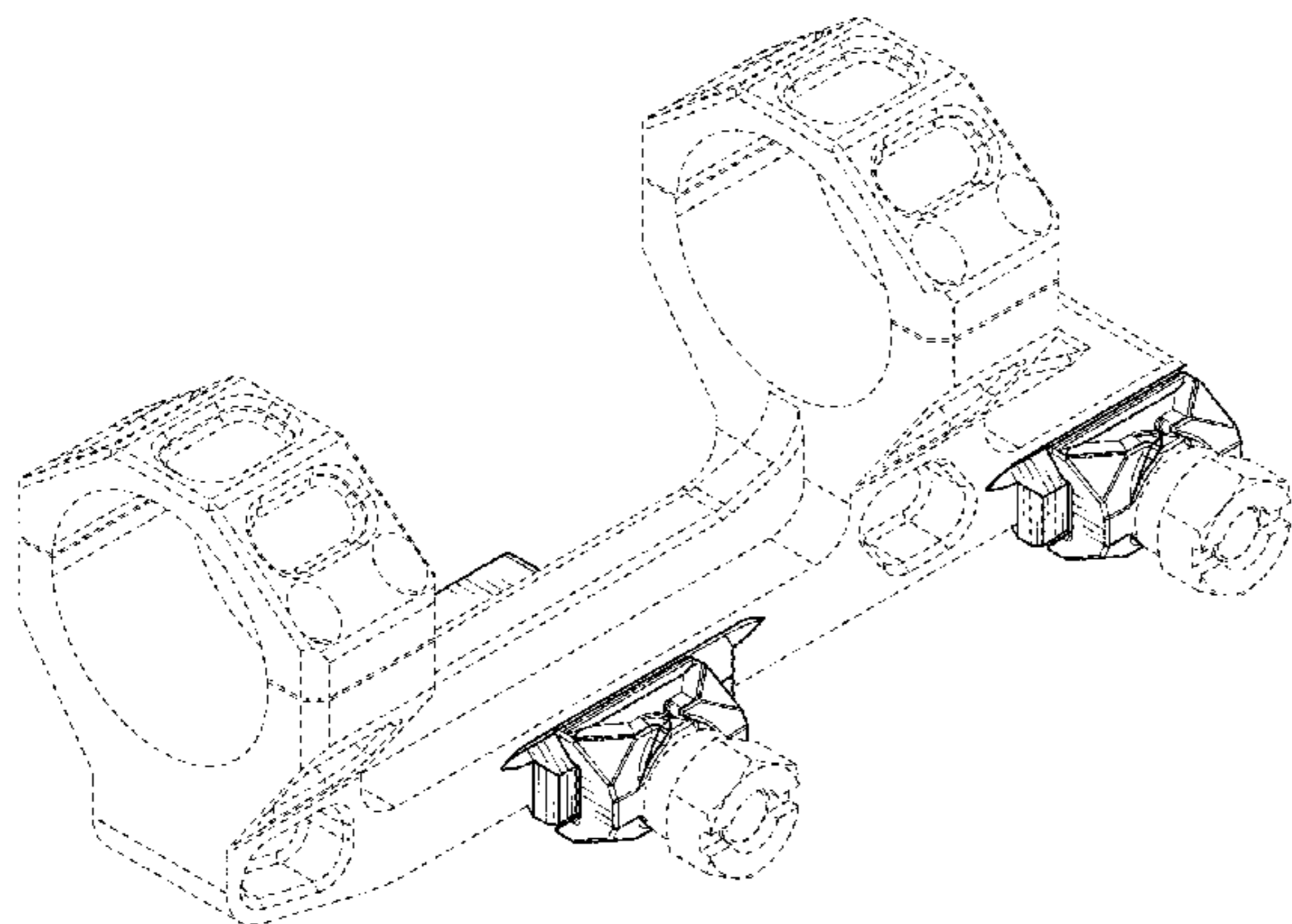
The ornamental design for a firearm scope mount, as shown and described.

**DESCRIPTION**

FIG. 1 is a top, front, left side perspective view of a firearm scope mount in accordance with the present disclosure; FIG. 2 is a bottom, rear, left side perspective view of the firearm scope mount of FIG. 1; FIG. 3 is a top view of the firearm scope mount of FIG. 1; FIG. 4 is a bottom view of the firearm scope mount of FIG. 1; FIG. 5 is a front view of the firearm scope mount of FIG. 1; FIG. 6 is a rear view of the firearm scope mount of FIG. 1; FIG. 7 is a left side view of the firearm scope mount of FIG. 1; and, FIG. 8 is a right side view of the firearm scope mount of FIG. 1.

The broken lines in the Figures are included for the purpose of illustrating portions of the article and form no part of the claimed design.

**1 Claim, 4 Drawing Sheets**



(56)

References Cited

U.S. PATENT DOCUMENTS

4,014,148 A \* 3/1977 Harter ..... E04D 3/3607  
52/403.1  
D255,140 S \* 5/1980 Weast ..... D22/110  
D265,920 S \* 8/1982 Bechtel ..... D22/109  
4,509,282 A \* 4/1985 McMillon ..... F41G 11/003  
42/124  
D317,344 S 6/1991 Klumpp  
5,276,988 A \* 1/1994 Swan ..... F41G 11/003  
42/127  
D383,826 S 9/1997 Weigand  
D403,393 S \* 12/1998 Weast ..... D22/108  
D429,790 S 8/2000 Plonka  
D477,650 S 7/2003 Rubin et al.  
6,722,074 B1 \* 4/2004 Farrell ..... F41G 11/003  
42/124  
D512,761 S 12/2005 Warren  
D554,730 S 11/2007 Coggins  
D598,971 S 8/2009 Peterson  
D600,312 S 9/2009 Swan  
D631,120 S \* 1/2011 Salmon ..... D21/761  
D632,753 S 2/2011 Leighton  
D634,315 S 3/2011 Nousiainen  
8,205,375 B1 \* 6/2012 Swan ..... F41G 1/38  
42/124  
8,429,845 B1 4/2013 Swan  
D685,052 S 6/2013 Mok  
D693,423 S \* 11/2013 Beckett ..... D22/108  
D698,000 S 1/2014 Beckett  
D700,674 S 3/2014 Prieto  
D709,584 S 7/2014 Komatsu et al.  
D713,921 S 9/2014 Williams et al.  
D715,393 S 10/2014 Williams et al.  
9,015,982 B1 4/2015 Powers  
D732,631 S 6/2015 Cheng et al.  
D747,432 S 1/2016 Cheng et al.  
D753,784 S 4/2016 Montes  
D755,342 S 5/2016 Ding  
9,423,102 B2 \* 8/2016 Jigamian ..... F21V 15/04  
9,423,216 B2 8/2016 Cheng  
9,599,431 B2 \* 3/2017 Griffin ..... F41C 27/06  
9,677,853 B2 \* 6/2017 Haugen ..... F41G 11/003  
9,766,038 B2 \* 9/2017 Toole ..... F41G 1/35  
D803,346 S \* 11/2017 McKillips ..... D22/108  
2008/0168696 A1 \* 7/2008 Orne ..... F41A 35/00  
42/90  
2008/0178511 A1 7/2008 Storch  
2009/0101776 A1 4/2009 Peterson  
2012/0085014 A1 \* 4/2012 Riley ..... F41G 11/004  
42/115  
2014/0059908 A1 \* 3/2014 Dextraze ..... F41G 11/002  
42/1.06  
2014/0190062 A1 \* 7/2014 Turner, Jr. .... F41G 11/003  
42/124

2014/0196400 A1 \* 7/2014 Bell ..... E04D 13/0725  
52/705  
2014/0259854 A1 \* 9/2014 Williams ..... F41G 11/003  
42/124  
2014/0317987 A1 \* 10/2014 Kuehl ..... G03B 29/00  
42/90  
2015/0316354 A1 11/2015 Cheng  
2016/0209176 A1 7/2016 Zimmer  
2016/0245621 A1 \* 8/2016 Kintzing ..... F41G 11/003  
2016/0252330 A1 \* 9/2016 Babbitt ..... F16B 2/065  
248/315  
2016/0258716 A1 \* 9/2016 Haugen ..... F41G 11/003  
2016/0377385 A1 \* 12/2016 Culp ..... F41G 11/003  
42/126  
2017/0102213 A1 \* 4/2017 Bartoszewicz ..... F41G 11/003

OTHER PUBLICATIONS

Blackcat Airsoft 25/30mm GE Dual Scope Mount, posted at RedWolf Airsoft, posting date Jul. 2, 2016. [online], [site visited Nov. 25, 2017]. Available from Internet, <URL: [https://web.archive.org/web/20160702172139/http://www.redwolfairsoft.com/redwolf/airsoft/Accessories\\_Scope\\_Rails\\_Mounts\\_Blackcat\\_Airsoft\\_25\\_30mm\\_GE\\_Dual\\_Scope\\_Mount\\_Tan.htm](https://web.archive.org/web/20160702172139/http://www.redwolfairsoft.com/redwolf/airsoft/Accessories_Scope_Rails_Mounts_Blackcat_Airsoft_25_30mm_GE_Dual_Scope_Mount_Tan.htm)>.\*  
Cal, Scope Mounts-What the Pros Use, posted at PrecisionRifleBlog, posting date Oct. 28, 2014. [online], [site visited Oct. 17, 2016]. Available from Internet, <URL: <http://precisionrifleblog.com/2014/10/28/scope-mounts-what-the-pros-use/>>.\*  
CCOP MNT-1516 High Profile AR-ArmourTac Rifle Scope Mount Rings for Picatinny Rail, 30mm, posted at Amazon, review posting date Oct. 14, 2014. [online], [site visited Dec. 1, 2017]. Available from Internet, <URL: <https://www.amazon.com/CCOP-MNT-1516-Profile-AR-ArmourTac-Picatinny/dp/B00DP26OUK>>.\*  
Nightforce X-Treme Duty Riflescope, posted at Sportsman's Warehouse, posting date Nov. 9, 2016. [online], [visited Dec. 1, 2017]. <URL:<https://web.archive.org/web/20161109092351/http://www.sportsmanswarehouse.com/sportsmans/Nightforce-X-Treme-Duty-20-MOA-Ultraliteandtrade-Riflescope-Unimountandtrade/productDetail/Scope-Rings/prod99999034521/cat100747>>.\*  
Cal, Scope Mounts-What the Pros Use, *Precision Rifle Blog* at <http://precisionrifleblog.com/2014/10/28/scope-mounts-what-the-pros-use/> (Oct. 28, 2014).  
Leupold Mark 2 Integral Mounting System PicatinnyStyle Mount AR15 FlatTop Matte, *Midway* at <http://www.midwayusa.com/product/1362291726/leupold-mark-2-i-n-tegral-mounting-system-ims-1-piece-picatinny-style-mountar-15-flat-top-matte> (Dec. 2014).  
Reviews & Ratings for Leupold Mark 2 IMS AR Riflescope Rings Mount, posted at Optics Planet, comment posting date Aug. 5, 2011, <<https://www.opticsplanet.com/reviews/reviews-leupold-mark-2-ims-ar-riflescope-rings-mount.html>>.

\* cited by examiner

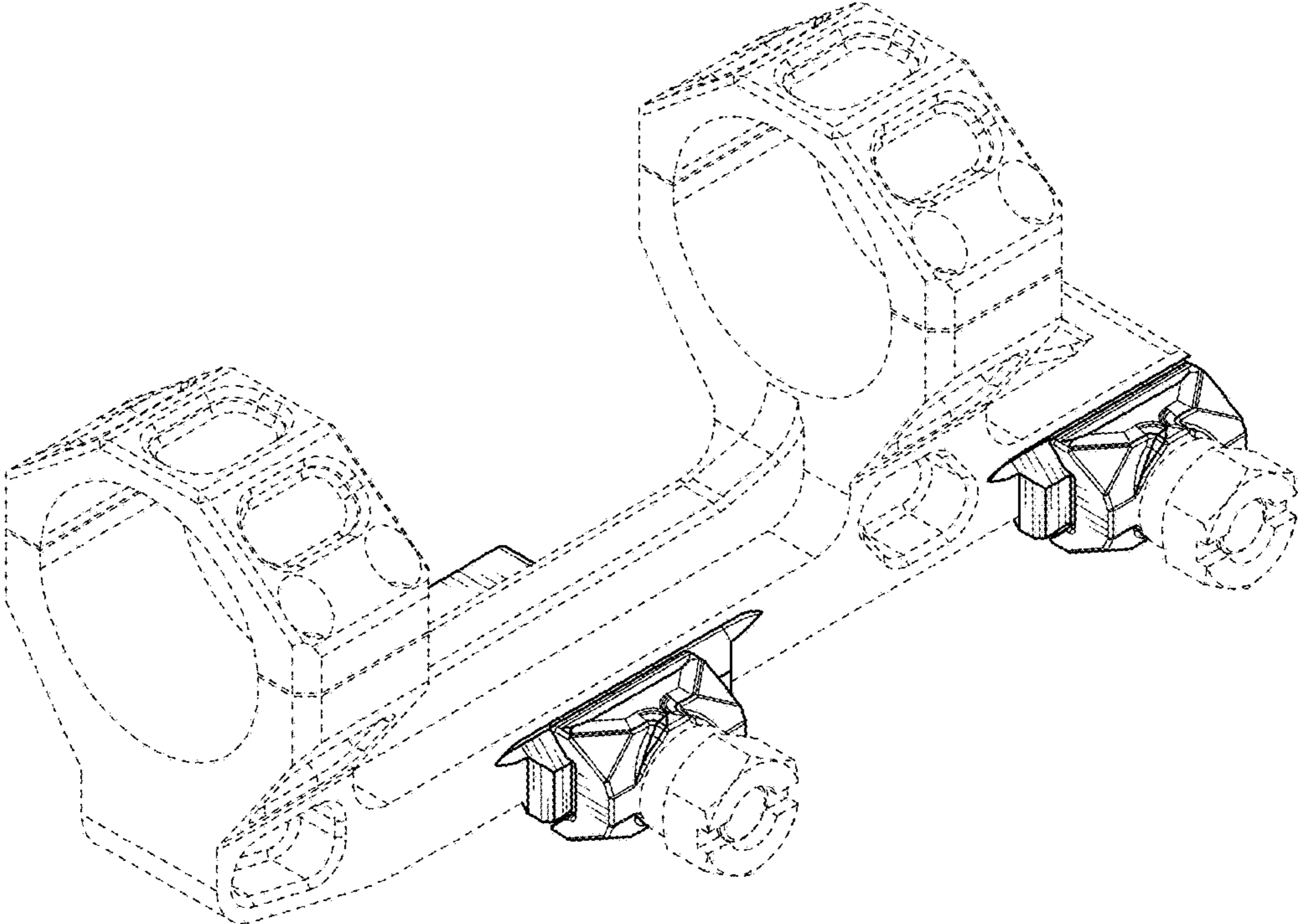


FIG. 1

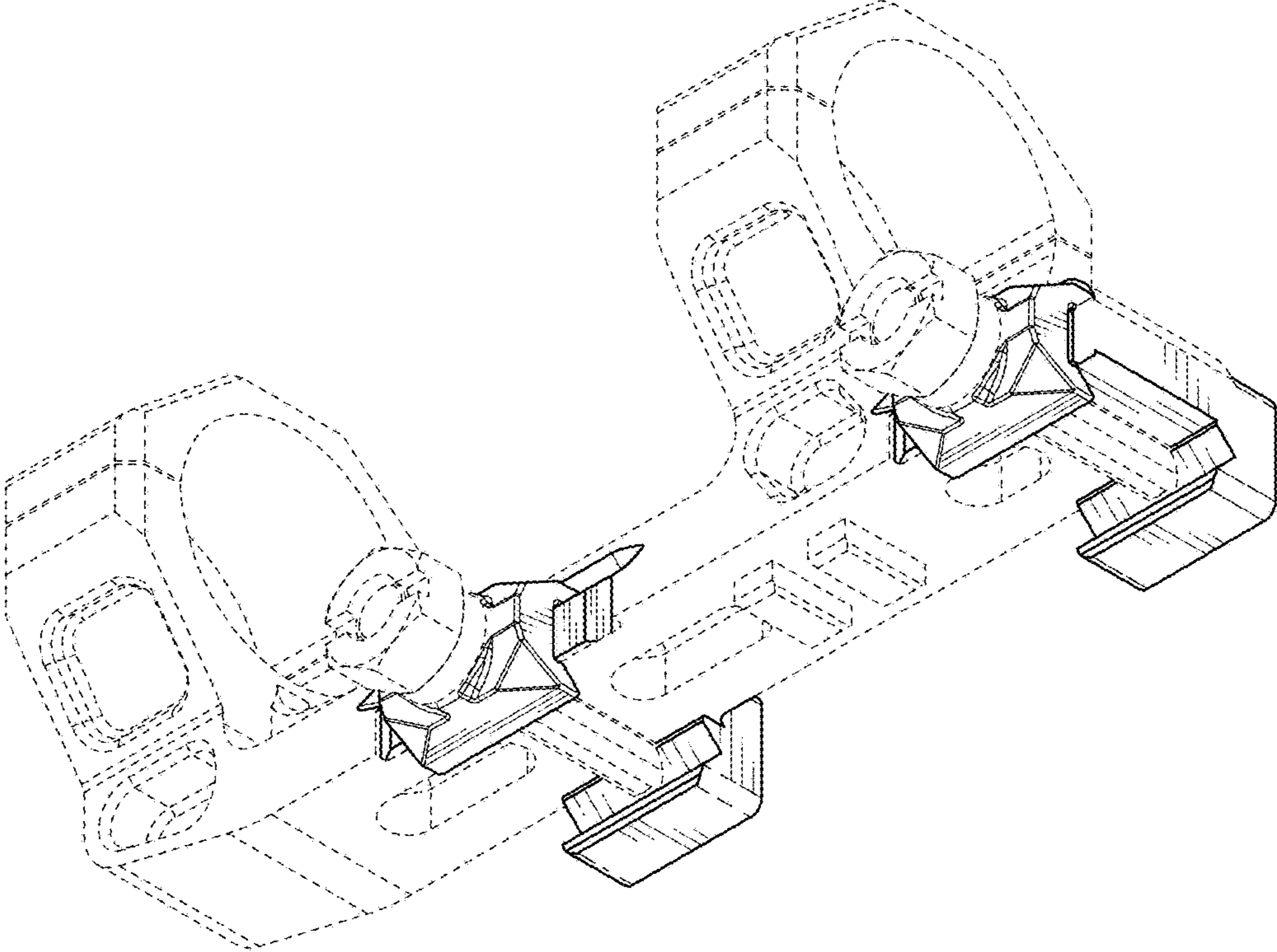


FIG. 2

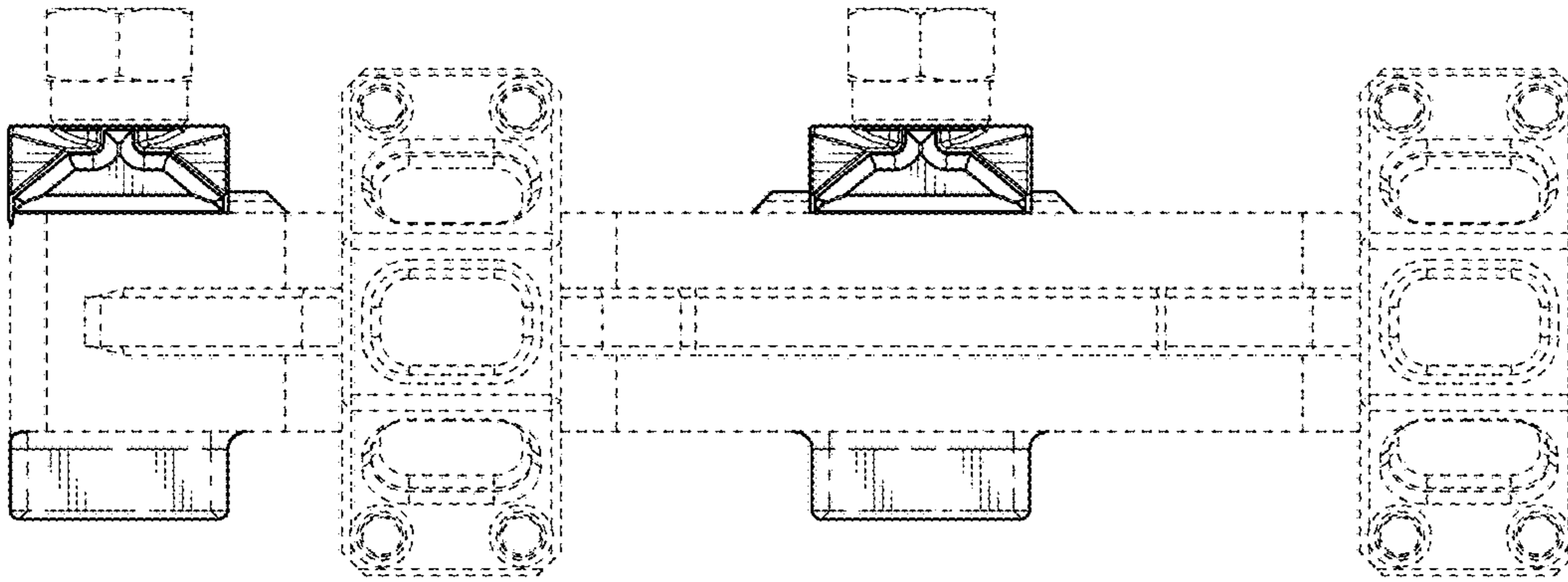


FIG. 3

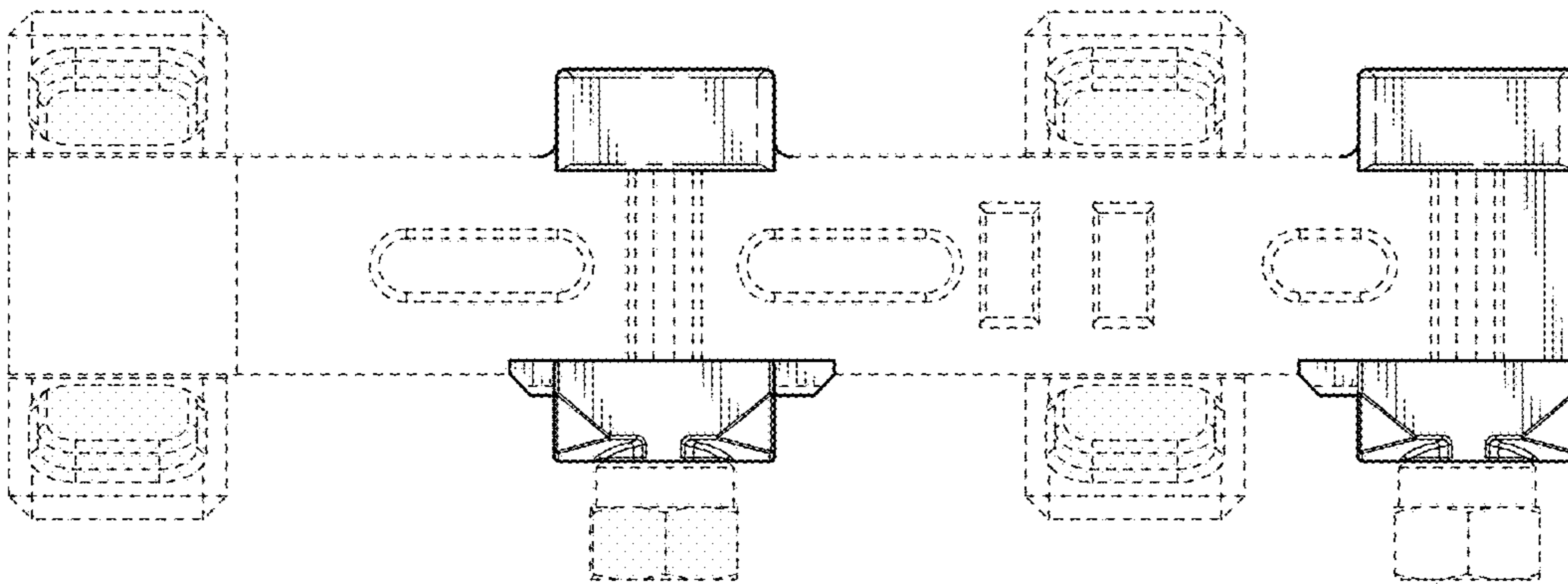


FIG. 4

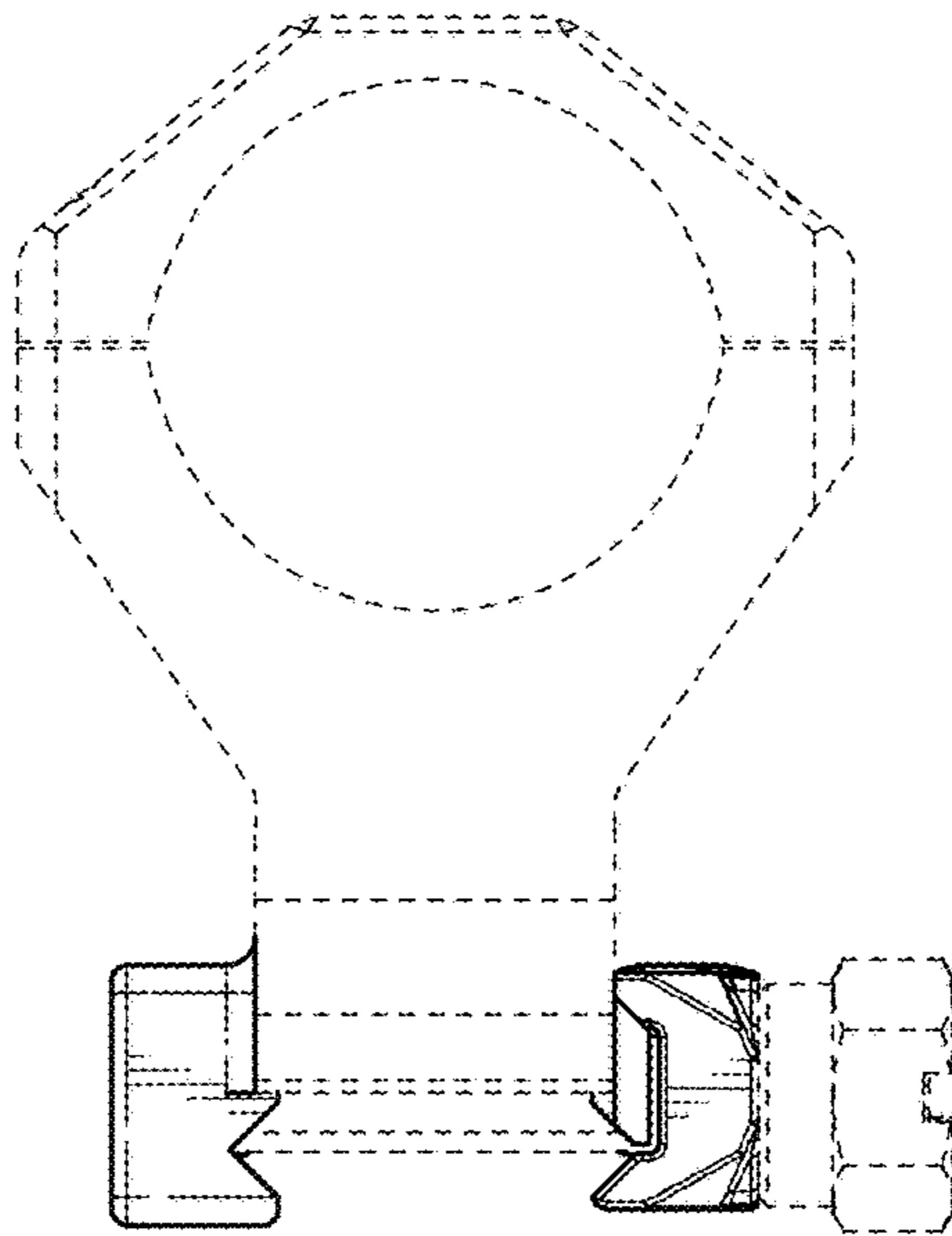


FIG. 5

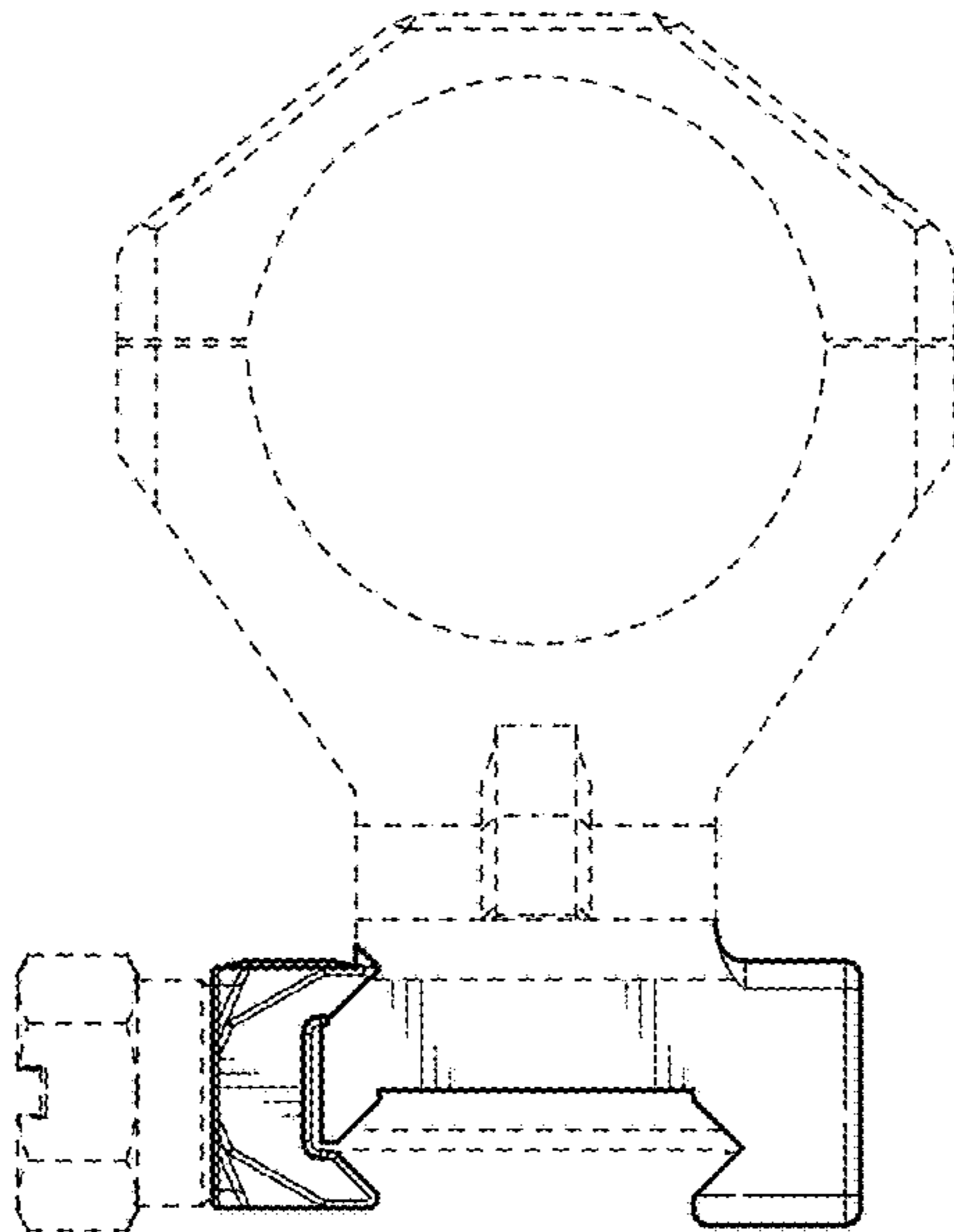


FIG. 6

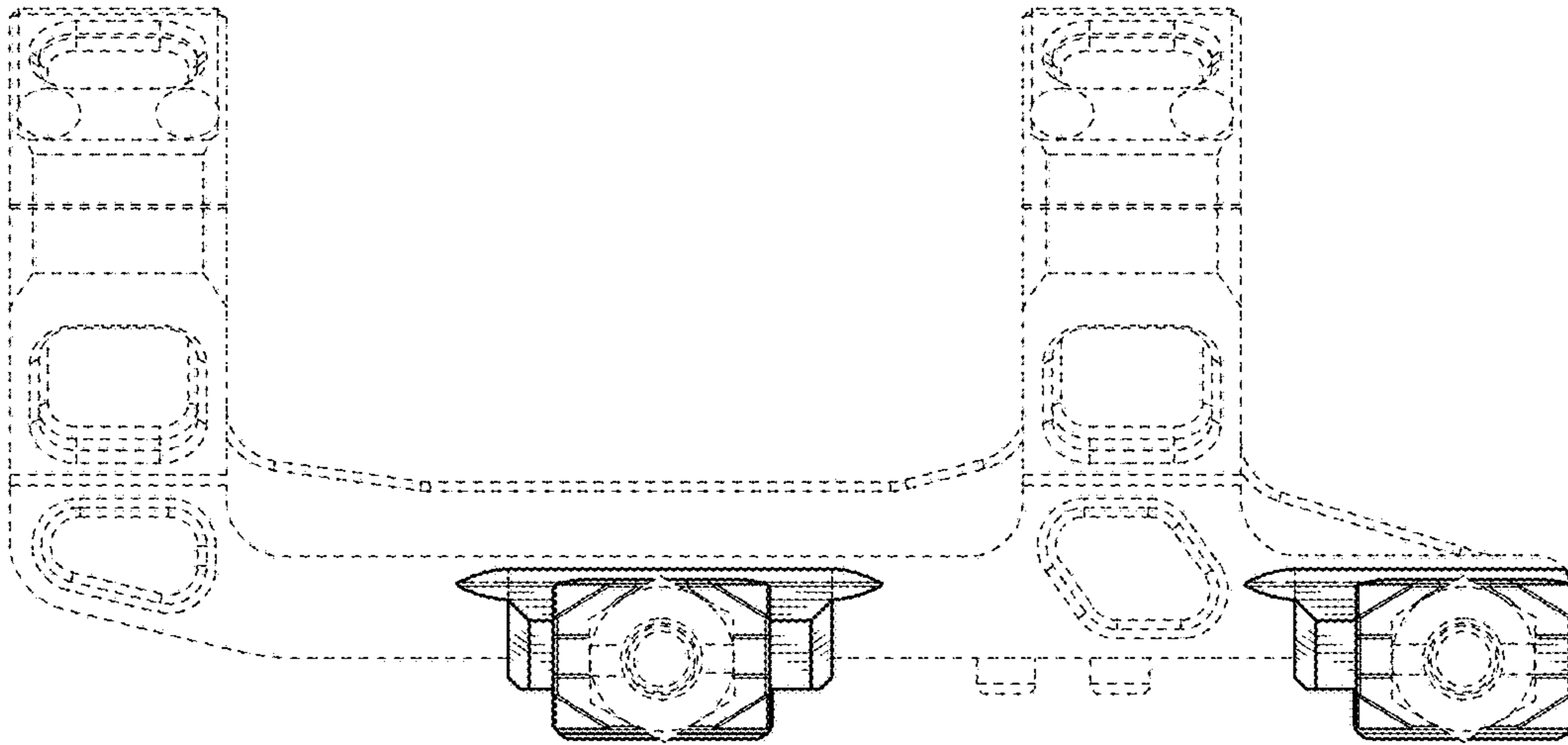


FIG. 7

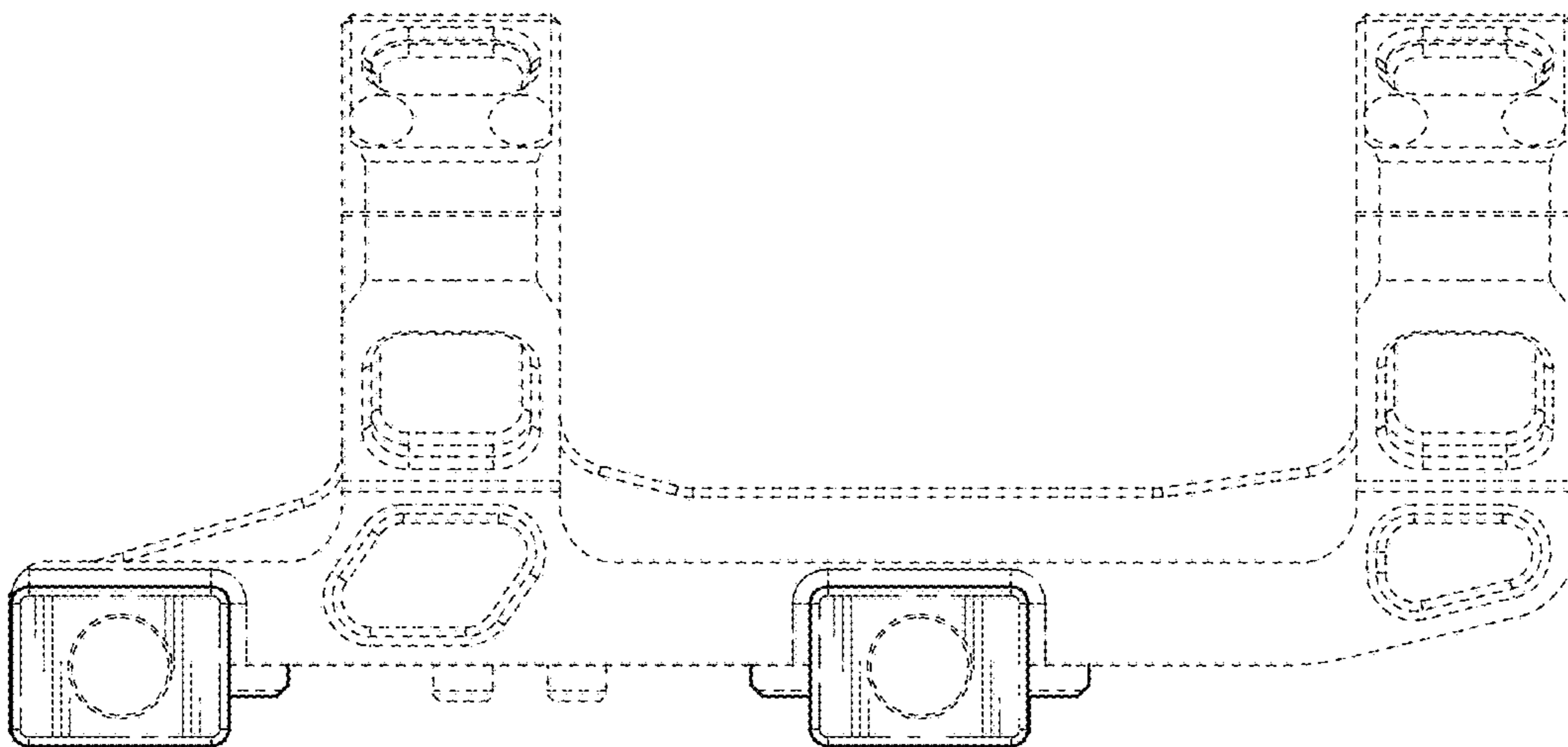


FIG. 8