



US00D819770S

(12) **United States Design Patent**
Akel

(10) **Patent No.:** **US D819,770 S**
(45) **Date of Patent:** **** Jun. 5, 2018**

(54) **SCOPE MOUNT**

(71) Applicant: **Elias Akel**, Fort Worth, TX (US)

(72) Inventor: **Elias Akel**, Fort Worth, TX (US)

(**) Term: **15 Years**

(21) Appl. No.: **29/561,733**

(22) Filed: **Apr. 19, 2016**

(51) **LOC (11) Cl.** **22-01**

(52) **U.S. Cl.**
USPC **D22/110**

(58) **Field of Classification Search**
USPC D22/110, 103; D21/572-575
CPC F41G 1/10; F41G 1/16; F41G 1/35; F41G
11/001; F41G 11/003; F41G 11/004
See application file for complete search history.

(56) **References Cited**

U.S. PATENT DOCUMENTS

D318,708 S *	7/1991	Bechtel	D22/110
D487,792 S *	3/2004	Selvaggio	D22/110
D513,056 S *	12/2005	Ding	D22/110
D513,298 S *	12/2005	Ding	D22/110
D513,299 S *	12/2005	Ding	D22/110
D513,633 S *	1/2006	Ding	D22/110
D537,901 S *	3/2007	Elkaim	D22/109
D542,880 S *	5/2007	Cheng	D22/110
D578,177 S *	10/2008	Norberg	D22/110
D670,352 S *	11/2012	Norberg	D22/108
D732,628 S *	6/2015	Cheng	D22/108
D739,491 S *	9/2015	Norberg	D22/108
D739,912 S *	9/2015	Norberg	D22/108

D777,870 S *	1/2017	Chung	D22/108
D787,007 S *	5/2017	Maughn	D22/108
2013/0118051 A1 *	5/2013	Baker	F41G 11/003 42/90

* cited by examiner

Primary Examiner — Karen S Acker

Assistant Examiner — Steven B Reinholdt, Jr.

(74) *Attorney, Agent, or Firm* — James E. Walton

(57) **CLAIM**

The ornamental design for a scope mount, as shown and described.

DESCRIPTION

FIG. 1 is a perspective view of a scope mount according to the present application, the scope mount being shown rotated 90 degrees to the right.

FIG. 2 is a rear view of the scope mount of FIG. 1.

FIG. 3 is a front view of the scope mount of FIG. 1.

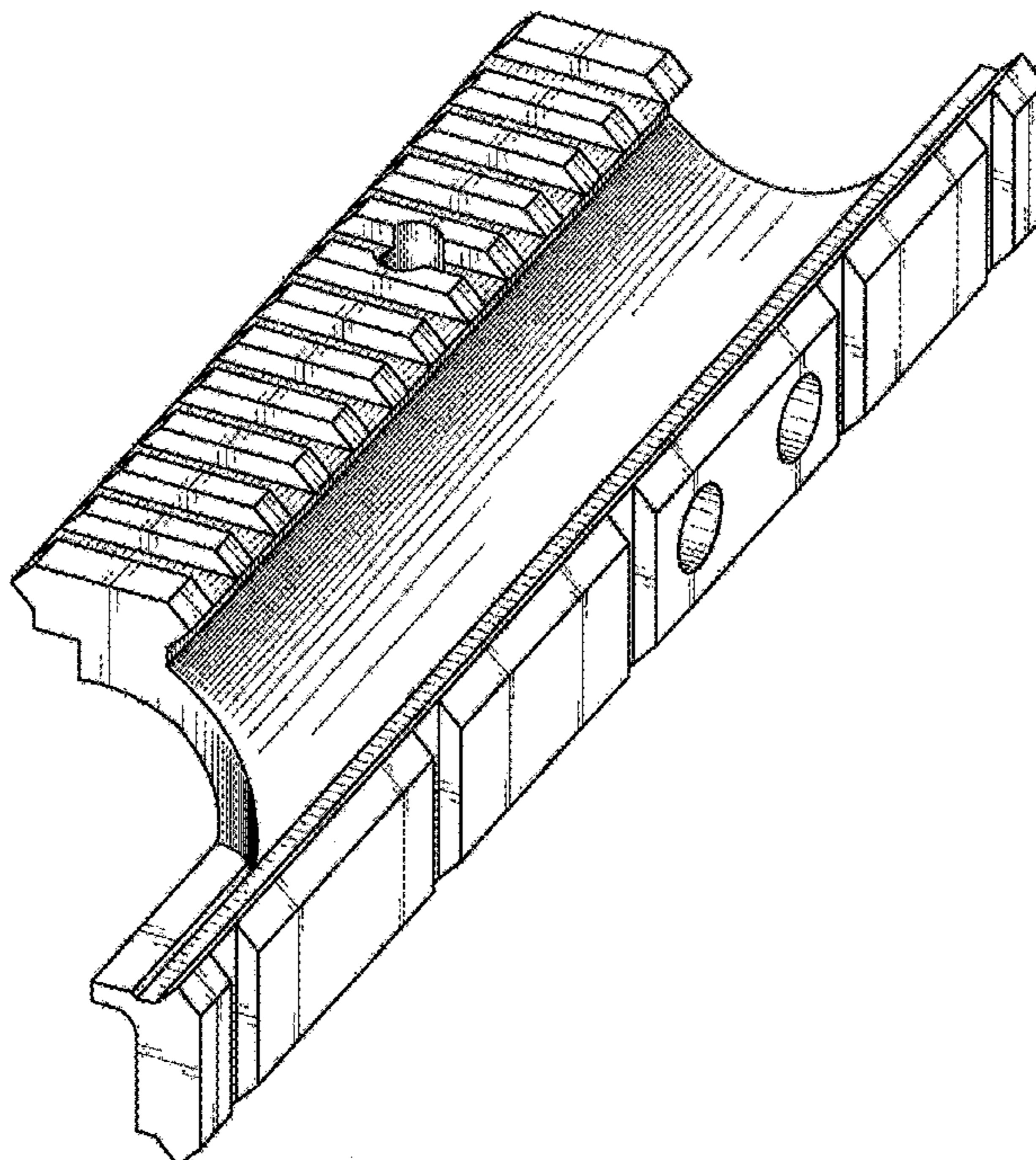
FIG. 4 is a top side view of the scope mount of FIG. 1.

FIG. 5 is a bottom view of the scope mount of FIG. 1.

FIG. 6 is a left side view of the scope mount of FIG. 1; and, FIG. 7 is a right side view of the scope mount of FIG. 1.

The surface shading lines on the claimed portion are provided only to indicate the character and/or any contour or curvature of the surfaces, and do not indicate color, texture, markings that actually exist thereon, indicia, graphic representations, surface treatment, or any other ornamentation applied to the article.

1 Claim, 4 Drawing Sheets



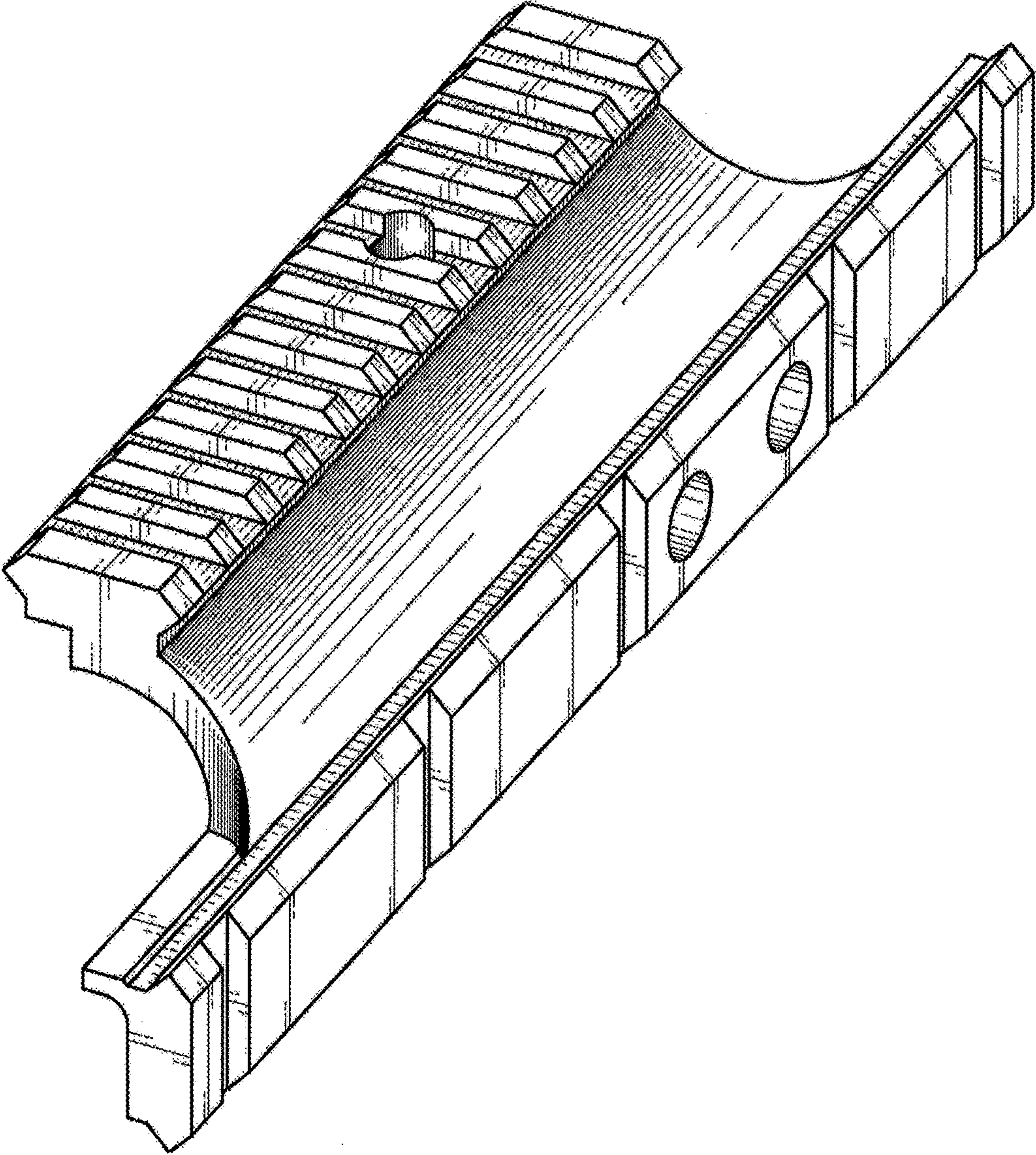


FIG. 1

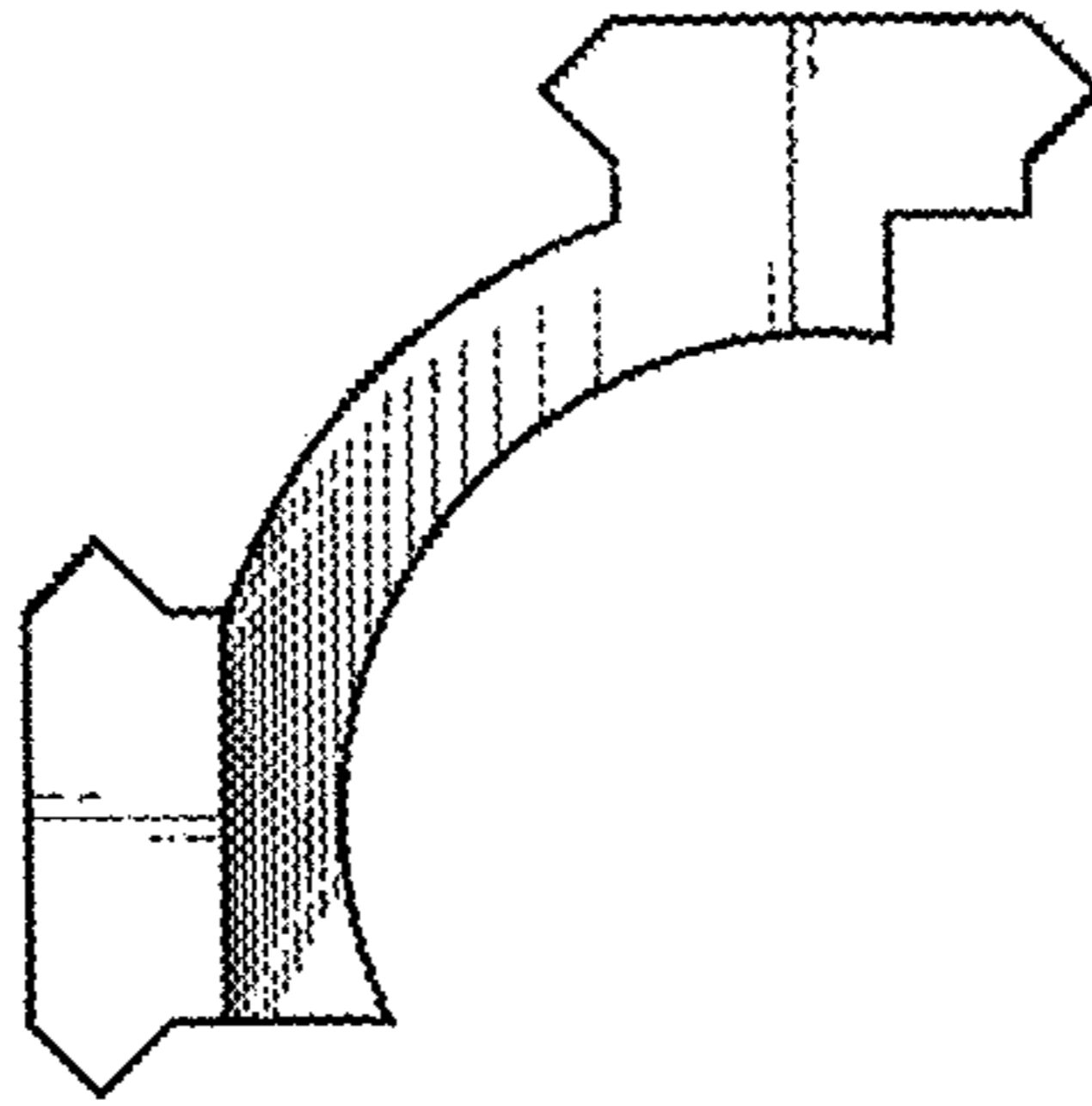


FIG. 2

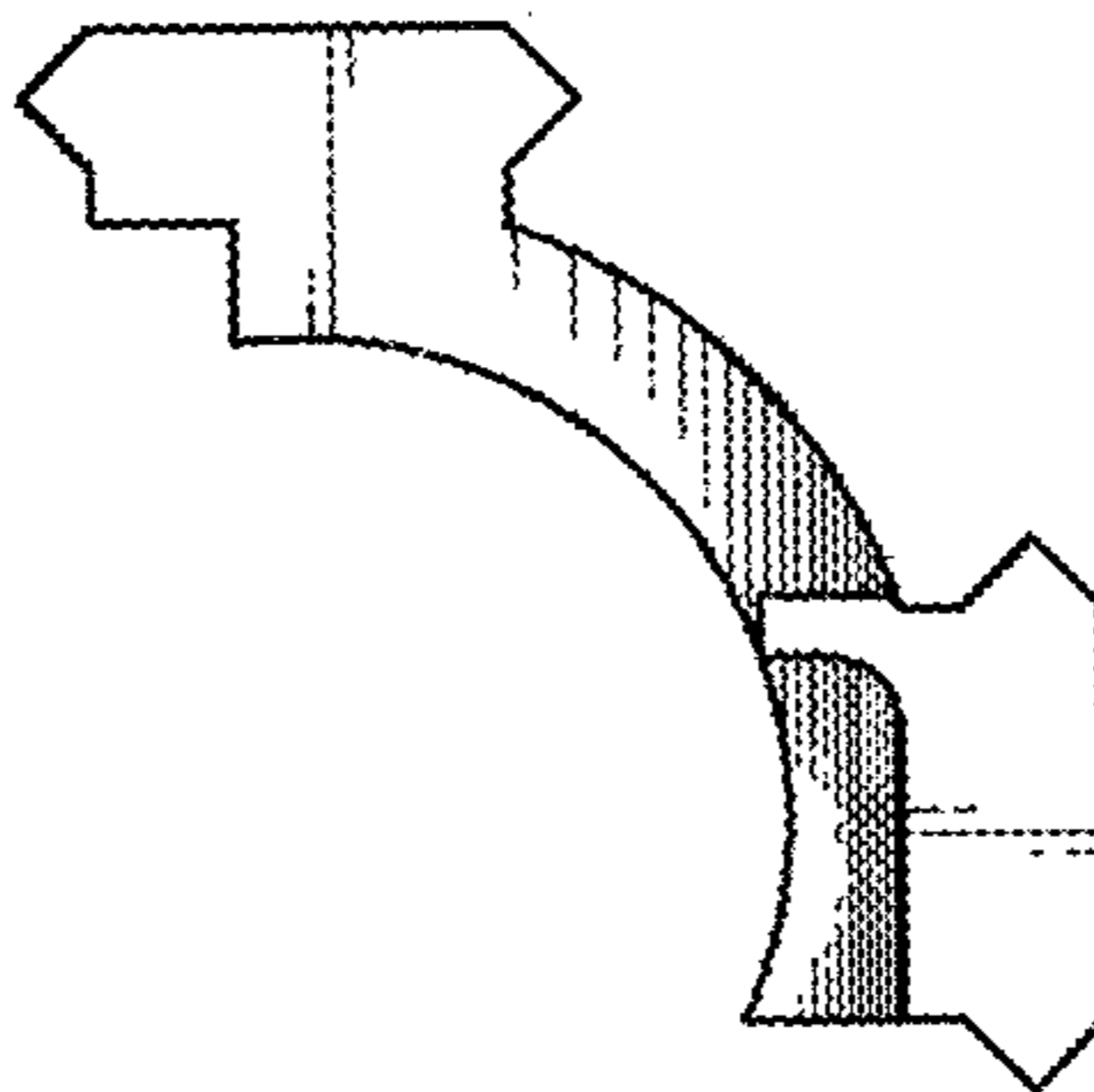


FIG. 3

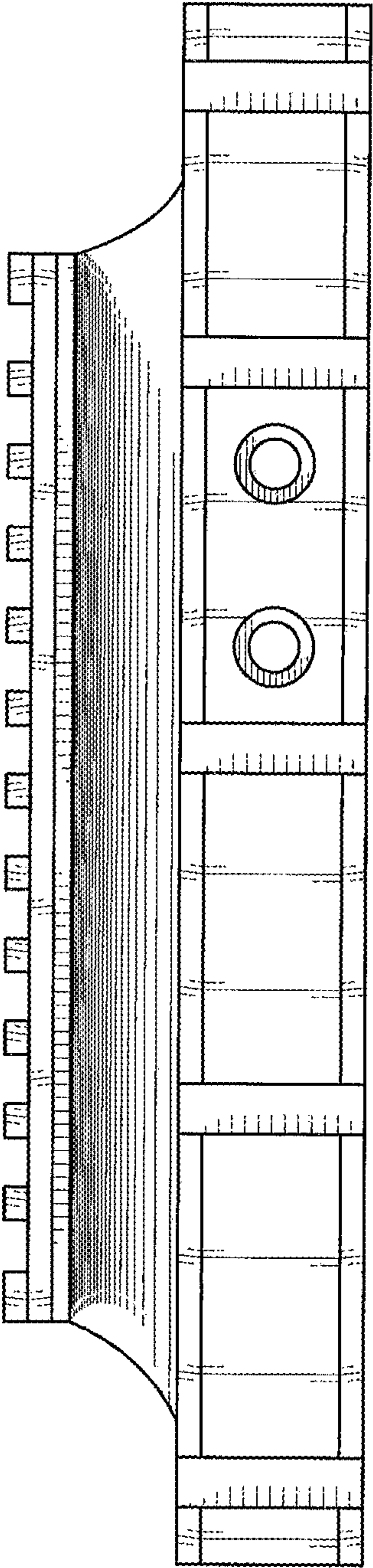


FIG. 4

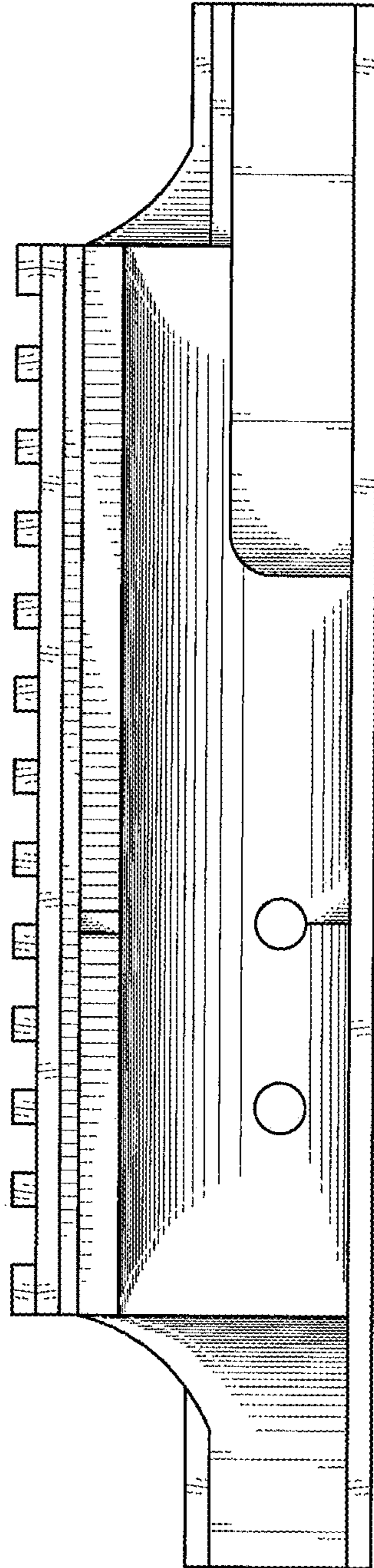


FIG. 5

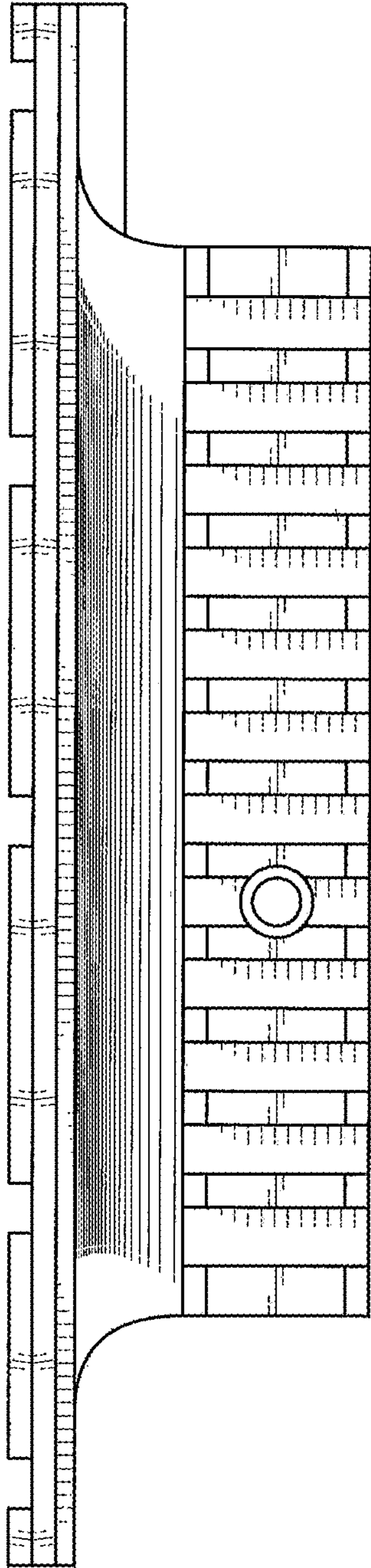


FIG. 6

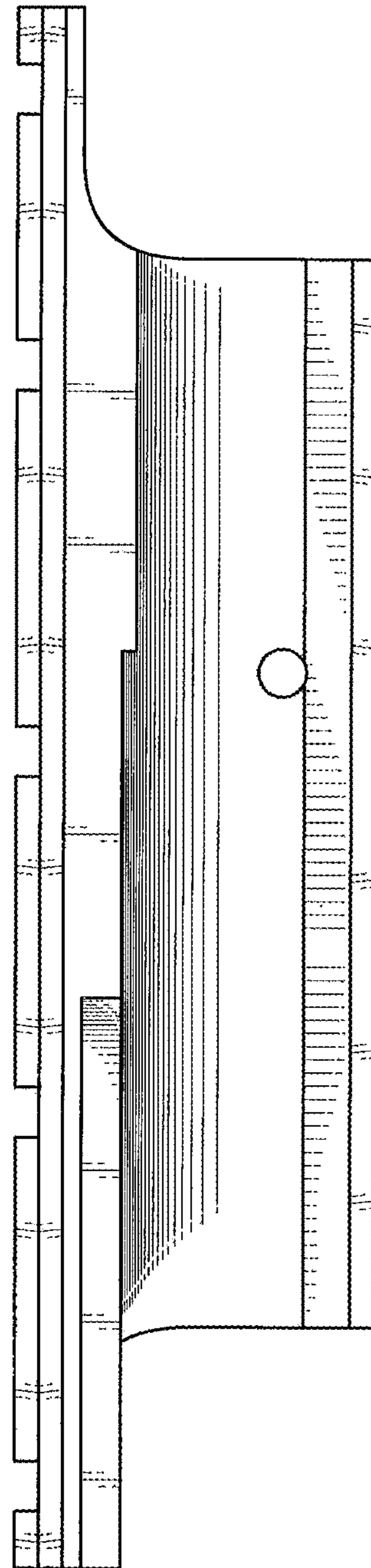


FIG. 7