



US00D819767S

(12) **United States Design Patent**
Banks

(10) **Patent No.:** **US D819,767 S**
(45) **Date of Patent:** **** Jun. 5, 2018**

(54) **TUBED SLINGSHOT**

(71) Applicant: **Scott Alan Banks**, Avondale, AZ (US)

(72) Inventor: **Scott Alan Banks**, Avondale, AZ (US)

(**) Term: **15 Years**

(21) Appl. No.: **29/620,054**

(22) Filed: **Jun. 7, 2016**

(51) **LOC (11) Cl.** **22-01**

(52) **U.S. Cl.**
USPC **D22/106**

(58) **Field of Classification Search**
USPC D22/106
CPC F41B 3/02; F41B 7/08; F41B 3/005
See application file for complete search history.

(56) **References Cited**

U.S. PATENT DOCUMENTS

D178,837 S *	9/1956	Huszar	124/20.1
3,018,770 A *	1/1962	Saunders	F41B 3/02
			124/20.3
4,273,094 A *	6/1981	Hogan	F41B 3/02
			124/16
D352,337 S *	11/1994	Nagel	D22/106
D353,182 S *	12/1994	Rubin	D22/106
D360,672 S *	7/1995	Morton	D22/106
D402,731 S *	12/1998	Mahan	D22/106
6,053,156 A *	4/2000	Boon	F41B 3/02
			124/20.1
6,209,531 B1 *	4/2001	Boon	F41B 3/02
			124/20.1
6,786,213 B1 *	9/2004	Lee	F41B 3/02
			124/20.1

* cited by examiner

Primary Examiner — Michael A. Pratt

(57) **CLAIM**

I, claim the new, original, and ornamental design for the tubed slingshot, as shown and discribed.

DESCRIPTION

FIG. 1 is a front, left side, perspective view of the tubed slingshot.

FIG. 2 is a front, right side, perspective view of the tubed slingshot.

FIG. 3 is a rear, left side, perspective view of the tubed slingshot.

FIG. 4 is a rear, right side, perspective view of the tubed slingshot.

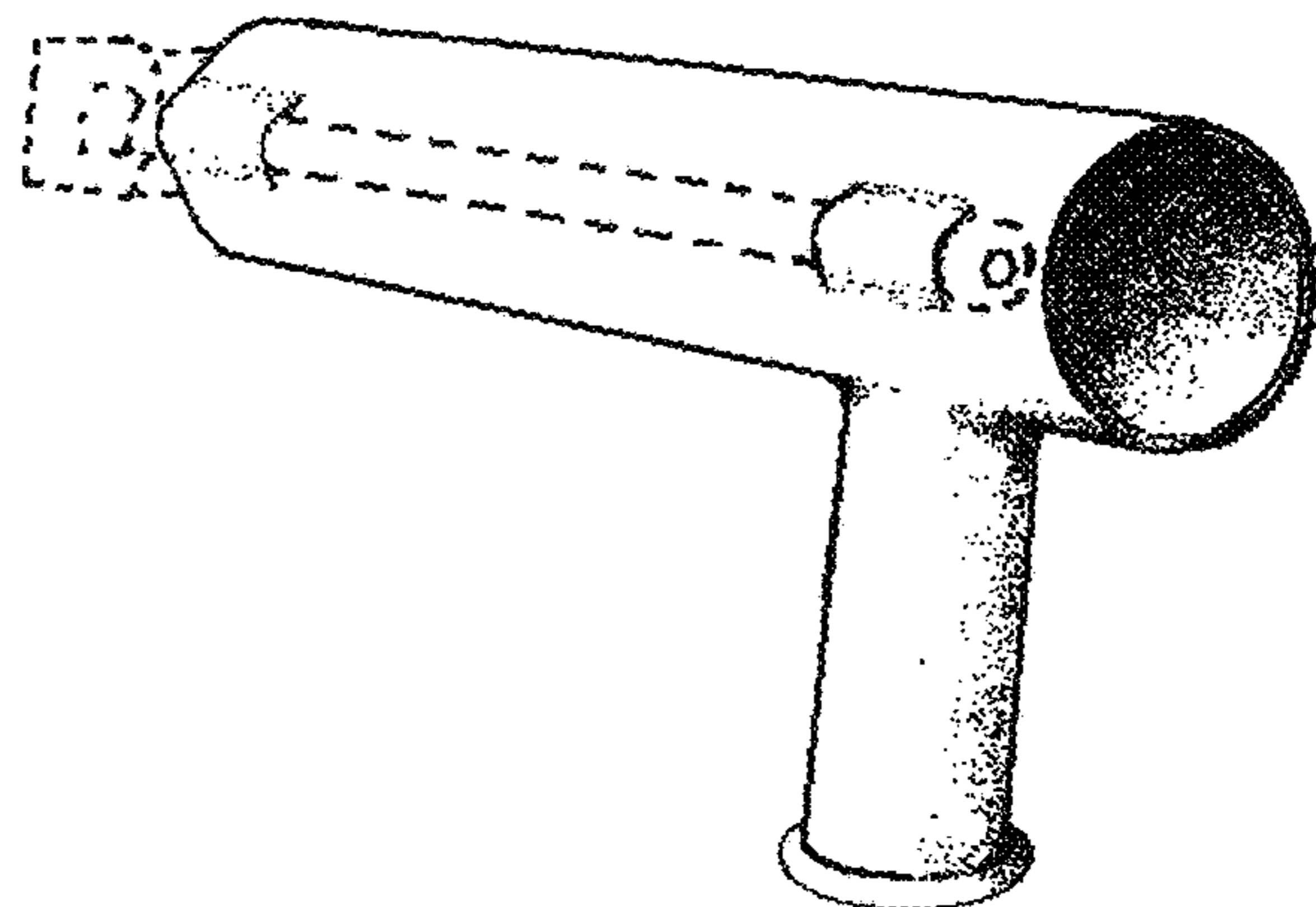
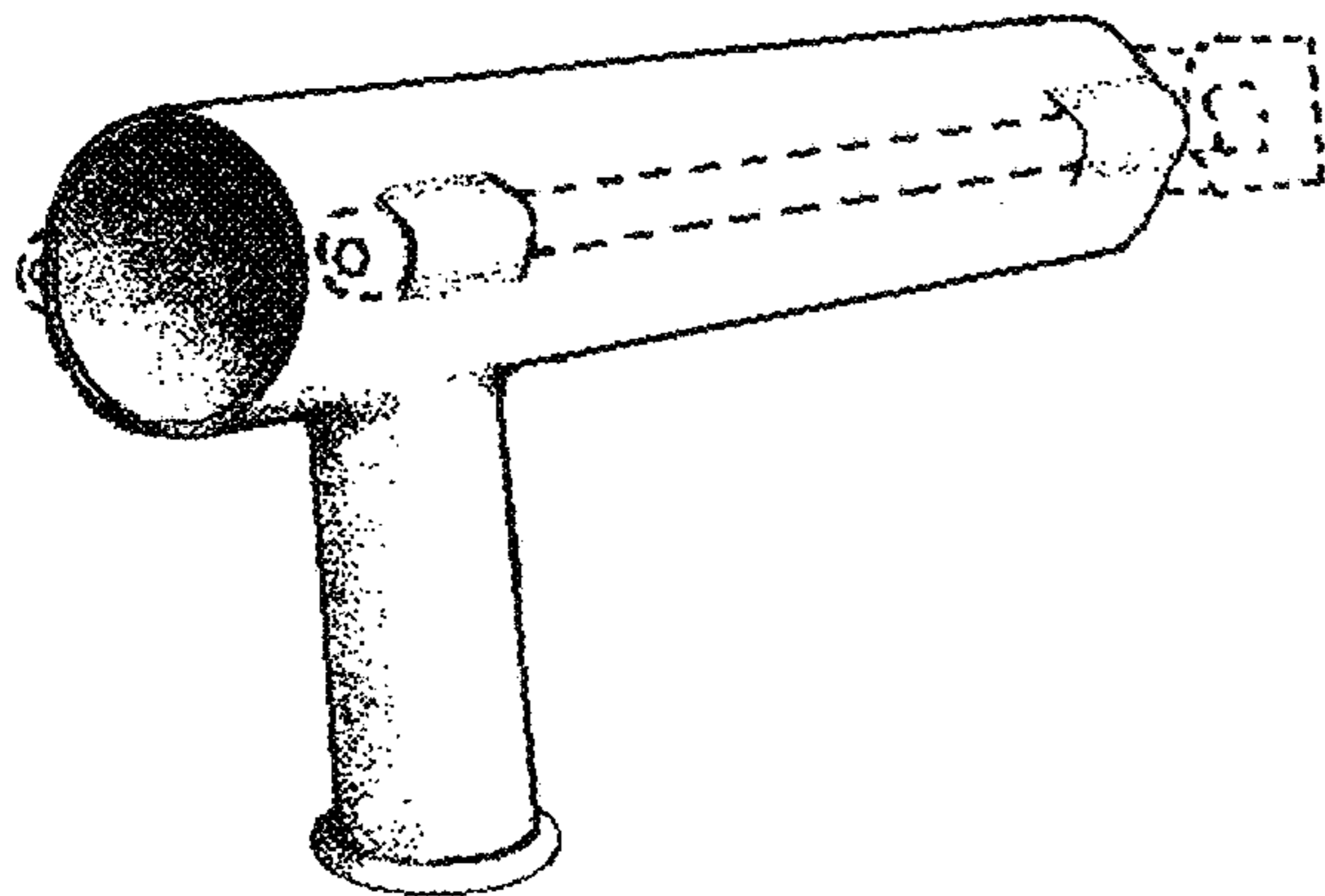
FIG. 5 is a top view, of the tubed slingshot; and,

FIG. 6 is a bottom view, of the tubed slingshot.

The tubed slingshot is of a forkless design that incorporates a wedge system to secure the elastic power bands and pouch to the body of the tubed slingshot. The tubed slingshot's body, handle, and four alignment tubes are molded as one complete unit. The tubed slingshot is used to shoot small round objects. The tubed slingshot could be held in a person's hand to be operated.

The broken lines shown in FIGS. 1 through 6 illustrate portions of the tubed slingshot that do not form a part of the claimed design.

1 Claim, 6 Drawing Sheets



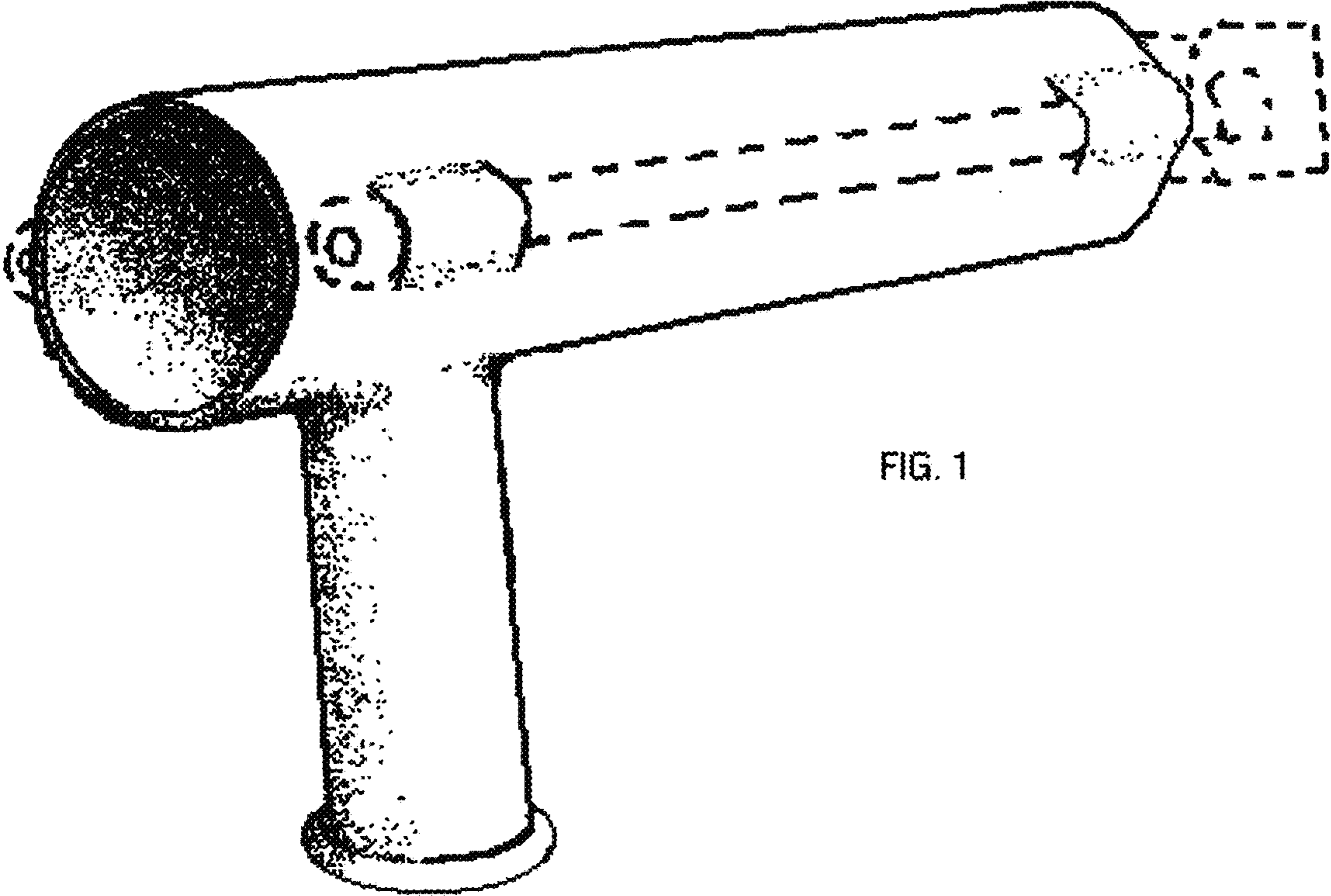


FIG. 1

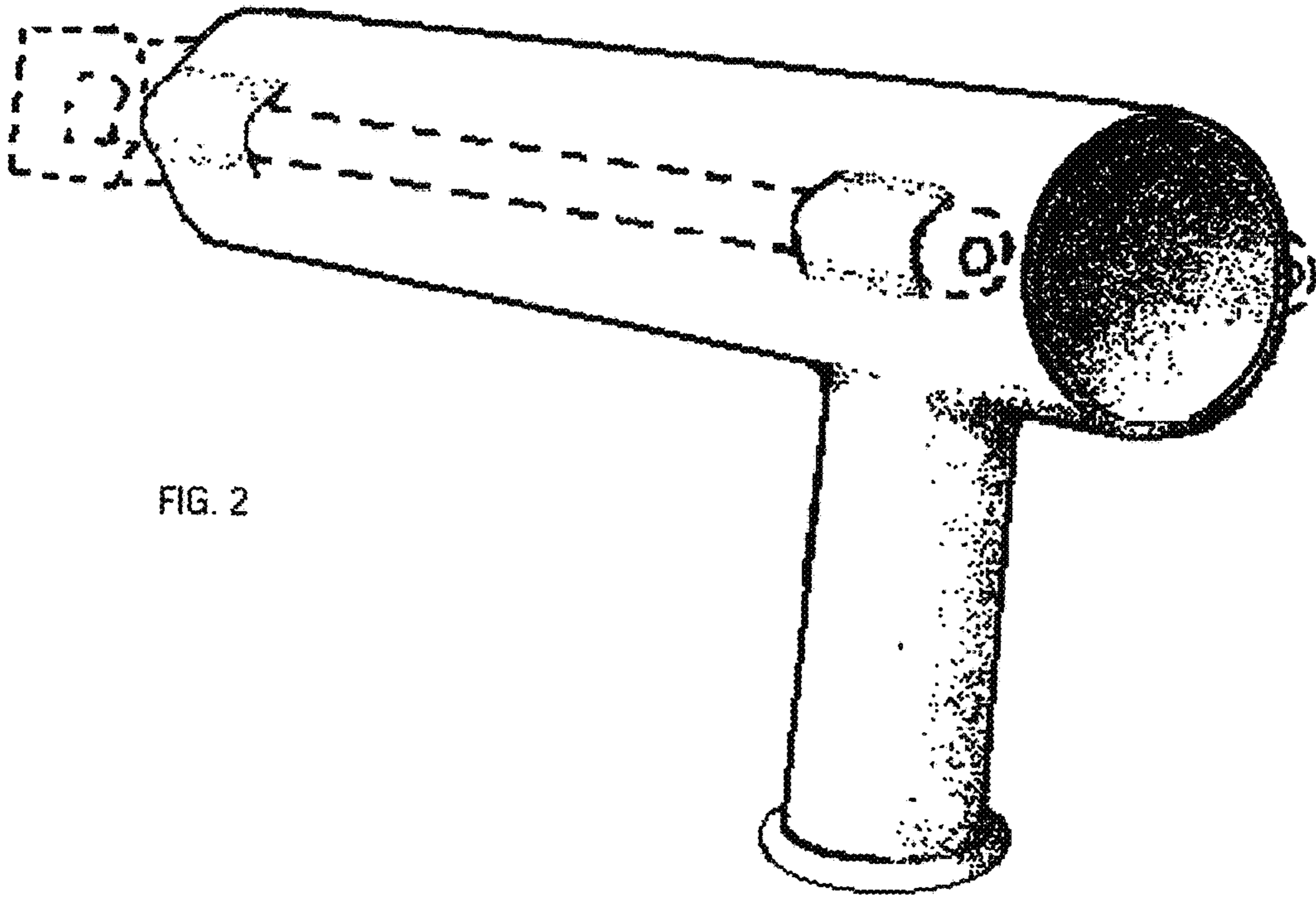


FIG. 2

FIG.3

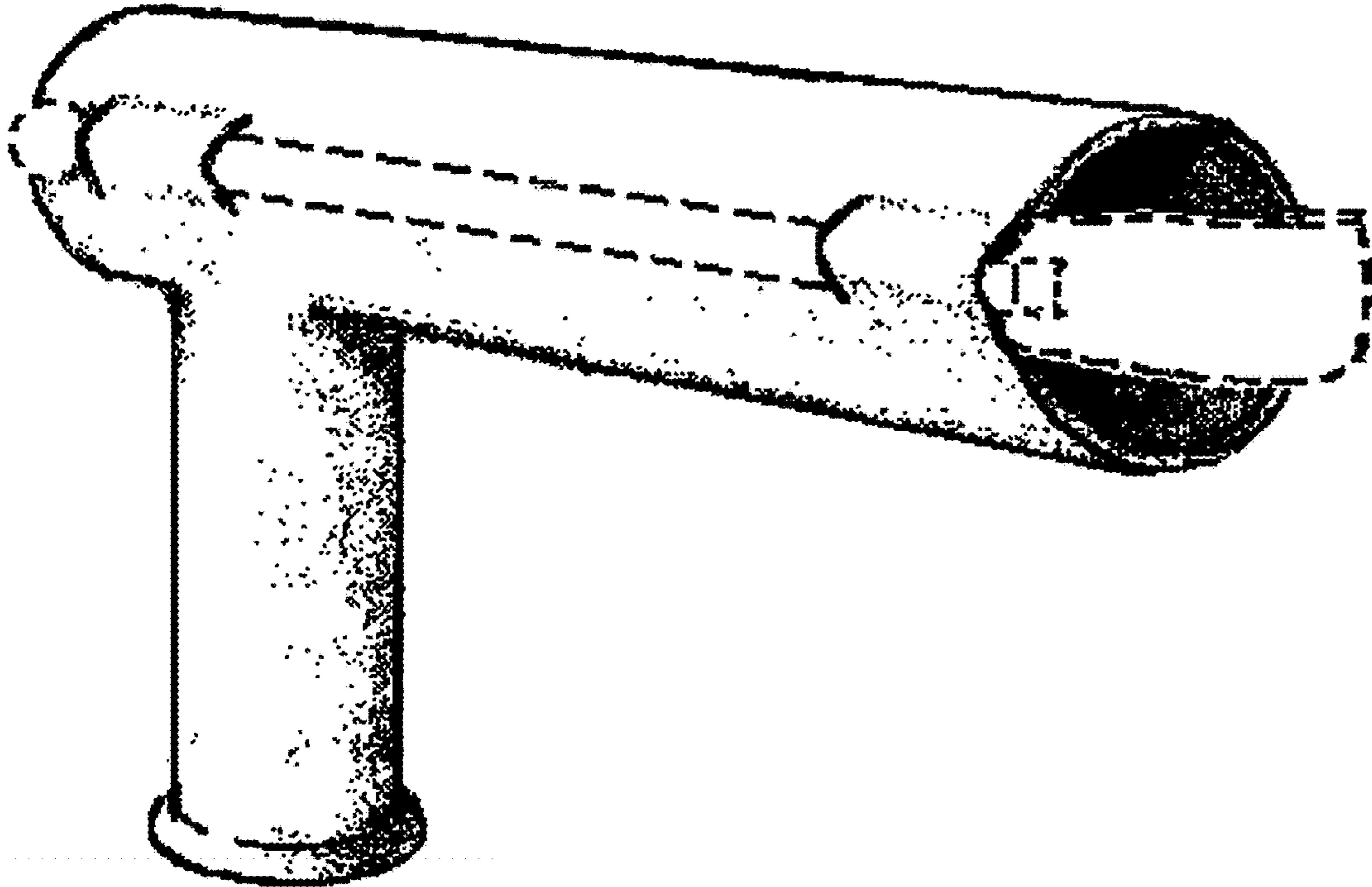
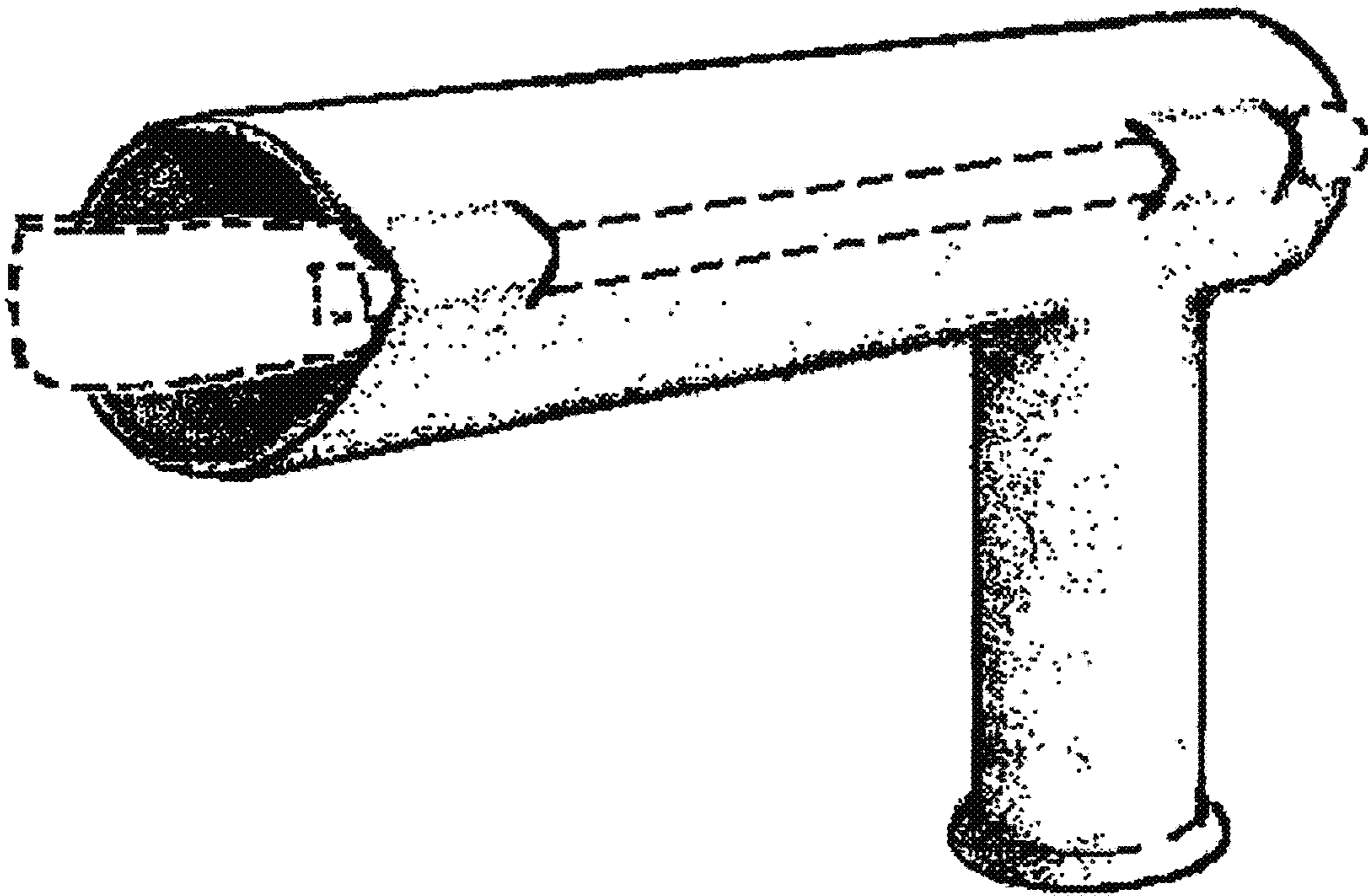


FIG. 4



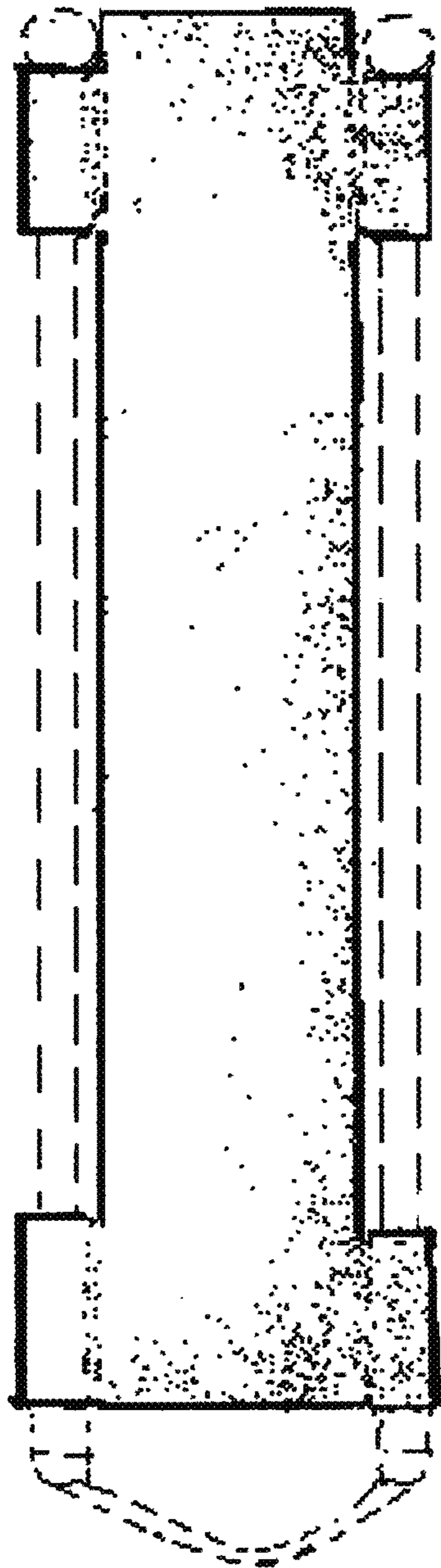


FIG. 5

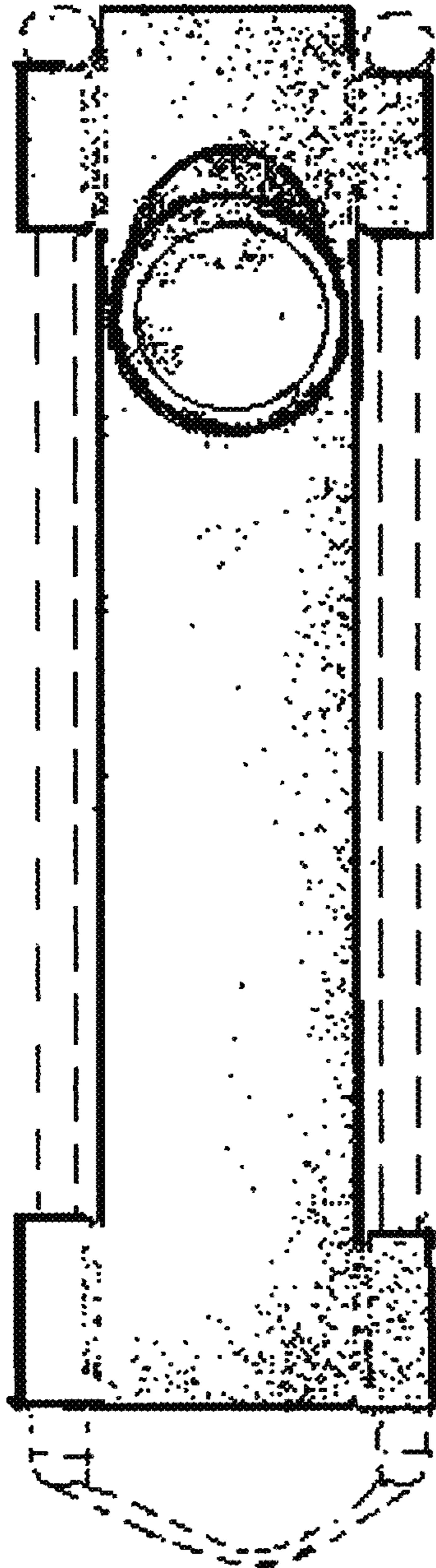


FIG. 6