



US00D819764S

(12) **United States Design Patent**
Rademacher et al.

(10) **Patent No.:** **US D819,764 S**

(45) **Date of Patent:** **** Jun. 5, 2018**

(54) **RECREATIONAL DEVICE**

(71) Applicant: **Wibit Sports GmbH**, Bocholt (DE)

(72) Inventors: **Romann Rademacher**, Bocholt (DE);
Robert Cirjak, Bocholt (DE)

(73) Assignee: **Wibit Sports GmbH**, Bocholt (DE)

(**) Term: **15 Years**

(21) Appl. No.: **29/596,826**

(22) Filed: **Mar. 10, 2017**

(30) **Foreign Application Priority Data**

Sep. 13, 2016 (EM) 003377209-0016
Sep. 13, 2016 (EM) 003377209-0017

(51) **LOC (11) Cl.** **21-02**

(52) **U.S. Cl.**
USPC **D21/803; D21/814**

(58) **Field of Classification Search**
USPC D21/646, 769, 770, 771, 778, 792, 801,
D21/803, 804, 805, 806, 807, 808, 810,
D21/814, 818, 819

CPC A41D 13/0518; A63B 2208/03; A63B
2225/605; A63B 31/00; A63B 31/10;
A63B 69/14; A63B 31/11; B63B 21/66;
B63C 11/02

See application file for complete search history.

(56) **References Cited**

U.S. PATENT DOCUMENTS

5,558,551 A * 9/1996 Irby B63B 35/815
114/253
D639,370 S * 6/2011 Saari D21/769

D639,887 S * 6/2011 Cirjak D21/818
D667,910 S * 9/2012 Behr D21/803
D702,790 S * 4/2014 Cirjak D21/818
D716,897 S * 11/2014 Anastasia D21/811
D731,017 S * 6/2015 Rademacher D21/803
D743,317 S * 11/2015 Cirjak D12/316
D800,860 S * 10/2017 Doherty D21/803

OTHER PUBLICATIONS

<https://www.wibitsports.com/open-water/all-products/231/step—>
Retrieved Dec. 18, 2017.*

https://www.youtube.com/watch?v=06D_PVdDsi0—Published
Oct. 6, 2016.*

* cited by examiner

Primary Examiner — Manpreet S Matharu

Assistant Examiner — Mojtaba Tehrani

(74) *Attorney, Agent, or Firm* — Arent Fox LLP

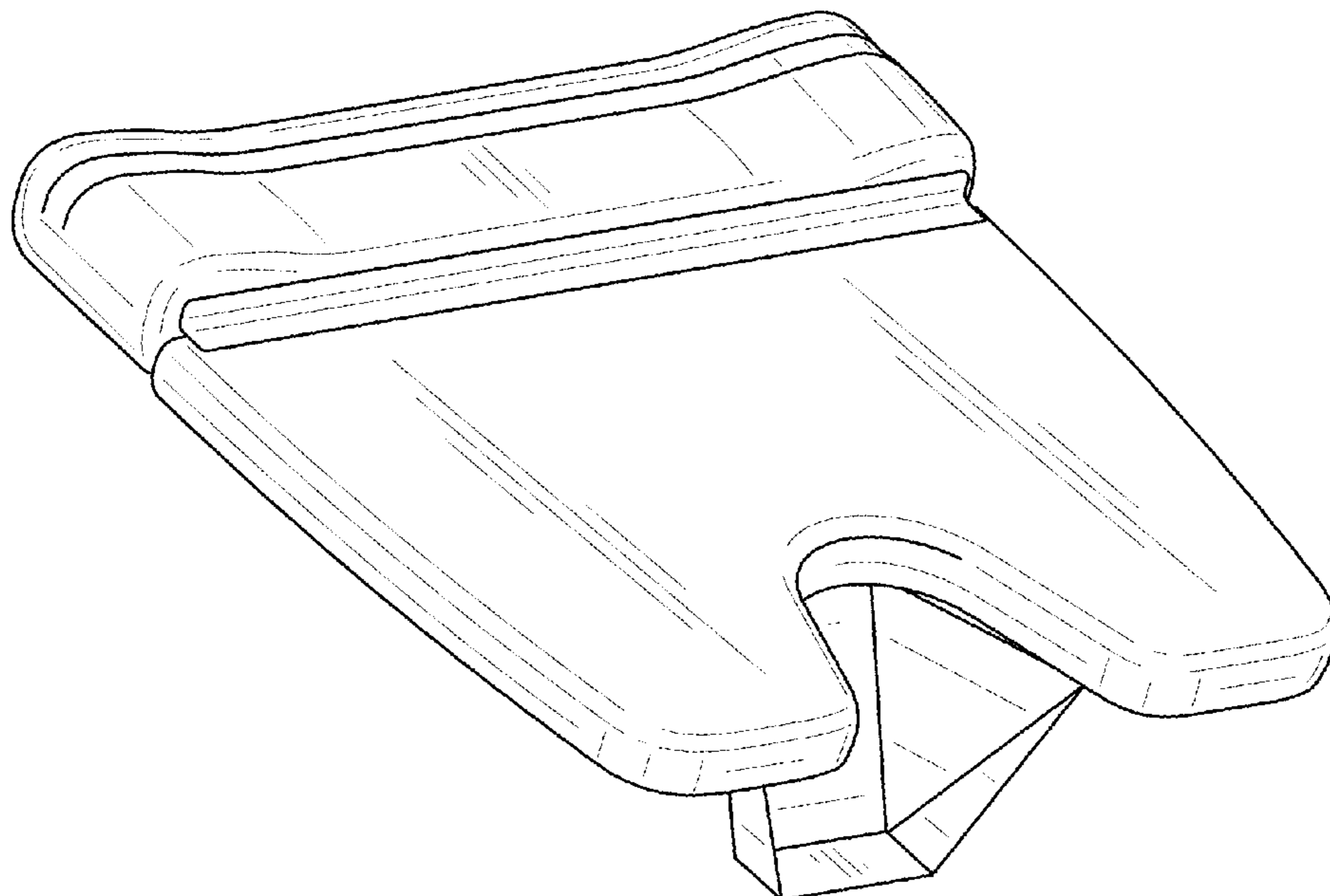
(57) **CLAIM**

The ornamental design for a recreational device, as shown and described.

DESCRIPTION

FIG. 1 is perspective view of the recreational device showing our new design;
FIG. 2 is a top view of the design shown in FIG. 1;
FIG. 3 is a bottom view of the design shown in FIG. 1;
FIG. 4 is a left side view of the design shown in FIG. 1;
FIG. 5 is a right side view of the design shown in FIG. 1;
FIG. 6 is a back view of the design shown in FIG. 1; and,
FIG. 7 is a front view of the design shown in FIG. 1.

1 Claim, 7 Drawing Sheets



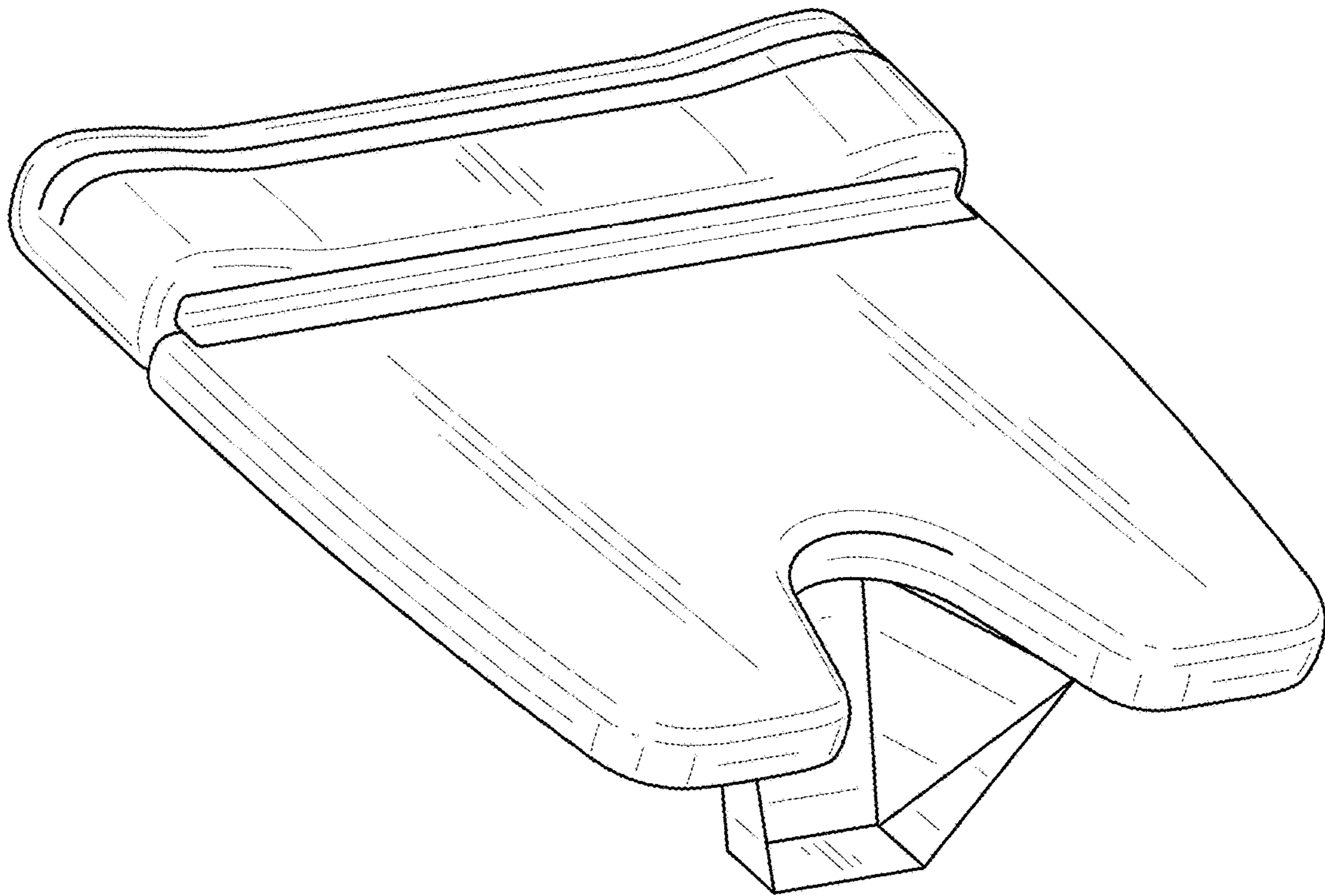


FIG. 1

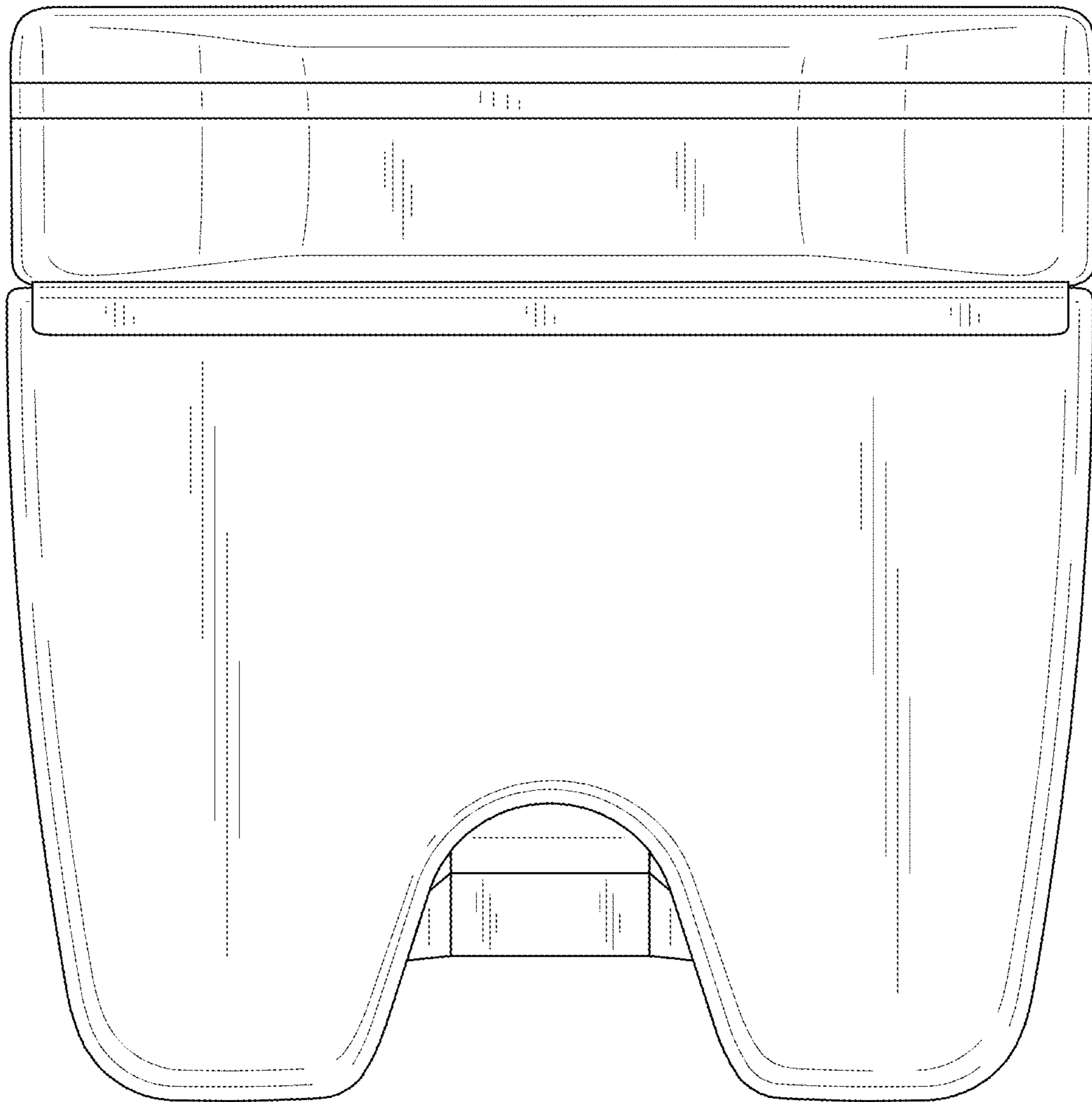


FIG. 2

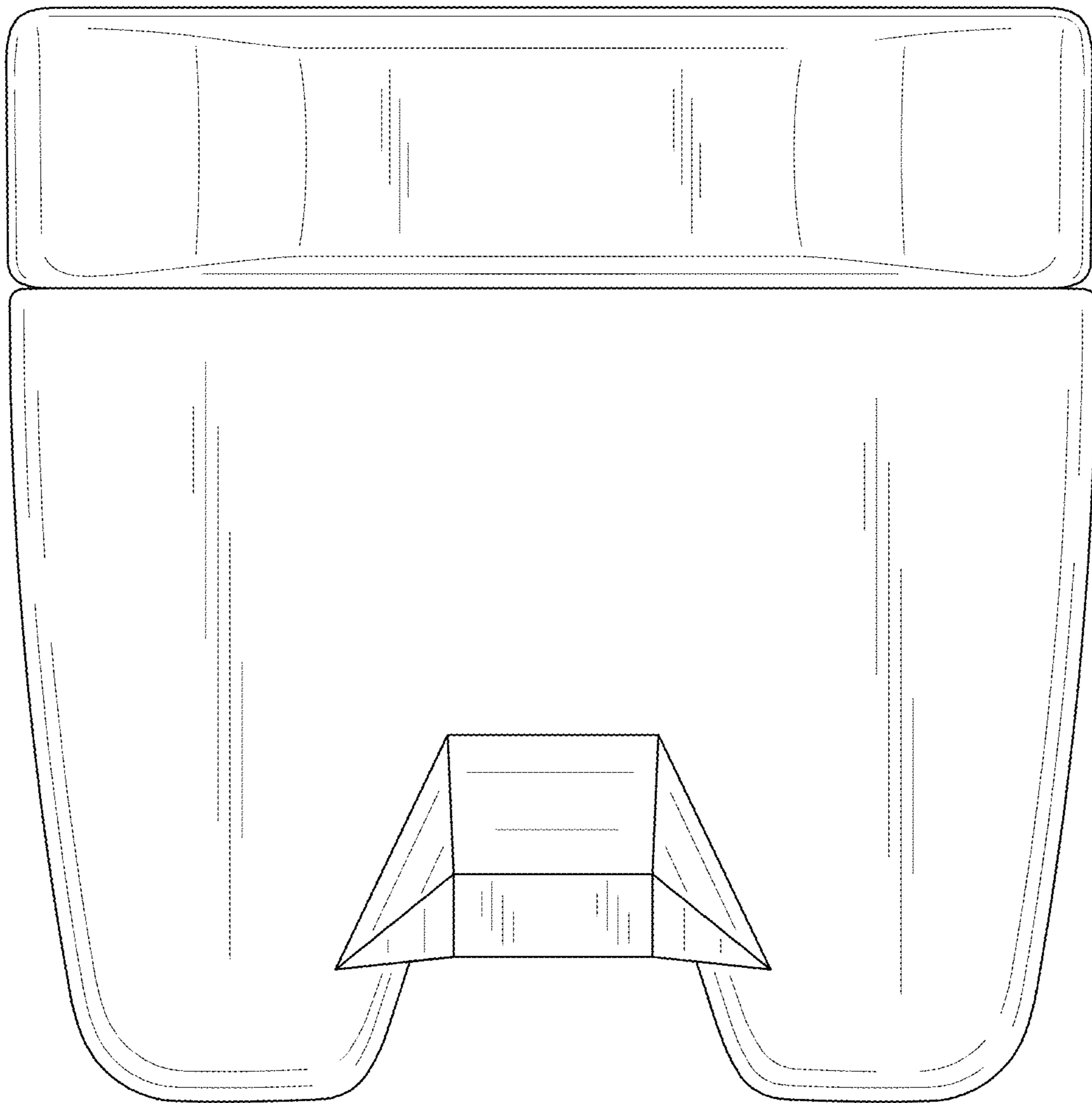


FIG. 3

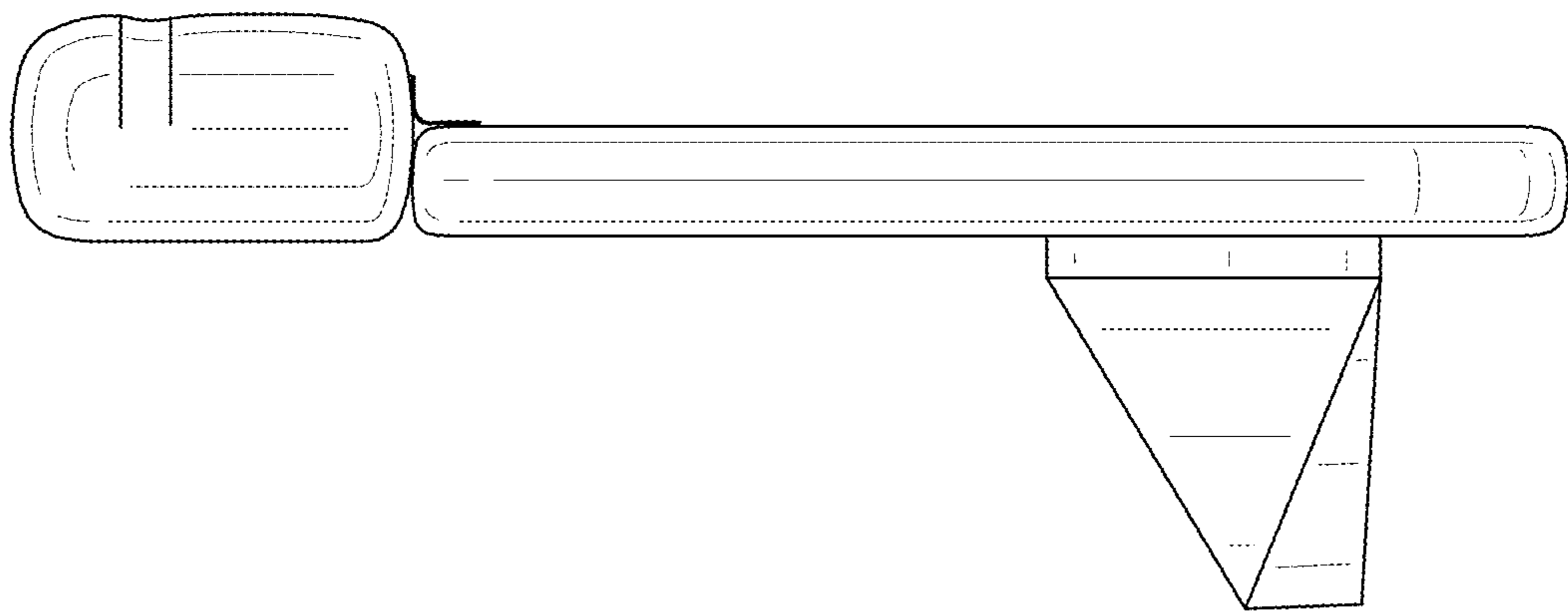


FIG. 4

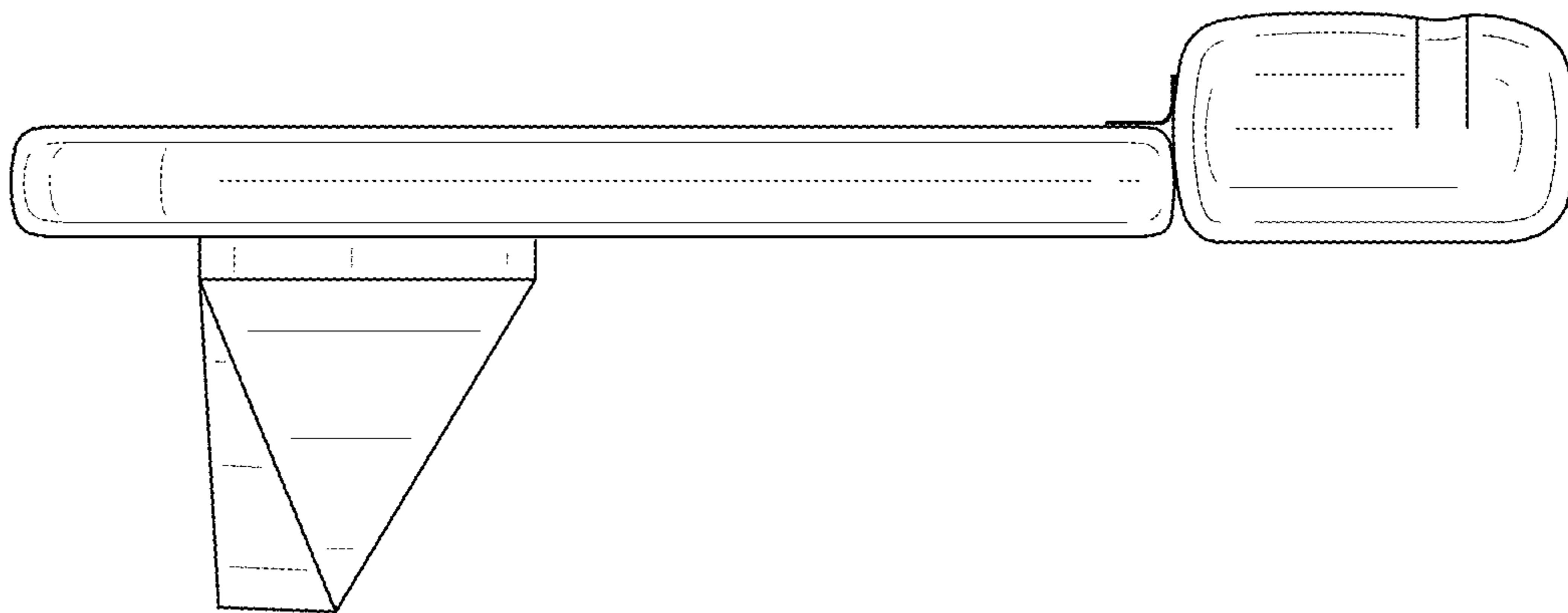


FIG. 5

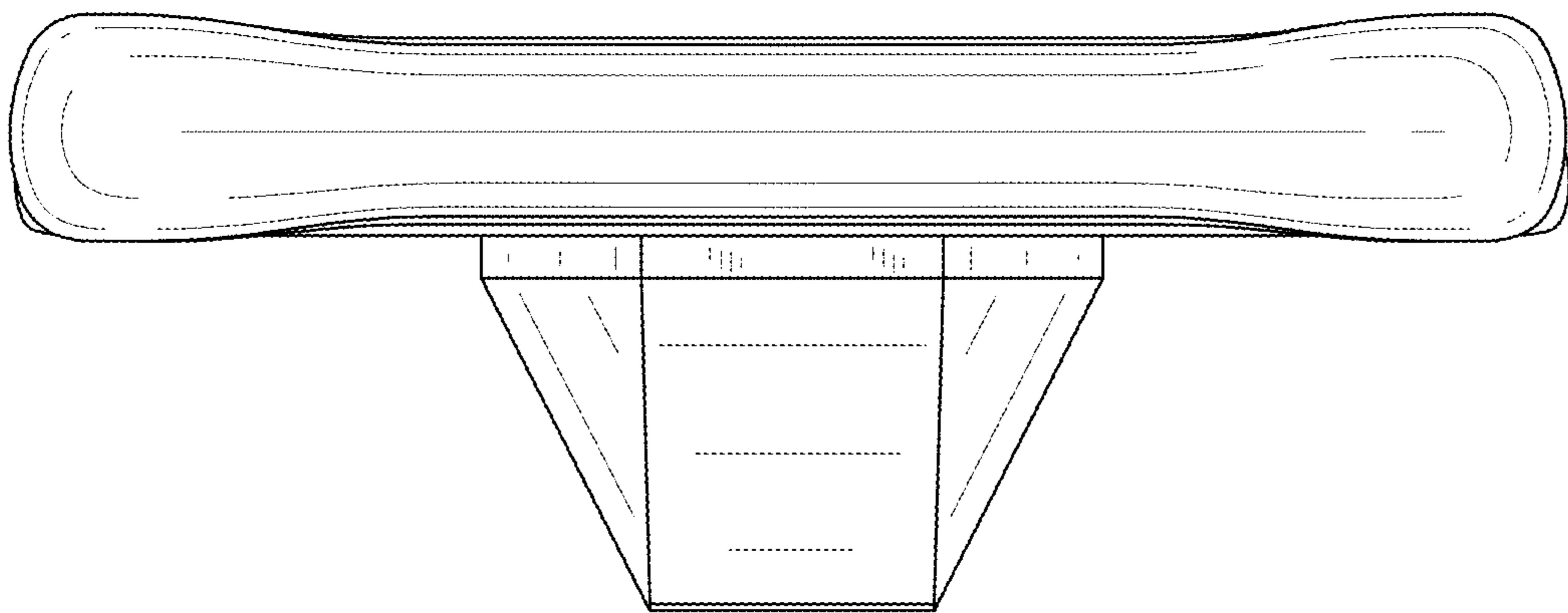


FIG. 6

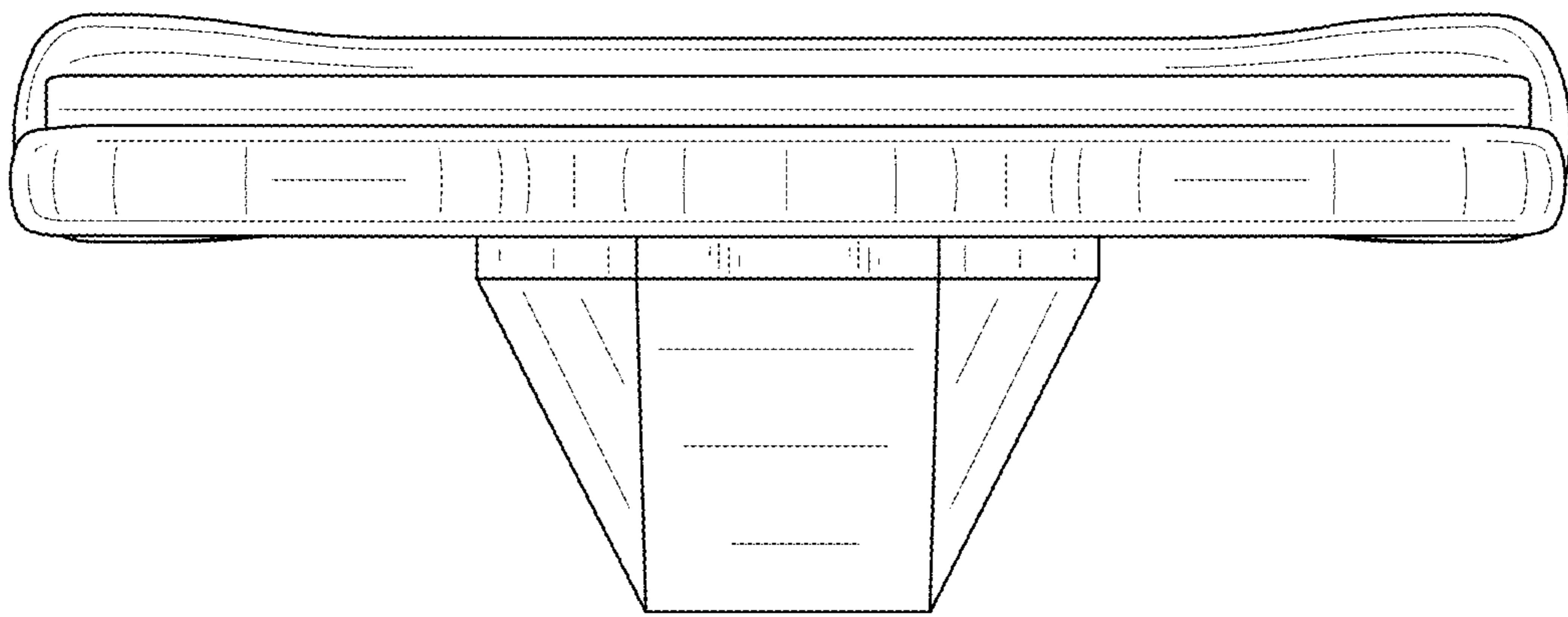


FIG. 7