



US00D819757S

(12) **United States Design Patent**
Oldham

(10) **Patent No.:** **US D819,757 S**

(45) **Date of Patent:** **** Jun. 5, 2018**

(54) **EXERCISE WEIGHT**

(71) Applicant: **Salveo Bodycare Ltd**, Congleton (GB)

(72) Inventor: **Robert Oldham**, Congleton (GB)

(73) Assignee: **SALVEO BODYCARE LTD**,
Congleton (GB)

(**) Term: **15 Years**

(21) Appl. No.: **29/580,233**

(22) Filed: **Oct. 6, 2016**

(51) **LOC (11) Cl.** **21-02**

(52) **U.S. Cl.**

USPC **D21/680**

(58) **Field of Classification Search**

USPC 482/104, 105, 106, 107, 108, 110, 140,
482/141, 148, 44, 45, 48, 49, 50, 92, 93;
D21/385, 386, 662, 680, 681, 682, 694,
D21/797, 798; D24/45; D7/388, 402,
D7/409, 505; D30/160

CPC ... A63B 21/072; A63B 21/4019; A63B 43/02;
A61J 17/02; A61J 17/001; A61J 17/00;
A63H 33/006; A46B 5/02

See application file for complete search history.

(56) **References Cited**

U.S. PATENT DOCUMENTS

4,854,573 A * 8/1989 Johansson A63B 23/12
482/141
D514,374 S * 2/2006 Settele D7/388
D551,018 S * 9/2007 Goodman D7/388
7,311,641 B2 12/2007 Panagos
D673,230 S * 12/2012 Qin D21/680
D722,348 S * 2/2015 Kessler D21/680

D751,157 S * 3/2016 Irwin D21/680
D751,258 S * 3/2016 Setser D30/160
D797,217 S * 9/2017 Gilbert D21/681
2016/0074693 A1 * 3/2016 Henry A63B 21/068
482/141

OTHER PUBLICATIONS

Fyspace “MTOTM® 36 Neodymium Puzzle Magnetic Balls”,
<https://www.fyspace.com/collections/magnetic-balls>. Sep. 22,
2017. shown in p. 1.*

Dreamstime “3D Pyramid gold ball and silver rod”, <https://www.dreamstime.com/royalty-free-stock-image-d-pyramid-gold-ball-silver-rod-isolated-metallic-constructed-golden-four-balls-six-rods-image36874206#>. Sep. 22, 2017. shown in p. 1.*

* cited by examiner

Primary Examiner — Cynthia Ramirez

Assistant Examiner — Michael Maharajh

(74) *Attorney, Agent, or Firm* — Hamre, Schumann,
Mueller & Larson, P.C.

(57) **CLAIM**

The ornamental design for an exercise weight, as shown and
described.

DESCRIPTION

FIG. 1 is a front perspective view of an exercise weight
showing my new design;

FIG. 2 is a rear perspective view thereof;

FIG. 3 is a front elevational view thereof;

FIG. 4 is a rear elevational view thereof;

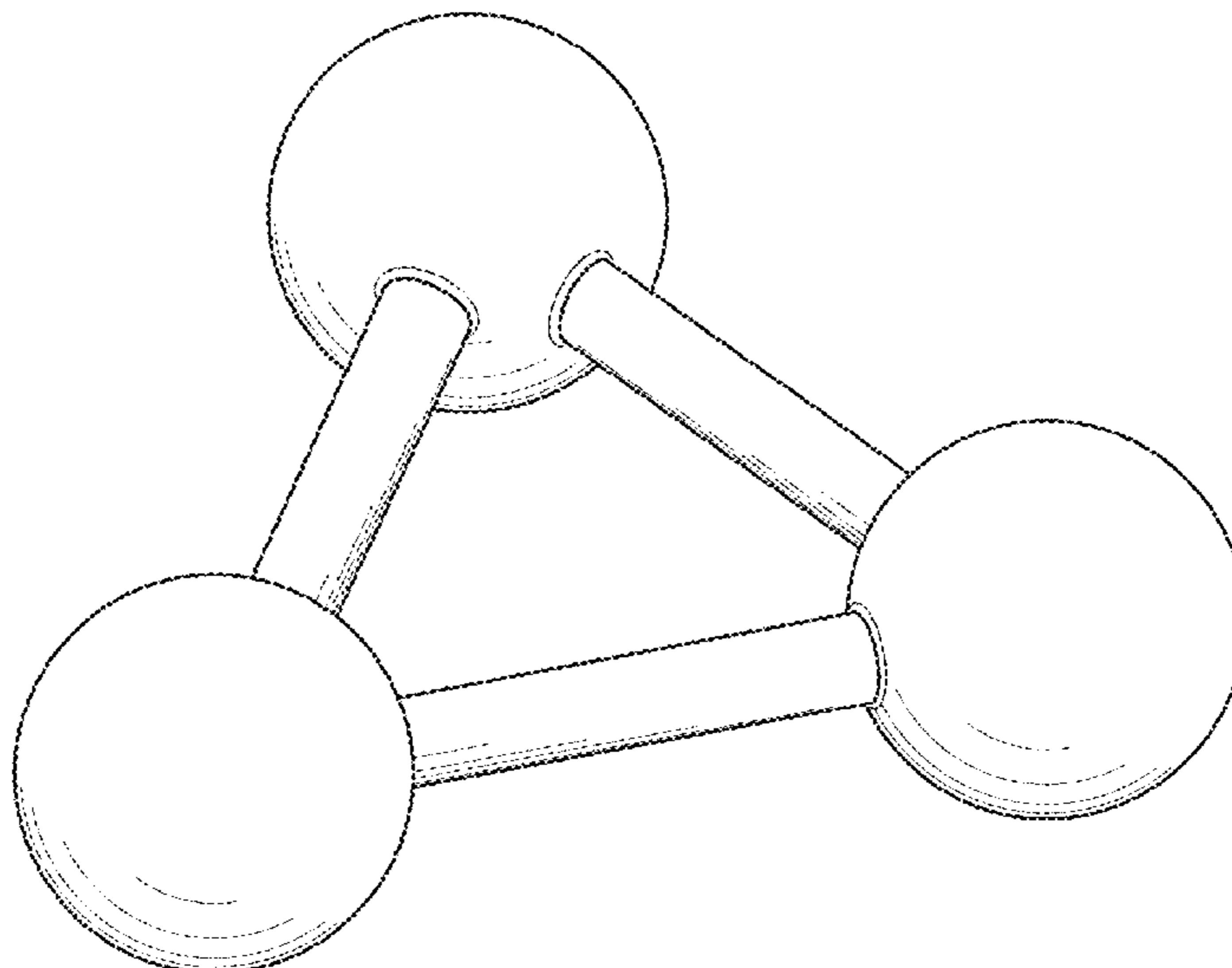
FIG. 5 is a left side view thereof;

FIG. 6 is a right side view thereof;

FIG. 7 is a top plan view thereof; and,

FIG. 8 is a bottom plan view thereof.

1 Claim, 8 Drawing Sheets



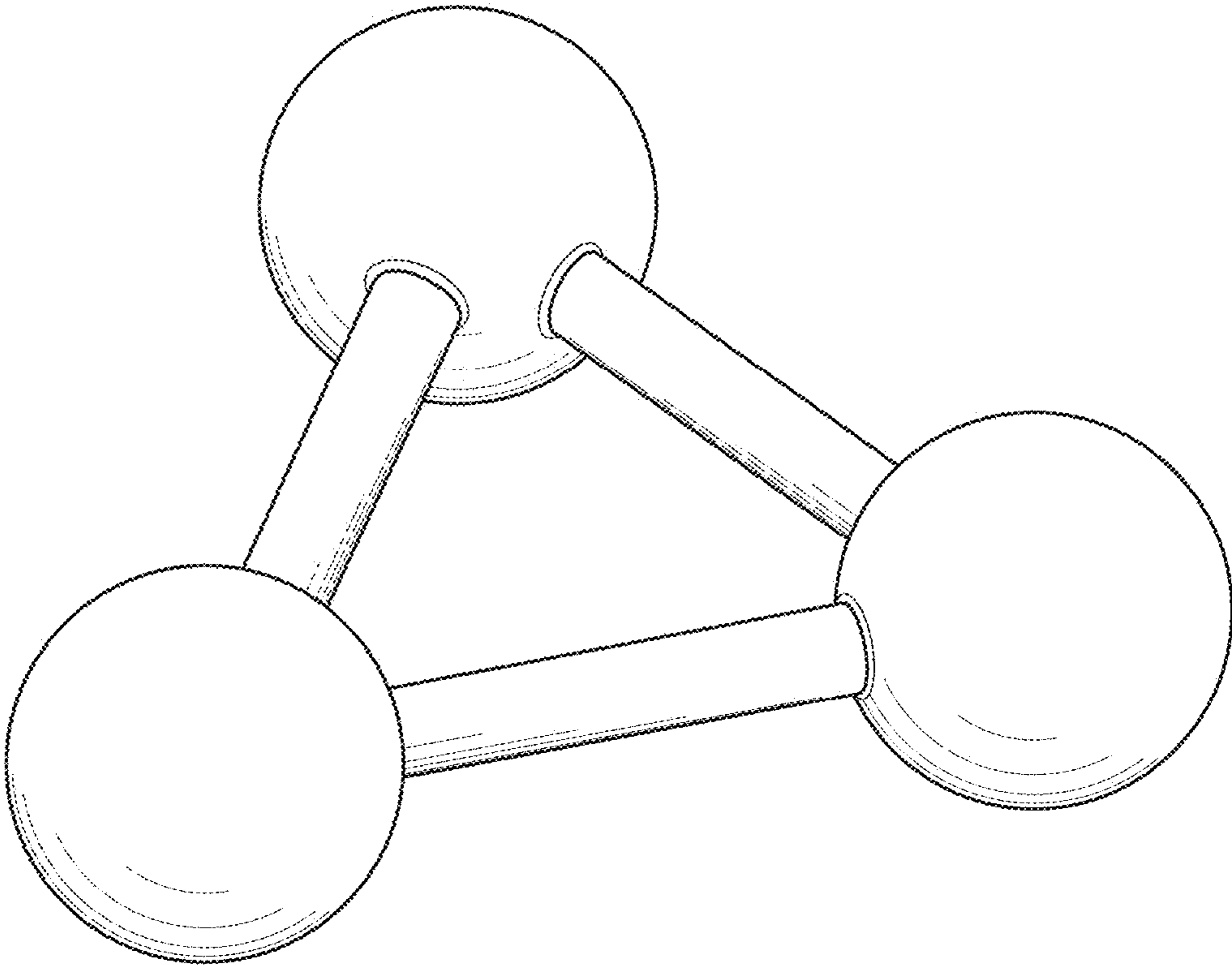


FIG. 1

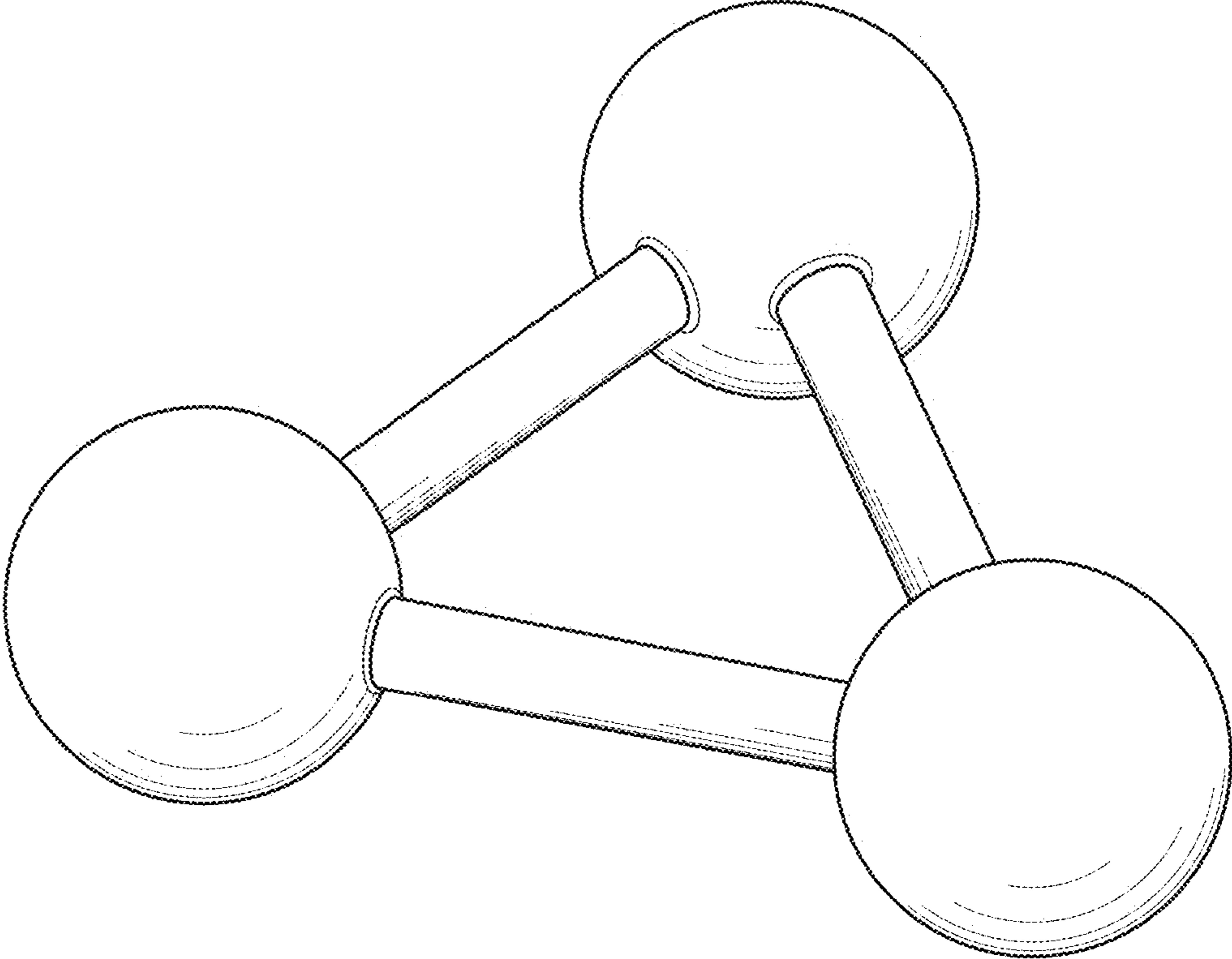


FIG. 2

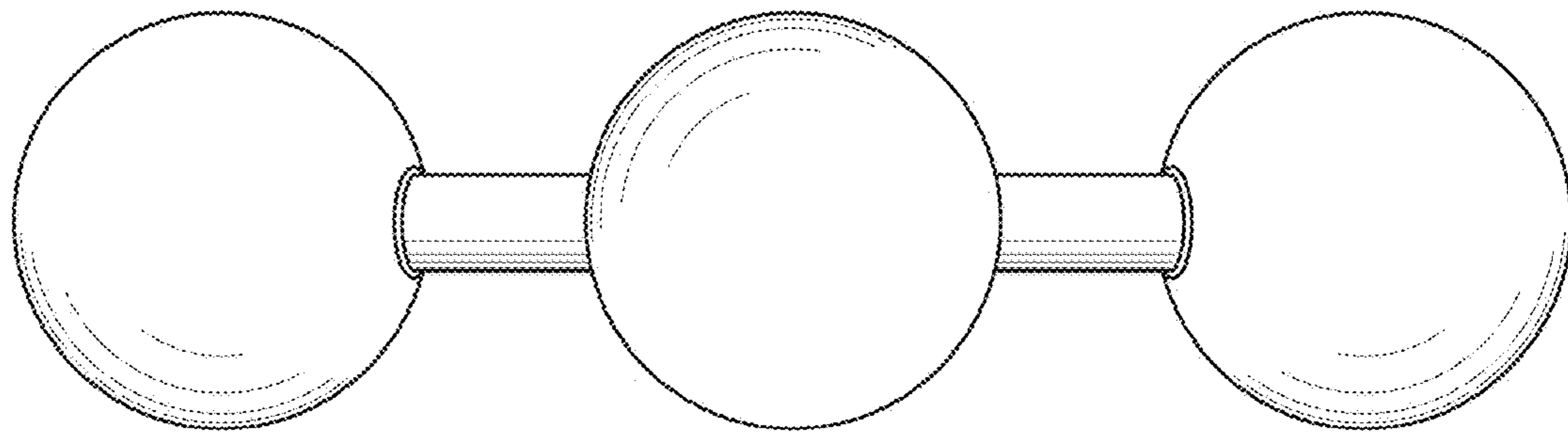


FIG. 3

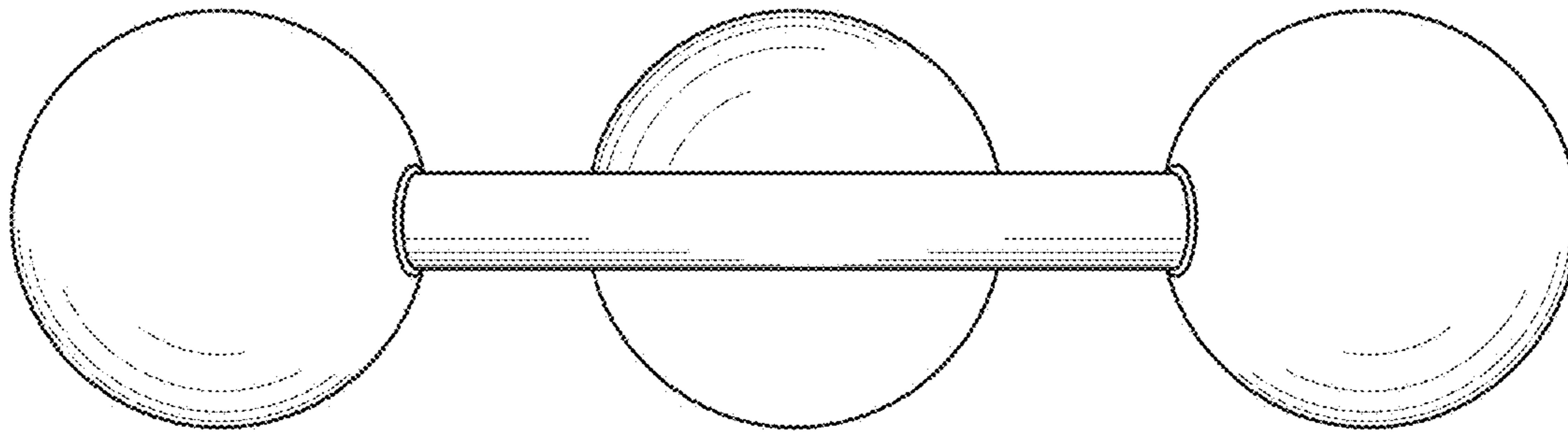


FIG. 4

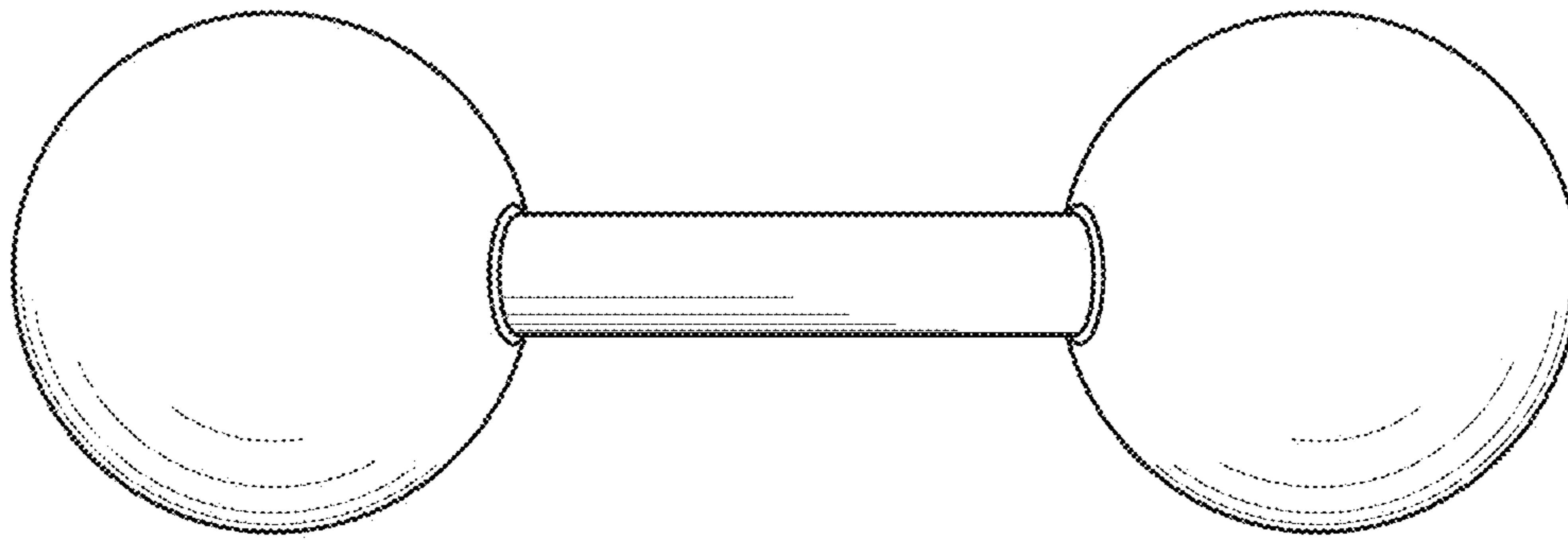


FIG. 5

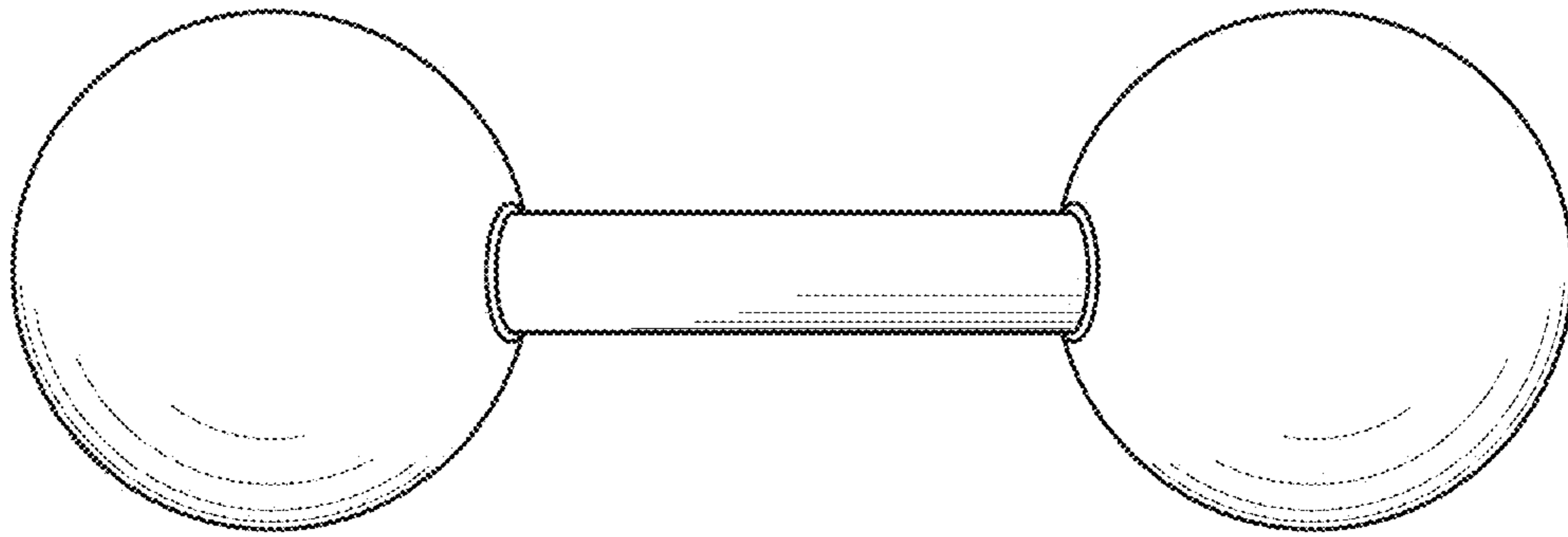


FIG. 6

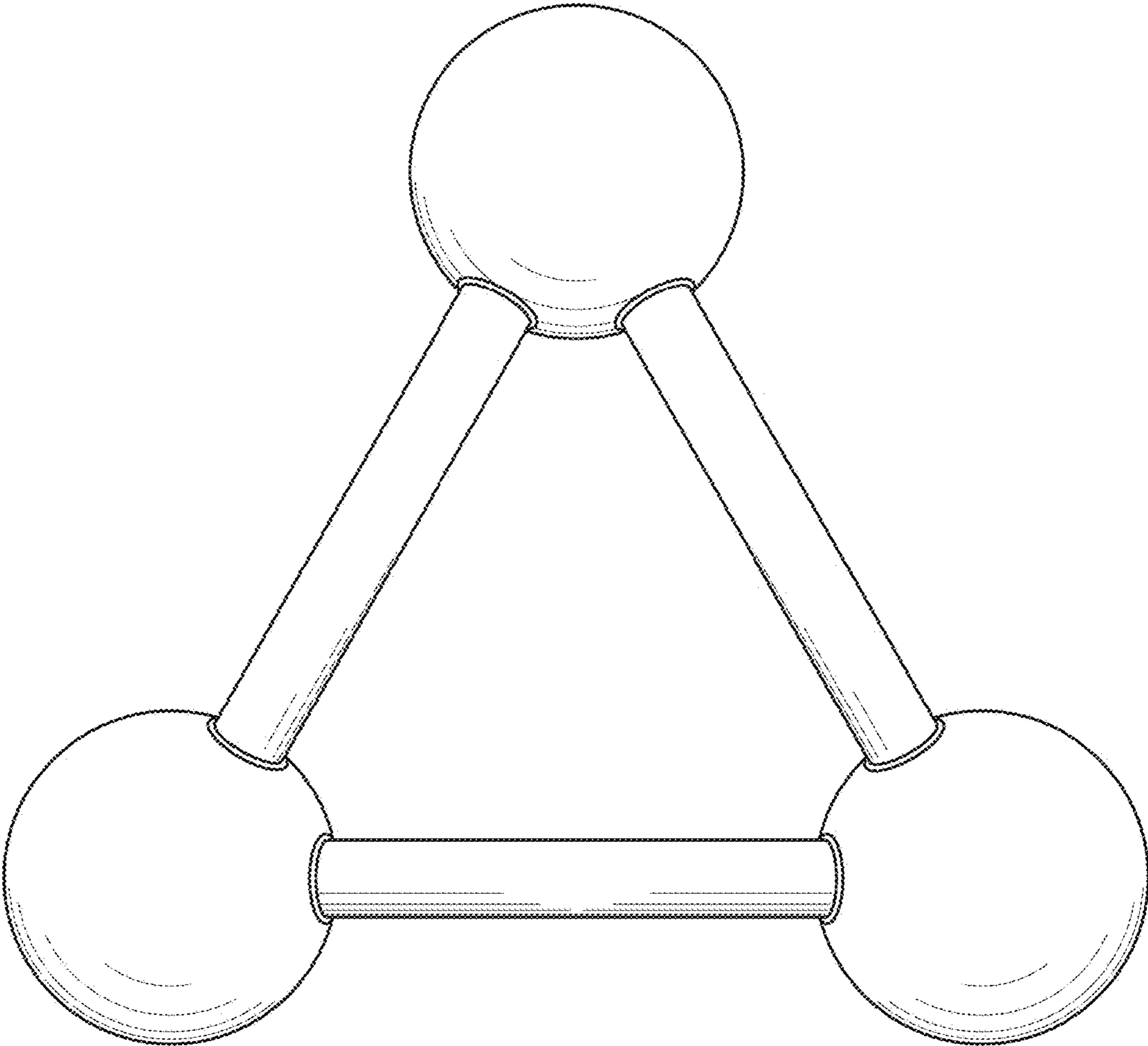


FIG. 7

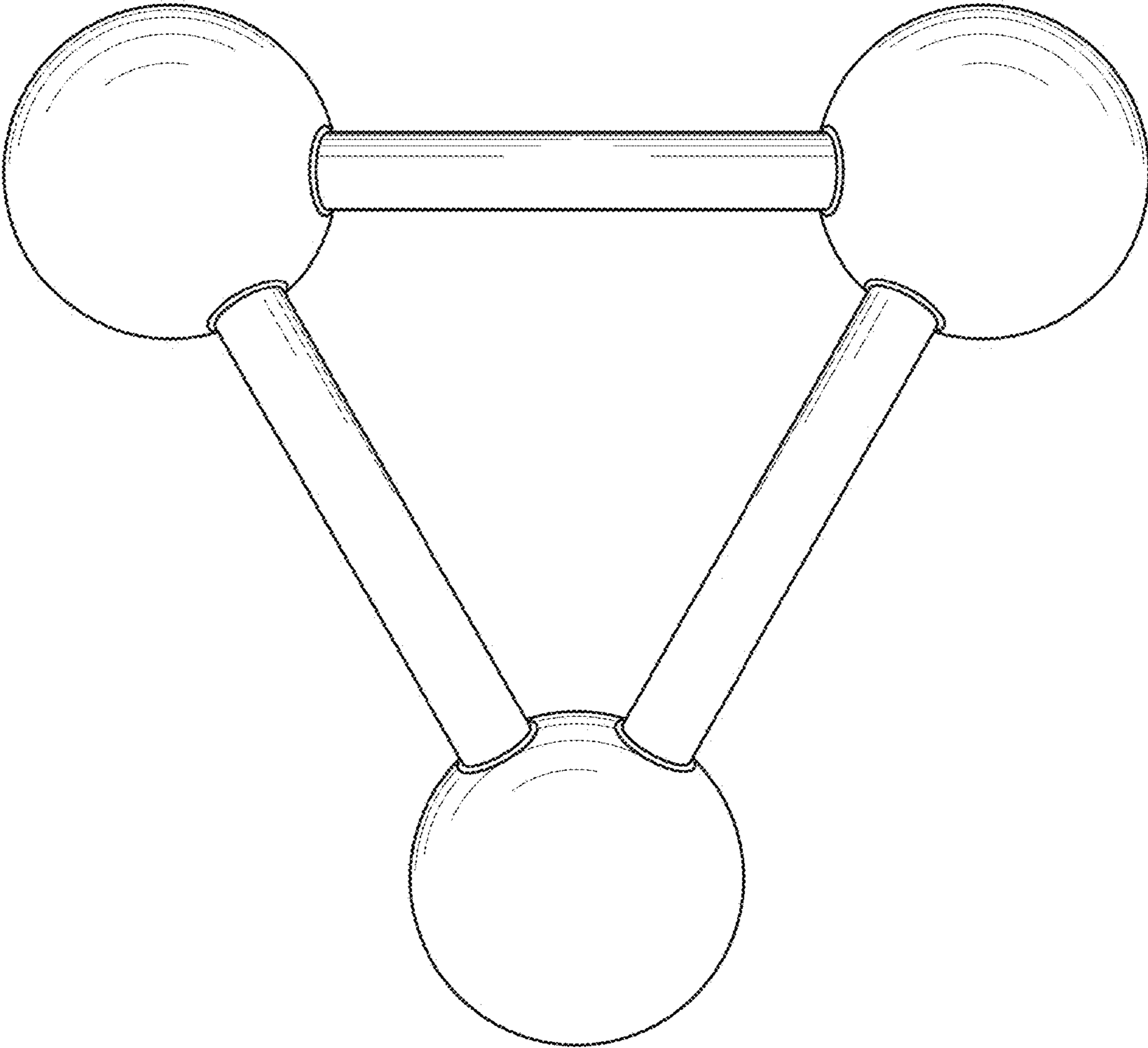


FIG. 8