



US00D819750S

(12) **United States Design Patent**  
**Putzeys et al.**

(10) **Patent No.:** **US D819,750 S**  
(45) **Date of Patent:** **\*\* Jun. 5, 2018**

(54) **SHIELD**

- (71) Applicant: **Disney Enterprises, Inc.**, Burbank, CA (US)
- (72) Inventors: **Philippe Putzeys**, Los Angeles, CA (US); **John Peter Fiscella**, Valencia, CA (US); **Michael Paul Goslin**, Sherman Oaks, CA (US); **Joseph Logan Olson**, Eagle Rock, CA (US); **Paulo Kang**, Burbank, CA (US); **John Henry Harris, III**, Glendale, CA (US); **Katherine M. Bassett**, Pasadena, CA (US)
- (73) Assignee: **Disney Enterprises, Inc.**, Burbank, CA (US)

(\*\*) Term: **15 Years**

(21) Appl. No.: **29/551,238**

(22) Filed: **Jan. 12, 2016**

(51) **LOC (11) Cl.** ..... **21-01**

(52) **U.S. Cl.**  
USPC ..... **D21/483**

(58) **Field of Classification Search**  
USPC ..... D21/483, 570, 573-575; D22/108, 109, D22/110; D29/100, 106, 108, 110, 111, D29/122; D14/450, 455; D15/138  
CPC ..... A63H 33/009; F41H 5/08  
See application file for complete search history.

(56) **References Cited**

U.S. PATENT DOCUMENTS

- 2,820,318 A \* 1/1958 Guyer ..... A63H 33/00 2/2.5
- 4,833,967 A \* 5/1989 Kornhauser ..... F41H 5/02 206/3
- 5,273,607 A \* 12/1993 O'Scanlon ..... A63H 33/009 156/277
- D360,242 S \* 7/1995 Choi ..... D21/483

(Continued)

OTHER PUBLICATIONS

Link: [www.imbd.com](http://www.imbd.com) <<http://www.imbd.com>>, downloaded photo of Captain America: The First Avenger movie, Jul. 5, 2011.

*Primary Examiner* — Cynthia M Chin  
(74) *Attorney, Agent, or Firm* — Patterson + Sheridan, LLP

(57) **CLAIM**

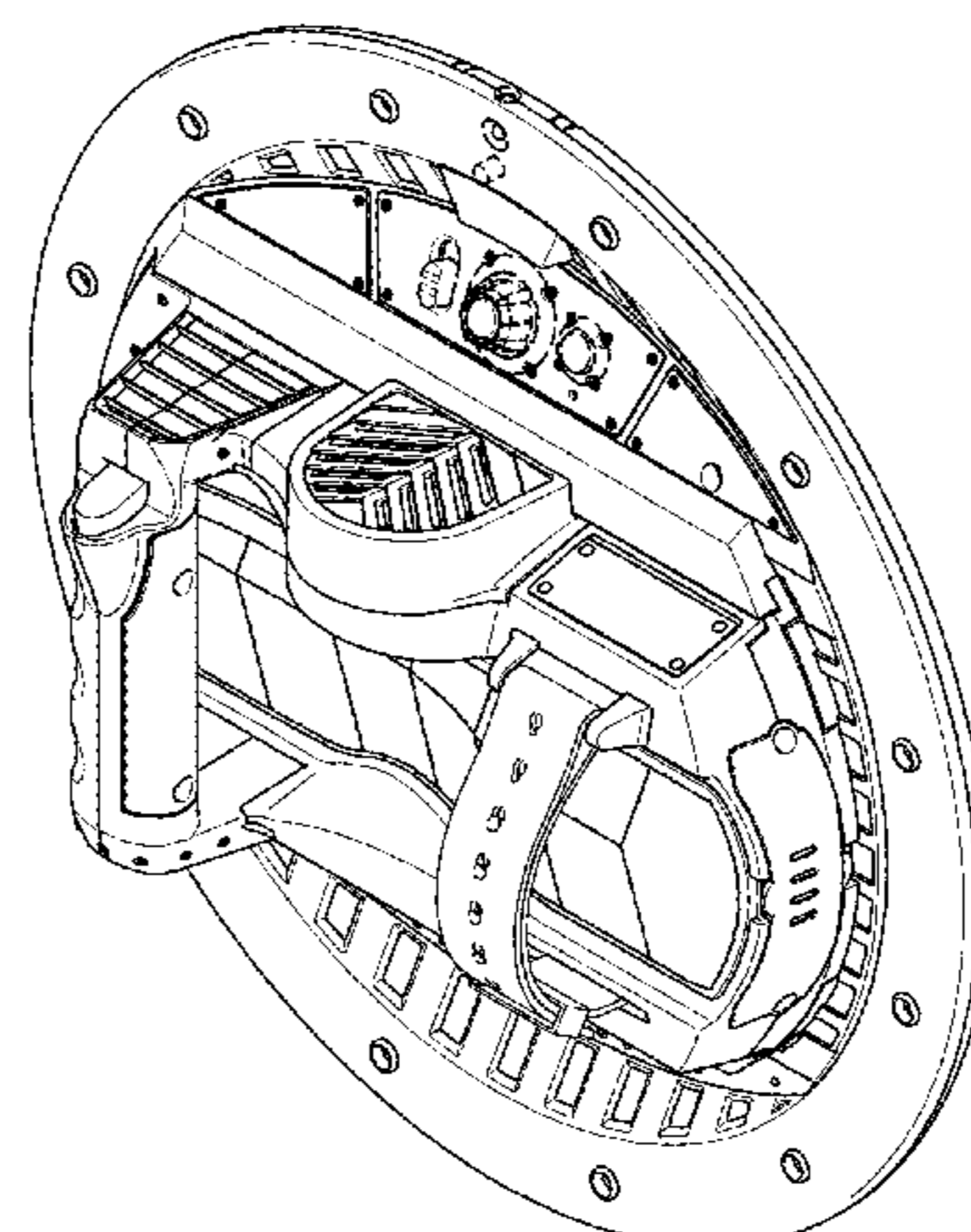
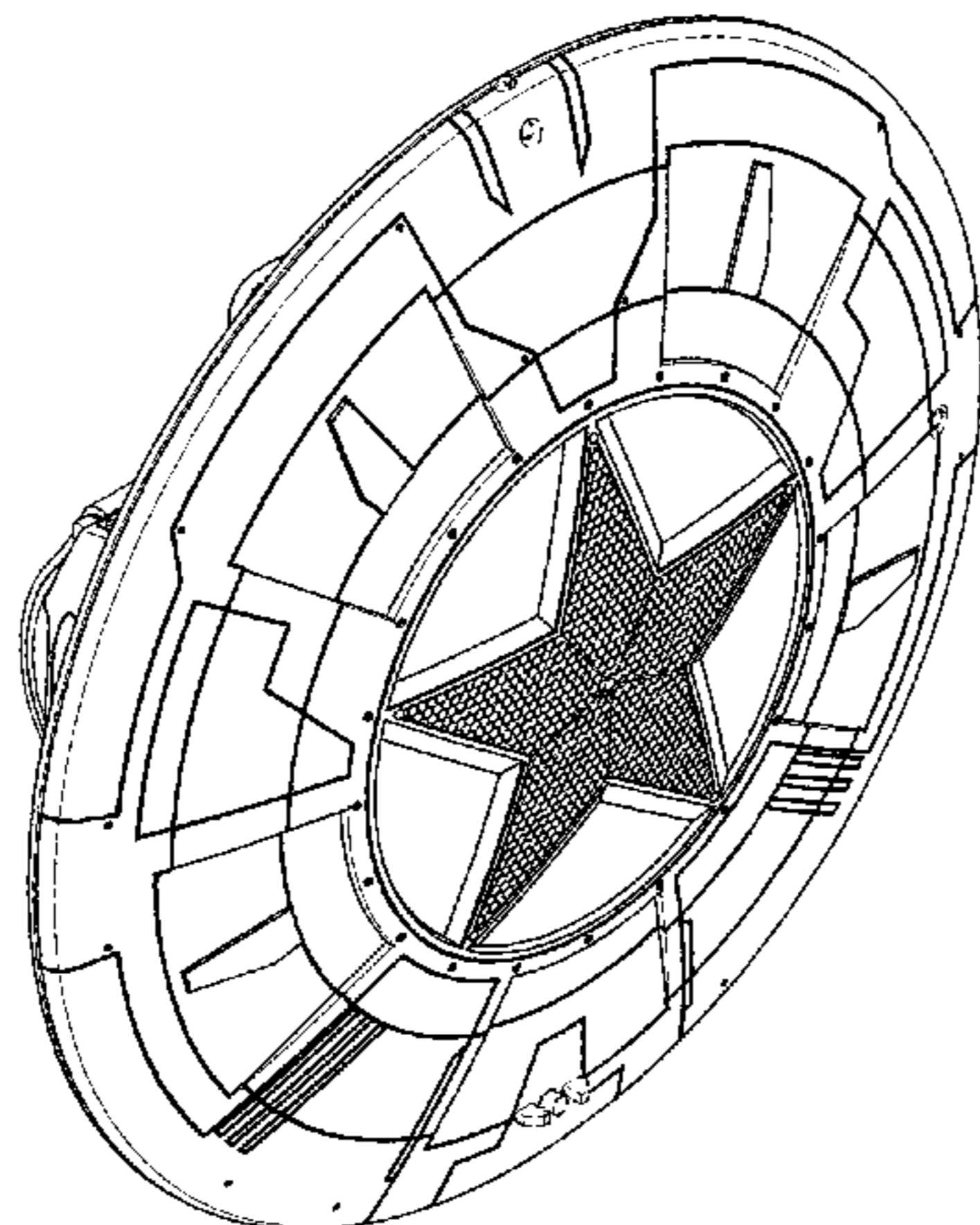
The ornamental design for a shield, as shown and described.

**DESCRIPTION**

FIG. 1 is a top front perspective view of a shield showing our new design;  
 FIG. 2 is a bottom front perspective view thereof;  
 FIG. 3 is a top rear perspective view thereof;  
 FIG. 4 is another top rear perspective view thereof;  
 FIG. 5 is a bottom rear perspective view thereof;  
 FIG. 6 is another bottom rear perspective view thereof;  
 FIG. 7 is a front elevational view thereof;  
 FIG. 8 is a right side elevational view thereof;  
 FIG. 9 is a rear elevational view thereof;  
 FIG. 10 is a left side elevational view thereof;  
 FIG. 11 is a top plan view thereof;  
 FIG. 12 is a bottom plan view thereof;  
 FIG. 13 is an enlarged partial top front perspective view thereof;  
 FIG. 14 is an enlarged partial front elevational view thereof;  
 FIG. 15 is an enlarged partial rear perspective view thereof;  
 and,  
 FIG. 16 is another enlarged partial rear perspective view thereof.

The broken lines are for the purpose of illustrating portions of the article that form no part of the claim.  
The dash-dot broken lines in FIGS. 13-16 enclose portions of the claimed design that are illustrated in enlargements and form no part of the claimed design.

**1 Claim, 16 Drawing Sheets**



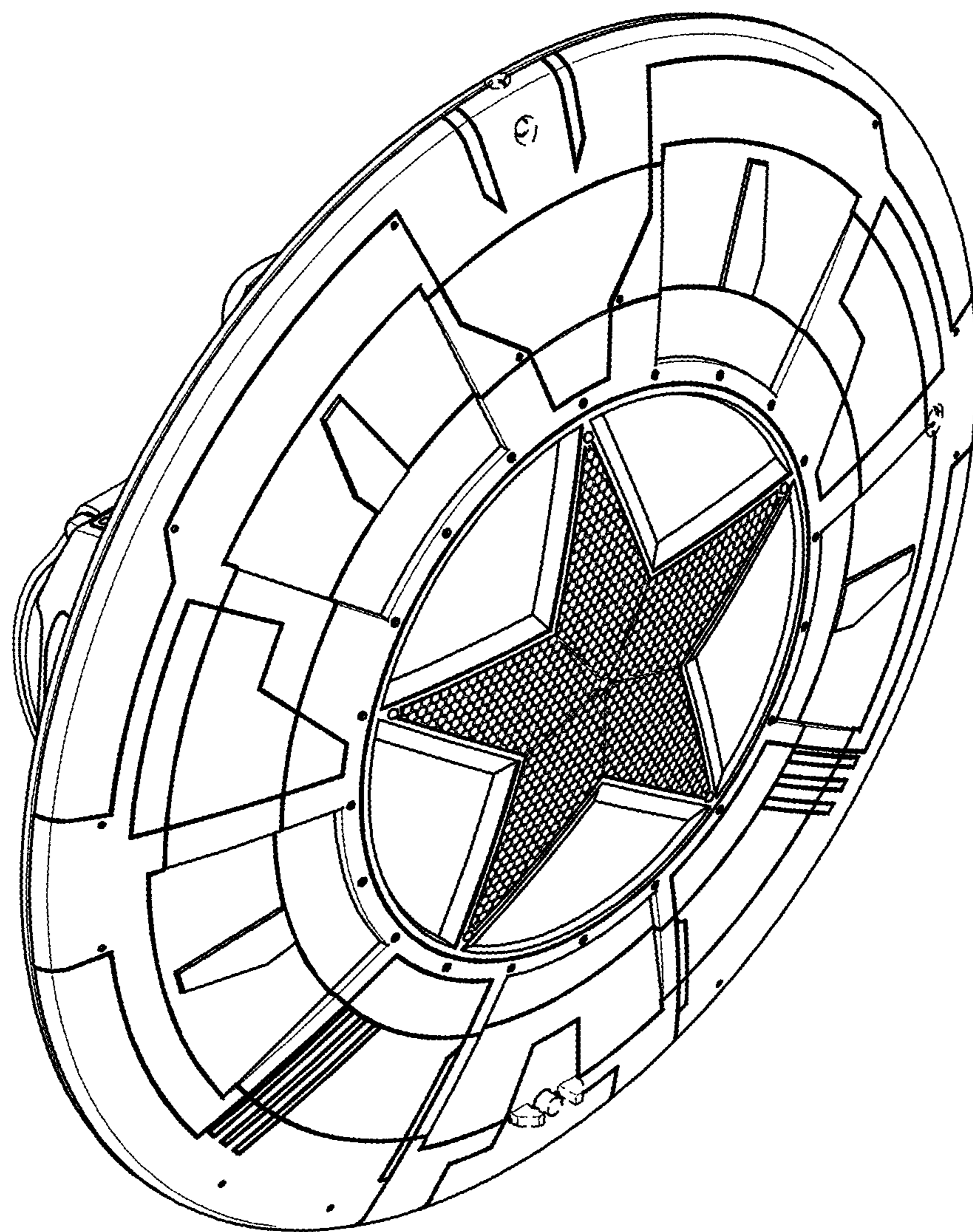
(56)

**References Cited**

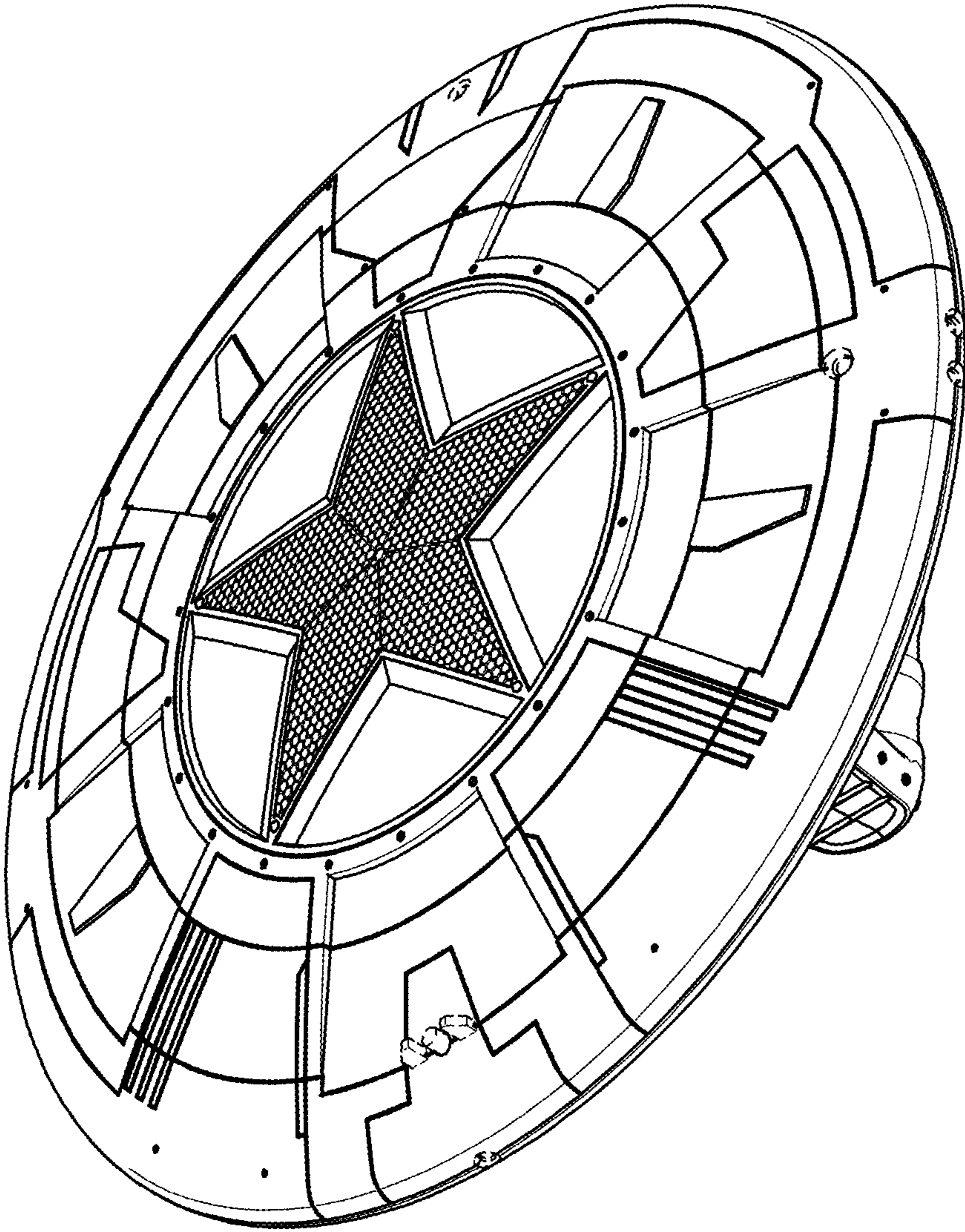
U.S. PATENT DOCUMENTS

D362,697 S \* 9/1995 Choi ..... D21/483  
D417,246 S \* 11/1999 Choi ..... D21/483  
D634,371 S \* 3/2011 Mastin ..... D21/483  
2007/0111636 A1\* 5/2007 Hatherley ..... A63H 33/009  
446/473  
2015/0217202 A1\* 8/2015 Morikawa ..... A63H 11/18  
446/355

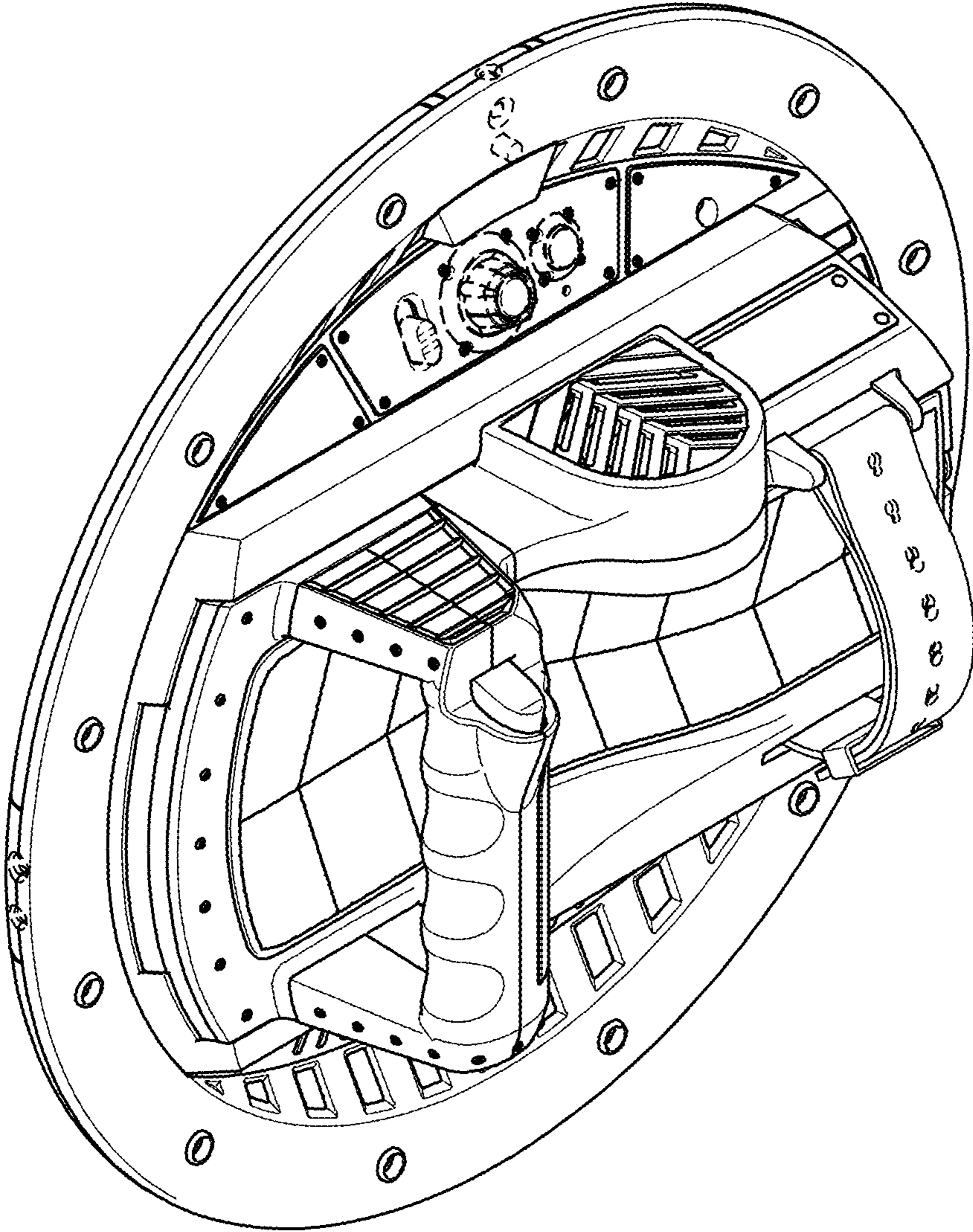
\* cited by examiner



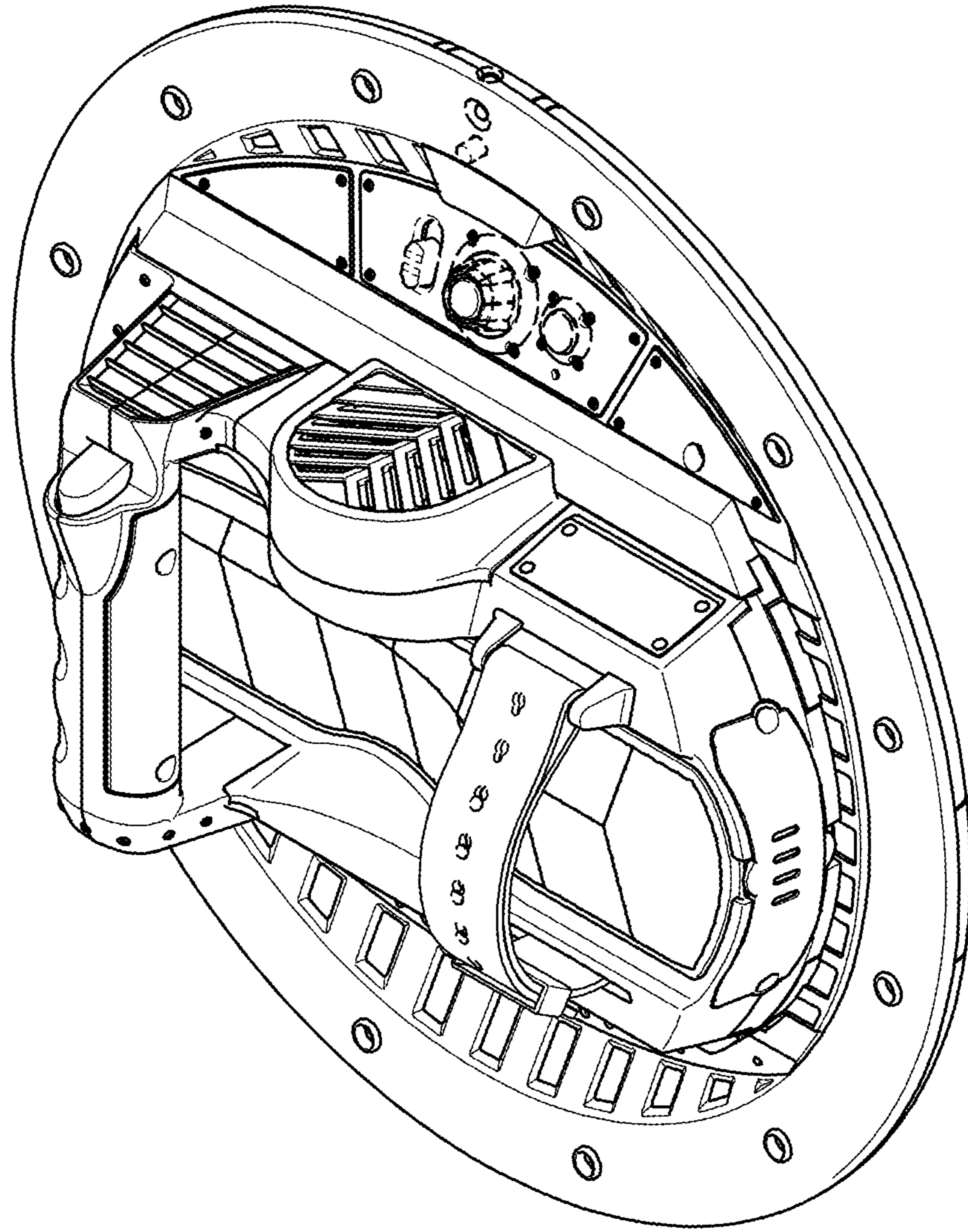
*Fig. 1*



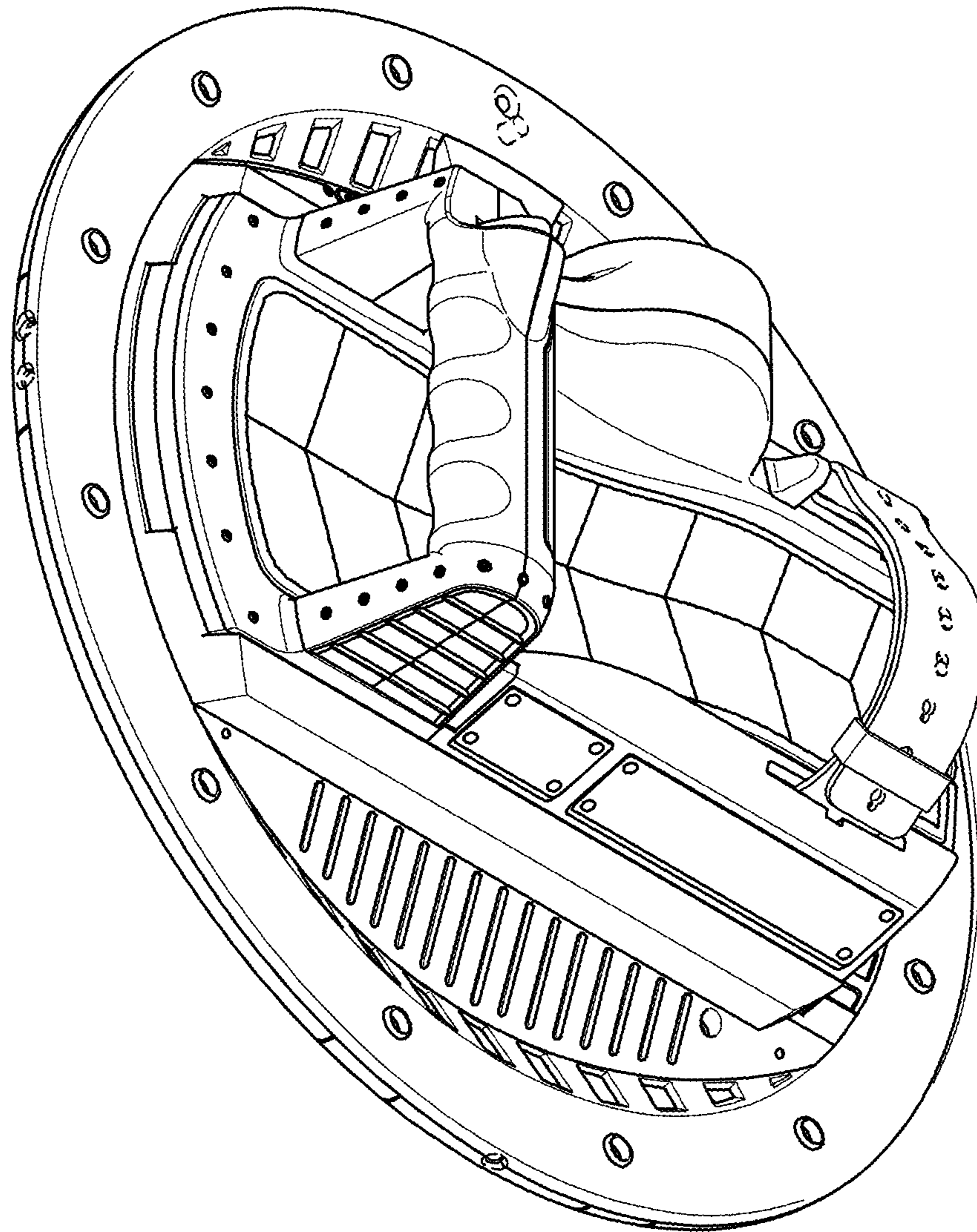
*Fig. 2*



*Fig. 3*



*Fig. 4*



*Fig. 5*

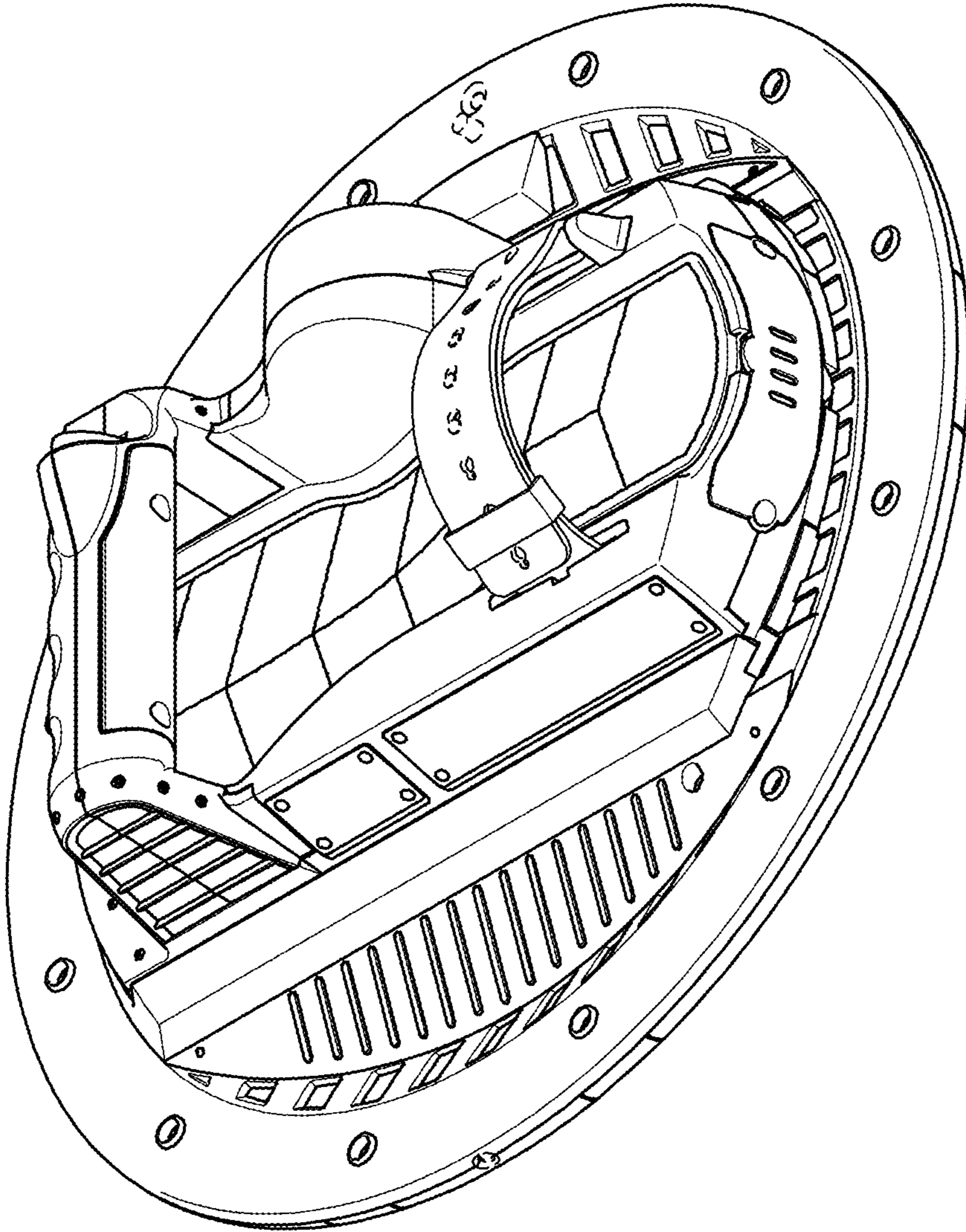
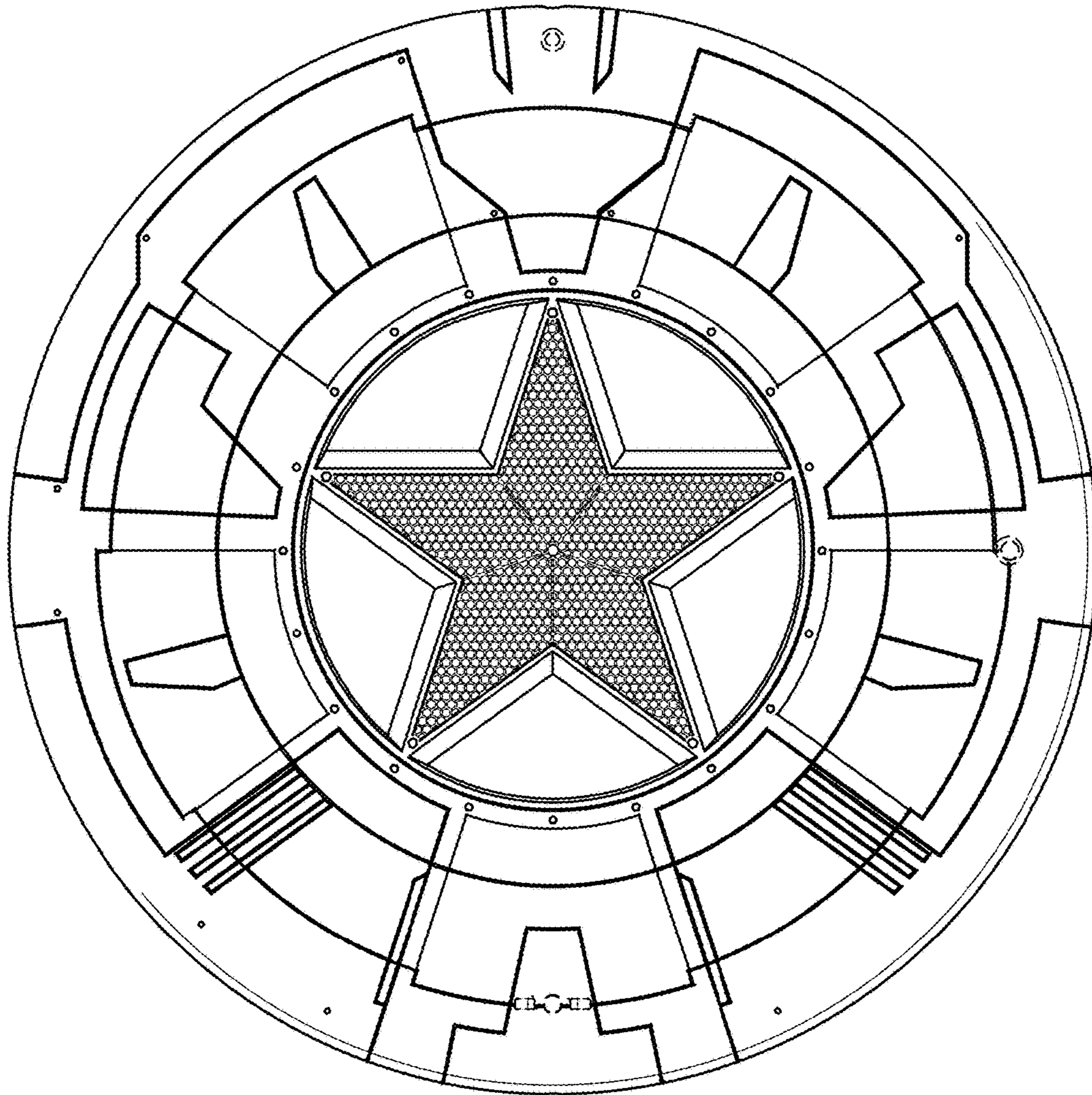
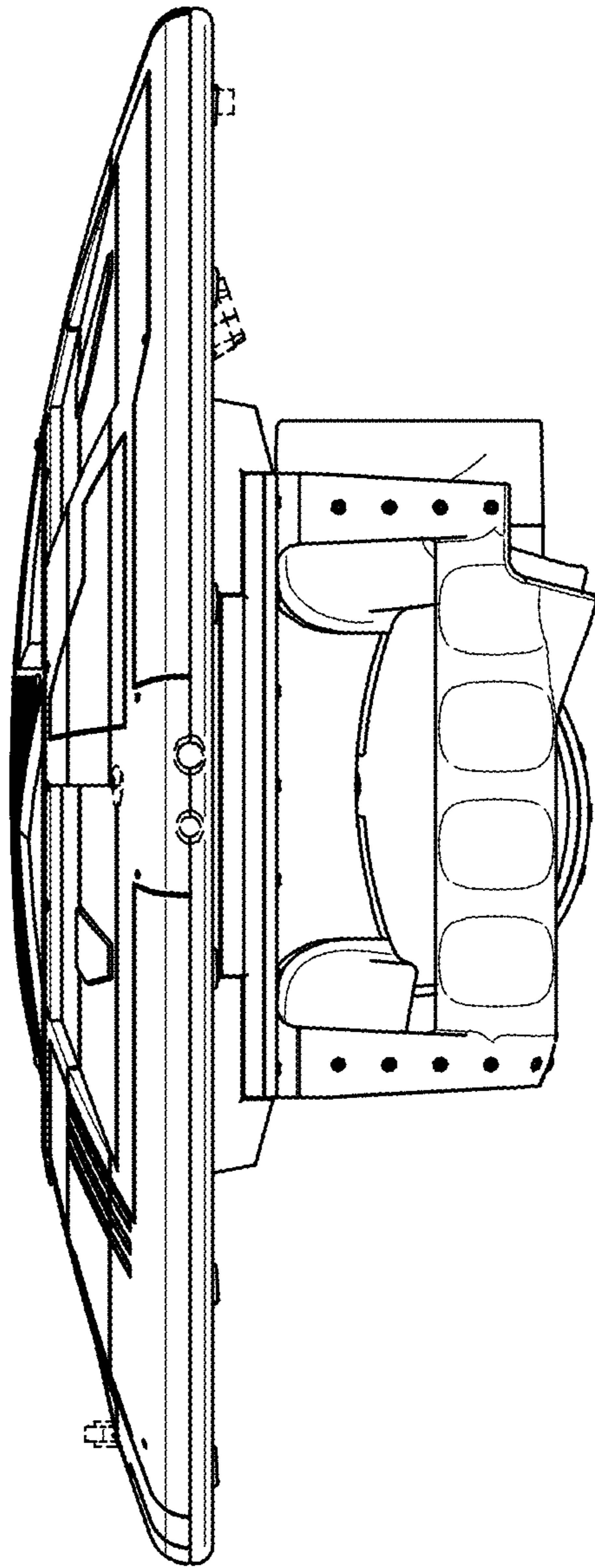


Fig. 6

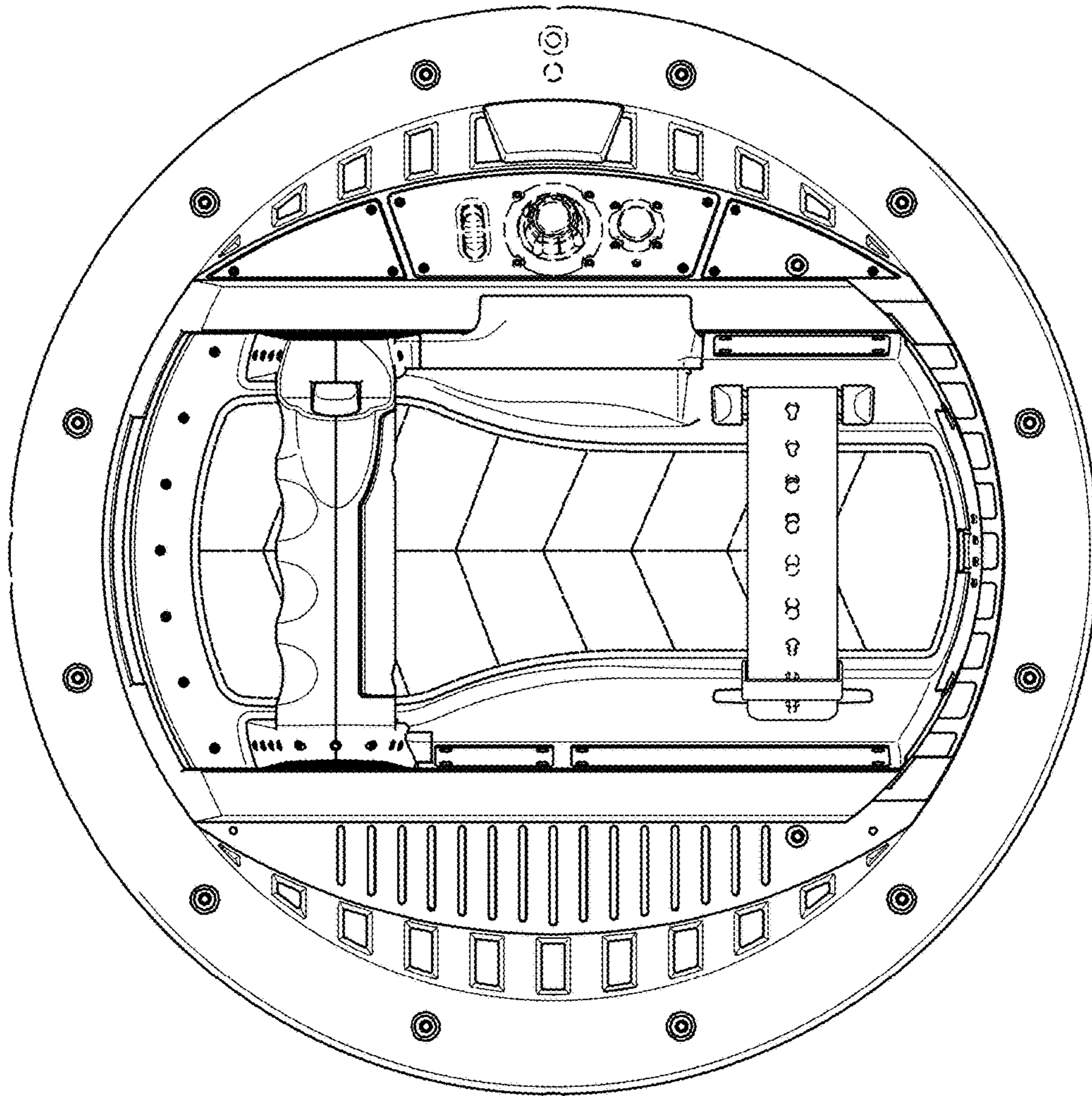




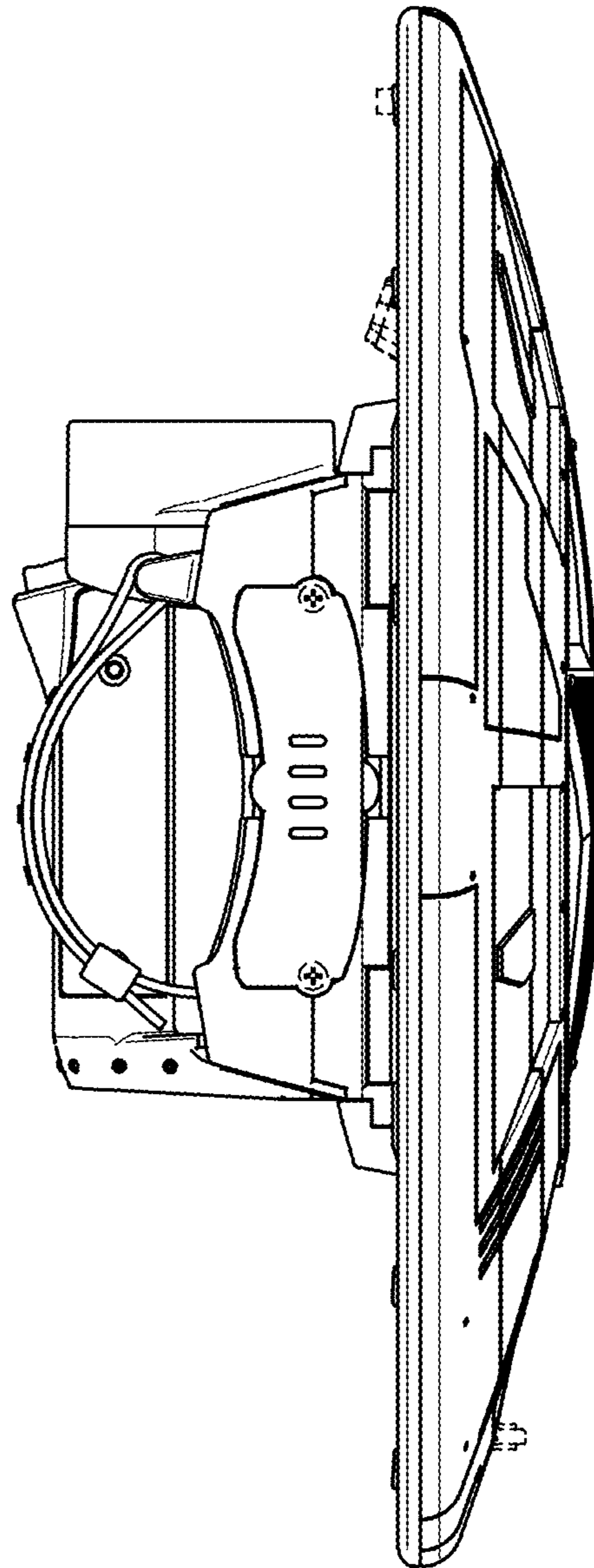
*Fig. 7*



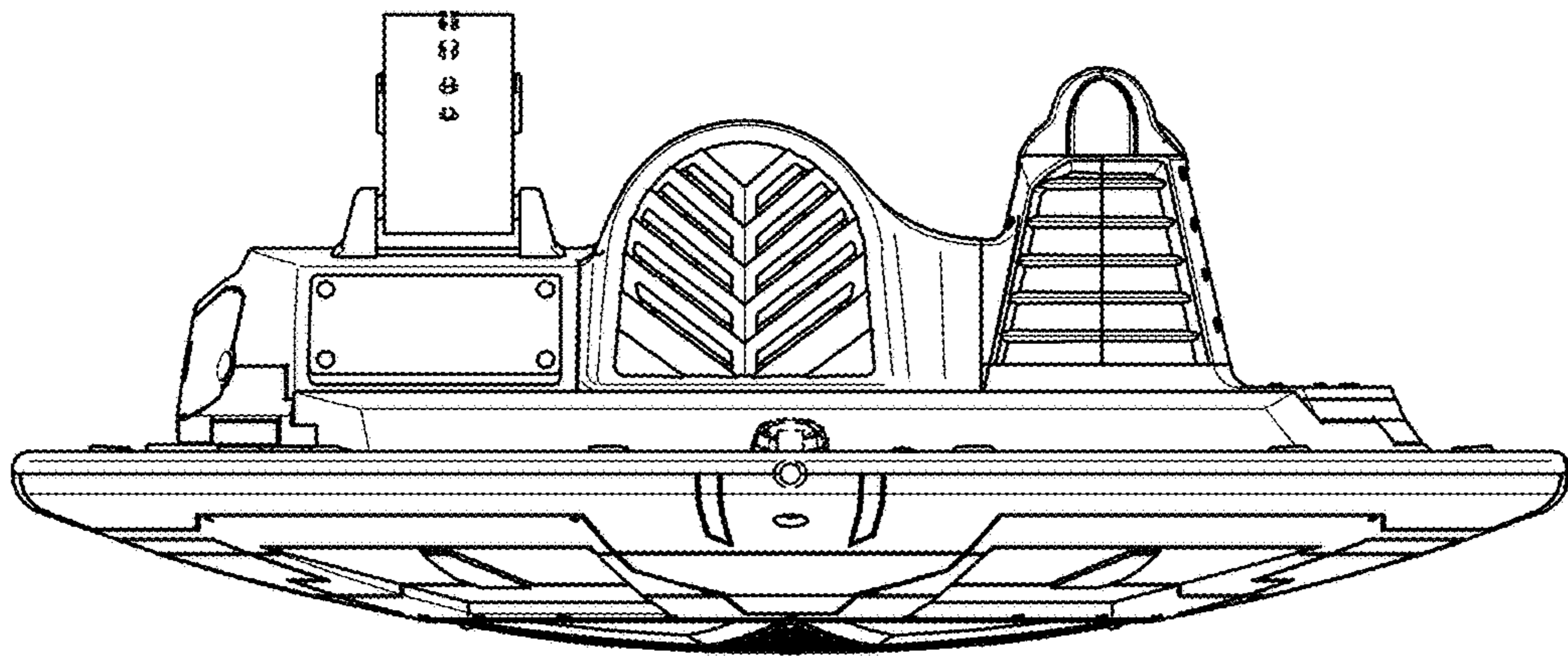
*Fig. 8*



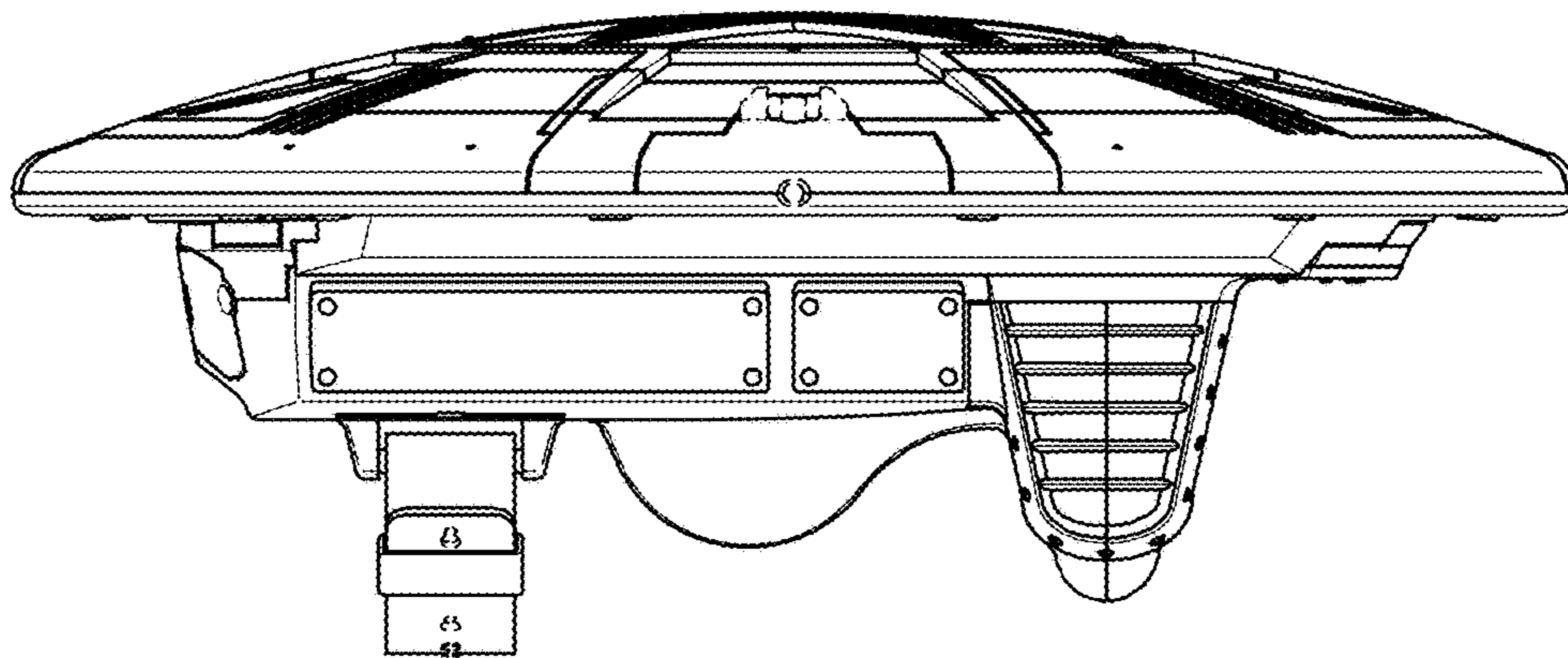
*Fig. 9*



*Fig. 10*



*Fig. 11*



*Fig. 12*

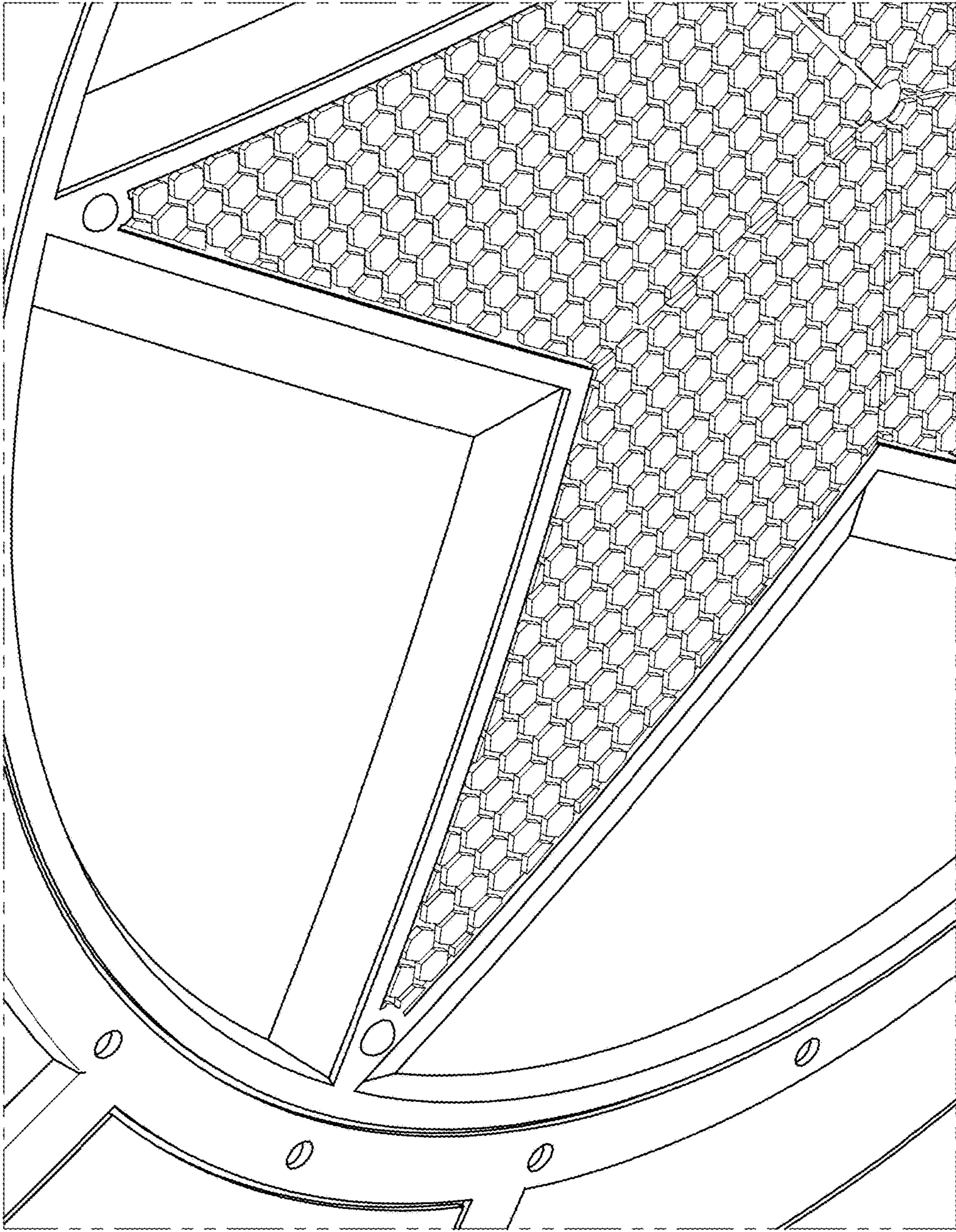


Fig. 13

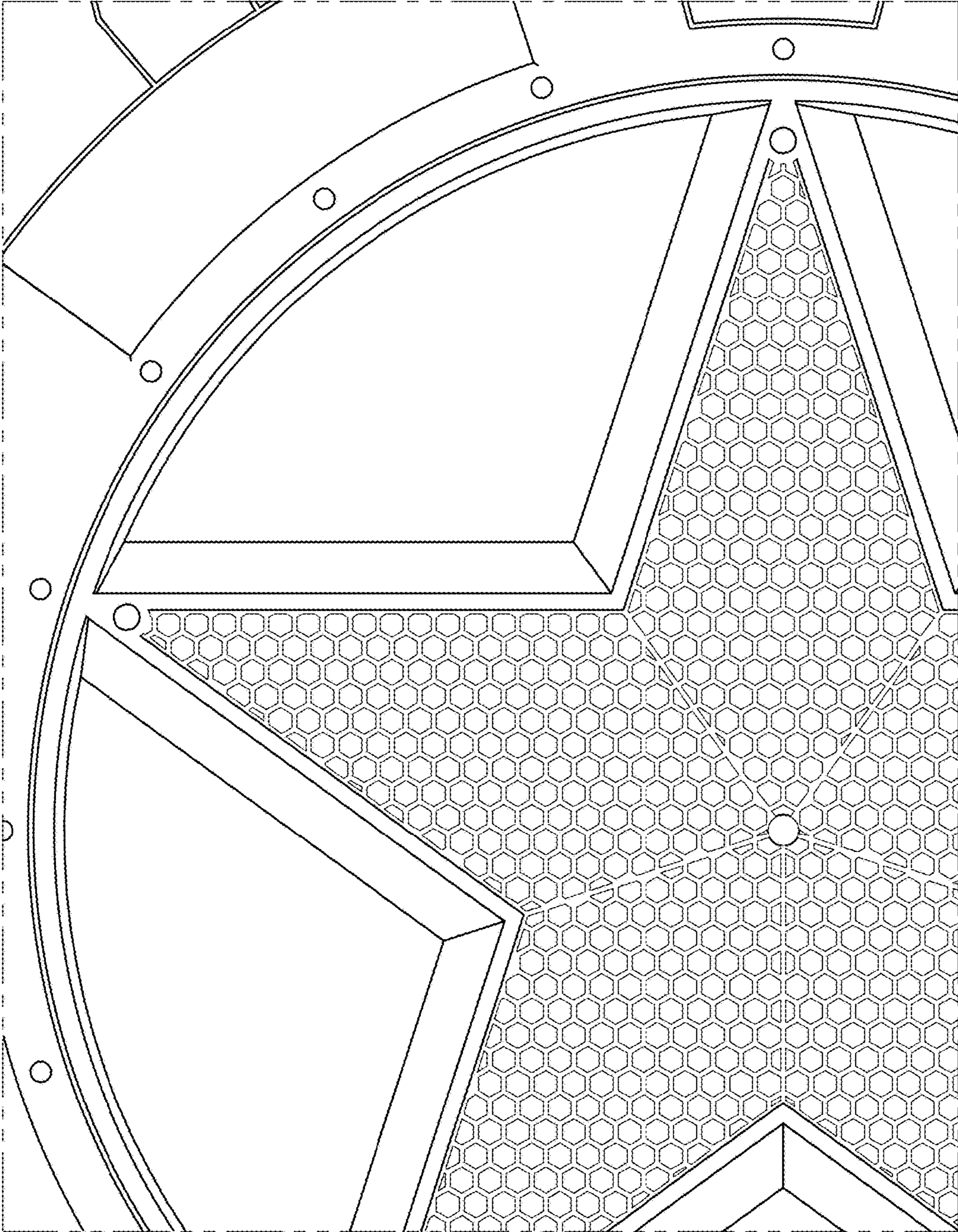


Fig. 14



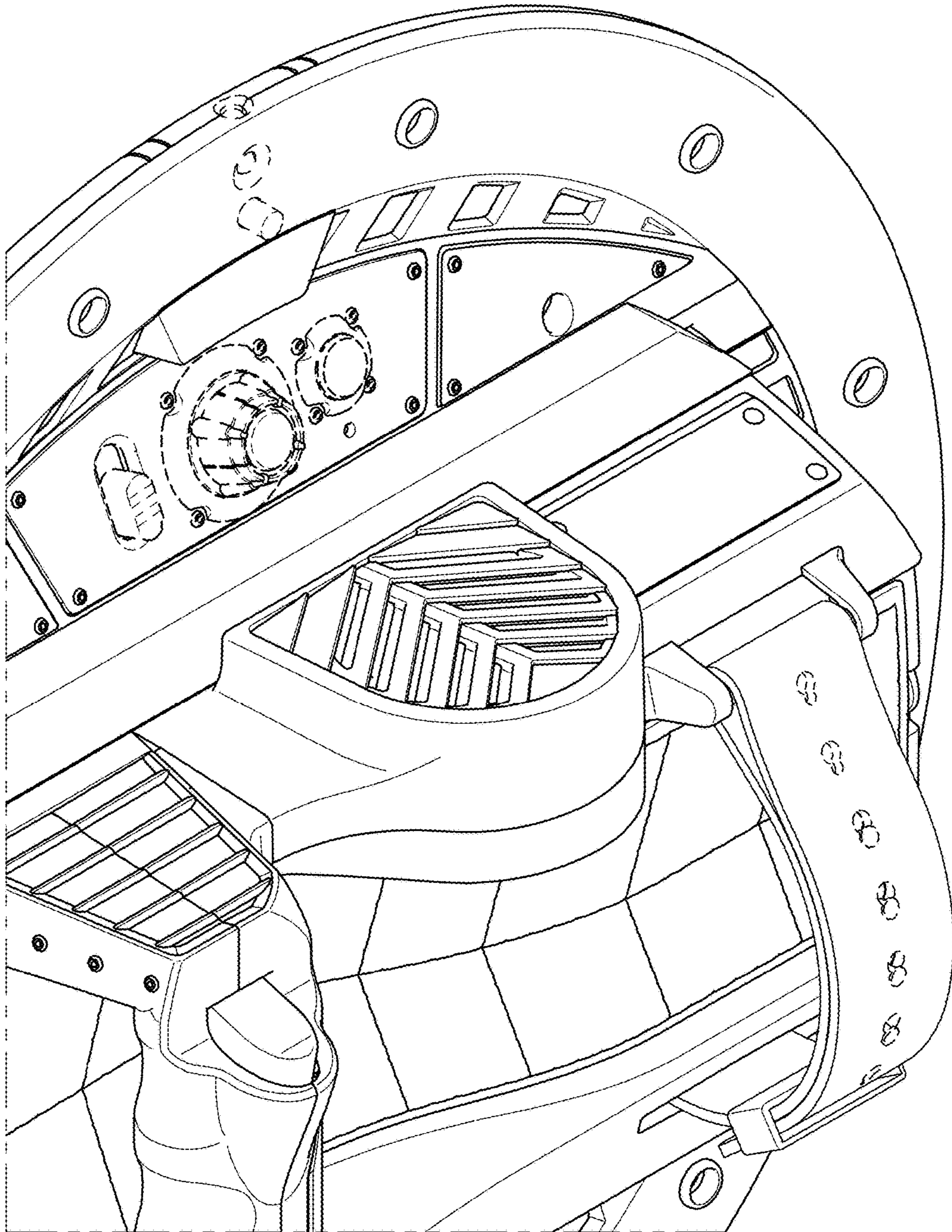


Fig. 15

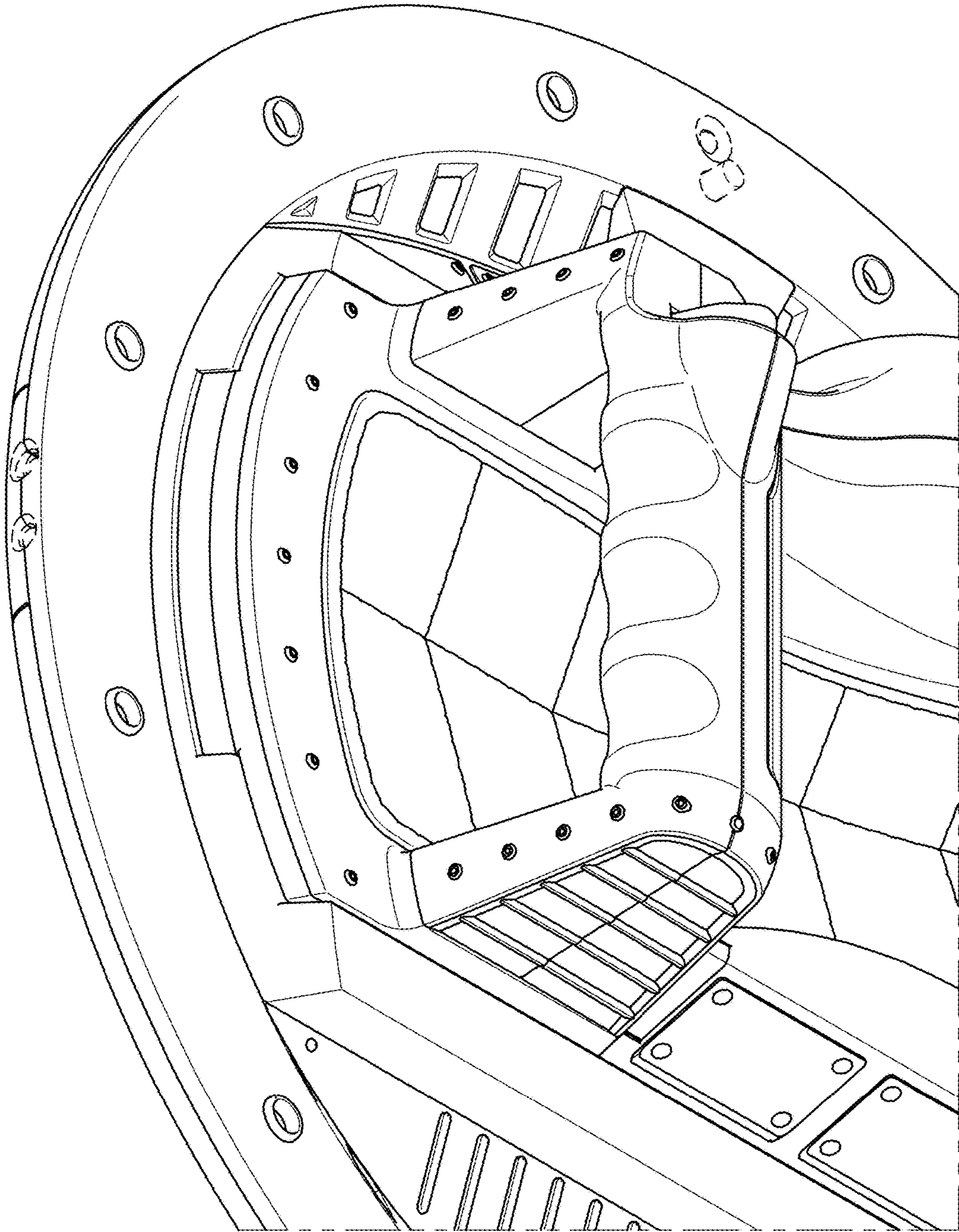


Fig. 16