



US00D819749S

(12) **United States Design Patent**
Caubel et al.

(10) **Patent No.:** **US D819,749 S**
(45) **Date of Patent:** **** Jun. 5, 2018**

(54) **REMOTE-CONTROLLED FLYING DRONE**

(71) Applicant: **PARROT**, Paris (FR)

(72) Inventors: **Christine Caubel**, Paris (FR);
Guillaume Savoye, Paris (FR); **Flavien Morra**, Paris (FR); **Karim Fargeau**, Paris (FR)

(73) Assignee: **Parrot Drones**, Paris (FR)

(**) Term: **15 Years**

(21) Appl. No.: **29/542,723**

(22) Filed: **Oct. 16, 2015**

(30) **Foreign Application Priority Data**

Oct. 1, 2015 (EM) 002806950-0001

(51) **LOC (11) Cl.** **21-01**

(52) **U.S. Cl.**
USPC **D21/449**; D12/16.1

(58) **Field of Classification Search**
USPC D12/16.1, 319, 323-345; D21/436, 438,
D21/439, 440, 441, 447, 448, 449, 450,
D21/452, 453, 454, 455
CPC B64C 1/062; B64C 39/024; B64C 27/08
See application file for complete search history.

(56) **References Cited**

U.S. PATENT DOCUMENTS

- 3,053,480 A * 9/1962 Vanderlip B64C 27/54
244/17.13
- 3,768,757 A * 10/1973 Eickmann B64C 27/12
244/17.23
- 5,082,079 A * 1/1992 Lissaman B64C 27/20
180/118
- 6,260,796 B1 * 7/2001 Klingensmith G05D 1/0858
244/17.11
- D628,658 S * 12/2010 Wurm D21/442
- D648,808 S * 11/2011 Seydoux D21/441

- D648,809 S * 11/2011 Seydoux D21/441
- D659,771 S * 5/2012 Seydoux D21/441
- D691,514 S * 10/2013 Wang D12/16.1
- 8,662,438 B2 * 3/2014 Savoye A63H 27/12
244/17.11
- 8,967,029 B1 * 3/2015 Calvert F41H 13/00
239/171
- 9,061,763 B1 * 6/2015 Christensen A63H 17/28
- 9,099,902 B2 * 8/2015 Chen H02K 5/225
- D741,751 S * 10/2015 Klaptocz D12/16.1

(Continued)

OTHER PUBLICATIONS

Parrot Bebop 2. dated 2016. found online [Nov. 12, 2015] <https://www.parrot.com/us/drones/parrot-bebop-2-fpv#technicals>.*

Primary Examiner — Robert M. Spear

Assistant Examiner — Marissa J Cash

(74) *Attorney, Agent, or Firm* — Marshall, Gerstein & Borun LLP

(57) **CLAIM**

The ornamental design for a remote-controlled flying drone, as shown and described.

DESCRIPTION

FIG. 1 is a front, right-side, and top view of a remote-controlled flying drone showing the new design.

FIG. 2 is a front elevation view of the remote-controlled drone.

FIG. 3 is a top plan view.

FIG. 4 is a right-side elevation view.

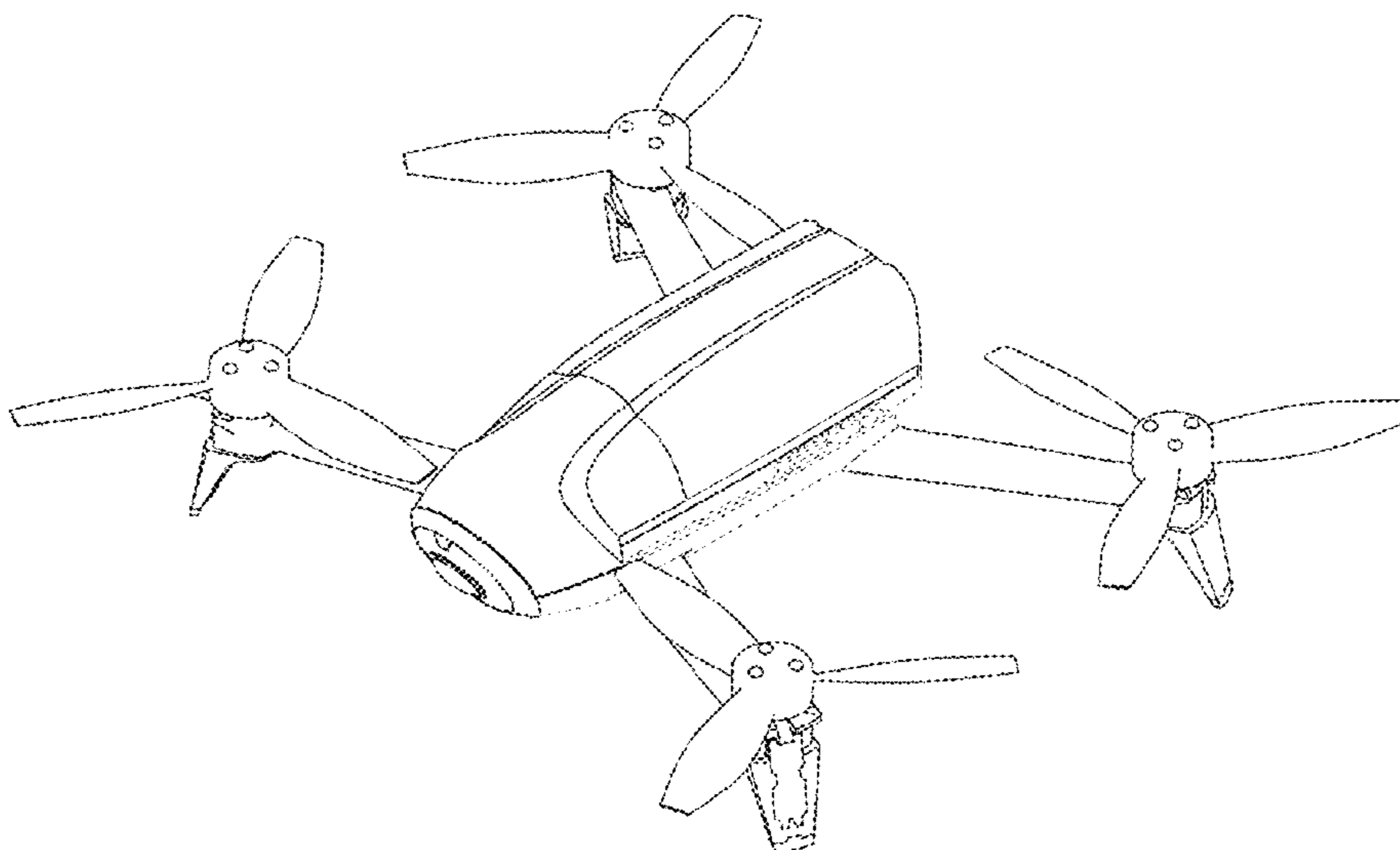
FIG. 5 is a left-side elevation view.

FIG. 6 is a bottom plan view; and,

FIG. 7 is a rear elevation view.

The broken lines represent portions of the remote-controlled drone with removable bumpers that form no part of the claimed design. The dash-dot lines mark boundaries of the claimed design.

1 Claim, 7 Drawing Sheets



(56)

References Cited

U.S. PATENT DOCUMENTS

2007/0105474	A1 *	5/2007	Gotou	A63H 27/02 446/37
2010/0243794	A1 *	9/2010	Jermyn	A63H 27/12 244/17.23
2012/0056041	A1 *	3/2012	Rhee	B64C 25/32 244/4 R
2012/0234969	A1 *	9/2012	Savoye	A63H 27/12 244/17.13
2012/0241555	A1 *	9/2012	Savoye	A63H 27/12 244/54
2015/0129711	A1 *	5/2015	Caubel	B64C 27/08 244/17.23
2015/0321759	A1 *	11/2015	Caubel	B64C 39/024 244/17.23
2016/0130015	A1 *	5/2016	Caubel	B64C 27/001 244/120

* cited by examiner

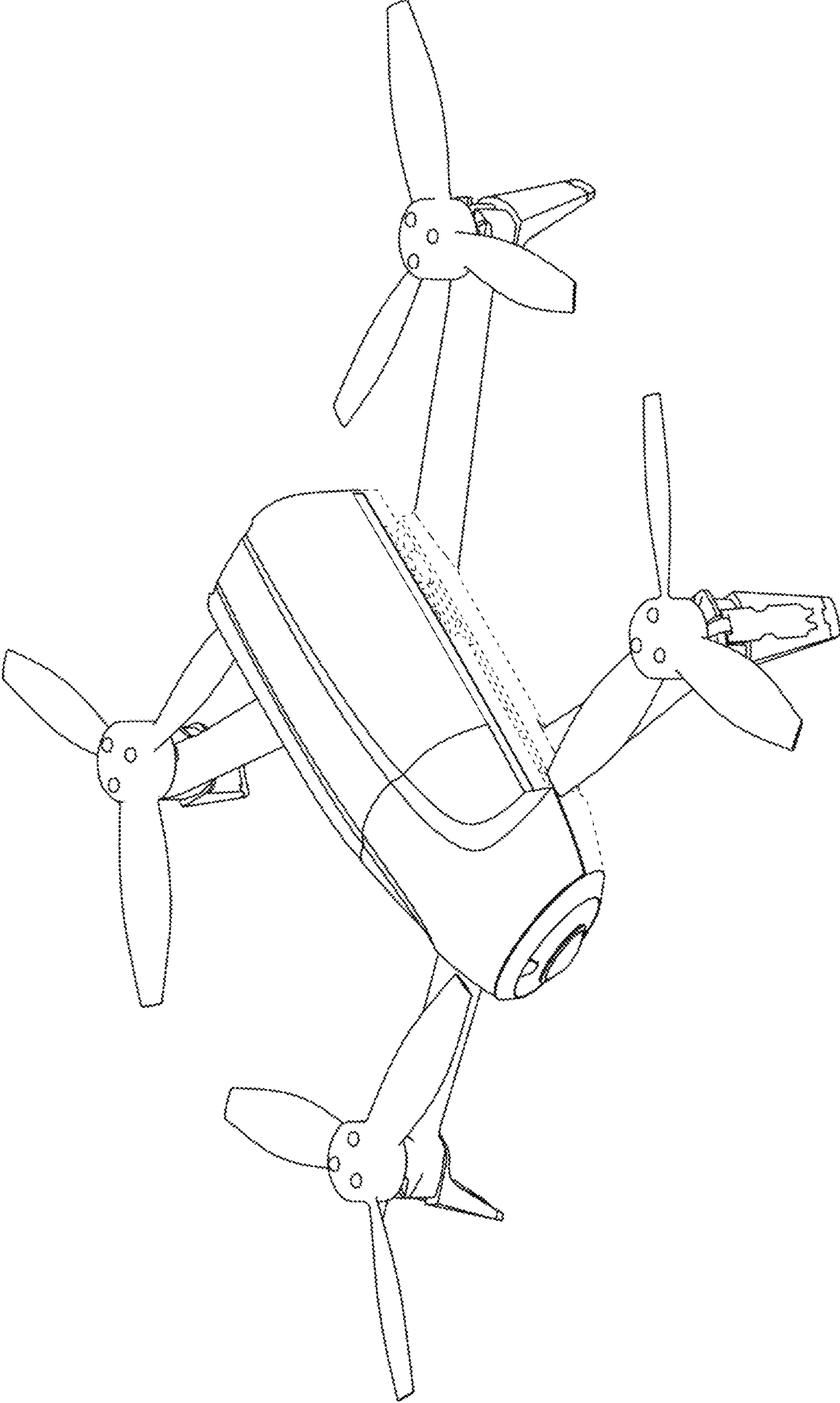


FIG. 1

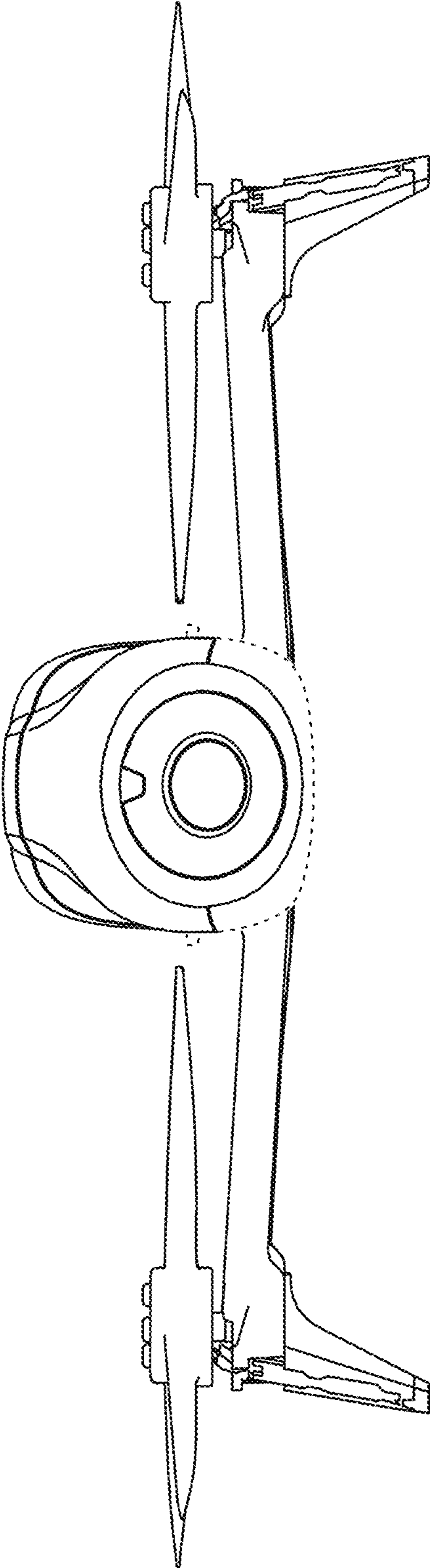


FIG. 2

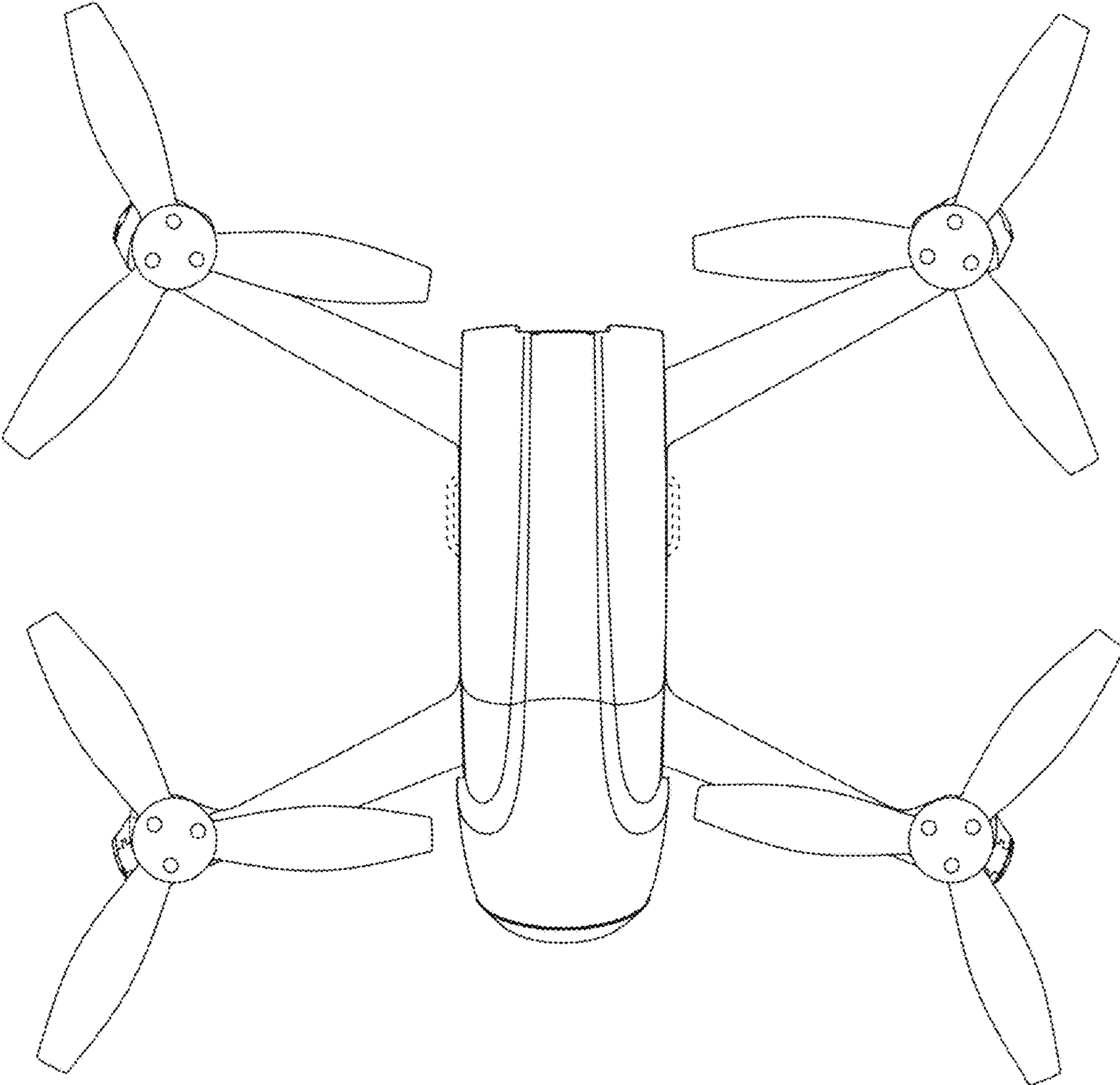


FIG. 3

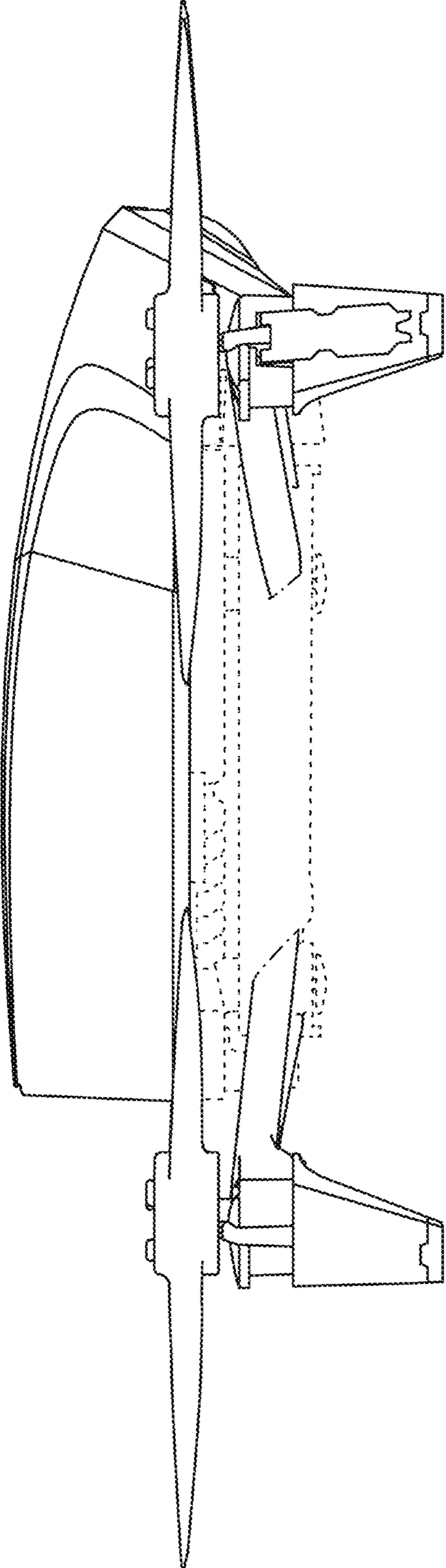


FIG. 4

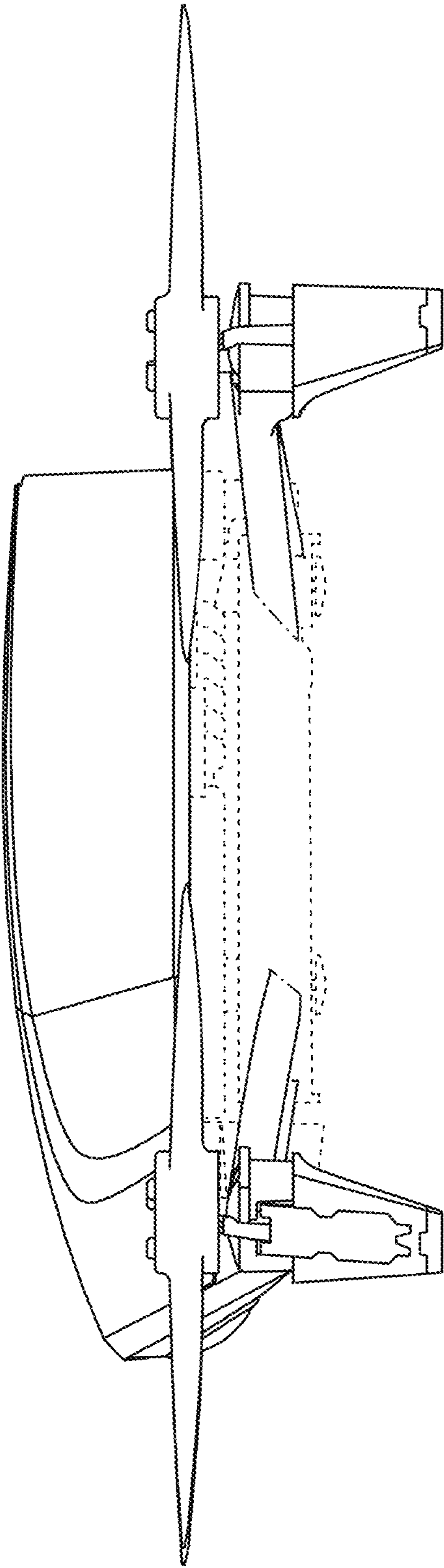


FIG. 5

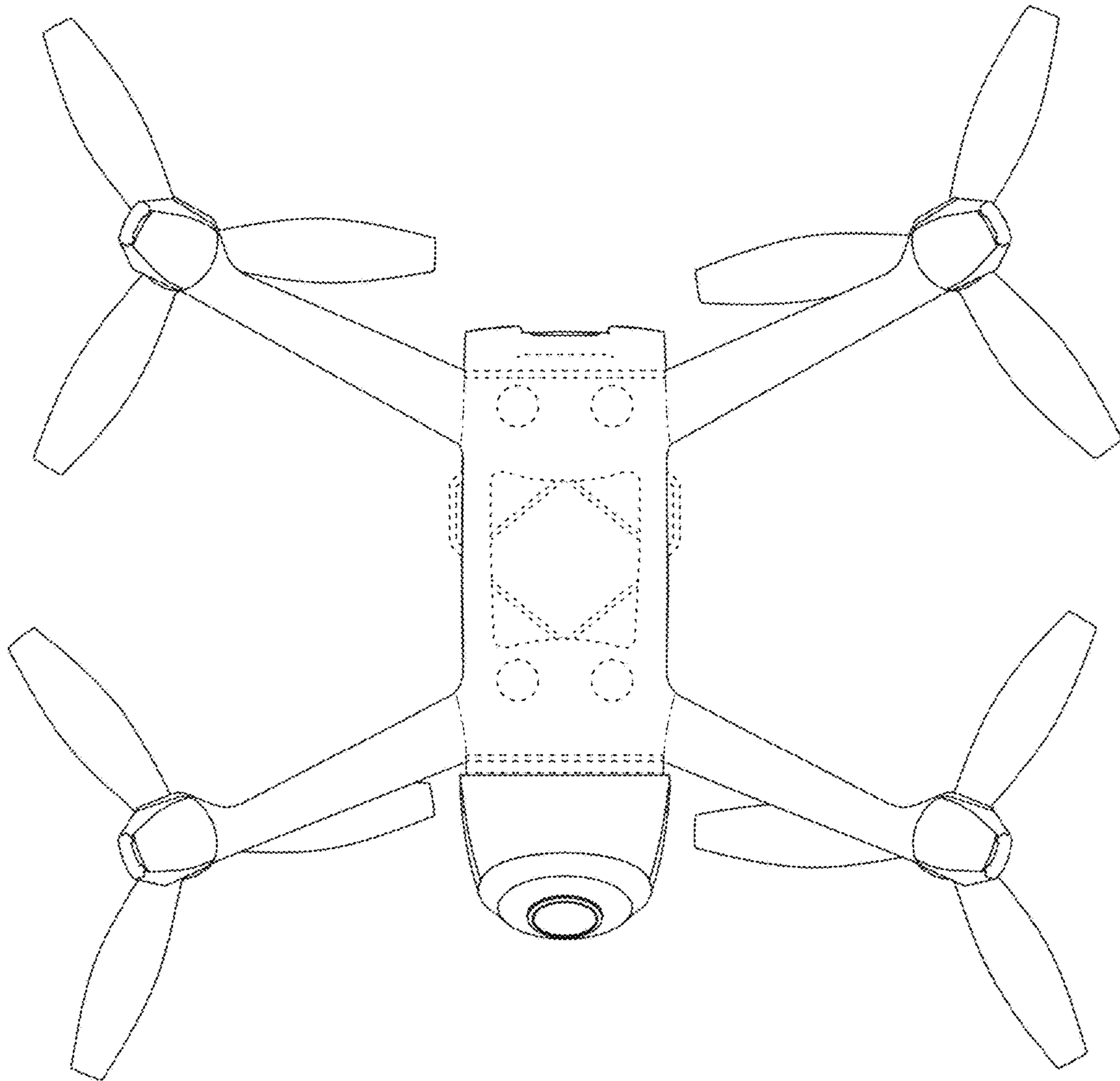


FIG. 6

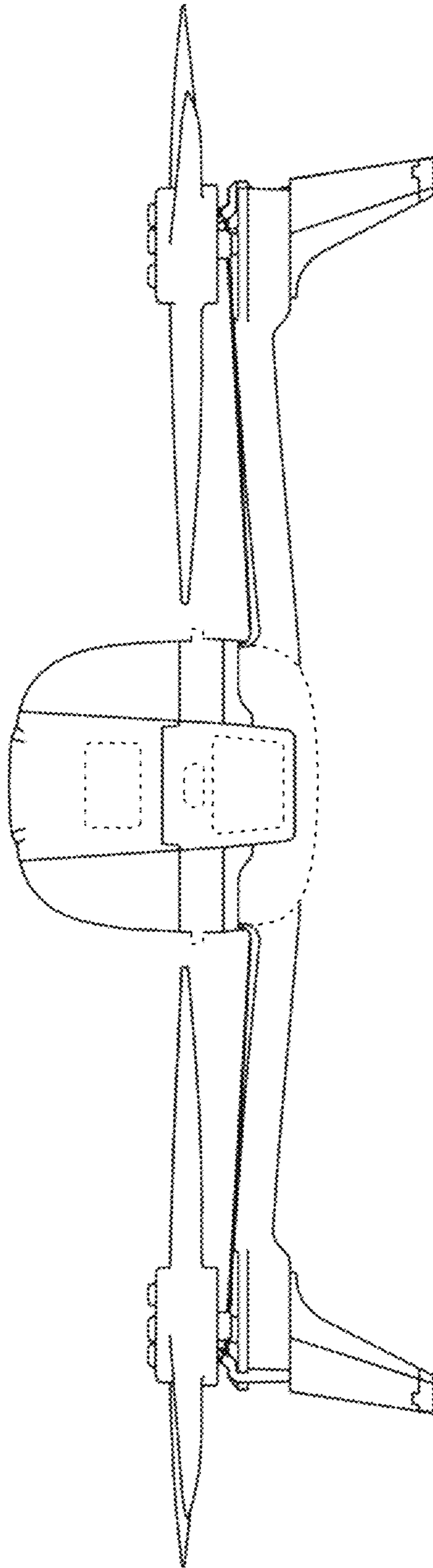


FIG. 7