



US00D819748S

(12) **United States Design Patent**
Luk

(10) **Patent No.:** **US D819,748 S**

(45) **Date of Patent:** **** Jun. 5, 2018**

(54) **CANDY DISPENSING TOY**

(71) Applicant: **Sweet N Fun Ltd.**, TST East (HK)
(72) Inventor: **Maggie Yin Ting Luk**, TST East (HK)
(73) Assignee: **Sweet N Fun Ltd.**, Hong Kong (HK)

(**) Term: **15 Years**

(21) Appl. No.: **29/560,379**

(22) Filed: **Apr. 6, 2016**

(51) **LOC (11) Cl.** **21-01**

(52) **U.S. Cl.**
USPC **D21/398; D7/589; D9/730; D9/519;**
D21/707

(58) **Field of Classification Search**

USPC D21/398, 466, 707, 713, 714, 498, 576,
D21/585, 589, 623, 630, 658, 659;
D30/121, 128, 160; D1/102, 104, 105;
D9/600-681, 682, 686, 688, 689, 690,
D9/715, 730, 733, 503, 504, 519, 414,
D9/417, 424, 42; D7/500, 589, 591, 594,
D7/595, 597, 599, 601, 602, 613, 628,
D7/629, 635, 636, 368, 665, 666, 669,
D7/678, 679, 693, 369, 372, 381, 901;
D19/75; 446/71-76, 324, 325, 396, 431,
446/437, 438, 439, 475, 483, 486-491;
473/569, 571, 575-577, 594, 595, 596;
119/702, 707, 708, 711; 206/528, 531,
206/540, 457, 822; 221/236, 268, 276
CPC A63B 43/00; A63B 43/002; A63B 43/007;
A63B 43/02; A01K 5/0014; A01K
15/025; A63H 33/00; A63H 33/30; A63H
3/003; A63H 3/005; B65D 81/36; B65D
81/365; B65D 83/04; B65D 83/0409;
B65D 83/0454; B65D 83/0481; B65D
2583/04; B65D 2583/0445; B65D
2583/0463; B65D 2583/0472; B65D
2583/0481; B65D 2585/00; B65D
2585/56; B65D 85/60; B65D 47/286

See application file for complete search history.

(56) **References Cited**

U.S. PATENT DOCUMENTS

216,124 A * 6/1879 Adams A63B 69/0079
473/575
1,513,773 A * 11/1924 Thompson A63B 67/10
473/576
1,763,903 A * 6/1930 Perkins A63H 7/04
446/273
1,789,333 A * 1/1931 Da Costa A63B 43/00
119/707
2,086,631 A * 7/1937 Munro A63H 33/00
119/711
RE21,115 E * 6/1939 Winterbauer A63B 41/08
473/605
D163,649 S * 6/1951 Smoot D28/8
2,936,734 A * 5/1960 Chestnut, Jr. A01K 5/0225
119/52.1
2,975,547 A * 3/1961 Greve A63B 67/16
206/216

(Continued)

Primary Examiner — Catherine A Tuttle
(74) *Attorney, Agent, or Firm* — Raymond Sun

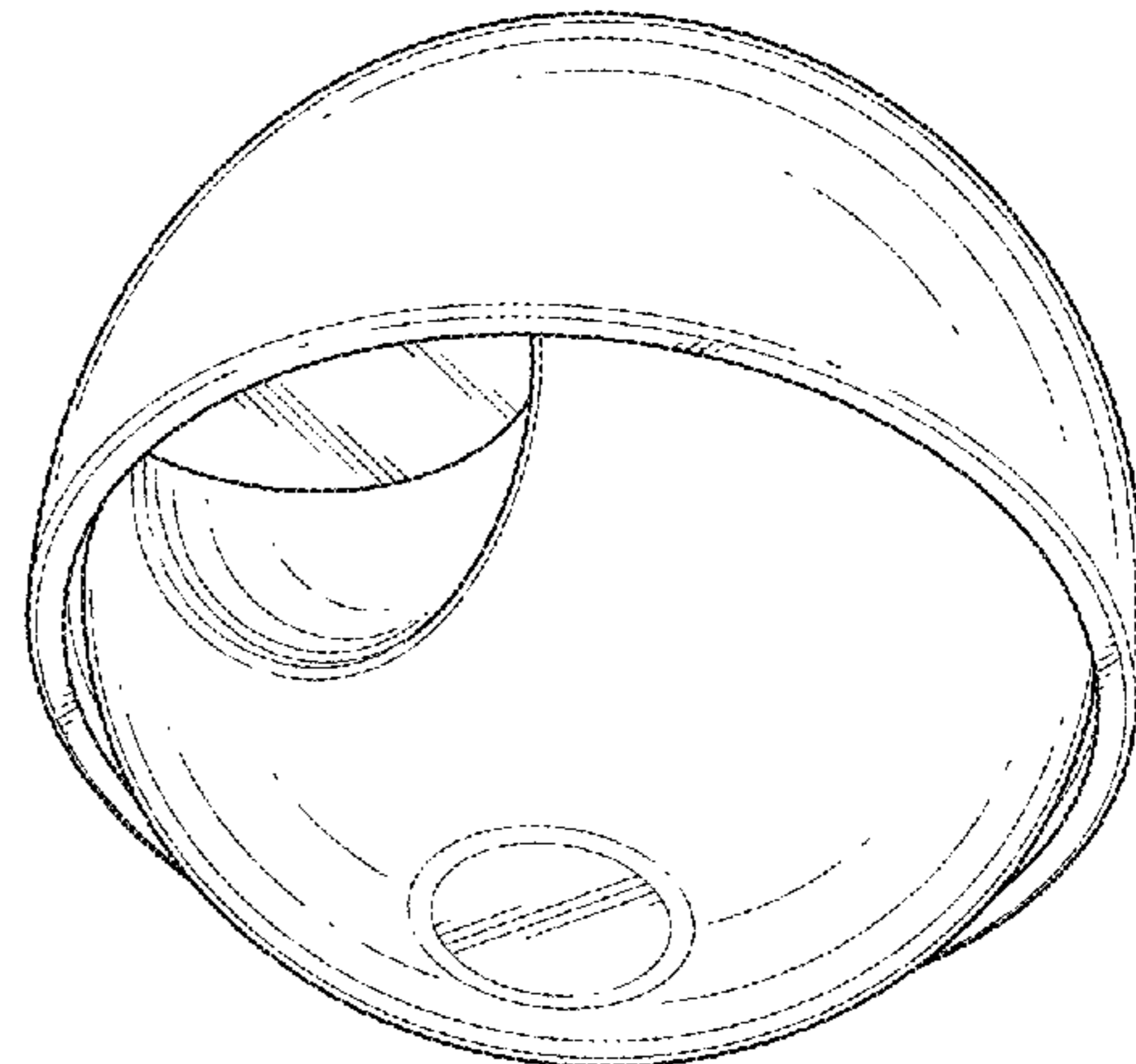
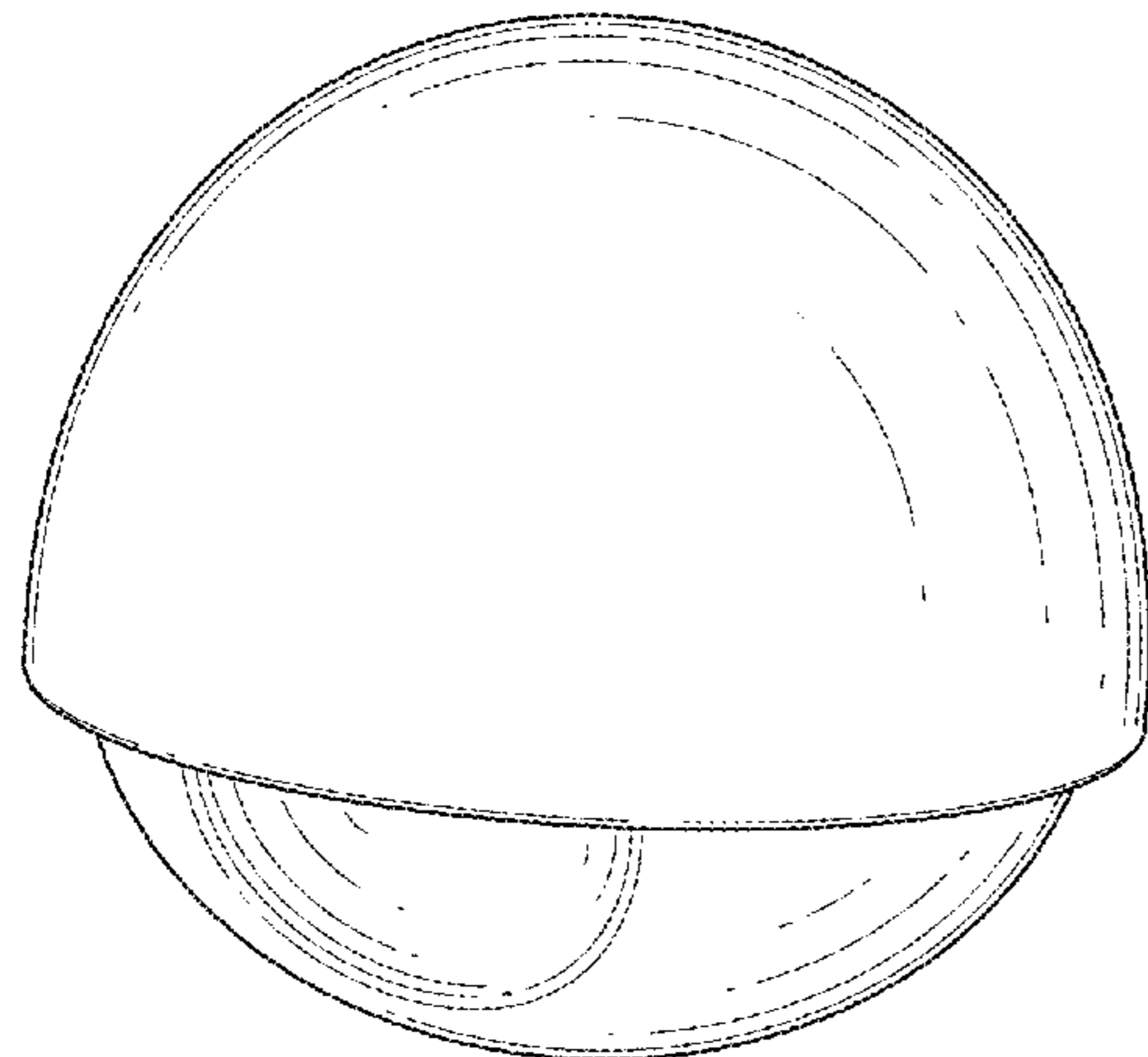
(57) **CLAIM**

The ornamental design for a candy dispensing toy, as shown and described.

DESCRIPTION

FIG. 1 is a top perspective view of a candy dispensing toy showing my new design.
FIG. 2 is a bottom perspective view thereof;
FIG. 3 is a front view thereof;
FIG. 4 is a rear view thereof;
FIG. 5 is a left view thereof;
FIG. 6 is right view thereof;
FIG. 7 is a top view thereof; and,
FIG. 8 is a bottom view thereof.

1 Claim, 4 Drawing Sheets



(56)

References Cited

U.S. PATENT DOCUMENTS

3,099,365	A *	7/1963	Johnson	B65D 83/0409	221/24
D226,773	S *	4/1973	Ehrenreich	446/311	
3,788,279	A *	1/1974	Boehland, Jr.	A01K 39/012	119/52.3
5,356,035	A *	10/1994	Shlopak	B65D 47/265	222/498
6,129,608	A *	10/2000	Prichard	A23G 3/34	221/186
6,167,841	B1 *	1/2001	Ho	A01K 15/025	119/61.54
D564,900	S *	3/2008	Green	D9/504	
7,451,890	B2 *	11/2008	Ivey	B43M 99/009	220/603
D625,056	S *	10/2010	Kelly	D30/160	
D664,400	S *	7/2012	Rothman	D7/589	
D686,673	S *	7/2013	Soriano	D21/398	
8,814,629	B2 *	8/2014	Johnston	A63H 33/003	273/359
9,126,742	B2 *	9/2015	Elliott	B65D 83/0409	
9,688,460	B1 *	6/2017	Yiu	B65D 83/0481	
2004/0094567	A1 *	5/2004	Pollock	B65D 83/0409	221/289
2004/0198159	A1 *	10/2004	Xu	A63H 15/06	446/325
2005/0005873	A1 *	1/2005	Gick	A01K 15/025	119/707
2005/0107192	A1 *	5/2005	Desmarais	A63B 43/04	473/594
2009/0314221	A1 *	12/2009	Wang	A01K 15/025	119/707
2011/0226187	A1 *	9/2011	Bertsch	A01K 5/0114	119/61.55
2015/0128875	A1 *	5/2015	Christianson	A01K 5/0114	119/707
2015/0237830	A1 *	8/2015	Sternal	A01K 15/027	119/702

* cited by examiner

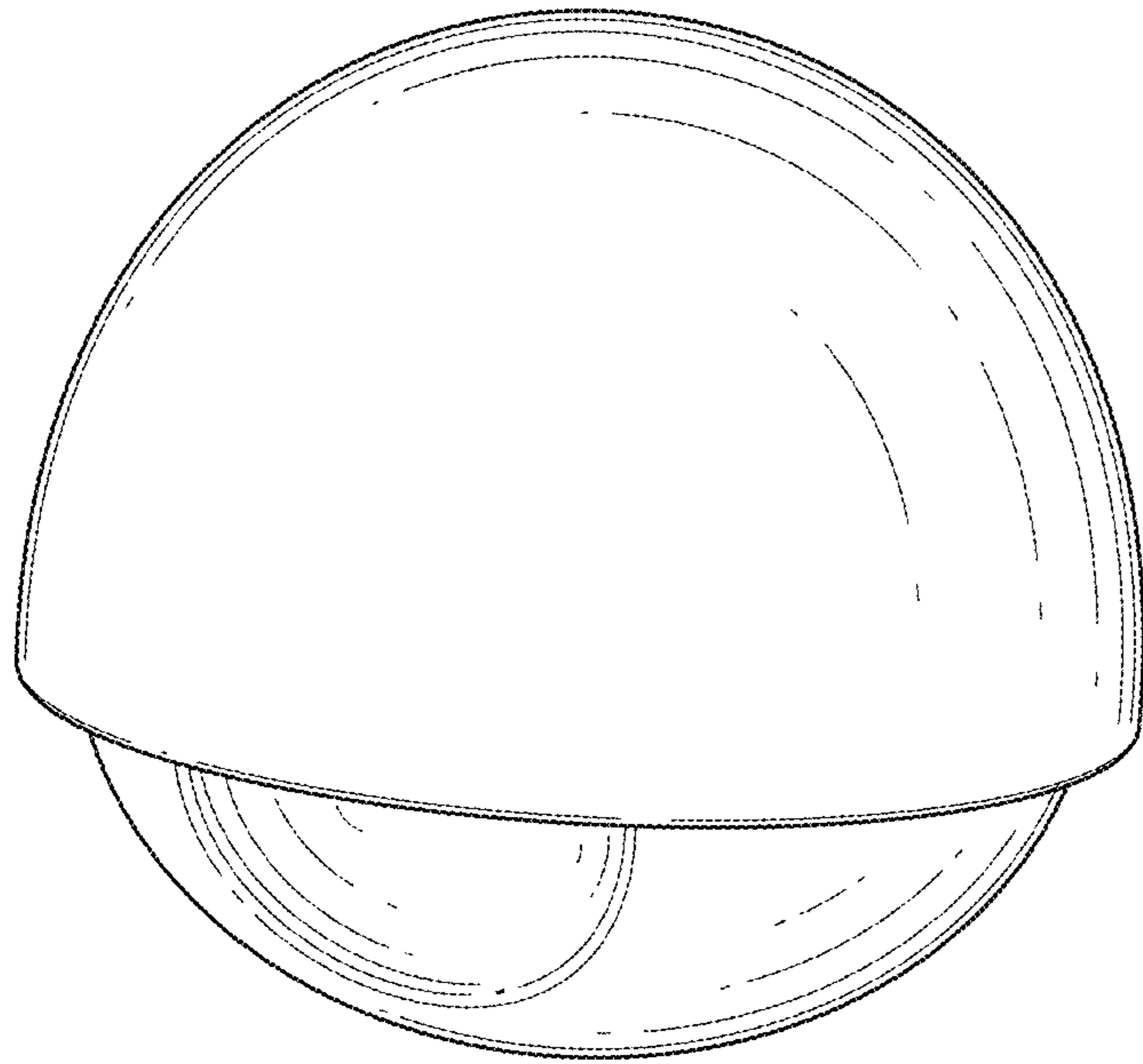


FIG. 1

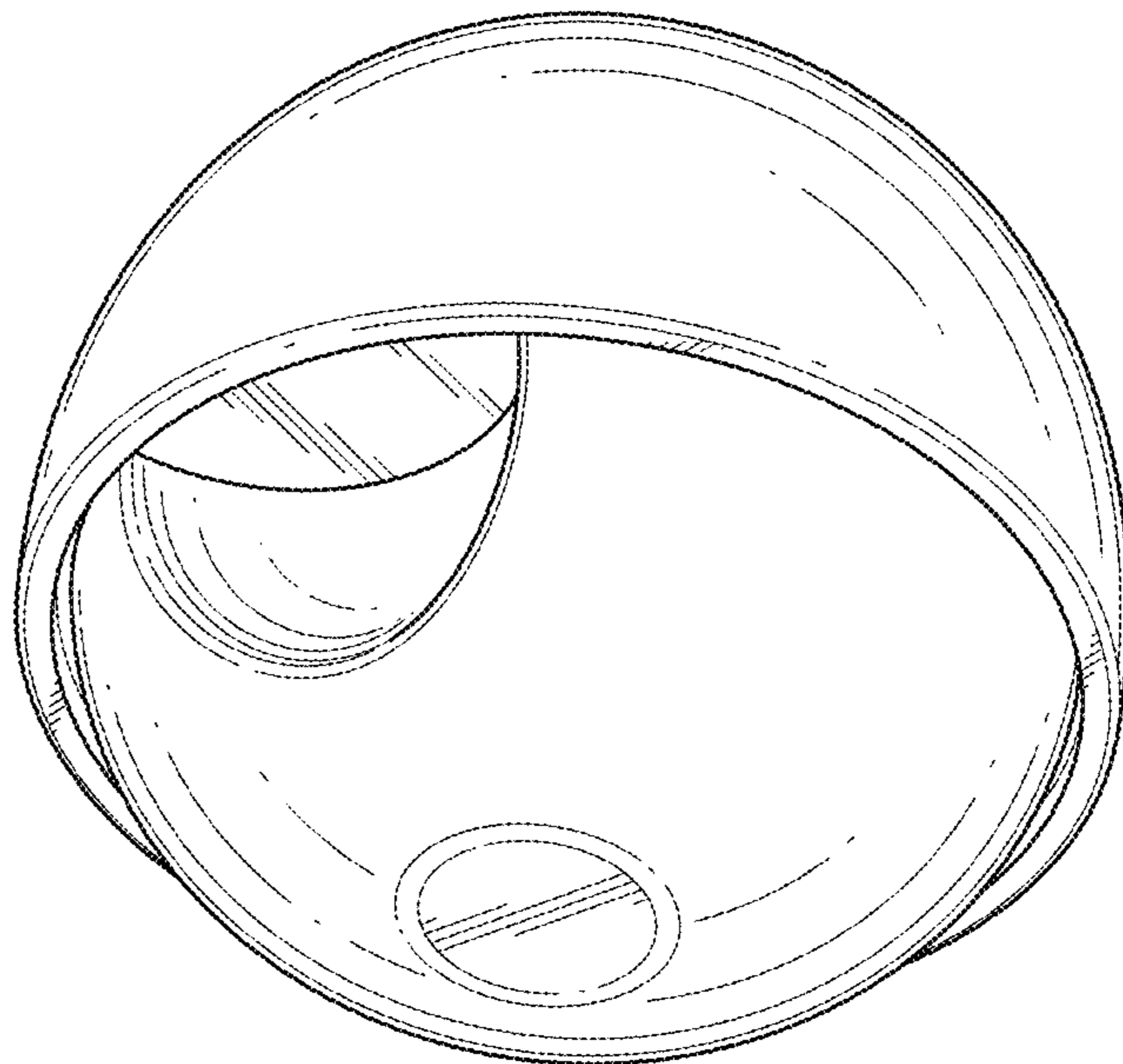


FIG. 2

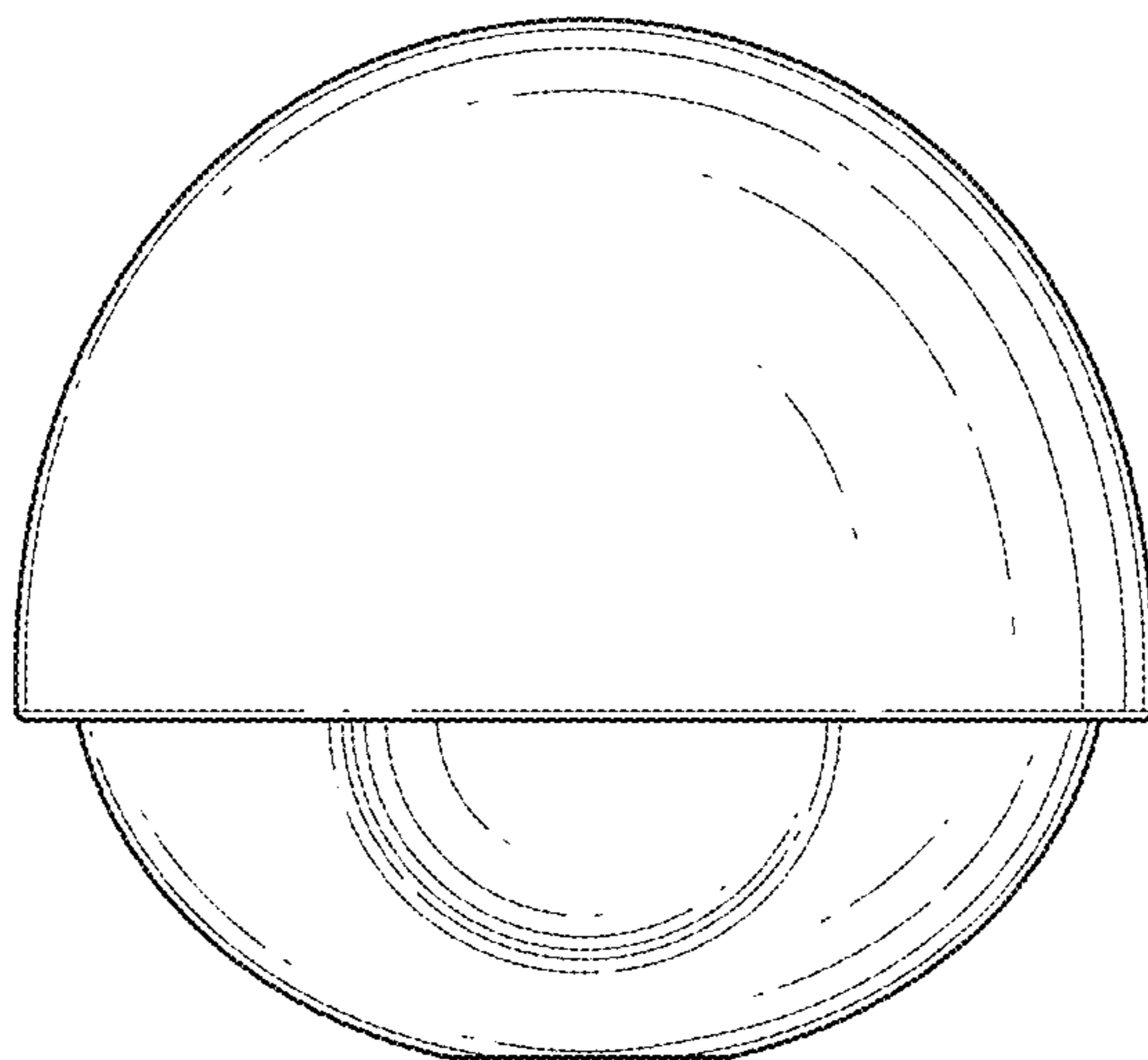


FIG. 3

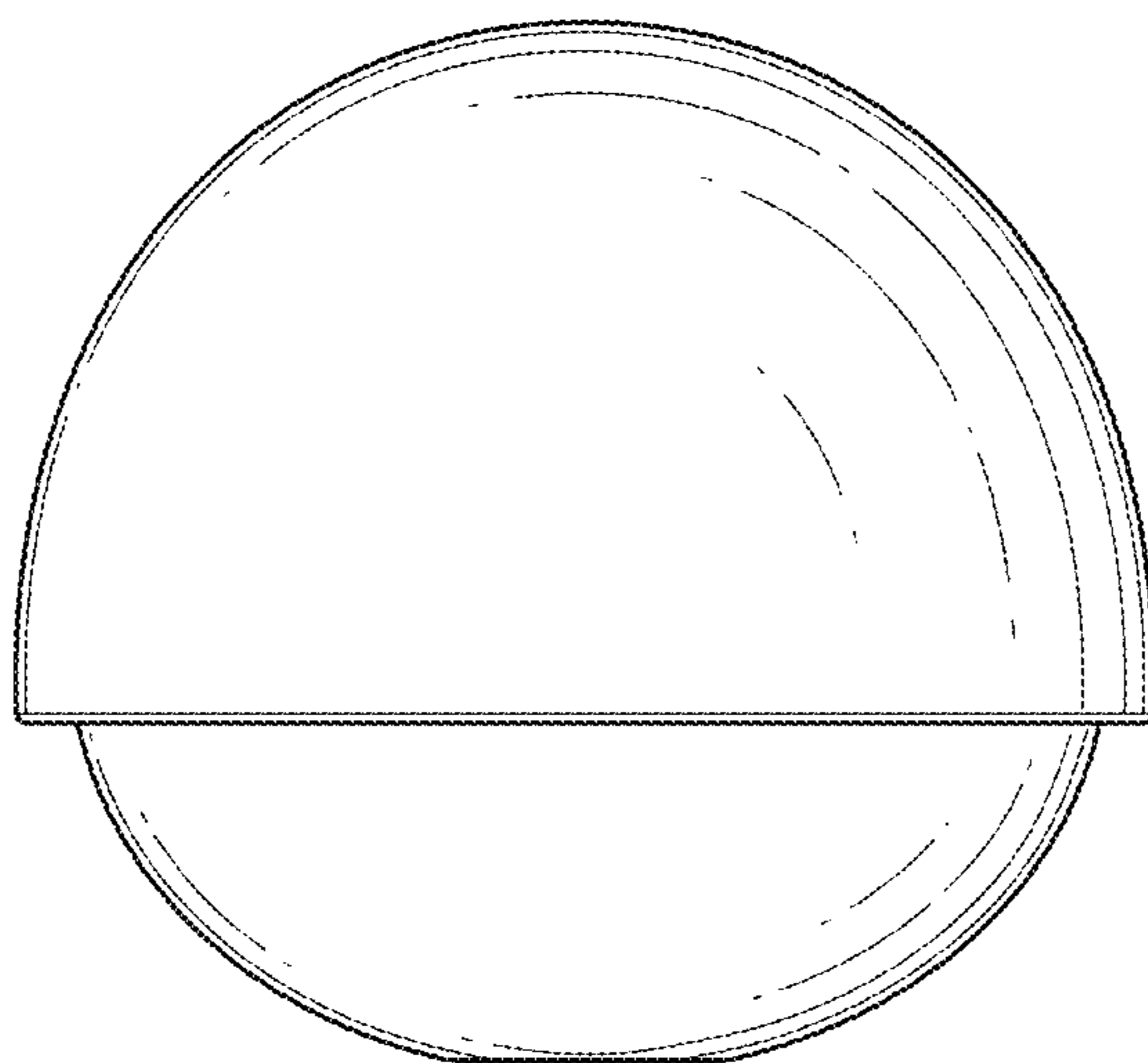


FIG. 4

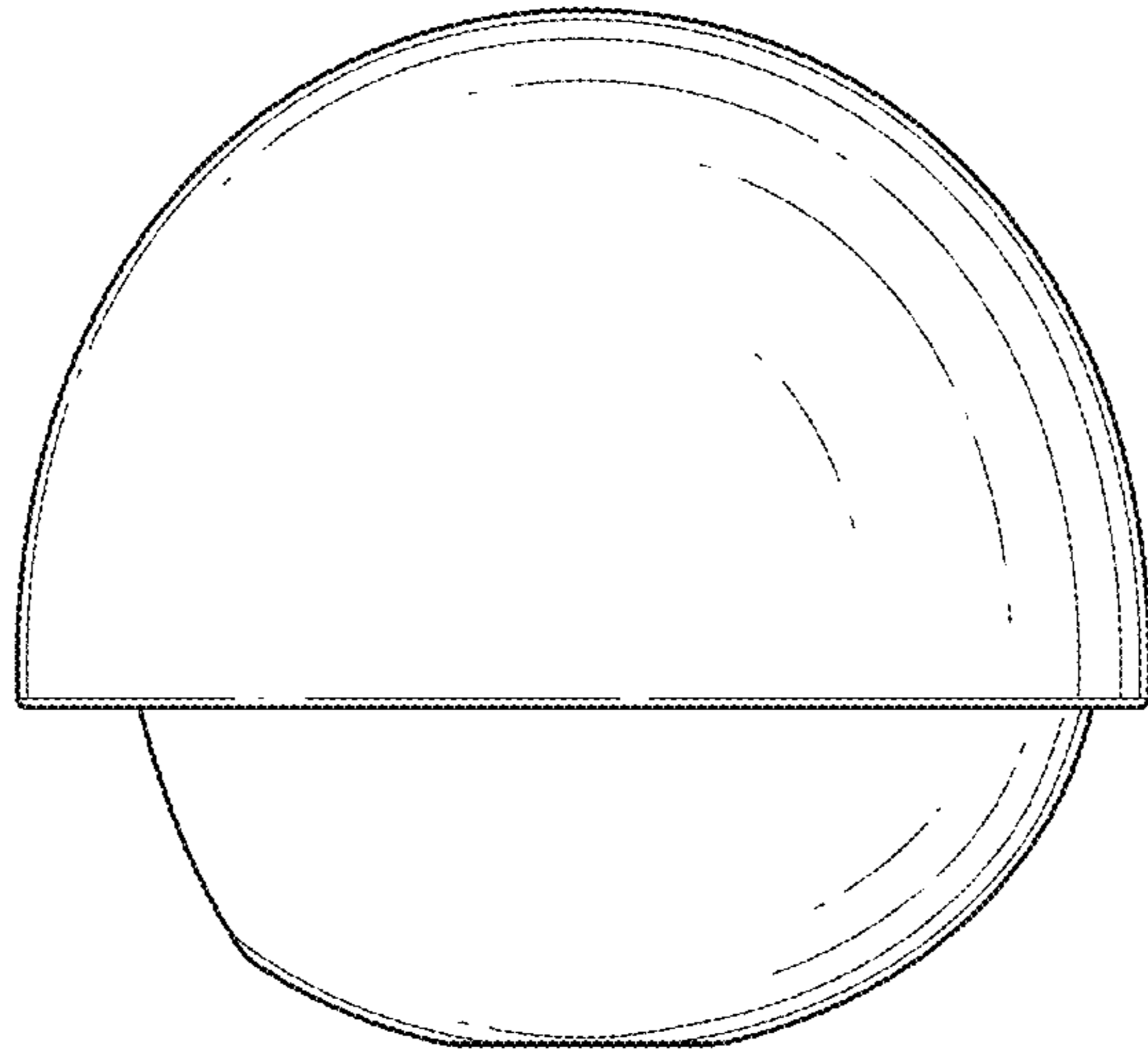


FIG. 5

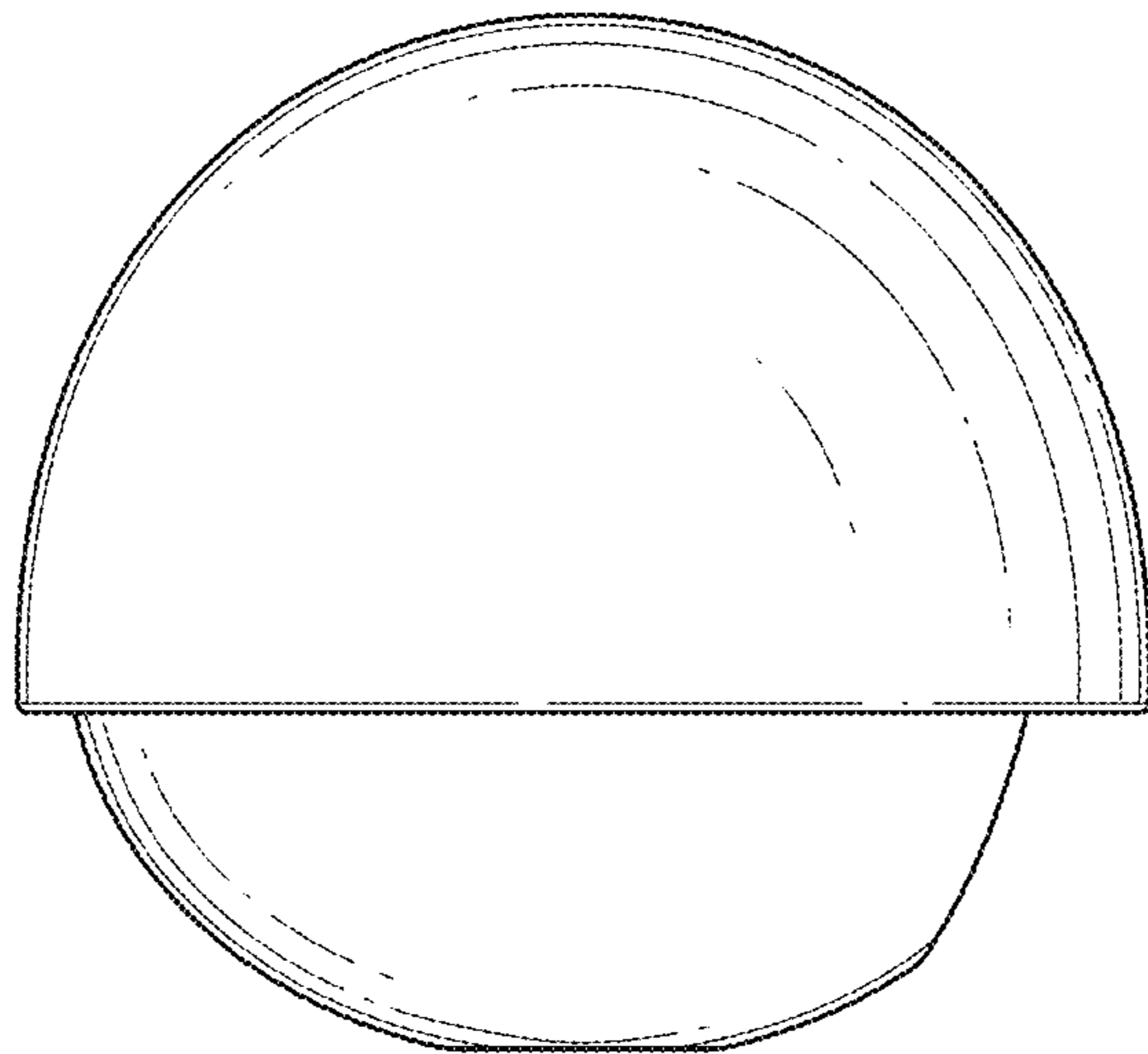


FIG. 6

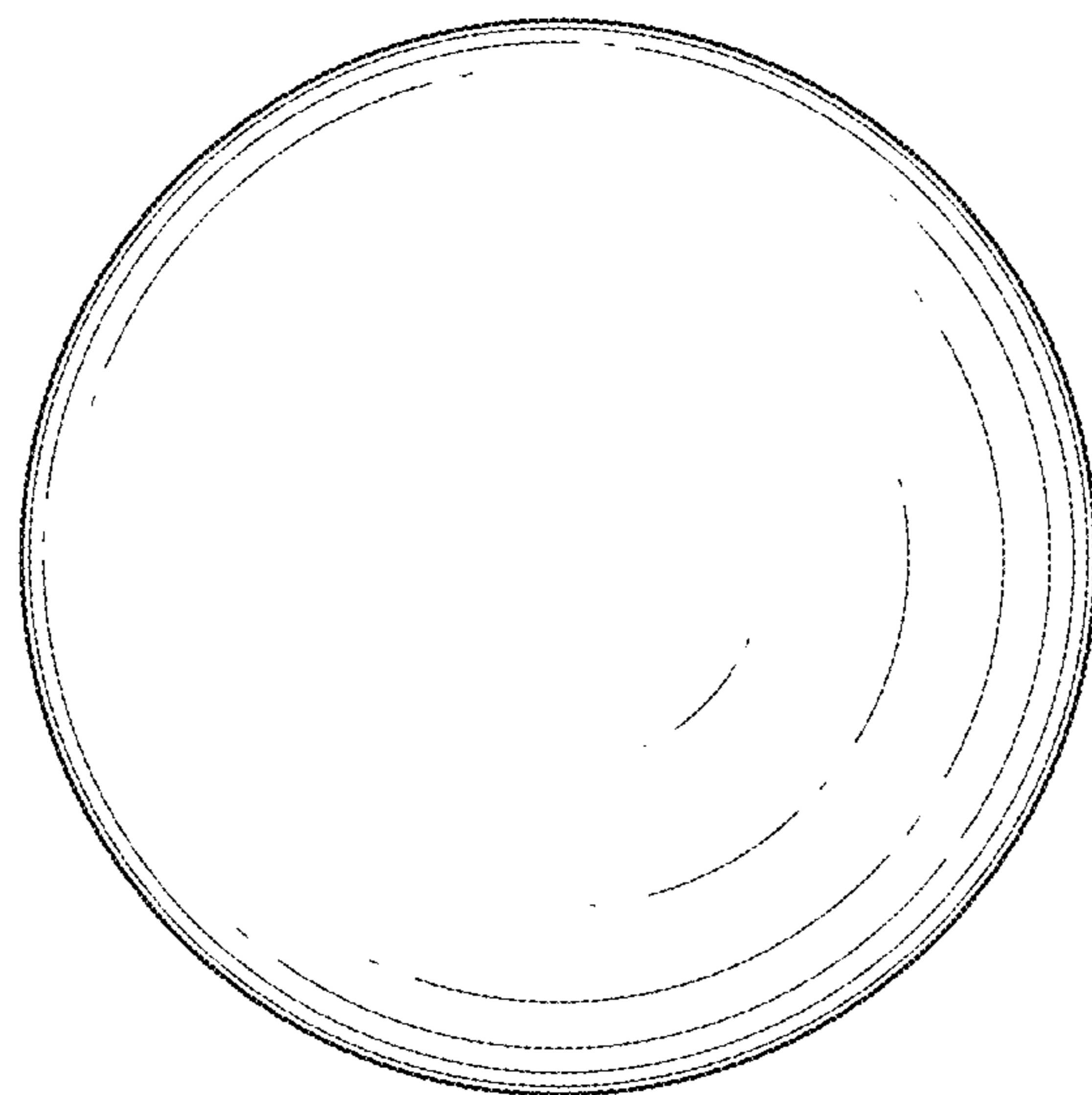


FIG. 7

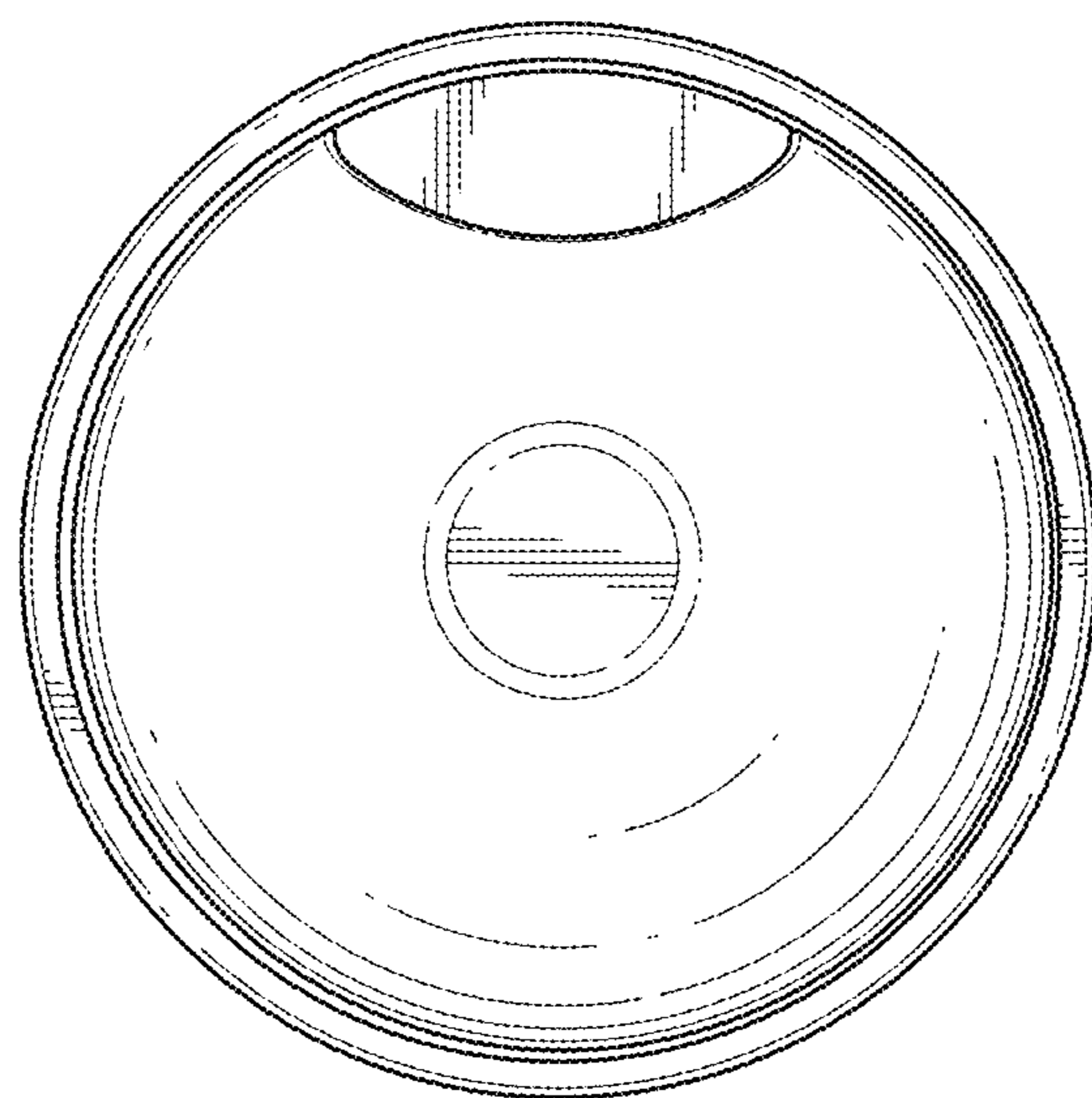


FIG. 8