



US00D819747S

(12) **United States Design Patent** (10) **Patent No.:** **US D819,747 S**
Castro et al. (45) **Date of Patent:** **** Jun. 5, 2018**

(54) **GAMING MACHINE WITH CURVED DISPLAY**

FOREIGN PATENT DOCUMENTS

(71) Applicant: **Bally Gaming, Inc.**, Las Vegas, NV (US)

EP 0 649 671 A1 4/1995
JP 03210172 B2 2/1993
(Continued)

(72) Inventors: **Christian L. Castro**, Chicago, IL (US);
Robert J. Glenn, Chicago, IL (US);
Paul M. Lesley, Blue Island, IL (US)

OTHER PUBLICATIONS

(73) Assignee: **BALLY GAMING, INC.**, Las Vegas, NV (US)

TwinStar J43 Overview by SG Gaming dated Nov. 7, 2016. Found online [Dec. 13, 2017] <http://www.youtube.com/watch?v=WfVHK1z-oDM>.*

(Continued)

(**) Term: **15 Years**

Primary Examiner — Philip S Hyder

(21) Appl. No.: **29/559,629**

Assistant Examiner — Ryan Harvey

(22) Filed: **Mar. 30, 2016**

(74) *Attorney, Agent, or Firm* — Banner & Witcoff, Ltd.

(51) **LOC (11) Cl.** **21-02**

(52) **U.S. Cl.**
USPC **D21/369**

(57) **CLAIM**

(58) **Field of Classification Search**
USPC D21/369, 370, 371, 385, 329, 325, 394;
D14/307, 172, 129, 325, 401, 371, 126,
D14/439, 432, 450, 128, 375; 463/28,
463/13, 11, 16, 20, 25, 31, 46, 23, 30, 17,
463/36, 29, 42, 34, 32, 35, 19, 21, 22;
273/292, 203, 138.2, 143 R, 142 R, 138.1;
D19/60; D16/226; D8/336, 331, 334;
D26/141
CPC G07F 17/32; G07F 17/34; G07F 17/3211;
G07F 17/3244; G07F 17/3267
See application file for complete search history.

We claim the ornamental design for a gaming machine with curved display, as shown and described.

DESCRIPTION

(56) **References Cited**

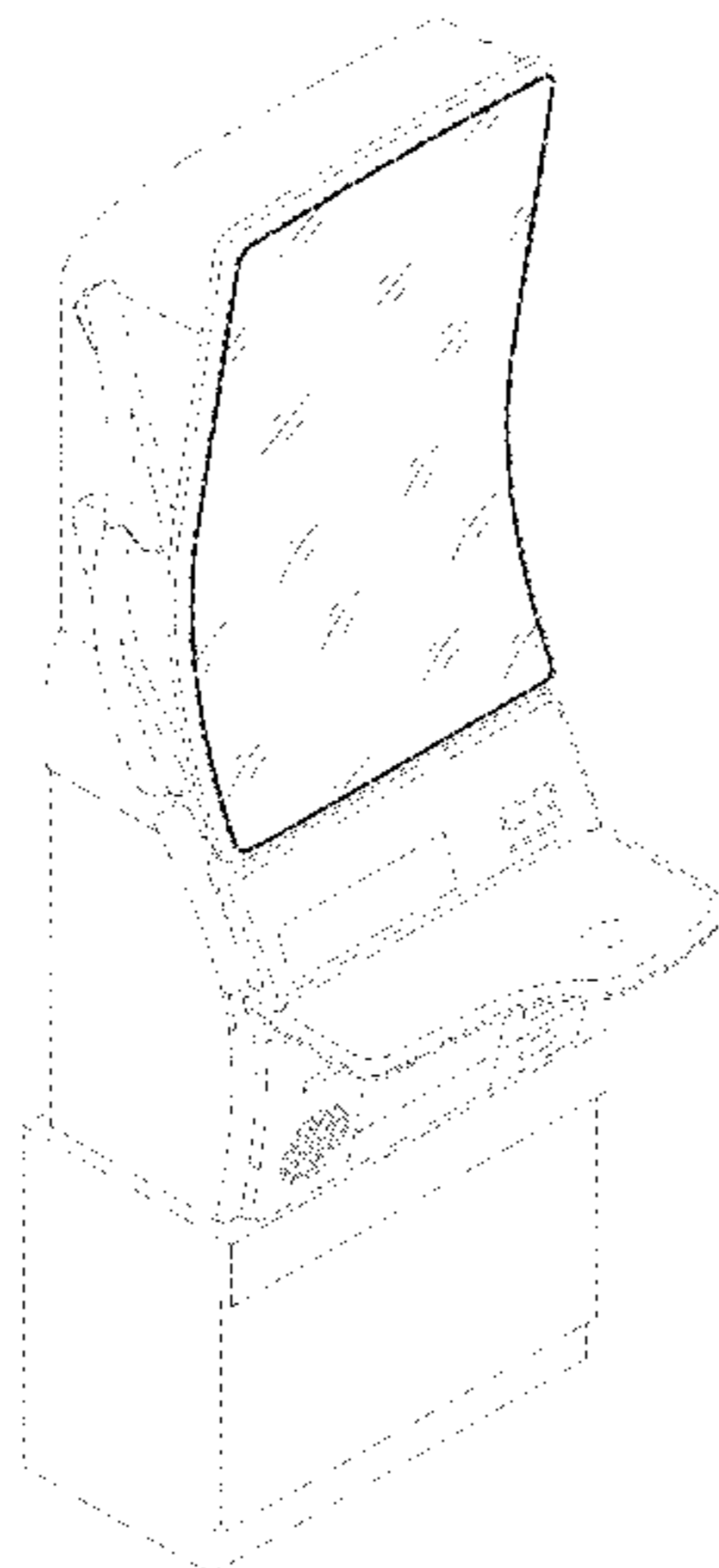
U.S. PATENT DOCUMENTS

2,661,954 A 12/1953 Koci
D236,720 S 9/1975 Baker
D238,379 S 1/1976 Miller
3,943,282 A * 3/1976 Muntz H04N 9/3141
348/783

FIG. 1 is a left isometric view of a gaming machine with curved display.
FIG. 2 is a right isometric view of the gaming machine with curved display shown in FIG. 1.
FIG. 3 is a front view of the gaming machine with curved display shown in FIG. 1; and,
FIG. 4 is a right side view of the gaming machine with curved display shown in FIG. 1, the left side view being a mirror image thereof.
The broken lines are included for the purpose of illustrating portions of the gaming machine with curved display and form no part of the claimed design. The oblique line shading on the curved display depicts a transparent, translucent, highly polished or reflective surface.

4,046,419 A 9/1977 Schmitt
(Continued)

1 Claim, 3 Drawing Sheets



(56)

References Cited

U.S. PATENT DOCUMENTS

D264,485 S	5/1982	Kitchen	D395,463 S	6/1998	Scott
4,372,557 A	2/1983	Del Principe	5,762,617 A	6/1998	Infanti
4,373,725 A	2/1983	Ritchie	5,791,731 A	8/1998	Infanti
D275,772 S	10/1984	Akopian	5,806,851 A	9/1998	Gomez
D280,835 S	10/1985	Berge	5,820,460 A	10/1998	Fulton
D280,836 S	10/1985	Ludzia	5,833,236 A	11/1998	Oursler
4,606,545 A	8/1986	Ritchie	D405,473 S	2/1999	Tikhonski
4,705,274 A	11/1987	Lubeck	D407,759 S	4/1999	Isetani
4,840,343 A	6/1989	Gasser	D408,366 S	4/1999	Popadiuk
4,861,037 A	8/1989	Oursler	5,890,715 A	4/1999	Gomez
4,960,117 A	10/1990	Moncrief	5,899,454 A	5/1999	Eddy
4,981,298 A	1/1991	Lawlor	5,924,690 A	7/1999	Kopera
D315,110 S	3/1991	Slater	5,934,672 A	8/1999	Sines
5,015,189 A	5/1991	Wenzinger	5,938,195 A	8/1999	Anghelo
D318,660 S	7/1991	Weber	5,944,309 A	8/1999	Popadiuk
5,074,558 A	12/1991	Bleich	D417,145 S	11/1999	McLaughlin
5,083,738 A	1/1992	Infanti	5,984,782 A	11/1999	Inoue
5,091,677 A	2/1992	Bleich	6,000,697 A	12/1999	Popadiuk
5,102,192 A	4/1992	Barile	D419,201 S	1/2000	De Haas
5,110,120 A	5/1992	Smolucha	D419,606 S	1/2000	Toriyama
5,114,112 A	5/1992	Infanti	6,036,188 A	3/2000	Gomez
5,120,058 A	6/1992	Trudeau	6,047,962 A	4/2000	Popadiuk
5,123,647 A	6/1992	Lawlor	6,047,963 A	4/2000	Pierce
5,143,055 A	9/1992	Eakin	D424,122 S	5/2000	Dickenson
5,149,094 A	9/1992	Tastad	6,071,190 A	6/2000	Weiss
D333,164 S	2/1993	Kraft	D428,062 S	7/2000	Hayashi
5,193,807 A	3/1993	Schilling	6,089,663 A	7/2000	Hill
5,195,746 A	3/1993	Boyd	6,102,394 A	8/2000	Wurz
D335,150 S	4/1993	Biagi	6,113,097 A	9/2000	Krutsch
5,226,653 A	7/1993	Bil	6,117,010 A	9/2000	Cantebury
5,232,191 A	8/1993	Infanti	6,120,021 A	9/2000	Piotrowski
5,290,034 A	3/1994	Hineman	6,129,353 A	10/2000	DeMar
5,297,793 A	3/1994	DeMar	6,129,355 A	10/2000	Hahn
5,316,303 A	5/1994	Trudeau	6,135,449 A	10/2000	Cornell
5,322,283 A	6/1994	Ritchie	6,135,562 A	10/2000	Infanti
5,326,104 A	7/1994	Pease	6,149,153 A	11/2000	Sheats, Jr.
5,350,174 A	9/1994	Ritchie	6,155,565 A	12/2000	Gomez
D351,869 S	10/1994	Rothschild	6,155,925 A	12/2000	Giobbi
5,351,954 A	10/1994	Oursler	6,158,737 A	12/2000	Cornell
5,357,104 A	10/1994	Bleich	6,159,098 A	12/2000	Slomiany
5,358,241 A	10/1994	Anghelo	6,164,644 A	12/2000	Cornell
5,358,242 A	10/1994	Trudeau	6,173,955 B1	1/2001	Perrie
5,358,243 A	10/1994	Eddy	6,199,861 B1	3/2001	Hume
D352,738 S	11/1994	Anghelo	D439,931 S	4/2001	Yamaguchi
5,383,663 A	1/1995	Anghelo	6,210,279 B1	4/2001	Dickinson
5,405,144 A	4/1995	Ritchie	6,224,482 B1	5/2001	Bennett
5,409,296 A	4/1995	Barlie	6,227,614 B1	5/2001	Rubin
5,411,257 A	5/1995	Fulton	6,227,970 B1	5/2001	Shimizu
5,415,402 A	5/1995	Morrison	D443,313 S	6/2001	Brettschneider
5,415,403 A	5/1995	Ritchie	D446,252 S	8/2001	Yamaguchi
5,417,423 A	5/1995	Oursler	6,283,546 B1	9/2001	Hill
5,417,425 A	5/1995	Blumberg	6,290,229 B1	9/2001	Perez
5,437,453 A	8/1995	Hineman	D450,094 S	11/2001	Hedrick
5,465,963 A	11/1995	Patla, Sr.	6,334,612 B1	1/2002	Wurz
5,472,197 A	12/1995	Gwiasda	6,354,660 B1	3/2002	Friedrich
5,494,286 A	2/1996	DeMar	D459,402 S	6/2002	Wurz
5,507,488 A	4/1996	Eddy	6,422,670 B1	7/2002	Hedrick
5,511,783 A	4/1996	Popadiuk	6,422,941 B1	7/2002	Thorner
5,516,103 A	5/1996	Lawlor	6,439,993 B1	8/2002	O'Halloran
5,522,641 A	6/1996	Infanti	D463,504 S	9/2002	Stephen
5,524,887 A	6/1996	Trudeau	D464,377 S	10/2002	Wurz
5,533,726 A	7/1996	Nordman	D465,813 S	11/2002	Randall
5,542,748 A	8/1996	Barlie	D466,160 S	11/2002	Hirato
D376,391 S	12/1996	Okumura	D467,977 S	12/2002	Gatto
5,580,052 A	12/1996	Popadiuk	D468,364 S	1/2003	Beadell
5,632,482 A	5/1997	Anghelo	6,530,842 B1	3/2003	Wells
D380,014 S	6/1997	Yang	6,530,872 B2	3/2003	Freshland
5,655,965 A	8/1997	Takemoto	6,572,187 B2	6/2003	Laufer
5,664,777 A	9/1997	Nordman	6,589,114 B2	7/2003	Rose
5,669,818 A	9/1997	Thorner	6,609,972 B2	8/2003	Seelig
5,678,886 A	10/1997	Infanti	6,616,142 B2	9/2003	Adams
5,697,612 A	12/1997	Piotrowski	6,620,047 B1	9/2003	Alcorn
5,704,835 A	1/1998	Dietz, II	D481,078 S	10/2003	Stephan
5,707,059 A	1/1998	Sullivan	6,646,695 B1	11/2003	Gauselmann
5,720,480 A	2/1998	Lawlor	6,652,378 B2	11/2003	Cannon
			D483,075 S	12/2003	Kang
			D484,548 S	12/2003	Franco Muñoz
			D485,583 S	1/2004	Porto
			6,715,756 B2	4/2004	Inoue

(56)

References Cited

U.S. PATENT DOCUMENTS

6,729,618 B1	5/2004	Koenig	
D492,363 S	6/2004	Seelig	
D492,364 S	6/2004	Seelig	
D492,365 S	6/2004	Muñoz	
D492,676 S	7/2004	Monson	
D493,843 S	8/2004	Jackson	
D493,846 S	8/2004	Seelig	
D495,754 S	9/2004	Wurz	
D495,755 S	9/2004	Wurz	
D498,267 S	11/2004	Crouch	
D500,098 S	12/2004	Doi	
6,880,825 B2	4/2005	Seelig	
D505,162 S	5/2005	Bristol	
D508,268 S	8/2005	Hanchar	
D508,269 S	8/2005	Wichinsky	
D508,719 S	8/2005	de Haas	
D508,961 S	8/2005	Gatto	
D509,254 S	9/2005	Rasmussen	
D509,255 S	9/2005	Bristol	
D512,105 S	11/2005	Chitrapongse	
D513,511 S	1/2006	Decombe	
D515,144 S	2/2006	Boyd	
6,997,810 B2	2/2006	Cole	
D520,504 S	5/2006	Martin	
7,063,615 B2	6/2006	Alcorn	
7,108,237 B2	9/2006	Gauselmann	
D531,677 S	11/2006	Mallory	
7,184,277 B2	2/2007	Beirne	
D537,885 S	3/2007	Gadda	
D539,854 S	4/2007	Luciano	
D540,398 S	4/2007	Gadda	
D546,893 S	7/2007	Yamashita	
7,247,098 B1	7/2007	Bradford	
D548,801 S	8/2007	Groswirt	
D549,785 S	8/2007	Luciano, Jr.	
7,267,612 B2	9/2007	Alcorn	
D554,710 S	11/2007	Malone	
D556,765 S	12/2007	Evans	
D557,748 S	12/2007	Jumper	
D559,328 S	1/2008	Rasmussen	
D559,917 S	1/2008	Cole	
D560,724 S *	1/2008	Johnson	D21/329
D560,725 S *	1/2008	Johnson	D21/329
D563,326 S	3/2008	Patel	
D563,481 S	3/2008	Looks	
D564,600 S	3/2008	Greenberg	
D564,601 S	3/2008	Strahinic	
D566,197 S	4/2008	Greenberg	
D569,863 S	5/2008	Feldstein	
D572,314 S	7/2008	Vallejo	
D573,417 S *	7/2008	Osbourn	D7/641
D578,168 S	10/2008	Looks	
D581,983 S	12/2008	Bergström	
RE40,625 E	1/2009	Wurz	
7,479,066 B2	1/2009	Emori	
D587,272 S	2/2009	Morrow	
D587,319 S	2/2009	Moises Deiab	
RE40,671 E	3/2009	Wurz	
7,503,849 B2	3/2009	Hornik	
D590,025 S	4/2009	Fiore	
D594,068 S	6/2009	Hsu	
D596,678 S	7/2009	Myers	
D599,365 S	9/2009	Brown	
D599,858 S *	9/2009	Lesley	D21/370
D599,859 S	9/2009	Lesley	
D599,860 S	9/2009	Lesley	
D601,638 S	10/2009	Palmisano	
D604,368 S	11/2009	Lesley	
7,628,693 B2	12/2009	Thomas	
7,666,085 B2	2/2010	Vorias	
7,686,689 B2	3/2010	Thomas	
D613,802 S	4/2010	Meyers	
D615,598 S	5/2010	McComb	
7,713,119 B2	5/2010	Pacey	
D622,780 S	8/2010	Lesley	
D622,781 S	8/2010	Lesley	
D622,782 S	8/2010	Lesley	
D626,182 S	10/2010	Cole	
D626,183 S	10/2010	Cole	
7,811,167 B2	10/2010	Giobbi	
D631,060 S	1/2011	Flik	
D631,100 S	1/2011	Palmisano	
D633,950 S	3/2011	Terpstra	
D637,238 S	5/2011	O'Keene	
D637,652 S	5/2011	Tahara	
7,938,728 B2	5/2011	Vetter	
7,955,176 B2	6/2011	Tastad	
D641,047 S	7/2011	Tahara	
7,976,393 B2	7/2011	Haga	
7,985,139 B2	7/2011	Lind	
8,002,424 B2	8/2011	Hwang	
8,002,626 B2	8/2011	Englman	
D646,336 S *	10/2011	Kelly	D21/329
D646,337 S *	10/2011	Kelly	D21/329
D646,691 S	10/2011	Thai	
D649,605 S	11/2011	Terpstra	
D651,608 S	1/2012	Allen	
8,152,623 B2	4/2012	Fiden	
8,162,740 B2	4/2012	Aoki	
8,216,061 B2	7/2012	Pacey	
8,267,764 B1	9/2012	Aoki	
D669,076 S	10/2012	Haller	
8,292,451 B2	10/2012	Hwang	
8,303,420 B2	11/2012	Chudek	
8,305,743 B2	11/2012	Wu	
8,323,114 B2	12/2012	Burak	
D673,620 S	1/2013	Johnson	
8,353,755 B2	1/2013	Vann	
8,371,920 B2	2/2013	Gomez	
8,371,927 B2	2/2013	Englman	
8,371,928 B2	2/2013	Englman	
8,376,832 B2	2/2013	O'Connor	
D678,955 S	3/2013	Lesley	
D678,956 S	3/2013	Lesley	
D678,957 S	3/2013	Cesaroni	
D678,958 S	3/2013	Cesaroni	
D681,130 S *	4/2013	Lesley	D21/385
8,430,756 B2	4/2013	McComb	
D682,948 S *	5/2013	Cesaroni	D21/385
D685,033 S *	6/2013	Wudtke	D21/370
D691,665 S	10/2013	Chudek	
D691,666 S *	10/2013	Lesley	D21/370
D693,343 S	11/2013	Haller	
D697,558 S	1/2014	Myers	
D704,273 S	5/2014	Chudek	
D704,275 S *	5/2014	Lesley	D21/370
D706,741 S *	6/2014	Myers	D14/172
D707,646 S *	6/2014	Kim	D14/138 G
D712,975 S *	9/2014	Lesley	D21/369
D713,811 S *	9/2014	Isaacs	D14/138 AA
D714,269 S *	9/2014	Lee	D14/248
D714,270 S *	9/2014	Lee	D14/248
D714,271 S *	9/2014	Lee	D14/248
D714,875 S	10/2014	Wudtke	
D715,364 S	10/2014	Wudtke	
D716,246 S *	10/2014	Yun	D14/138 R
D719,615 S *	12/2014	Inoue	D21/370
D719,616 S *	12/2014	Inoue	D21/370
8,982,545 B2	3/2015	Kim	
D726,140 S *	4/2015	Park	D14/138 R
D730,993 S	6/2015	Castro	
D733,088 S *	6/2015	Garneau	D14/172
D736,751 S *	8/2015	Lee	D14/248
D736,752 S *	8/2015	Lee	D14/248
D740,888 S *	10/2015	DePalma	D21/370
D742,974 S *	11/2015	Lesley	D21/369
D742,975 S *	11/2015	Myers	D21/370
D744,579 S *	12/2015	Cope	D16/241
D747,718 S *	1/2016	Drabant	D14/371
D760,846 S	7/2016	Castro	
D762,613 S *	8/2016	Garneau	D14/172
RE46,169 E *	10/2016	Kelly	G07F 17/34 D21/329
D770,406 S *	11/2016	Fleming, Jr.	D14/125

(56)

References Cited

U.S. PATENT DOCUMENTS

D786,242	S *	5/2017	Ho	D14/127
2002/0041069	A1	4/2002	Steelman		
2003/0122973	A1	7/2003	Huang		
2004/0018877	A1	1/2004	Tastad		
2004/0029631	A1	2/2004	Duhamel		
2004/0053662	A1	3/2004	Pacey		
2005/0014547	A1	1/2005	Gomez		
2006/0009284	A1	1/2006	Schwartz		
2006/0034042	A1	2/2006	Hisano		
2006/0079316	A1	4/2006	Flemming		
2006/0131810	A1	6/2006	Nicely		
2006/0183553	A1	8/2006	Kiriyama		
2006/0199638	A1	9/2006	Walker		
2006/0281559	A1	12/2006	Luciano		
2006/0287111	A1	12/2006	Mitchell		
2008/0039213	A1	2/2008	Cornell		
2008/0051202	A1	2/2008	Lube		
2009/0174996	A1	7/2009	Park		
2010/0053231	A1	3/2010	Park		
2012/0122569	A1	5/2012	Kowolik		
2012/0168058	A1	7/2012	Kim		
2013/0180653	A1	7/2013	Kim		
2013/0278875	A1	10/2013	Kim		
2013/0321373	A1 *	12/2013	Yoshizumi	G09G 5/00 345/211
2014/0055696	A1	2/2014	Lee		
2014/0092356	A1	4/2014	Ahn		
2014/0176856	A1	6/2014	Lee		
2014/0226111	A1	8/2014	Kim		
2014/0226112	A1	8/2014	Kim		
2014/0354938	A1	12/2014	Kim		
2014/0368782	A1	12/2014	Kim		
2014/0375936	A1	12/2014	Park		
2015/0000823	A1	1/2015	Kim		
2015/0036073	A1	2/2015	Im		
2015/0116621	A1	4/2015	Park		
2015/0116625	A1	4/2015	Hwang		
2015/0301390	A1	10/2015	Kim		

FOREIGN PATENT DOCUMENTS

KR	10-1113734	2/2012
KR	10-2012-0051630	5/2012
KR	10-1268471	6/2013
KR	10-1278904	6/2013
KR	10-1336677	12/2013
KR	10-1381609	4/2014
KR	10-1381610	4/2014
KR	10-2015-0013987	2/2015
KR	10-1539221	7/2015
TW	200949775	12/2009

OTHER PUBLICATIONS

Photonics industry and Technology Development Association (PIDA); "E-Paper Shows Potential at Creating a Paperless Haven"; OptoLink Magazine, 3 Quarter 2008; pp. 8-11 (4 pages).
 AU Optronics Corp.; News Center: "AUO Announces Multiple Upcoming Innovations"; Oct. 27, 2008; retrieved from <http://www.auo.com/?sn=107&lang=en-US&c=10&n=363> on Mar. 3, 2017 (2 pages).
 DigiTimes Inc.; "FPD China 2009: AUO 8.9-inch convex display panel"; Mar. 12, 2009; retrieved from <http://www.digitimes.com/photogallery/showphoto.asp?ID=3376> on Mar. 3, 2017 (3 pages).
 Gizmodo.com; "AUO Curved Displays, Ultra Thin LCDs on the Way"; May 20, 2008; retrieved from <http://gizmodo.com/392248/auo-curved-displays-ultra-thin-lcds-on-the-way> on Mar. 3, 2017 (2 pages).
 PC World; "AU Optronics Shows off Curved LCD Screen"; May 20, 2008; retrieved from <http://www.pcworld.com/article/146083/article.amp.html> on Mar. 3, 2017 (3 pages).

DailyTech; "AUO Shows off Curved Display and Touch Screen"; May 23, 2008; retrieved from <http://www.dailytech.com/AUO+Shows+Off+Curved+Display+and+Touch+Screen+Tech+article11845.htm> on Mar. 3, 2017 (2 pages).
 OLED-Info; "LG Phillips LCD Develops 14.3-Inch Color E-Paper Display"; Jan. 4, 2008; retrieved from <http://www.oled-info.com/lg/lg_philips_lcd_develops_14_3_inch_color_e_paper_display>; (2 pages).
 NewLaunches.com; "LG Phillips LCD develops world's highest resolution 14.3-inch flexible color E-paper display!"; Jan. 3, 2008; retrieved from <http://newlaunches.com/archives/lgphilips_lcd_develops_worlds_highest_resolution_143inch_flexible_color_epaper_display.php> (4 pages).
 Wood, M., Major, C., Carr, V. eds.; "Curved Screens: Worth It?" video found at <https://www.nytimes.com/video/technology/personaltech/10000002788325/curved-screens-worth-it.html>; New York Times; Mar. 26, 2014.
 Immersaview; "Why choose a Curved Screen for your Multi-Projector Setup"; Jan. 28, 2016; retrieved from <https://www.immersaview.com/resources/why-curved/> (7 pages).
 Denison; "Why can't you buy a flat OLED yet? The curve isn't just about viewing experience"; Digital Trends; Aug. 18, 2013; retrieved from <http://www.digitaltrends.com/home-theater/why-did-the-us-get-stuck-with-curved-oled/#!zXypT> (8 pages).
 Willcox; "LG, Samsung, and Sony throw TV buyers a curve"; Consumer Reports; Sep. 10, 2013; retrieved from <http://www.consumerreports.org/cro/news/2013/09/curved-tv-screens/index.htm#> (1 page).
 Snider; "Sony tosses latest pitch for curved TV displays"; USA Today; Oct. 15, 2013; retrieved from <http://www.usatoday.com/story/tech/personal/2013/10/15/new-curved-sony-led-hdtv/2982051> (2 pages).
 Morrison; "Curved OLED HDTV screens are a bad idea (for now)"; CNET; Jun. 18, 2013; retrieved from <https://www.cnet.com/news/curved-oled-hdtv-screens-are-a-bad-idea-for-now/> (9 pages).
 Cochran; "Why Samsung's curved-screen TV might be a 'game changer'"; CBS News; Aug. 14, 2013; retrieved from <http://www.cbsnews.com/news/why-samsungs-curved-screen-tv-might-be-a-game-changer/> (3 pages).
 Kelly; "TV trends at CES: 4K, curves and smart TVs"; CNN; Jan. 8, 2014; retrieved from <http://www.cnn.com/2014/01/07/tech/gaming-gadgets/ces-television-trends/> (5 pages).
 Manjoo; "TV Makers Are Out of Ideas"; Wall Street Journal; Jan. 8, 2014; retrieved from <https://www.wsj.com/news/articles/SB10001424052702303393804579308801012230792> (4 pages).
 Daniel; "Curved Monitors—Overview"; Curved Monitor Test; Aug. 28, 2015; retrieved from <http://www.curved-monitor-test.de/> (5 pages).
 Matthias; "Curved TV—Overview"; Curved TV Test; Apr. 20, 2016; retrieved from <https://technikblog.net/fernseher-test/curved-tv/> (16 pages, in German).
 Ljt216; "Flat Screen vs Curved CRTs for Retro Games"; Reddit; Jul. 29, 2015; retrieved from <https://www.reddit.com/r/gamecollecting/comments/3f25r0/flat_screen_vs_curved_crt_for_retro_games/> (4 pages).
 Product Sheet for "American Eagle," Eagle Co. Ltd., 1997 (2 pages).
 Product Sheet for "Monopoly Chairman of the Board™," WMS Gaming Inc., 1999 (2 pages).
 Product Sheet for "American Eagle," Eagle Co., Ltd., 2000 (2 pages).
 Product Sheet for "Survivor," WMS Gaming Inc., 2001 (4 pages).
 Product Sheet for "ProSLOT® 6000," Bally Gaming Systems, 2002 (4 pages).
 Product Sheet for "EVO™ Hybrid," Bally Gaming Systems, 2002 (4 pages).
 Product Sheet for "3RV™," WMS Gaming Inc., 2002 or earlier (2 pages).
 Product Sheet for "Miss America," AC Coin & Slot, 2002 or earlier (2 pages).
 Product Catalog for Ainsworth Game Technology Ltd, date estimated as early as 2007 (6 pages).
 Product Sheet for "Ultrapin™," Global VR, 2007 (1 pages).

(56)

References Cited

OTHER PUBLICATIONS

Brochure for "Virtual Pinball," Tab-Austria, 2007 (8 pages).
Catalog for Atronic®-Spielo®, date estimated as early as 2008 (2 pages).
Product Catalog for "Alpha Elite™," Bally Technologies, date estimated as early as 2008-2009 (2 pages).
Cabinet Brochure for Hydako Co., date estimated as early as 2009 (1 page).
Product Catalog for Bally Technologies, date estimated as early as 2010 (2 pages).
Fall & Winter Catalog for Aristocrat, date estimated as early as 2010-2011 (7 pages).
Catalog for "Your Partner Innovation," Bally Technologies, date estimated as early as 2011 (4 pages).

* cited by examiner

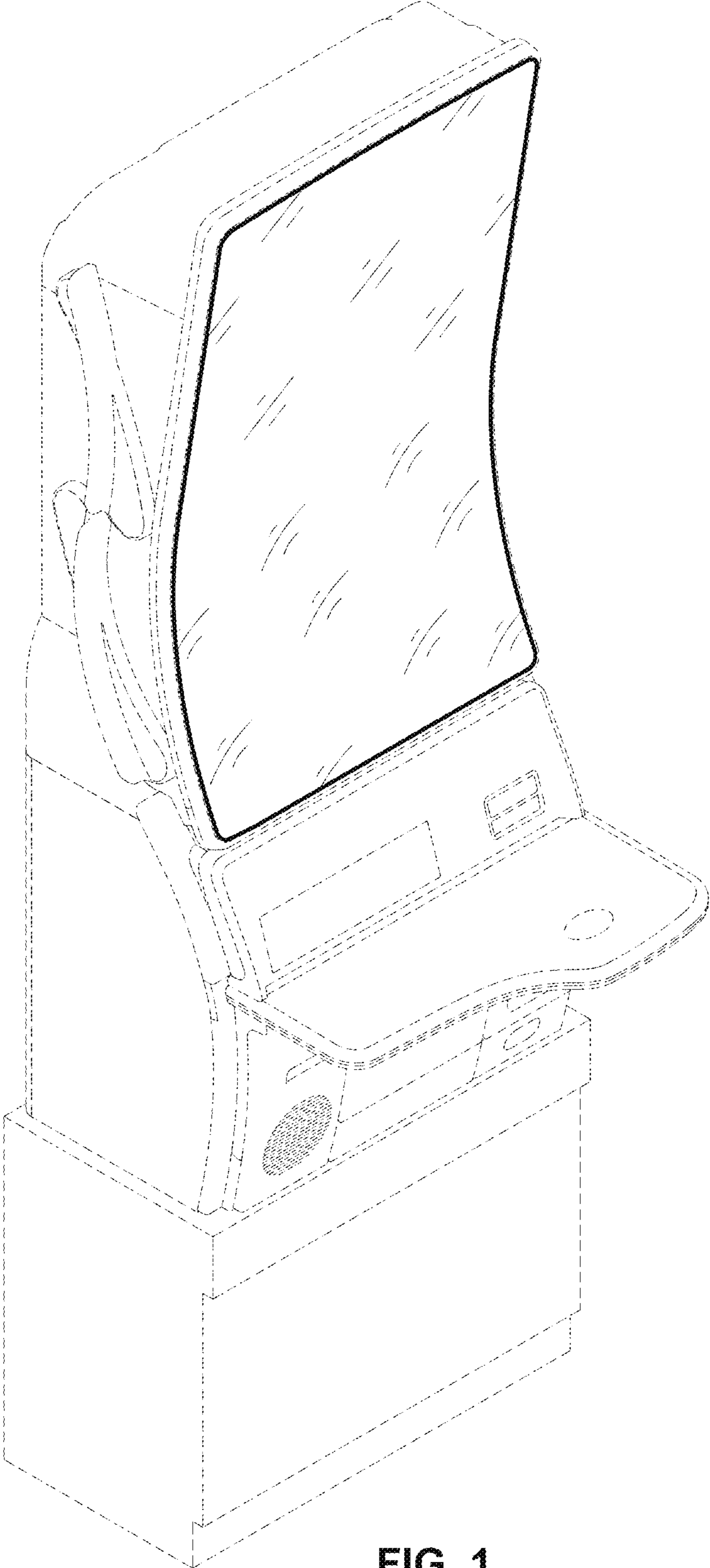


FIG. 1

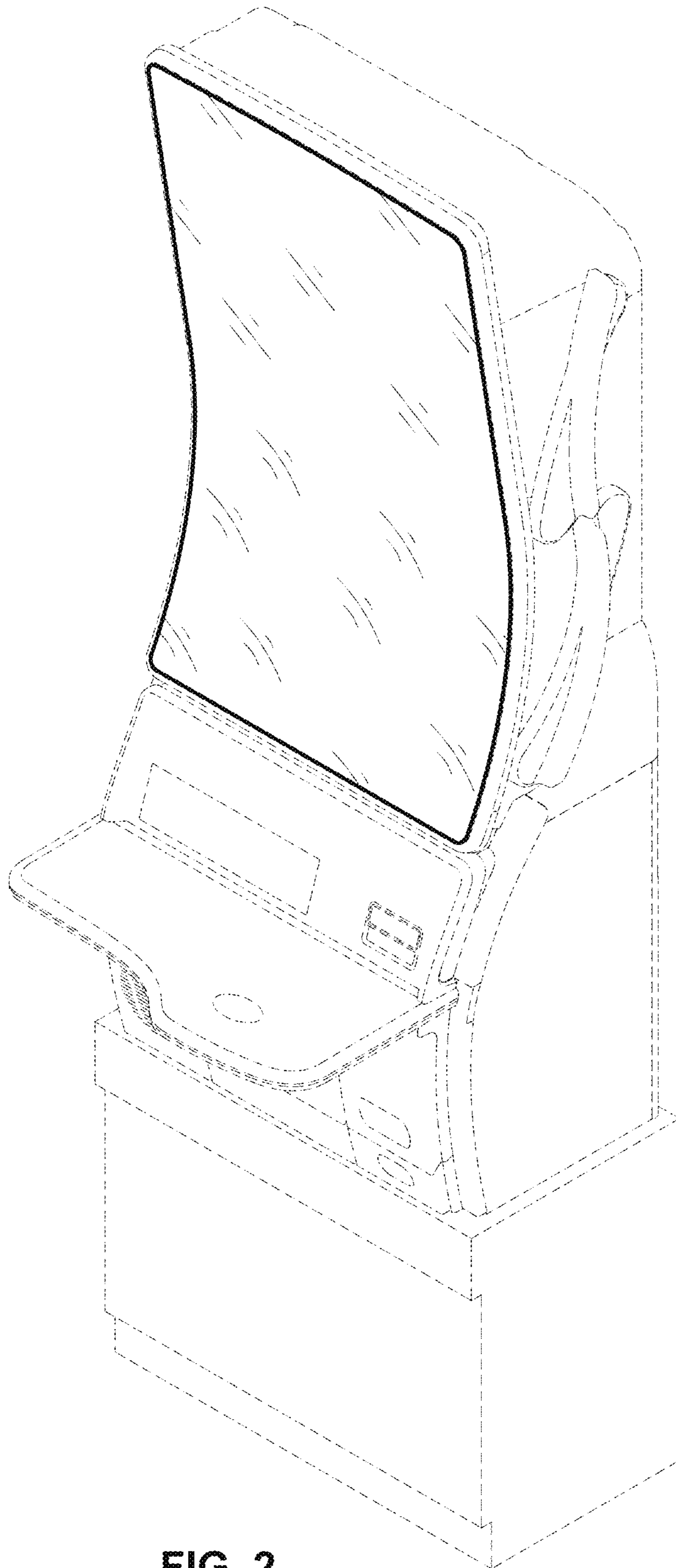


FIG. 2

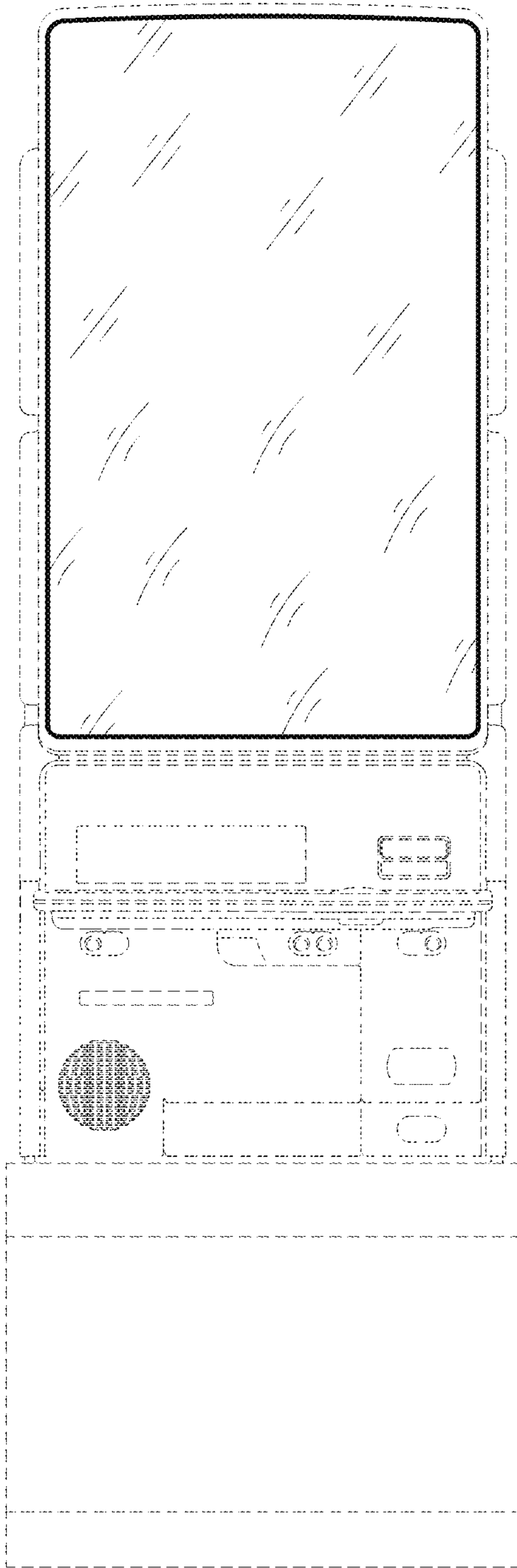


FIG. 3

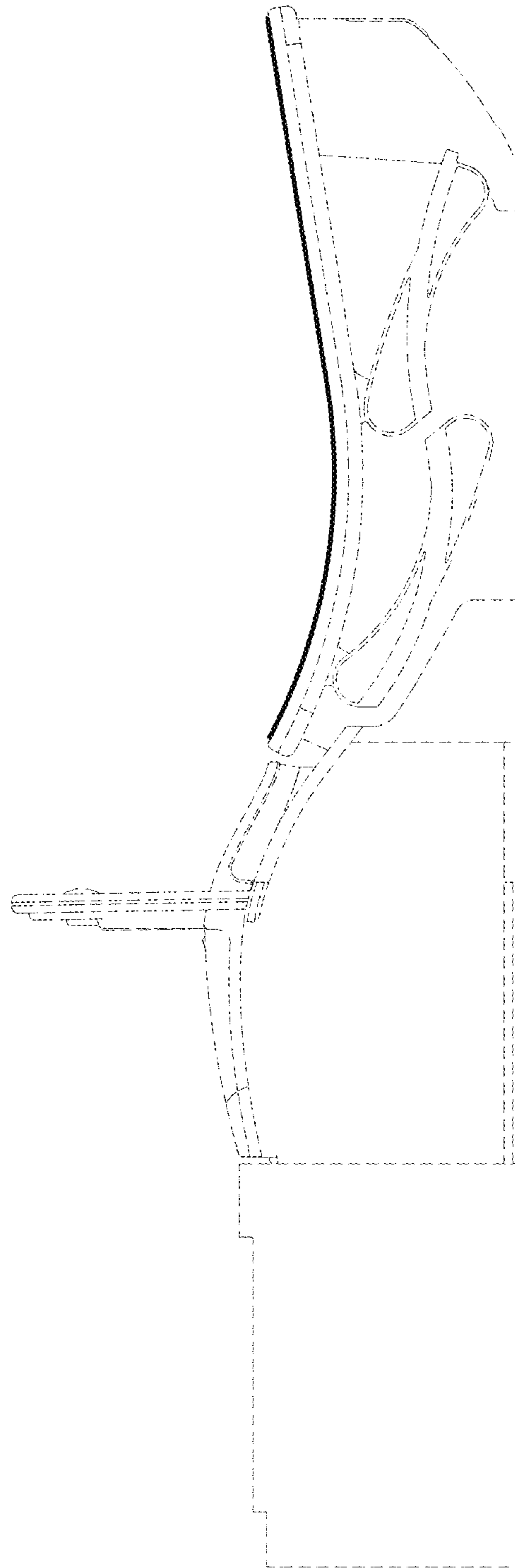


FIG. 4