



US00D819745S

(12) **United States Design Patent**
Goslin et al.

(10) **Patent No.:** **US D819,745 S**

(45) **Date of Patent:** **** Jun. 5, 2018**

- (54) **REPULSOR GEAR**
- (71) Applicant: **Disney Enterprises, Inc.**, Burbank, CA (US)
- (72) Inventors: **Michael Paul Goslin**, Sherman Oaks, CA (US); **Katherine M. Bassett**, Pasadena, CA (US); **John Peter Fiscella**, Valencia, CA (US); **James K. Stobar**, Los Angeles, CA (US); **Joseph Logan Olson**, Eagle Rock, CA (US); **Paulo Kang**, Burbank, CA (US); **Philippe Putzeys**, Los Angeles, CA (US)

4,756,525	A *	7/1988	Whitsitt	A63B 21/065
					482/105
4,905,991	A *	3/1990	Alston	A63B 21/065
					441/59
4,923,418	A *	5/1990	Hoffman	A63B 21/065
					441/57
D373,803	S *	9/1996	Winans	D21/684
7,090,624	B1 *	8/2006	Chrishon	A63B 21/0601
					482/105
D589,462	S *	3/2009	Tupinier	D13/168
D625,376	S *	10/2010	Marabellas	D21/683
9,329,716	B2 *	5/2016	Parham	G06F 3/0304
D772,978	S *	11/2016	Parham	D13/173
D772,986	S *	11/2016	Chen	D14/203.3
D780,807	S *	3/2017	Chen	D14/203.3

* cited by examiner

- (73) Assignee: **Disney Enterprises, Inc.**, Burbank, CA (US)

Primary Examiner — Prabhakar G Deshmukh
(74) *Attorney, Agent, or Firm* — Patterson + Sheridan, LLP

(**) Term: **15 Years**

(21) Appl. No.: **29/543,015**

(57) **CLAIM**

(22) Filed: **Oct. 20, 2015**

The ornamental design for a repulsor gear, as shown and described.

(51) **LOC (11) Cl.** **21-01**

(52) **U.S. Cl.**
USPC **D21/325**; D21/333; D21/326

DESCRIPTION

(58) **Field of Classification Search**
USPC D21/314, 333, 453, 468, 585, 658, 420, D21/811, 562, 683, 684, 694; 273/263, 273/259, 277, 148 R, 452; 472/133, 134; 463/1, 46, 49, 47.2
CPC A63B 21/005; A63B 21/02; A63B 23/00; A63B 21/065
See application file for complete search history.

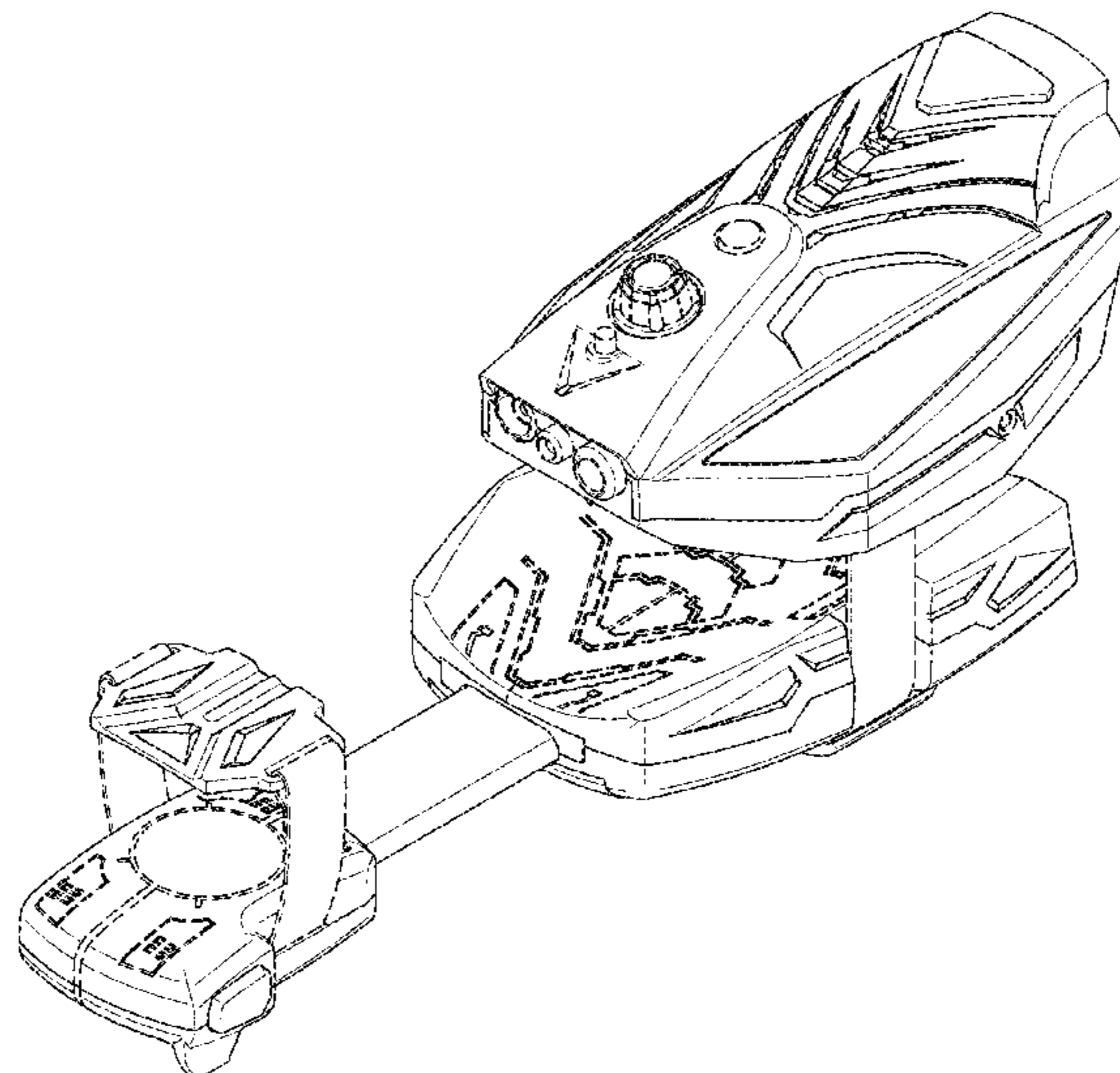
FIG. 1 is a top front perspective view of a repulsor gear showing our new design;
FIG. 2 is a bottom rear perspective view thereof;
FIG. 3 is another top front perspective view thereof;
FIG. 4 is another bottom rear perspective view thereof;
FIG. 5 a front elevational view thereof;
FIG. 6 is a right side elevational view thereof;
FIG. 7 is a rear elevational view thereof;
FIG. 8 is a left side elevational view thereof;
FIG. 9 is a top plan view thereof; and,
FIG. 10 is a bottom plan view thereof.
The portions illustrated in broken lines form no part of the claimed design.

(56) **References Cited**

U.S. PATENT DOCUMENTS

1,729,209	A *	9/1929	Curtice	A63B 21/065
					482/105
D278,455	S *	4/1985	Nosek	D21/683

1 Claim, 10 Drawing Sheets



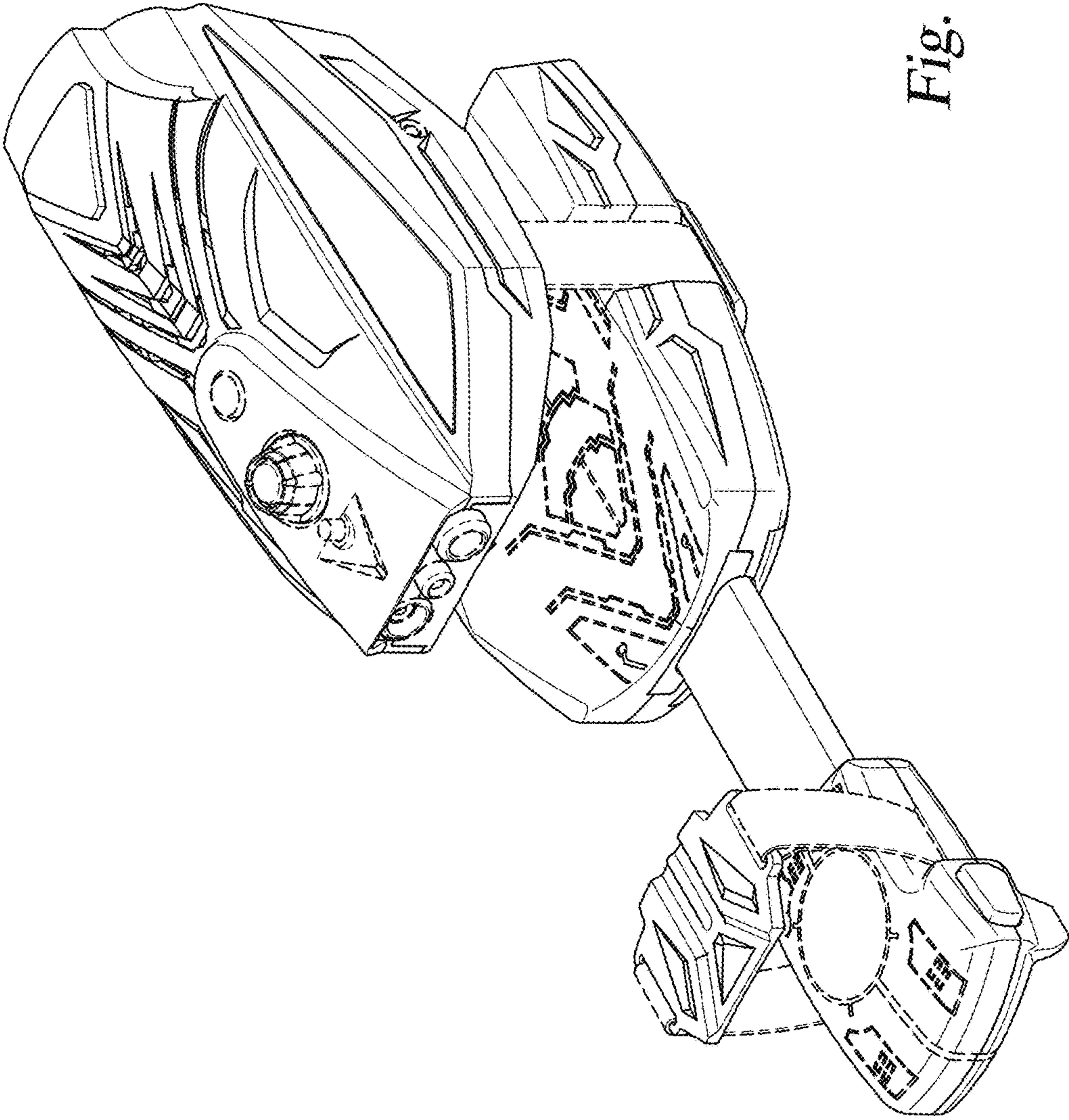


Fig. 1

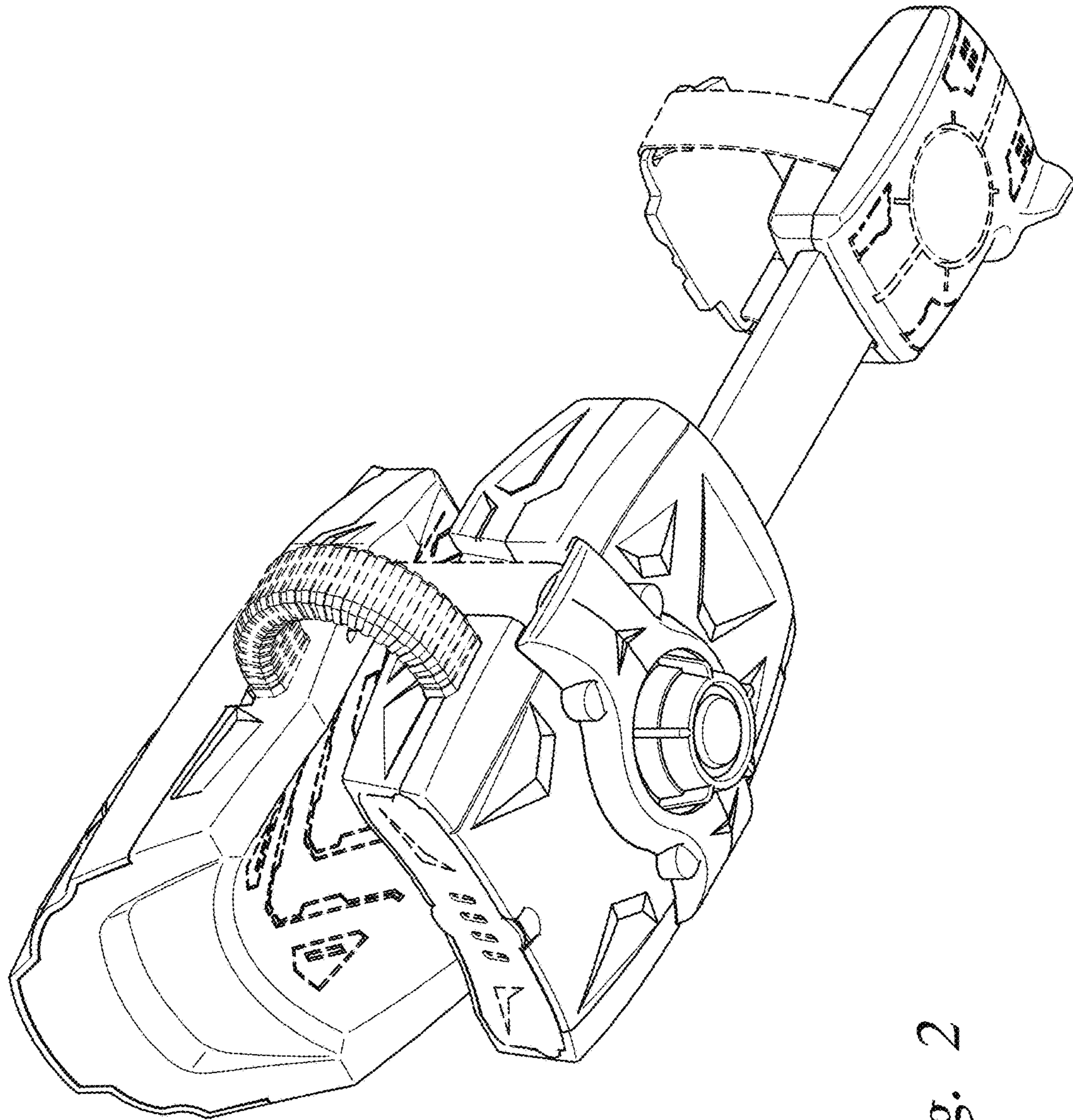


Fig. 2

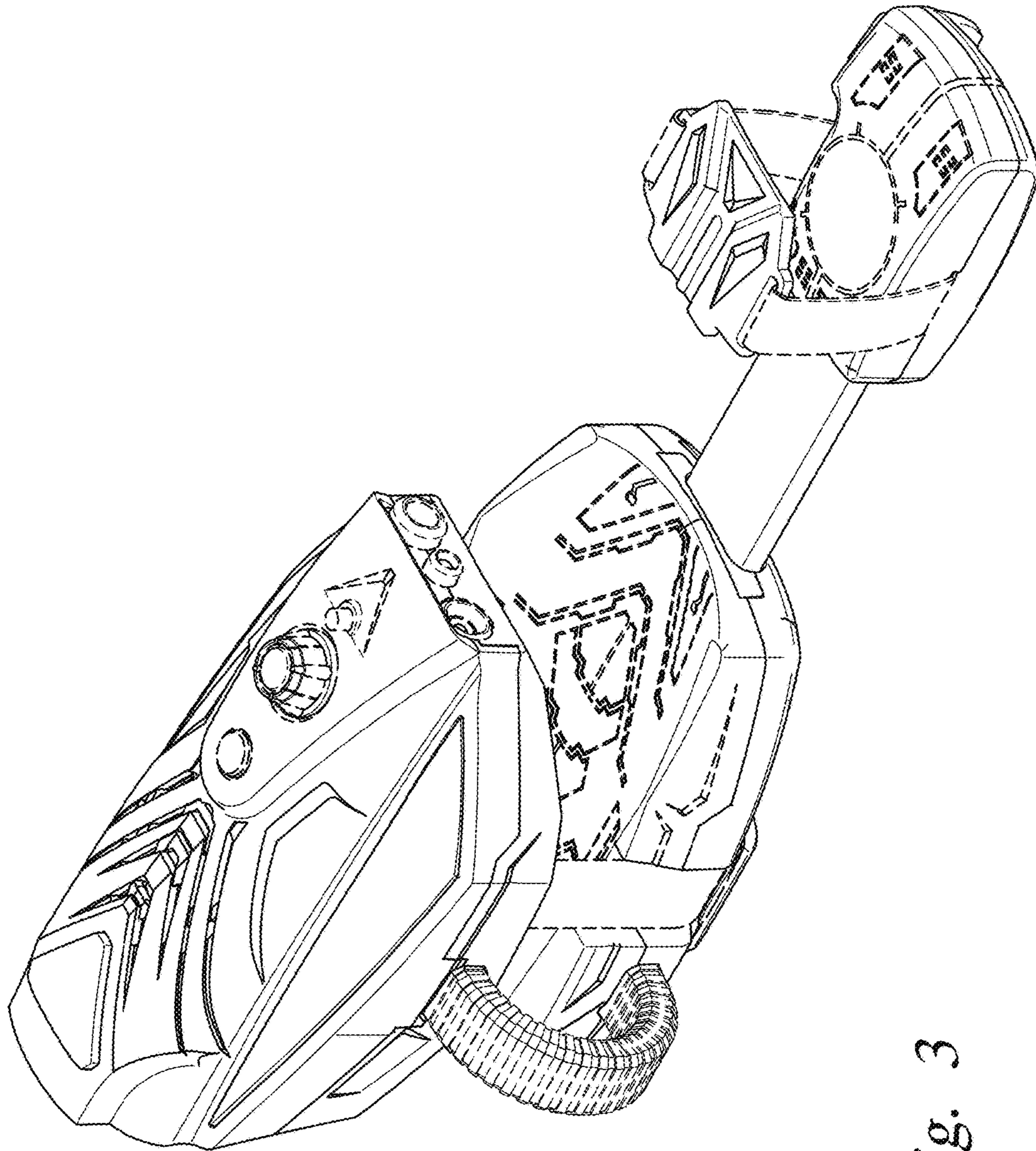


Fig. 3

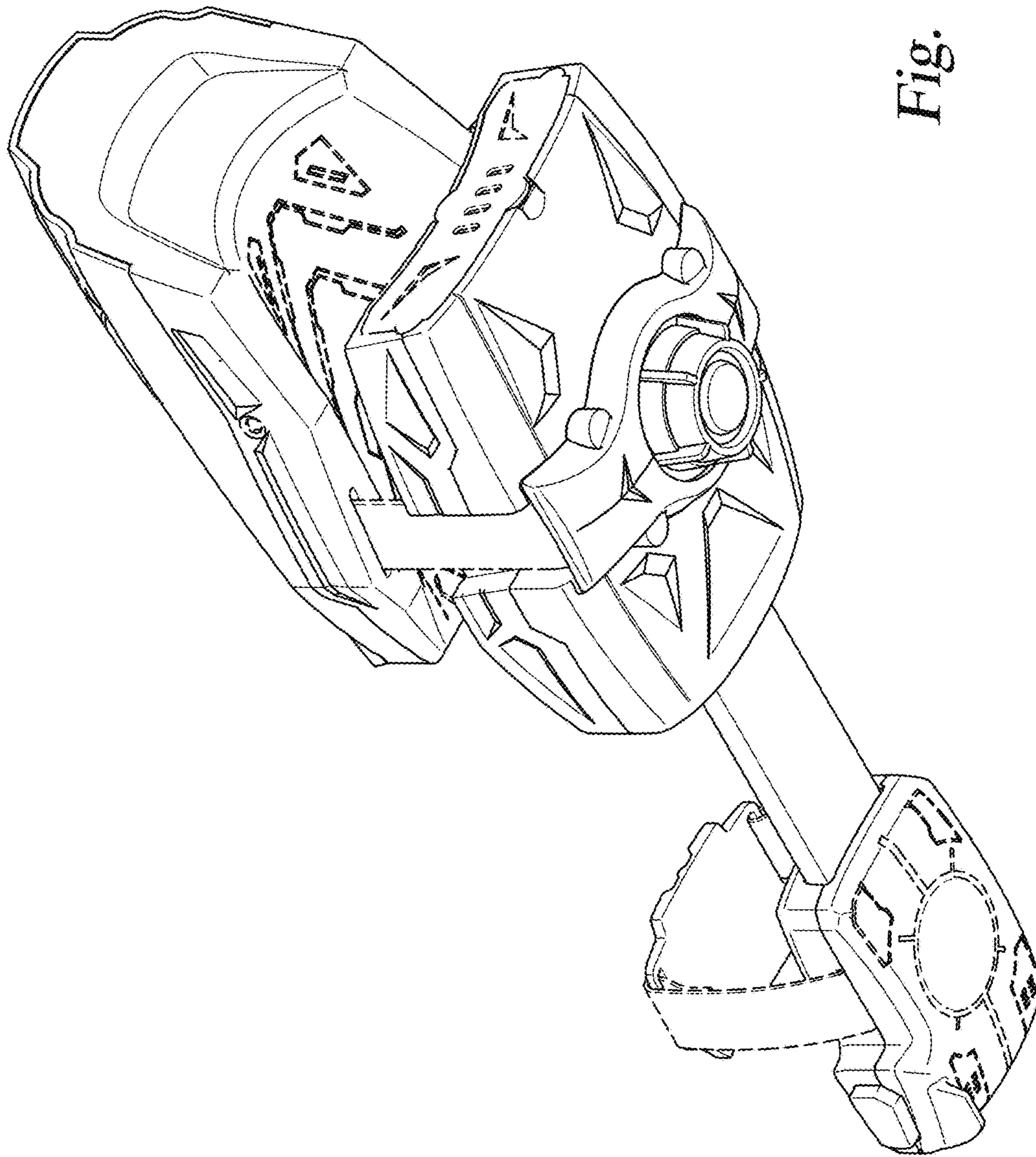


Fig. 4

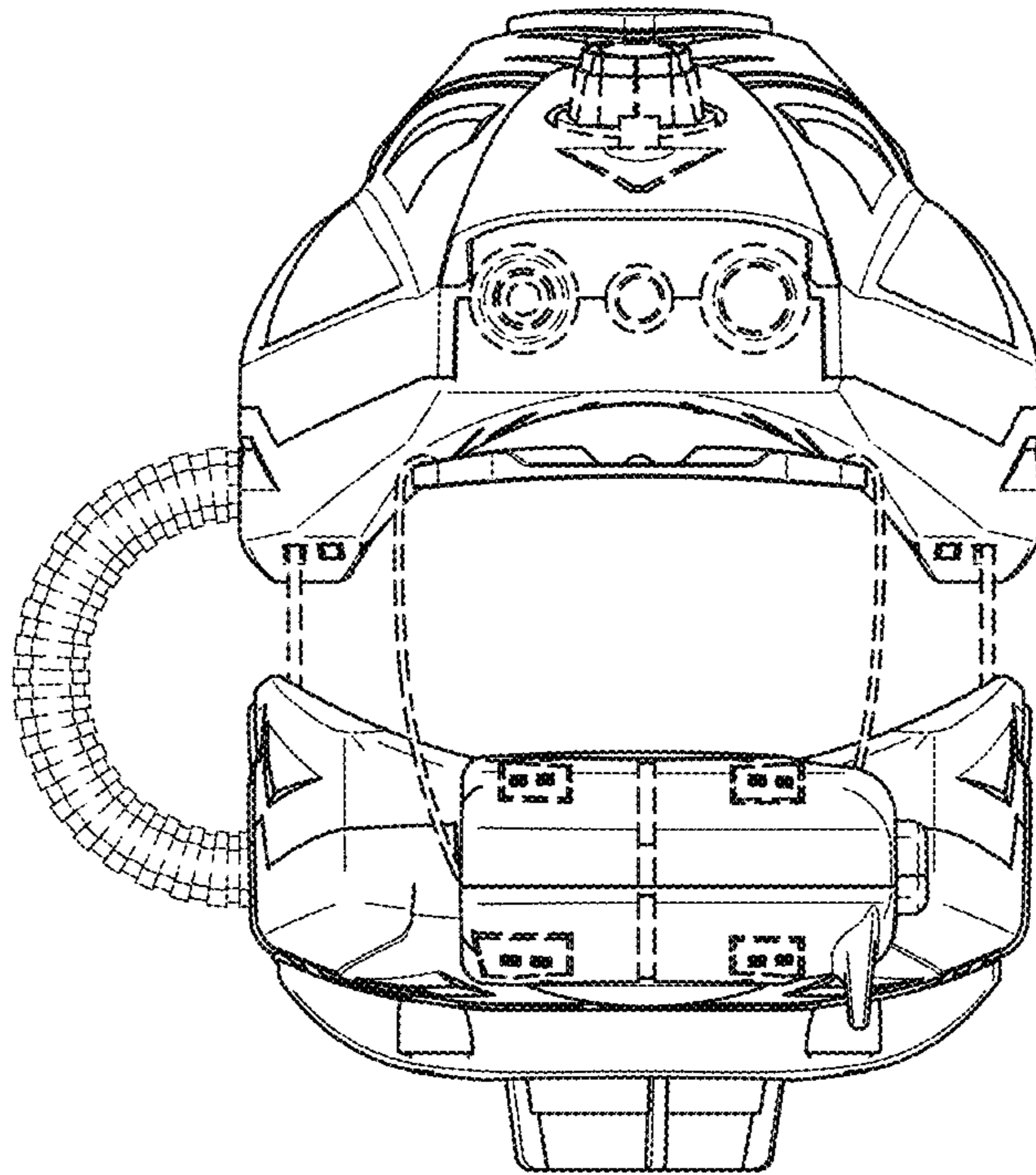
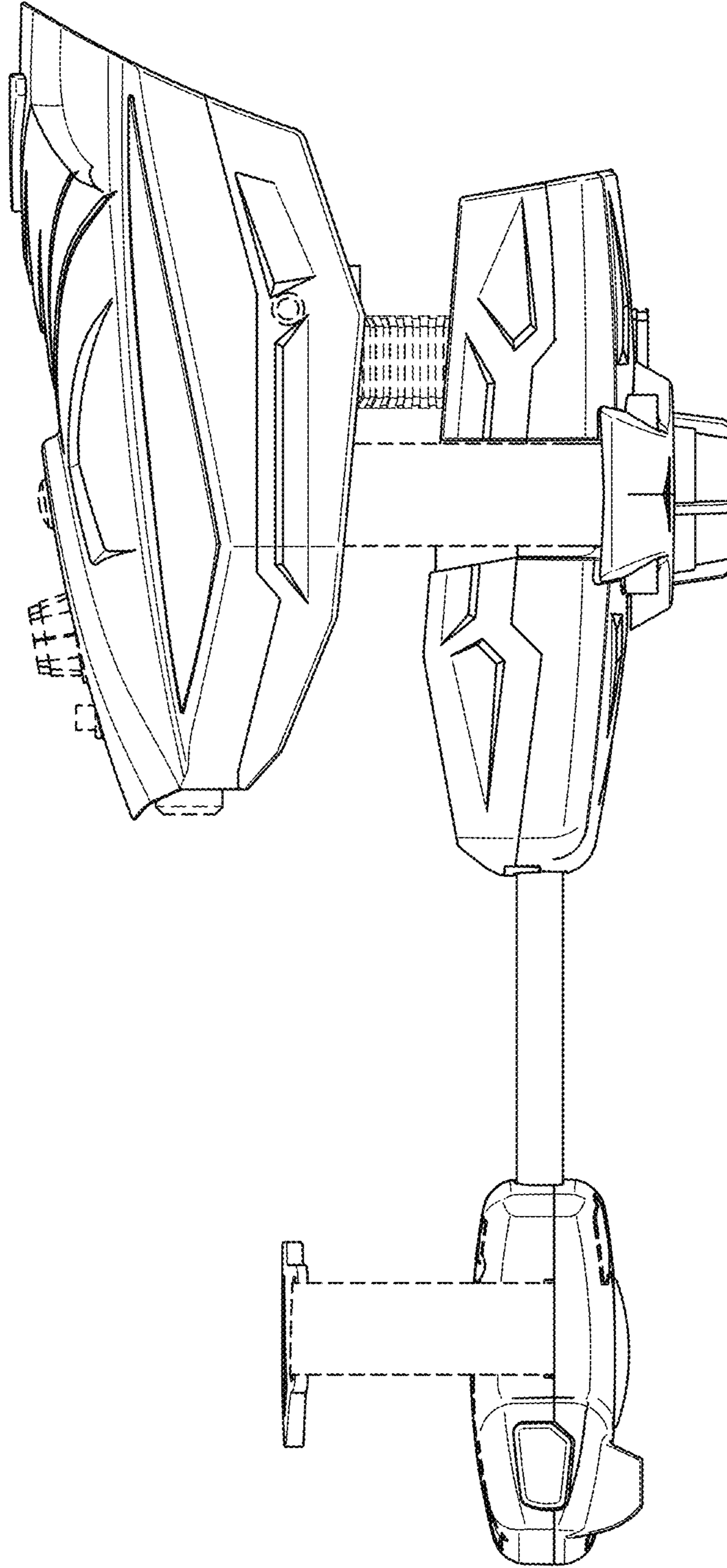


Fig. 5

Fig. 6



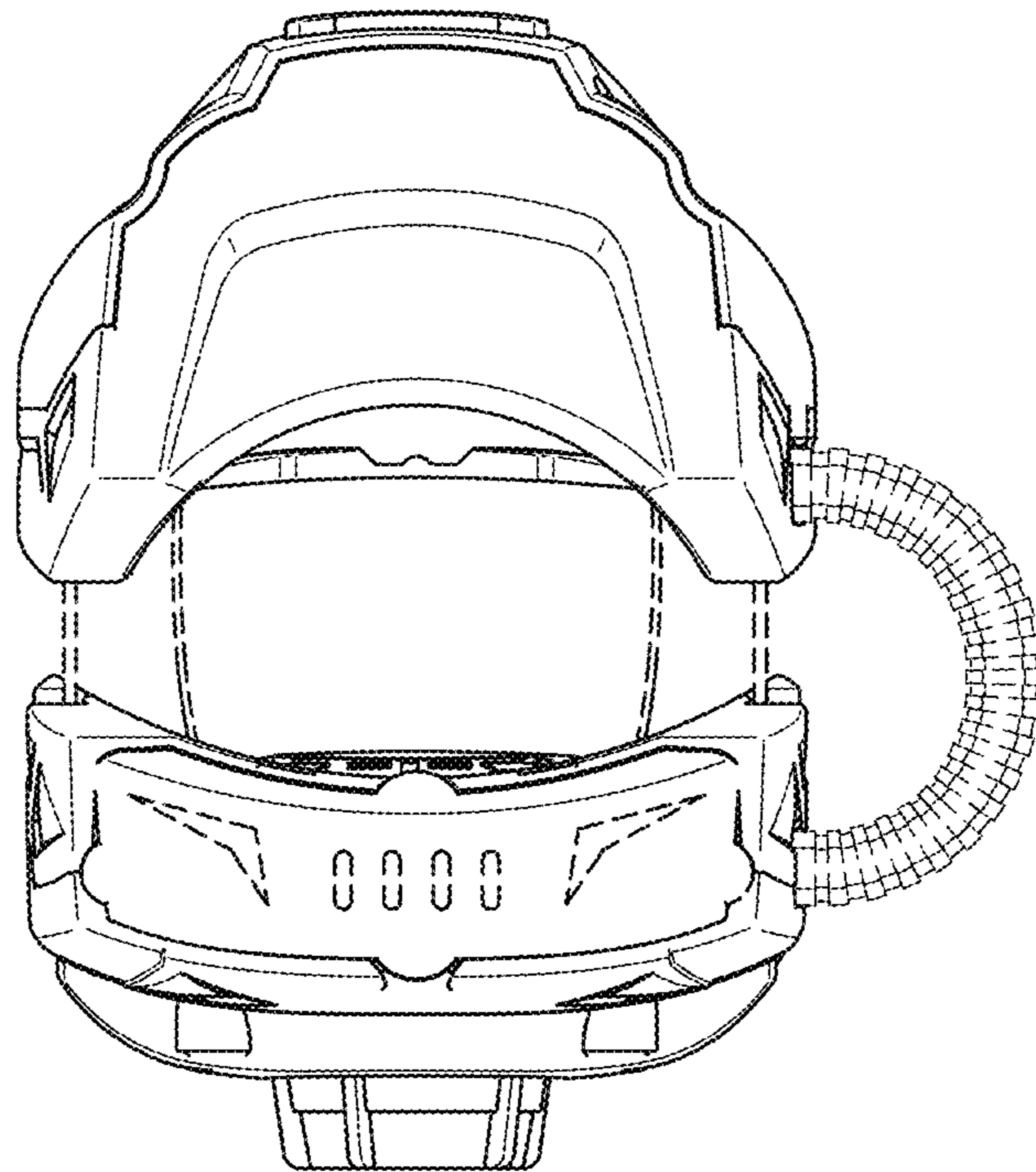
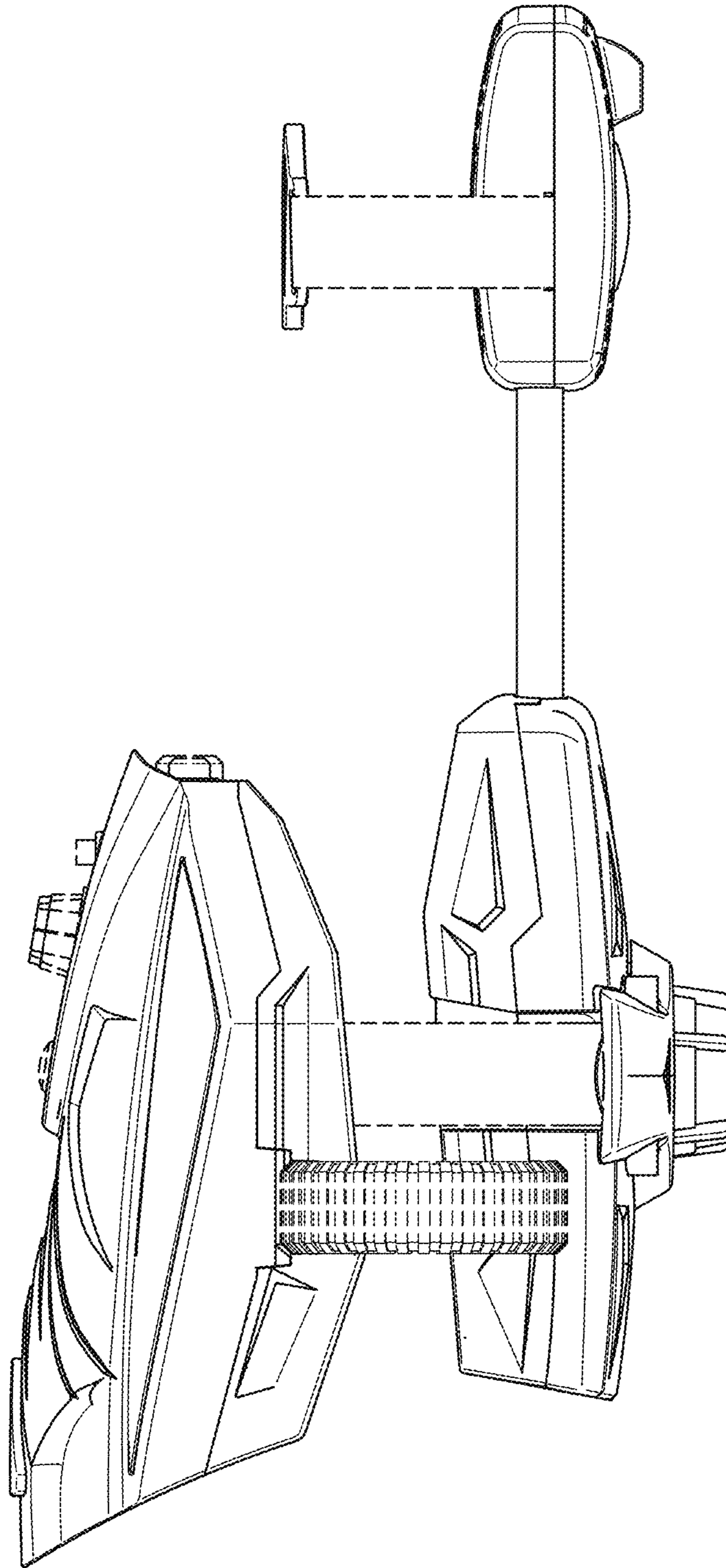


Fig. 7

Fig. 8



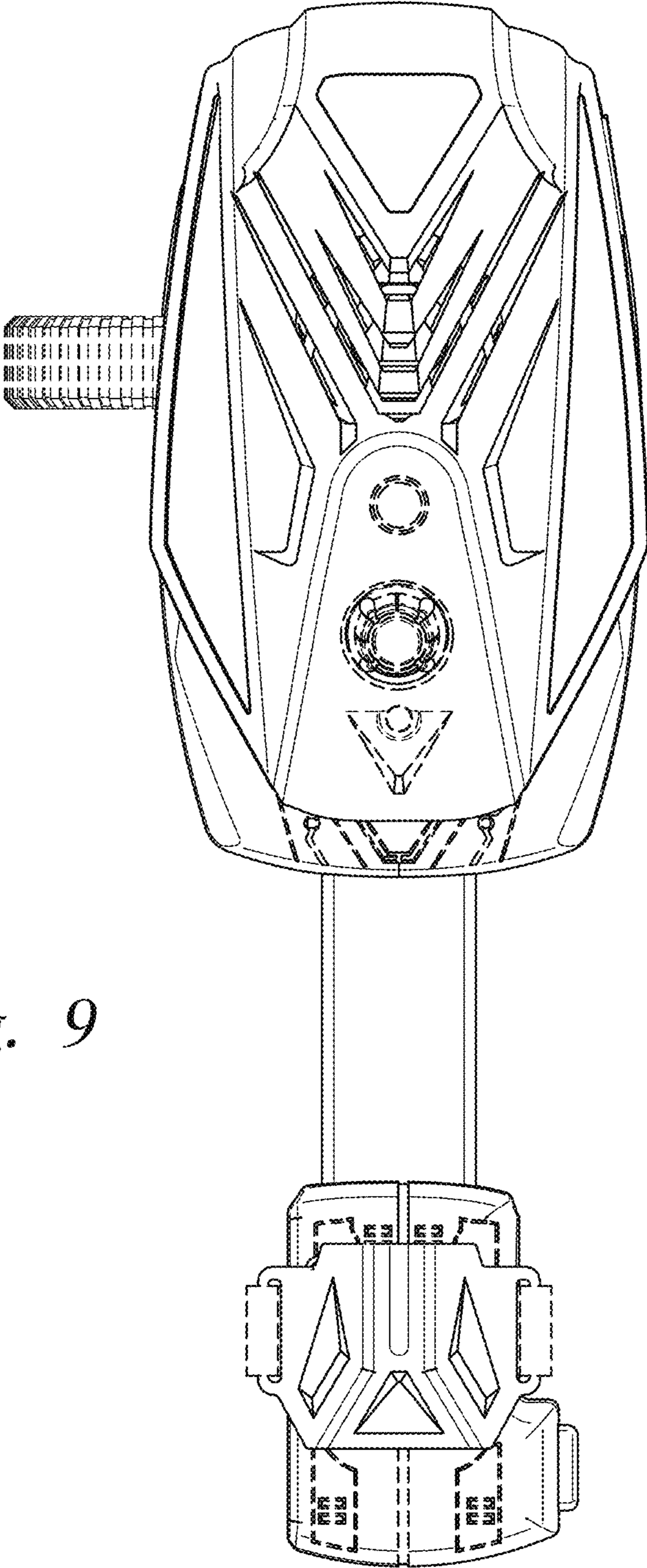


Fig. 9

Fig. 10

