

US00D819741S

(12) **United States Design Patent** (10) **Patent No.:** **US D819,741 S**
Clegg et al. (45) **Date of Patent:** **** Jun. 5, 2018**

(54) **HORIZONTAL DIGITAL VIDEO BLADE**
(71) Applicant: **Americhip, Inc.**, Gardena, CA (US)
(72) Inventors: **Timothy P Clegg**, Chagrin Falls, OH (US); **Anthony V Roberts**, Rolling Hills Estates, CA (US); **Kevin C Clegg**, Redondo Beach, CA (US)

D627,826 S * 11/2010 Halimi D20/27
D747,705 S * 1/2016 Kim D14/250
D751,541 S * 3/2016 Kim D14/250
D754,645 S * 4/2016 Kim D14/250
D754,646 S * 4/2016 Kim D14/250
D754,649 S * 4/2016 Kim D14/250
D755,169 S * 5/2016 Kim D14/250

(Continued)

(73) Assignee: **Americhip, Inc.**, Gardena, CA (US)

(**) Term: **15 Years**

(21) Appl. No.: **29/609,512**

(22) Filed: **Jun. 30, 2017**

Related U.S. Application Data

(63) Continuation-in-part of application No. 29/519,422, filed on Mar. 4, 2015, now Pat. No. Des. 791,236.

(51) **LOC (11) Cl.** **19-08**

(52) **U.S. Cl.**
USPC **D20/22**

(58) **Field of Classification Search**
USPC ... D14/137-138, 138 R, 144, 147-148, 218, D14/240, 247-248, 250, 320, 341-347, D14/391-394, 396, 399; D20/11, 22-23, D20/27, 29; 455/575.8

CPC H04M 1/23; H04M 1/236; H04M 2250/00; H04M 2250/18

See application file for complete search history.

(56) **References Cited**

U.S. PATENT DOCUMENTS

D353,842 S * 12/1994 Nettik D20/27
D511,547 S * 11/2005 Andersson D20/27
D532,363 S * 11/2006 Morisawa D13/103
D542,286 S * 5/2007 Taniyama D13/103
D561,261 S * 2/2008 Feibelman D20/22
D574,438 S * 8/2008 Mori D20/22
D624,595 S * 9/2010 Langan D20/27

OTHER PUBLICATIONS

Ainol-novo | Huawei P8 Max Leather Case with Window Gold, posted on Jul. 13, 2015, © 2004-2017 Ainol Novo [online], [site visited Mar. 23, 2018]. Available from Internet, <URL: <http://www.ainol-novo.com/huawei-p8-max-stand-leather-case-gold.html/>>.*

(Continued)

Primary Examiner — Philip S Hyder

Assistant Examiner — Cary M Robinson

(74) *Attorney, Agent, or Firm* — Francis D. Logan, Jr.

(57) **CLAIM**

The ornamental design for a horizontal digital video blade, as shown and described.

DESCRIPTION

FIG. 1 is a perspective view of the front, top and left side of the present invention showing our new design.

FIG. 2 is a front elevational view of the present invention.

FIG. 3 is a rear elevational view of the present invention.

FIG. 4 is a top plan view of the present invention.

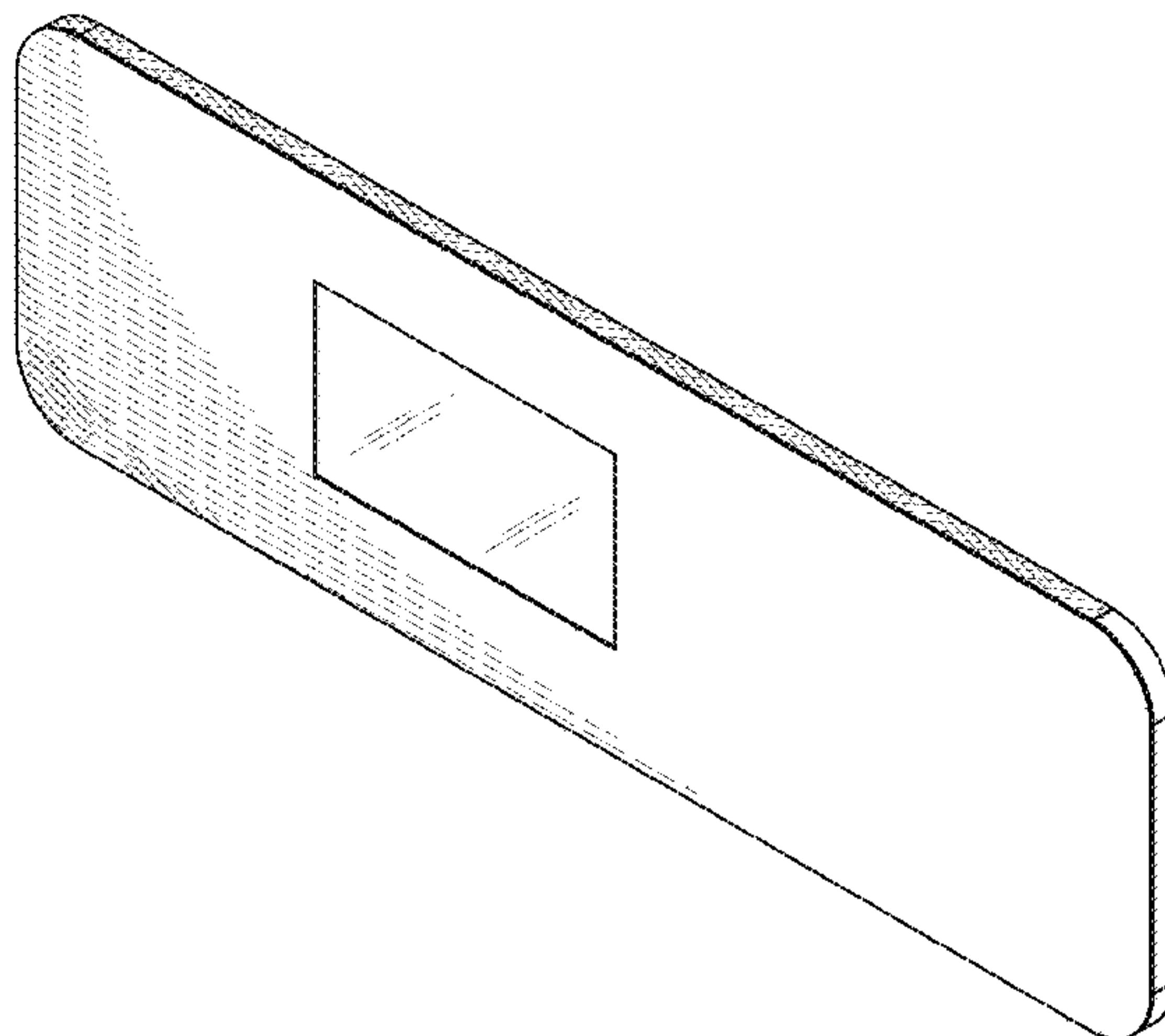
FIG. 5 is a bottom plan view of the present invention.

FIG. 6 is a left side elevational view of the present invention; and,

FIG. 7 is a right side elevational view of the present invention.

The shading shown in the drawings illustrate portions of the horizontal digital video blade in which the design is embodied that form no part of the claimed design.

1 Claim, 3 Drawing Sheets



(56)

References Cited

U.S. PATENT DOCUMENTS

D755,170 S * 5/2016 Kim D14/250
 D755,895 S * 5/2016 Garfinkle D20/27
 D761,777 S * 7/2016 Lee D14/250
 D767,550 S * 9/2016 Beaupre D14/250
 9,462,097 B2 * 10/2016 Oh G06F 1/1613
 D777,715 S * 1/2017 Sawaya D14/250
 D777,718 S * 1/2017 Lee D14/250
 D777,723 S * 1/2017 Kasanvu D14/346
 D781,278 S * 3/2017 Kim D14/250
 D791,236 S * 7/2017 Clegg D20/22
 D794,009 S * 8/2017 Lee D14/250
 2009/0152861 A1 * 6/2009 Kresse G09F 3/0288
 283/81
 2010/0121692 A1 * 5/2010 Top G06Q 20/341
 705/14.4
 2014/0185206 A1 * 7/2014 Kim H05K 5/0017
 361/679.01
 2015/0141095 A1 * 5/2015 Kim H04M 1/185
 455/575.8
 2015/0311940 A1 * 10/2015 Lee H04B 1/3888
 455/575.8

OTHER PUBLICATIONS

Americhip | Our Work | Wrangler Video Blade, posted on Jun. 19, 2015, © 2016 Americhip, Inc. [online], [site visited Mar. 23, 2018]. Available from Internet, <URL: <http://www.americhip.com/ourwork/wrangler-video-blade.html/>>.*
 Americhip | Our Work | Cleveland Golf Video Blade, page last updated on Jun. 17, 2017, © 2018 Americhip, Inc. [online], [site visited Mar. 23, 2018]. Available from Internet, <URL: <http://www.americhip.com/ourwork/cleveland-golf-video-blade.html/>>.*
 Qialino | Shop | Huawei Mate 9 Classic Pattern Magnetic Leather Window View Case, posted on Dec. 12, 2016, © 2018 Americhip, Inc. [online], [site visited Mar. 23, 2018]. Available from Internet, <URL: <https://gialinocases.com/shop/huawei-mate-9-classic-pattern-magnetic-leather-window-view-case/>>.*

* cited by examiner

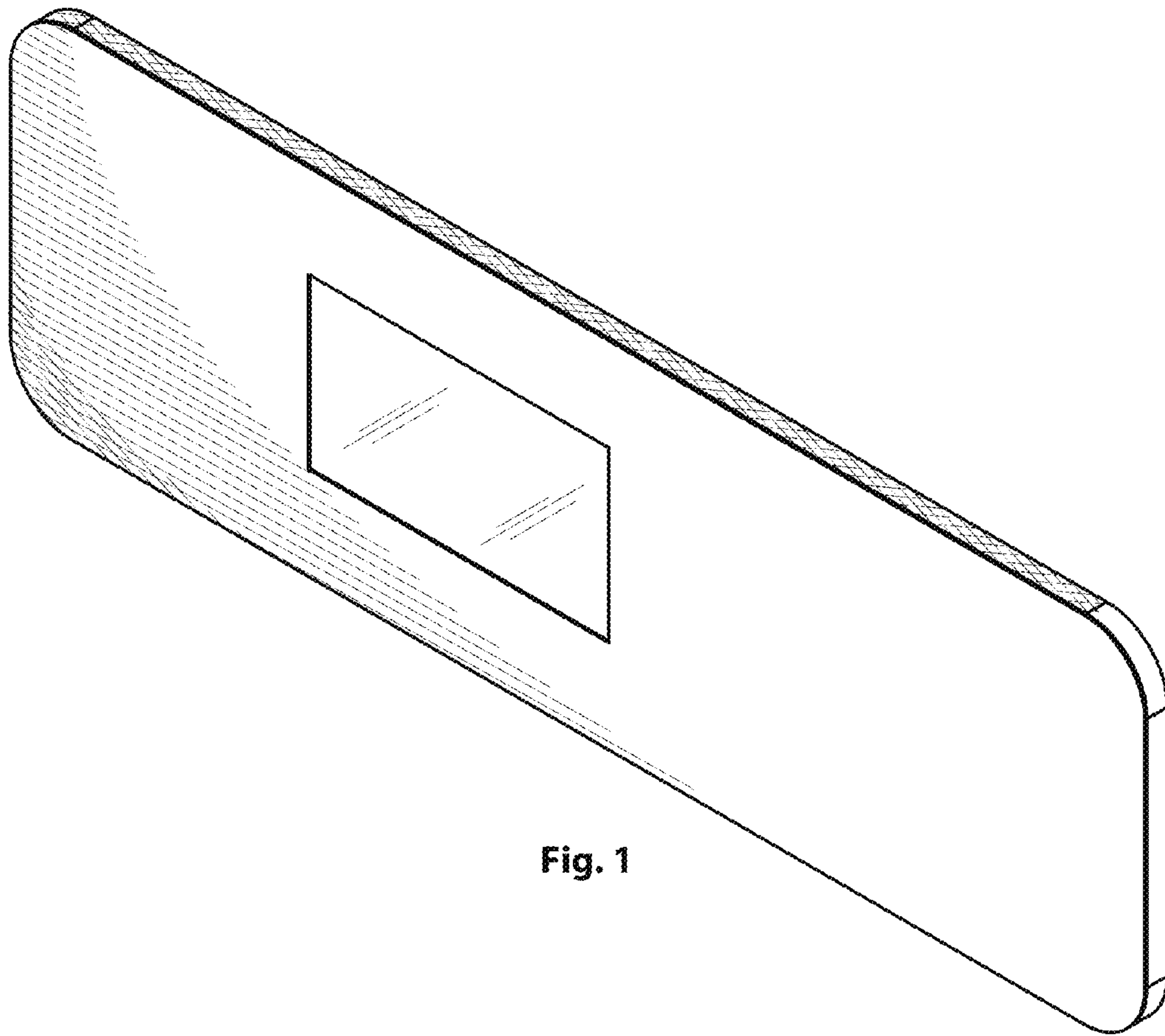


Fig. 1

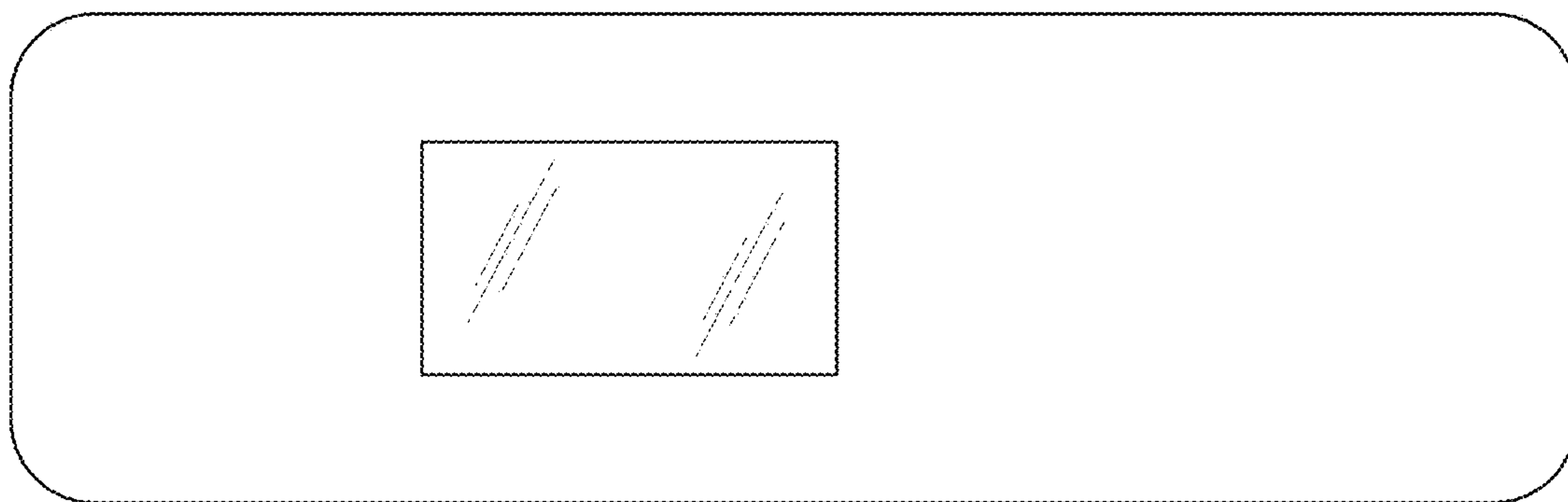


Fig. 2

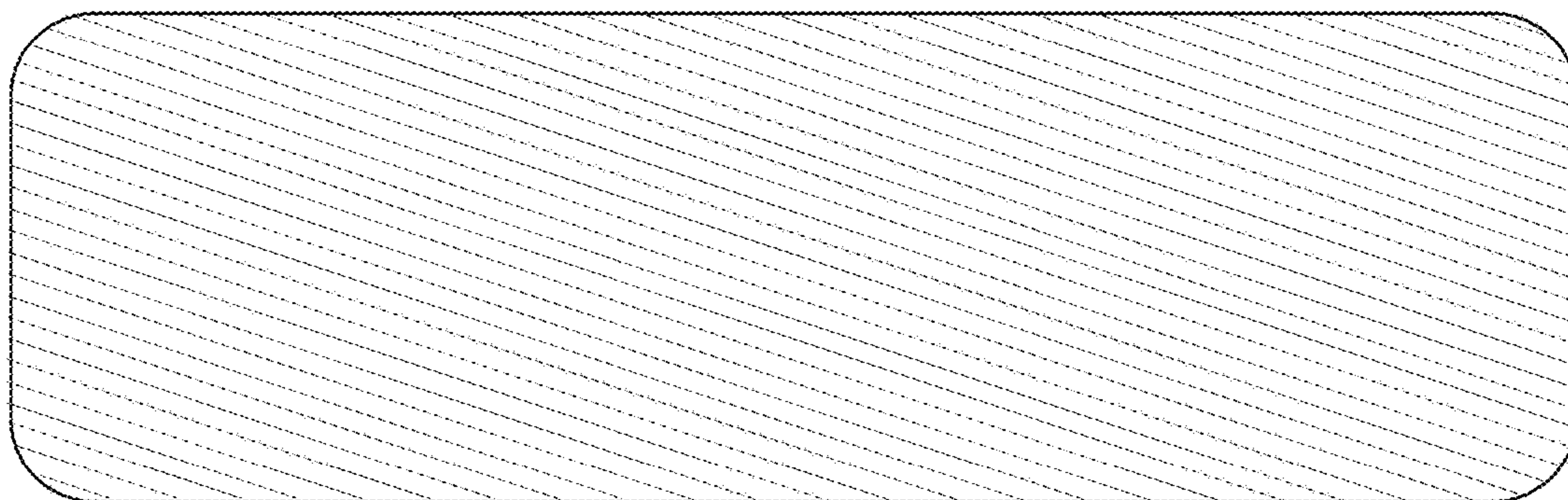


Fig. 3

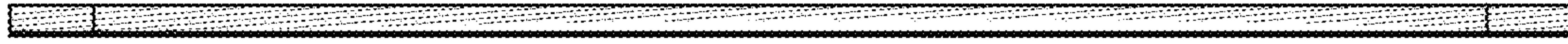


Fig. 4

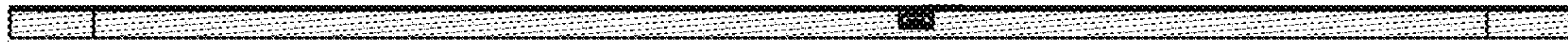


Fig. 5

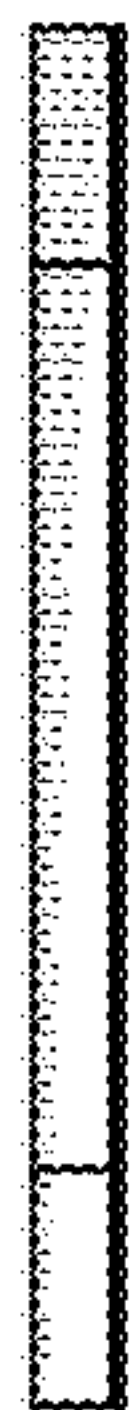


Fig. 6

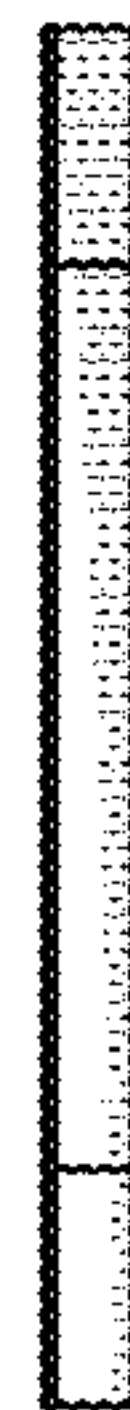


Fig. 7