



US00D819738S

(12) **United States Design Patent**
Kevin

(10) **Patent No.:** **US D819,738 S**
(45) **Date of Patent:** **** Jun. 5, 2018**

(54) **PEN**
(71) Applicant: **GRAY TECH INTERNATIONAL PRIVATE LIMITED**, Singapore (SG)
(72) Inventor: **Ng Tze Yang Kevin**, Singapore (SG)
(**) Term: **15 Years**
(21) Appl. No.: **35/502,826**
(22) Filed: **Oct. 20, 2016**
(80) **Hague Agreement Data**
Int. Filing Date: **Oct. 20, 2016**
Int. Reg. No.: **DM/094666**
Int. Reg. Date: **Oct. 20, 2016**
Int. Reg. Pub. Date: **Apr. 21, 2017**

(51) **LOC (11) Cl.** **19-06**
(52) **U.S. Cl.**
USPC **D19/163**
(58) **Field of Classification Search**
USPC D19/115-123, 161-179; D14/411;
D27/101; D7/635, 636, 637, 642;
D28/76, 85
CPC B43K 7/005; B43K 7/00; B43K 8/003;
B43K 5/005; B43K 21/006
See application file for complete search history.

(56) **References Cited**
U.S. PATENT DOCUMENTS
D79,456 S * 9/1929 Coby D19/168
D94,375 S * 1/1935 Back D19/163
D161,826 S * 2/1951 Ferber D19/185
D166,161 S * 3/1952 Hanle D19/163
D223,688 S * 5/1972 Schnur et al. D19/167
D261,901 S * 11/1981 Coffman D19/186
D322,811 S * 12/1991 Isern 401/199
D323,350 S * 1/1992 Johansson D19/178
D397,147 S * 8/1998 Mackenzie D19/123
D405,219 S * 2/1999 Dal Monte D27/101
D416,286 S * 11/1999 Paras D19/179

D431,324 S * 9/2000 Hirato D28/7
D457,916 S * 5/2002 Reichmann D19/163
D468,059 S * 12/2002 Fuller D28/77
6,648,536 B1 * 11/2003 Bellue B43K 19/02
16/430
D493,911 S * 8/2004 Somma D27/101
D557,572 S * 12/2007 Kirsch D7/651
D585,490 S * 1/2009 Puglisi D19/121
D596,231 S * 7/2009 Hung D19/121
D605,694 S * 12/2009 Zhang D19/117
D611,536 S * 3/2010 Bridge D19/170
D639,337 S * 6/2011 Hung D19/117
D662,978 S * 7/2012 Xie D19/163
D662,979 S * 7/2012 Xie D19/163
D667,876 S * 9/2012 Xie D19/163
D667,878 S * 9/2012 Xie D19/163
D679,321 S * 4/2013 Walton D19/119
D692,889 S * 11/2013 So D14/411

(Continued)

OTHER PUBLICATIONS

Shard Pen, Gray International; Facebook page. Facebook photo posted Sep. 16, 2016. Found at [https://www.facebook.com/grayinternational/photos/a.927953790611896.1073741828.916981725042436/1198150433592229/?...*](https://www.facebook.com/grayinternational/photos/a.927953790611896.1073741828.916981725042436/1198150433592229/?...)

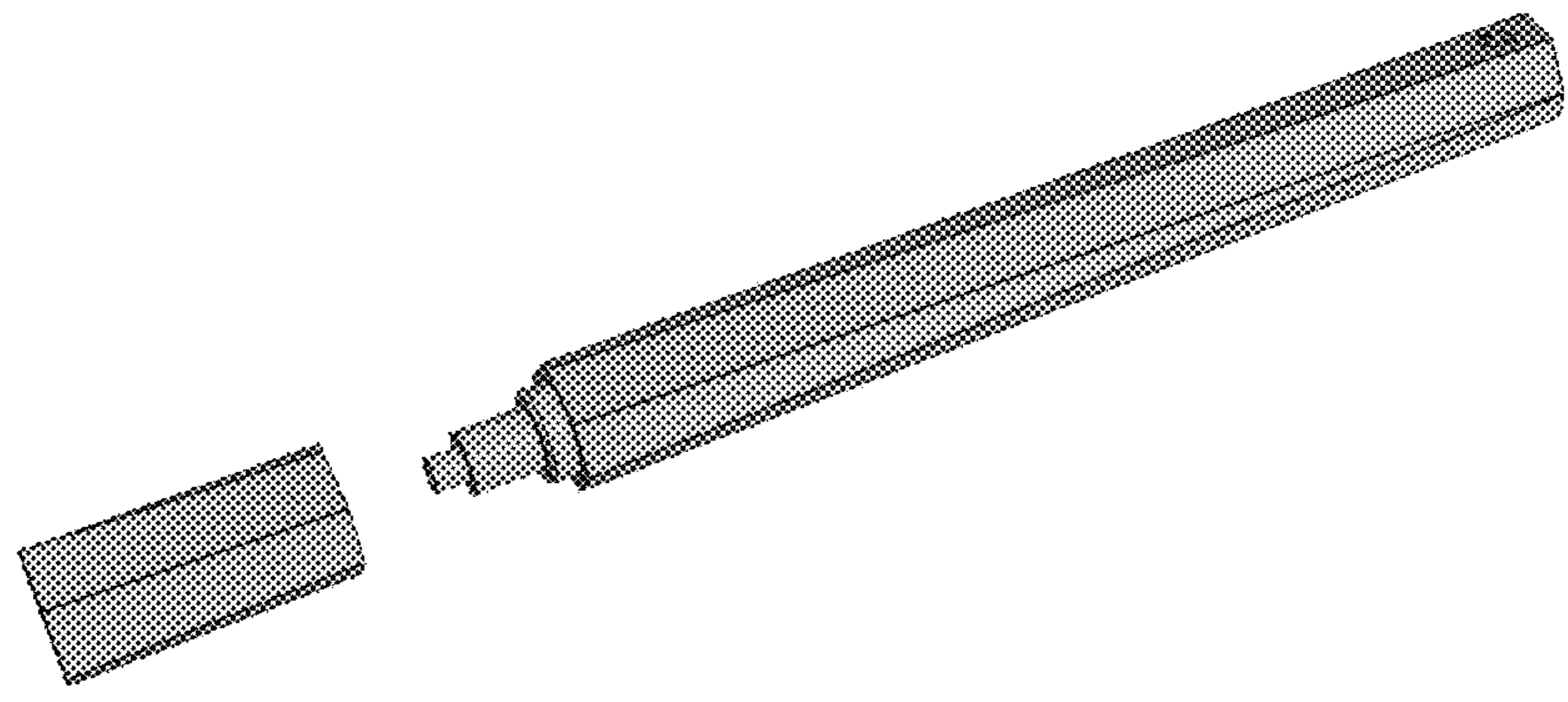
Primary Examiner — Eric L Goodman
Assistant Examiner — Jennifer L Rempfer

(57) **CLAIM**
The ornamental design for a pen, as shown and described.

DESCRIPTION

- 1. Pen
- 1.1 : Perspective
- 1.2 : Perspective view with cap detached
- 1.3 : Perspective
- 1.4 : Front
- 1.5 : Top
- 1.6 : Back
- 1.7 : Right

1 Claim, 7 Drawing Sheets



(56)

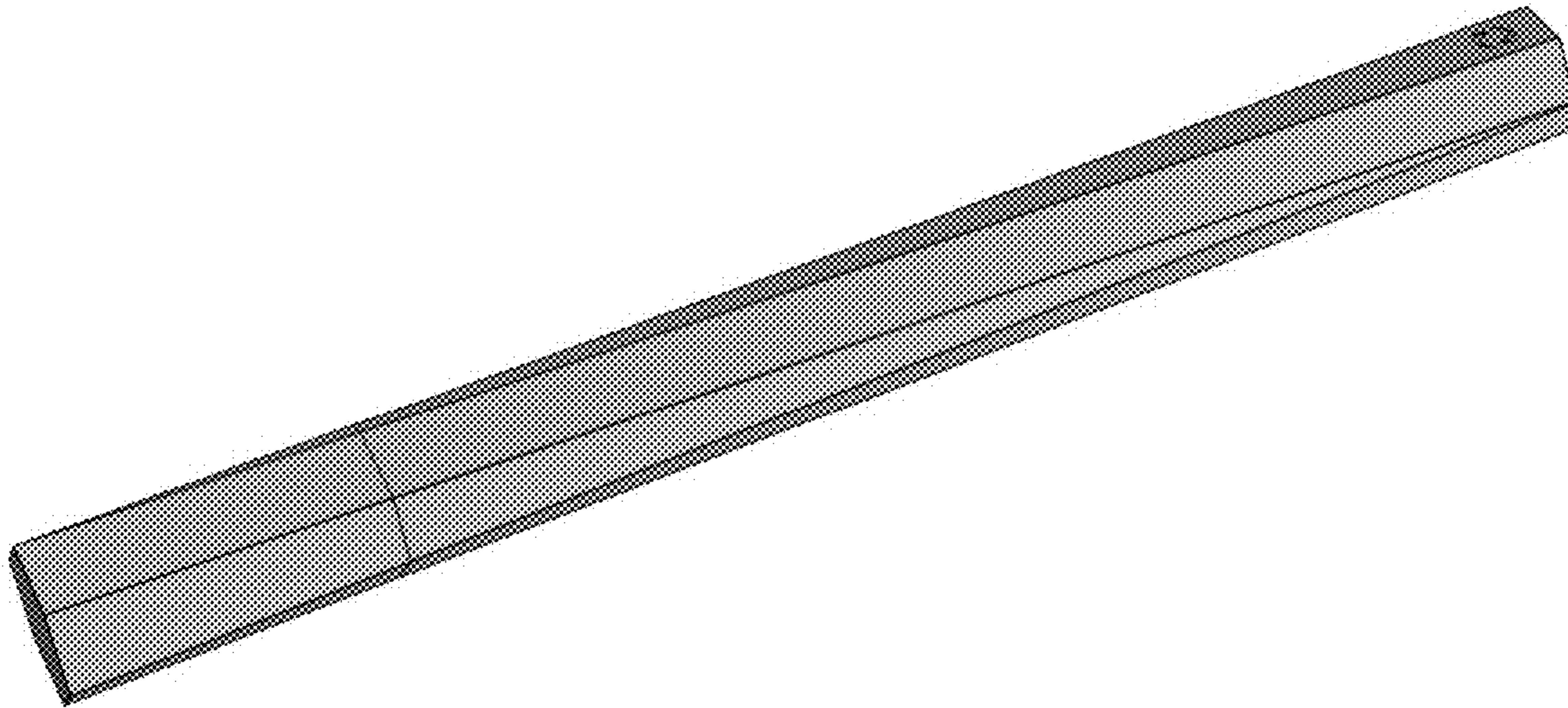
References Cited

U.S. PATENT DOCUMENTS

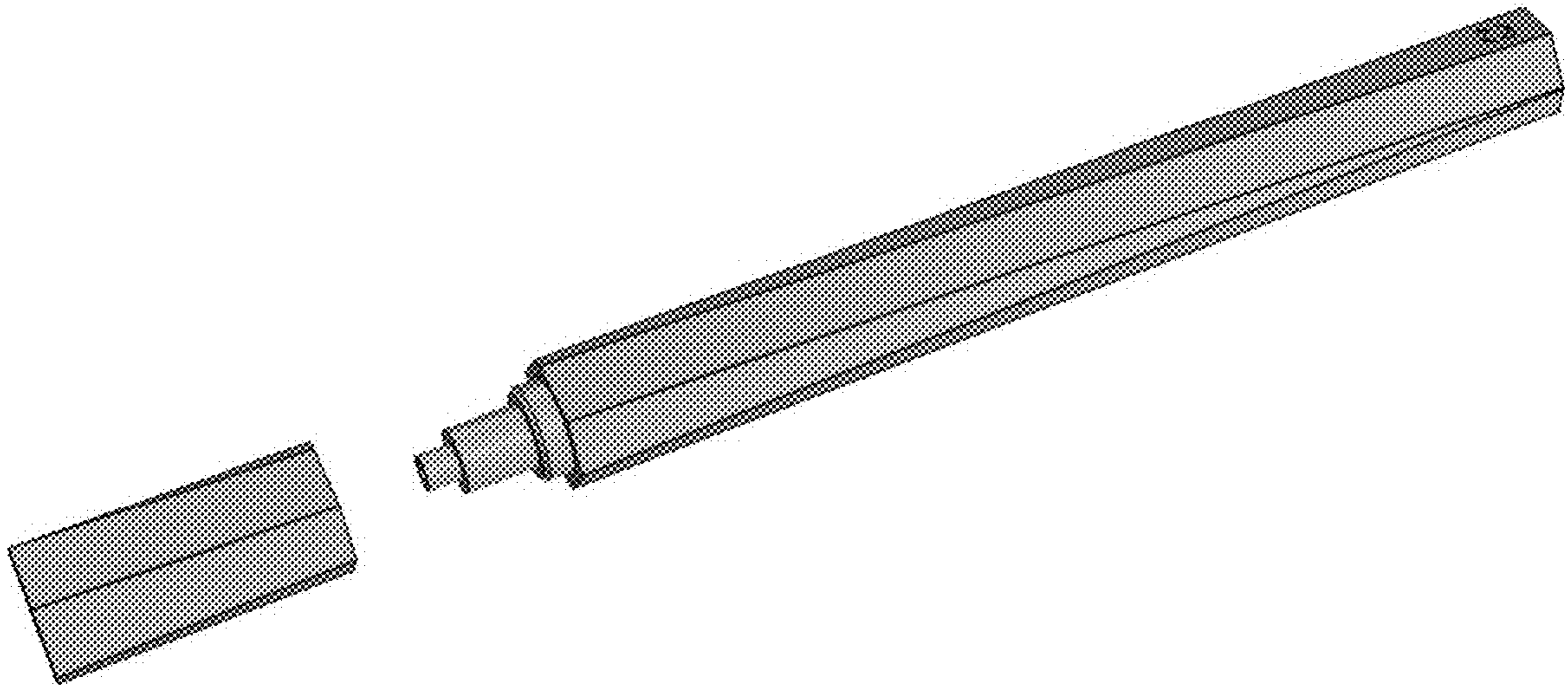
D719,163 S * 12/2014 Dowd D14/411
D757,994 S * 5/2016 Moradian D27/101
D770,453 S * 11/2016 Sumsion D14/411
D805,911 S * 12/2017 Borer D9/561

* cited by examiner

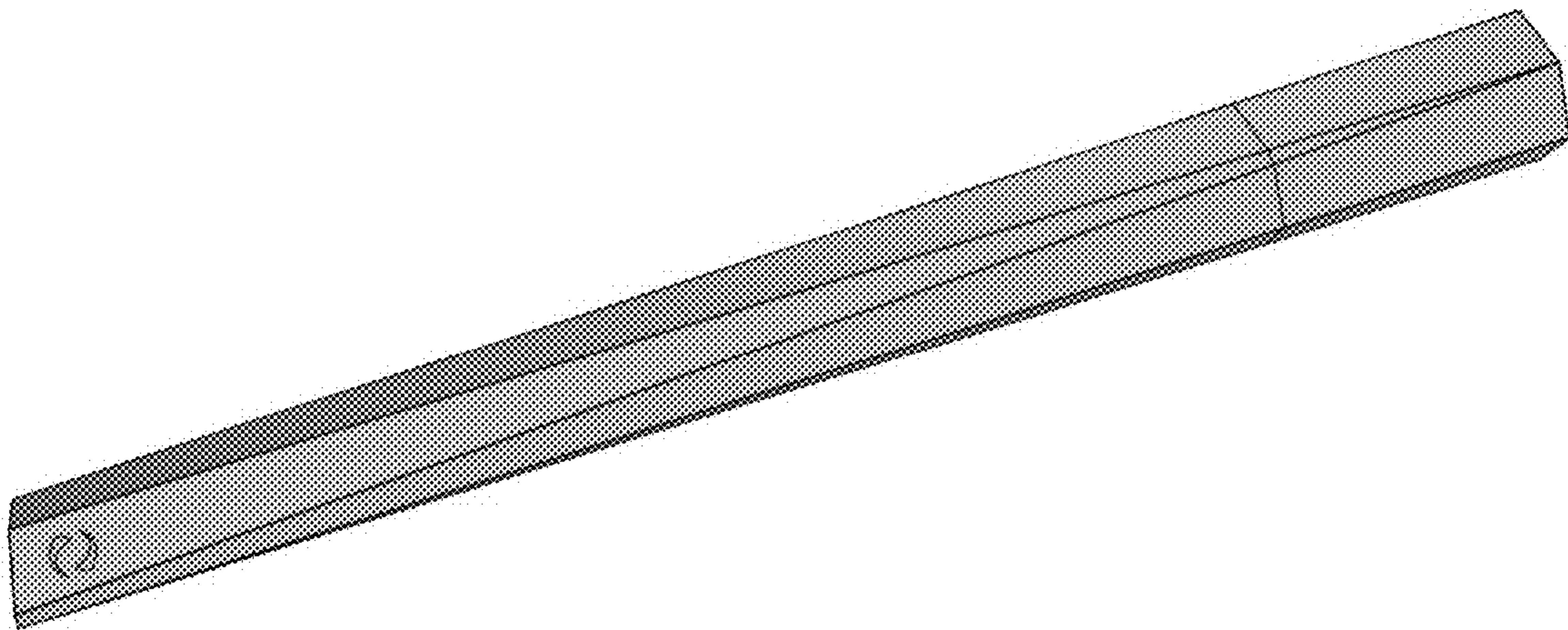
1.1



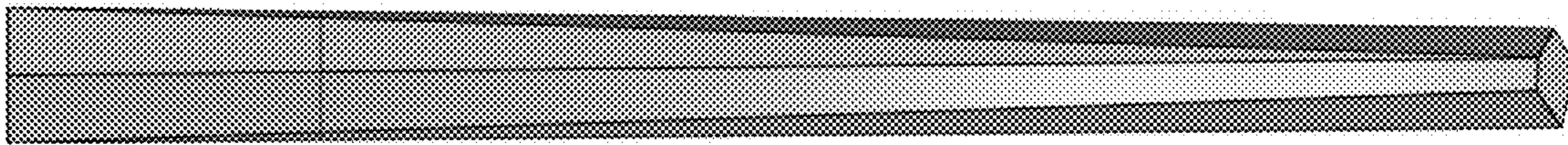
1.2



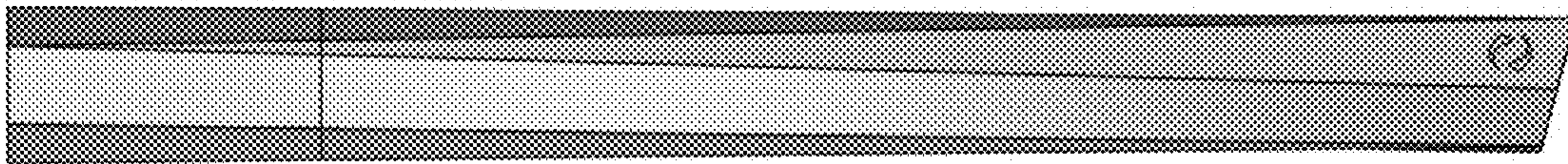
1.3



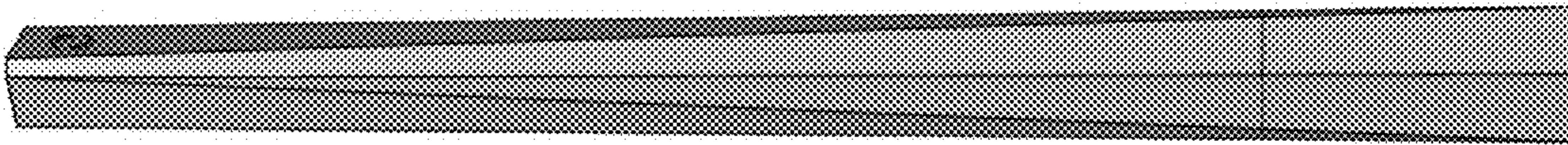
1.4



1.5



1.6



1.7

