



US00D819737S

(12) **United States Design Patent** (10) **Patent No.:** **US D819,737 S**  
**Wei** (45) **Date of Patent:** **\*\* Jun. 5, 2018**

(54) **PEN WITH PEN HOLDER**  
(71) Applicant: **Luo Wei**, Guangdong (CN)  
(72) Inventor: **Luo Wei**, Guangdong (CN)  
(73) Assignee: **SHENZHEN HUION ANIMATION TECHNOLOGY CO. LTD.**, Shenzhen, Guangdong (CN)  
(\*\*) Term: **15 Years**  
(21) Appl. No.: **29/588,949**  
(22) Filed: **Dec. 26, 2016**  
(51) **LOC (11) Cl.** ..... **19-06**  
(52) **U.S. Cl.**  
USPC ..... **D19/84**  
(58) **Field of Classification Search**  
USPC ..... D14/411; D19/115-204, 78, 81-85;  
D9/724, 725; D11/143, 151, 152  
CPC ... B43K 7/12; B43K 8/04; B43K 8/06; B43K  
19/00; B43K 19/02; B43K 19/14; B43K  
21/006; B43K 21/06; B43K 23/06; B43K  
24/08  
See application file for complete search history.

D259,125 S 5/1981 Laughlin  
D274,583 S \* 7/1984 Lafferty ..... D11/148  
D294,263 S \* 2/1988 Rodgers ..... D14/411  
D327,664 S \* 7/1992 Weder ..... D11/152  
D342,642 S \* 12/1993 Brazis ..... D7/316  
D384,907 S \* 10/1997 Moskowitz ..... D11/152  
D394,189 S \* 5/1998 Reynaert ..... D7/523  
6,062,753 A \* 5/2000 Hadtke ..... B29C 45/1676  
401/6  
D428,924 S 8/2000 Brouwer et al.  
D436,887 S \* 1/2001 Fan ..... D11/152  
D453,998 S 1/2001 Brouwer et al.  
D470,532 S 2/2003 Joss et al.  
D489,501 S \* 5/2004 Dretzka ..... D34/1  
D517,867 S \* 3/2006 Bodum ..... D7/597  
(Continued)

**OTHER PUBLICATIONS**

US Trademark Serial No. 86198474; Word Mark—Huion, Jan. 6, 2015.  
(Continued)

*Primary Examiner* — Elizabeth Albert  
(74) *Attorney, Agent, or Firm* — Raj Abhyanker, P.C.

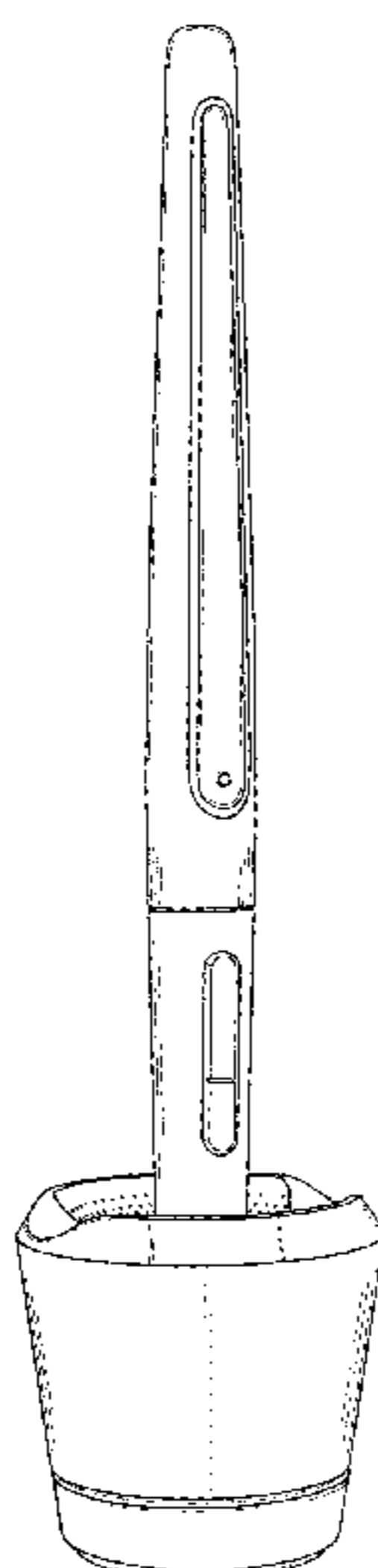
(57) **CLAIM**

The ornamental design for a pen with pen holder, as shown and described.

**DESCRIPTION**

FIG. 1 is a front-left top perspective view for a pen with pen holder, showing my new design;  
FIG. 2 is a front perspective view of FIG. 1 thereof;  
FIG. 3 is a rear perspective view of FIG. 1 thereof;  
FIG. 4 is a left side perspective view of FIG. 1 thereof;  
FIG. 5 is a right side perspective view of FIG. 1 thereof;  
FIG. 6 is a top perspective view of FIG. 1 thereof; and,  
FIG. 7 is a bottom perspective view of FIG. 1 thereof.

**1 Claim, 7 Drawing Sheets**



(56)

**References Cited**

U.S. PATENT DOCUMENTS

D525,306 S	7/2006	Hirota	
D538,992 S *	3/2007	Snell .....	D19/85
D564,939 S *	3/2008	Fan .....	D11/152
8,087,178 B2 *	1/2012	Panno, Jr. ....	B43K 19/14 33/1 K
D676,049 S *	2/2013	Lee .....	D14/411
D686,618 S *	7/2013	Wilson .....	D14/411
D693,730 S *	11/2013	Zak .....	D11/148
D770,231 S *	11/2016	Hume .....	D7/523
D793,395 S *	8/2017	Wei .....	D14/411
2008/0073399 A1	3/2008	Rosenblum	

OTHER PUBLICATIONS

US Trademark Serial No. 87081191; Word Mark—Gaomon, Nov. 22, 2016.  
 US Trademark Serial No. 86557131; Word Mark—Kenting, Nov. 3, 2015.

US Trademark Serial No. 86502803; Word Mark—Litup, Oct. 27, 2015.  
 US Trademark Serial No. 87007346; Word Mark—Inspiroy, Sep. 13, 2016.  
 Pen-68 Professional Pen by Huion, Found online [Feb. 28, 2017] <http://i.ebayimg.com/images/g/smcAAOSwTapV3S2u/s-I500.jpg>.  
 Huion GT-190 by Huion, Found online [Feb. 28, 2017] [http://1.bp.blogspot.com/-95Skzg4tDFY/U2\\_QhOpHbkl/AAAAAAAAAAx/A/J4P3OBvPgaw/s1600/DSC08696.JPG](http://1.bp.blogspot.com/-95Skzg4tDFY/U2_QhOpHbkl/AAAAAAAAAAx/A/J4P3OBvPgaw/s1600/DSC08696.JPG).  
 UG-2150 Pen by Ugee, Found online [Feb. 28, 2017] <http://www.parkablogs.com/sites/default/ugee-hk1560-08a.jpg>.  
 Intuos3 Grip Tablet Pen stand/holder by Wacom, Found online [Feb. 28, 2017] [https://www.shop.bt.com/images/product/uni2/43/43hk\\_xlarge.jpg](https://www.shop.bt.com/images/product/uni2/43/43hk_xlarge.jpg).  
 Pen Stand Holder by Acupress, Found online [Feb. 28, 2017] [https://images-na.ssl-images-amazon.com/images/I/41dEd52oPUL.\\_SL1024\\_.jpg](https://images-na.ssl-images-amazon.com/images/I/41dEd52oPUL._SL1024_.jpg).  
 G-Pen F610 Ultra-Slim Tablet by Genius, Found online [Feb. 28, 2017] [https://images-na.ssl-images-amazon.com/images/I/71nUC4qrUGL.\\_SL1500\\_.jpg](https://images-na.ssl-images-amazon.com/images/I/71nUC4qrUGL._SL1500_.jpg).

\* cited by examiner

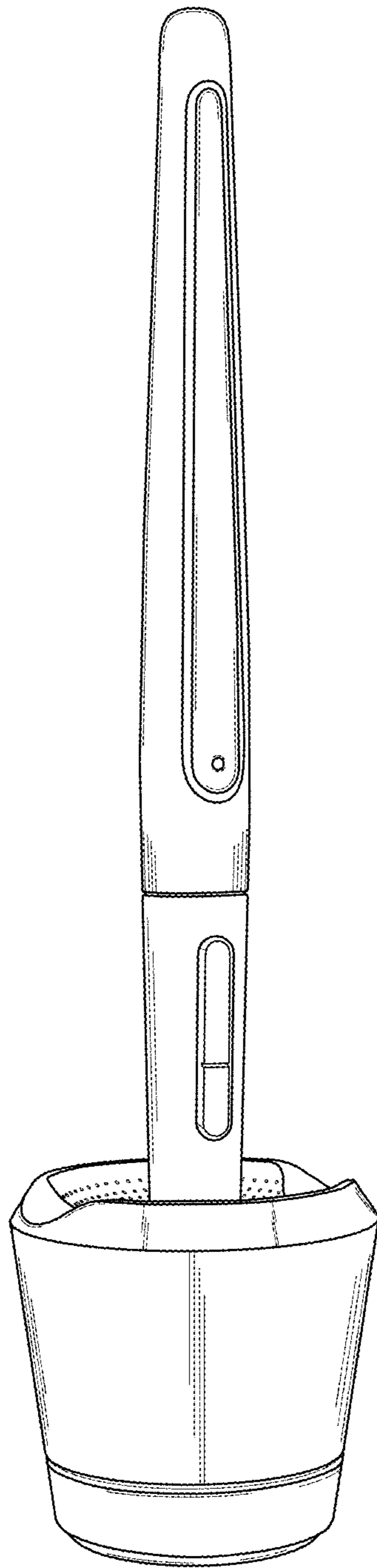
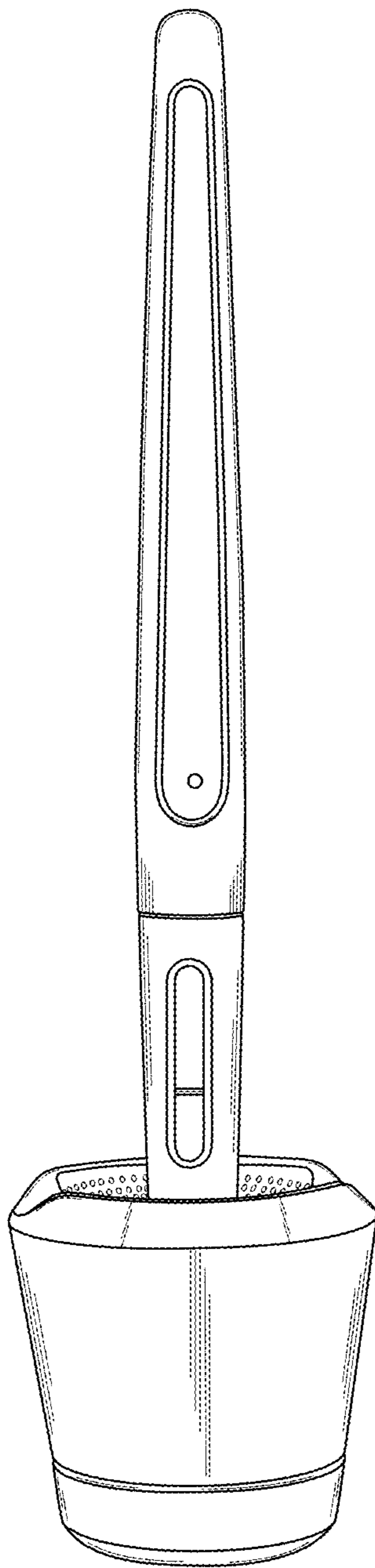
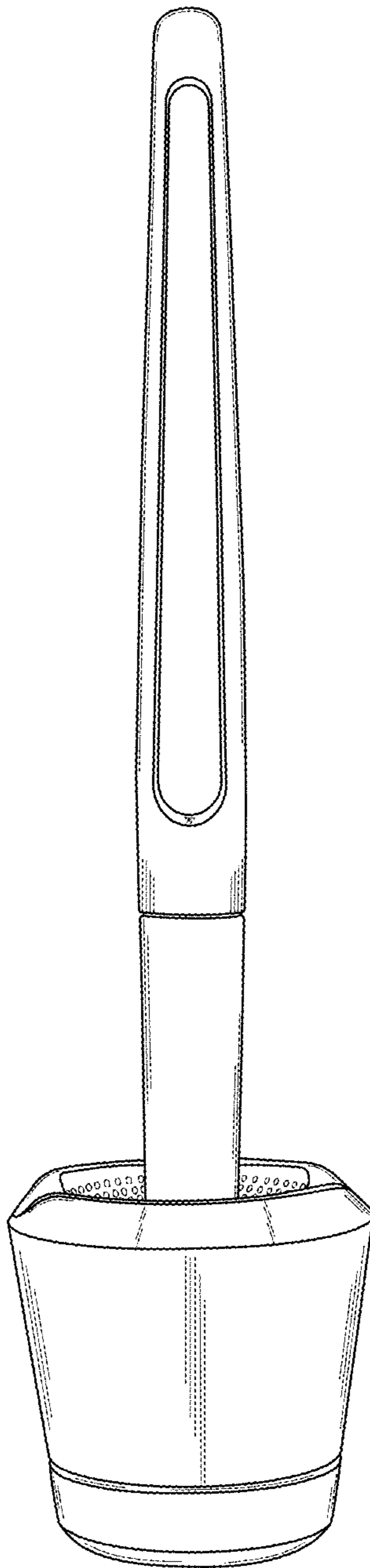


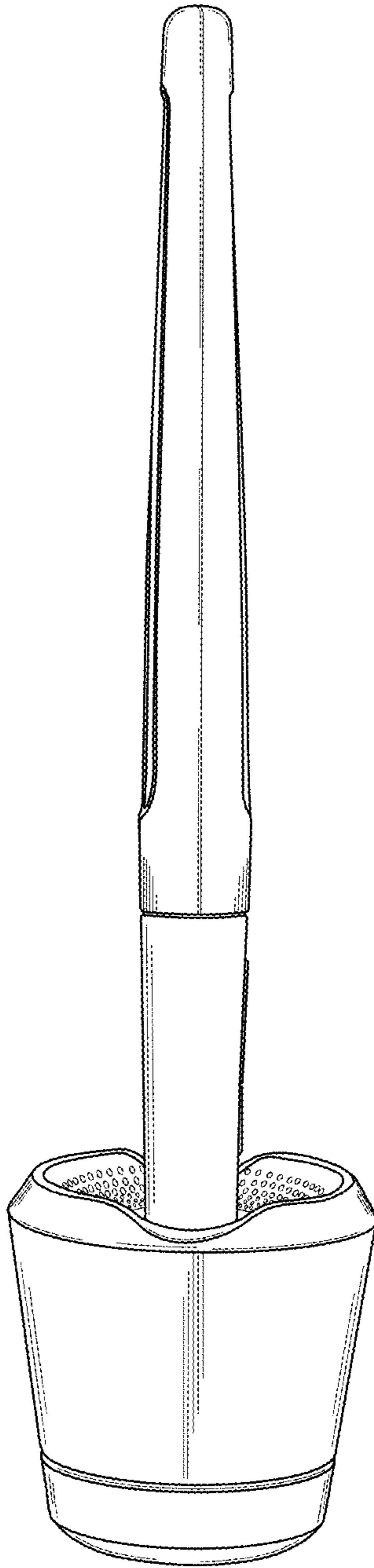
FIG. 1



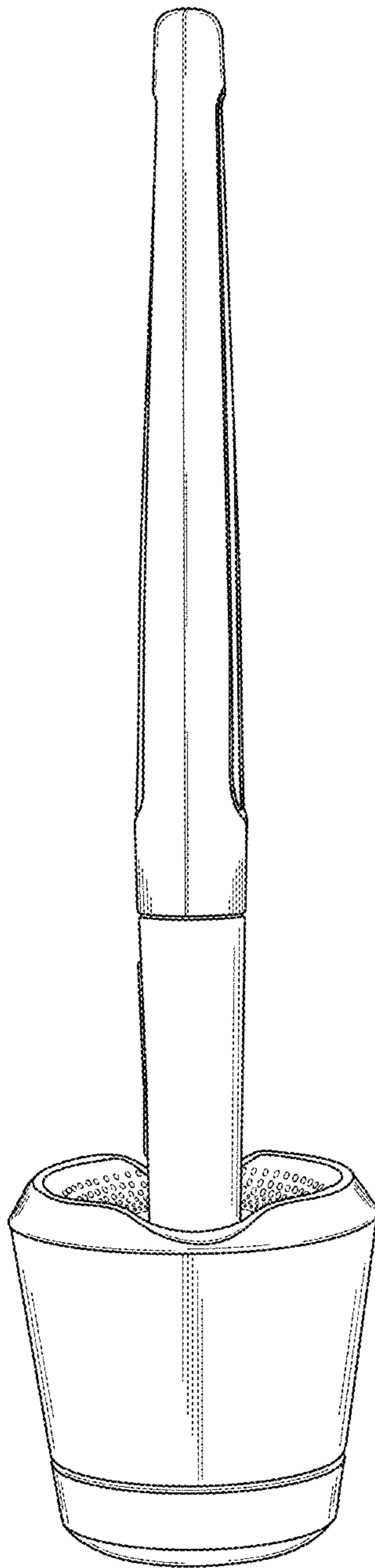
**FIG. 2**



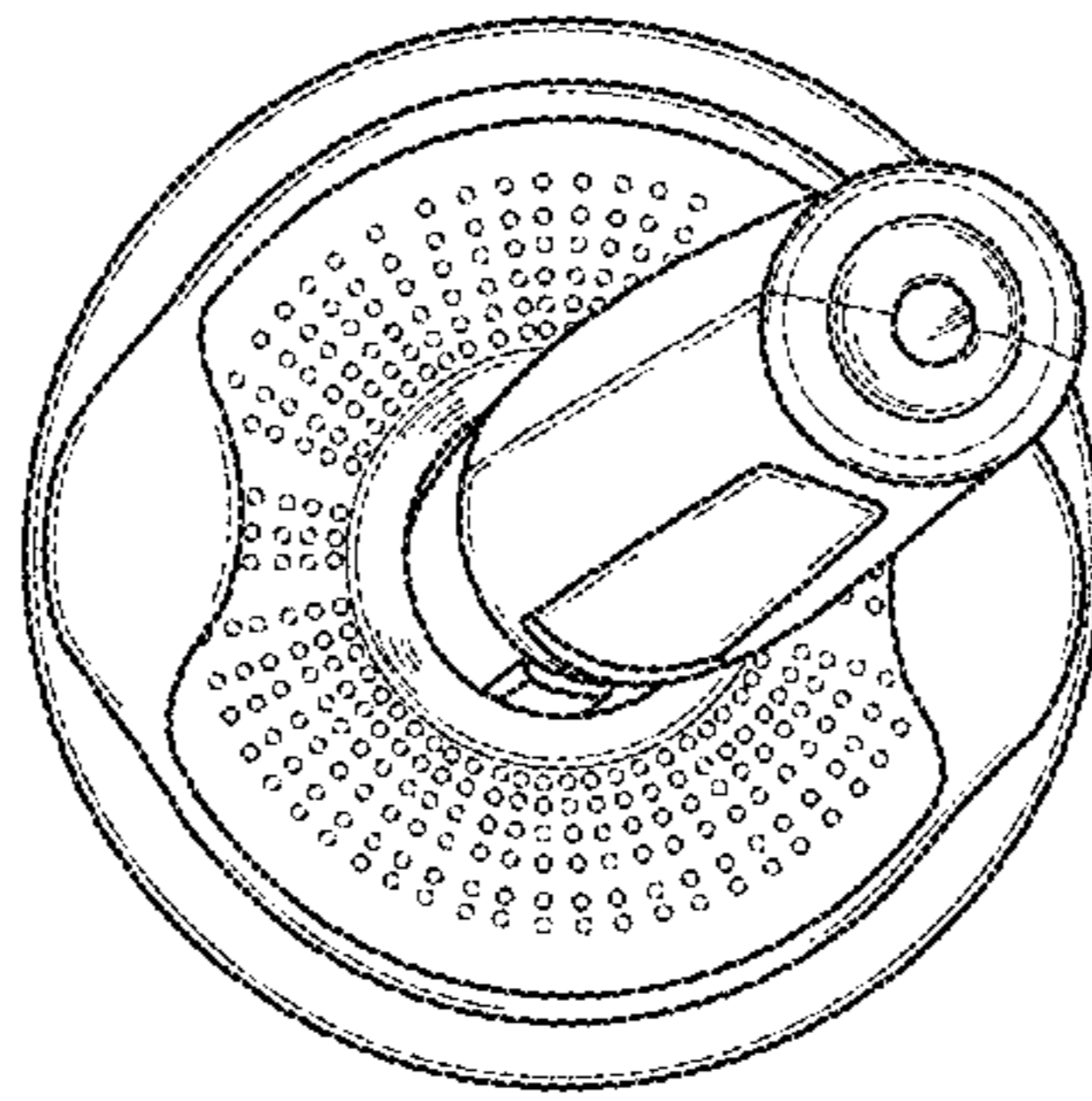
**FIG. 3**



**FIG. 4**

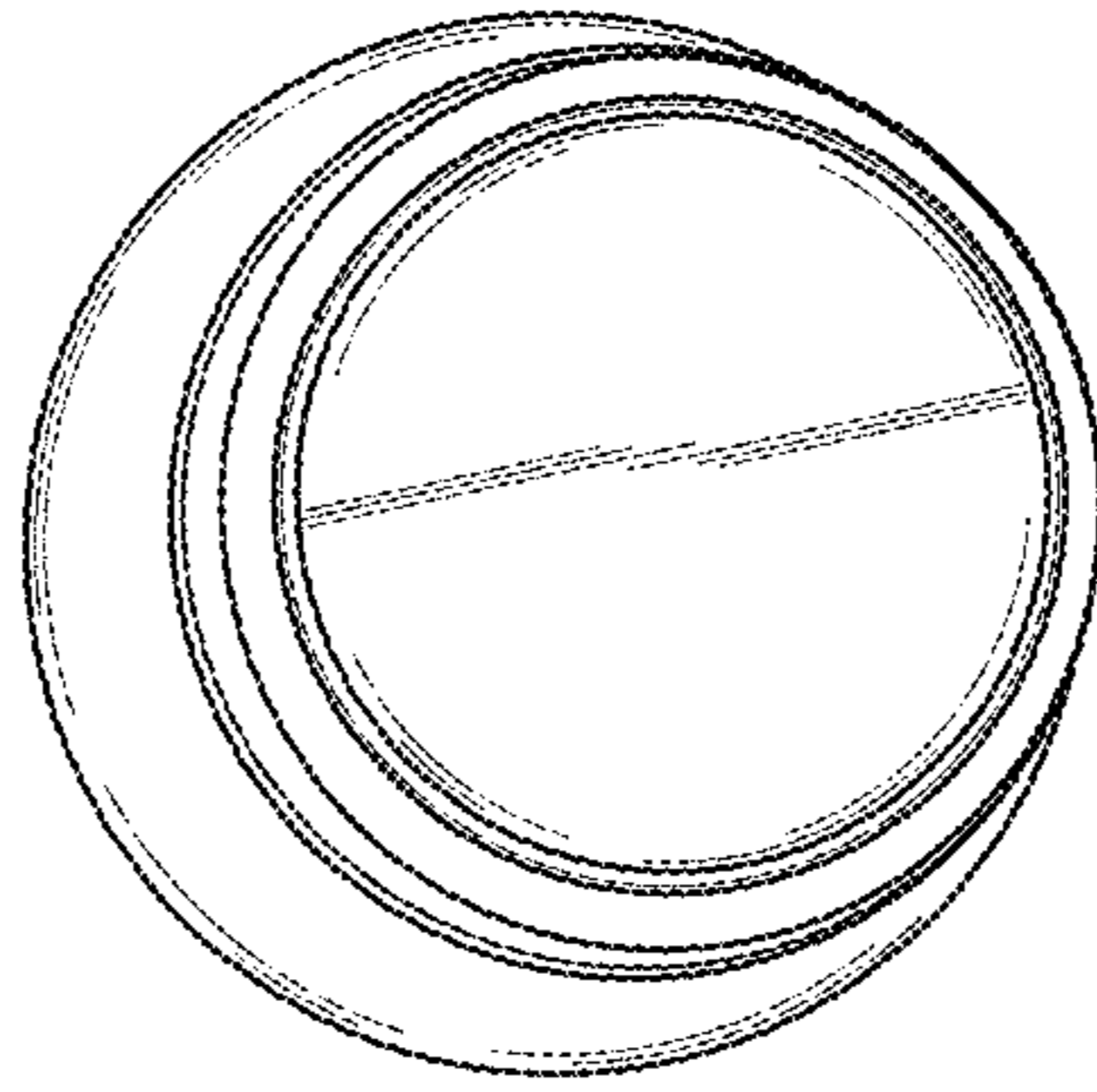


**FIG. 5**



**FIG. 6**





**FIG. 7**