



US00D819735S

(12) **United States Design Patent** (10) **Patent No.:** **US D819,735 S**
Enterline (45) **Date of Patent:** **** Jun. 5, 2018**

(54) **DAUBER**

(71) Applicant: **Maugus Manufacturing, Inc.,**
Lancaster, PA (US)
(72) Inventor: **Jason M. Enterline,** Columbia, PA
(US)
(73) Assignee: **Maugus Manufacturing, Inc.,**
Lancaster, PA (US)
(**) Term: **15 Years**
(21) Appl. No.: **29/587,817**

(22) Filed: **Dec. 15, 2016**
(51) **LOC (11) Cl.** **19-99**
(52) **U.S. Cl.**
USPC **D19/66**
(58) **Field of Classification Search**
USPC D32/40, 42, 51; D9/726; D24/114, 116,
D24/119, 124, 176; D19/65, 66, 70, 99;
D28/7, 63, 64.4, 91.2
CPC B65D 51/32; C09J 9/005; C09J 107/00
See application file for complete search history.

(56) **References Cited**

U.S. PATENT DOCUMENTS

1,618,977 A * 3/1927 Codina B43M 11/06
401/129
D181,696 S * 12/1957 Williams D32/51
2,975,452 A * 3/1961 Doull A47L 23/04
15/209.1
D277,512 S * 2/1985 Colognori D28/63
D280,448 S * 9/1985 Colognori D24/211
D294,073 S * 2/1988 Lin D32/51
2009/0092436 A1 * 4/2009 Mercier B65D 51/32
401/122

OTHER PUBLICATIONS

Dauber| Dauber Screw Lid| posted at Alibaba.com, transaction date posted on Dec. 10, 2015, © 2017 Alibaba.com, [online], [site visited Aug. 29, 2017]. Available from Internet, <URL: https://www.alibaba.com/product-detail/Dauber-cap-cans-adhesive-tin-cans_549613977.html>.*

* cited by examiner

Primary Examiner — Cynthia Ramirez

Assistant Examiner — Andrew Kerr

(74) *Attorney, Agent, or Firm* — Barley Snyder

(57) **CLAIM**

The ornamental design for a dauber, as shown and described.

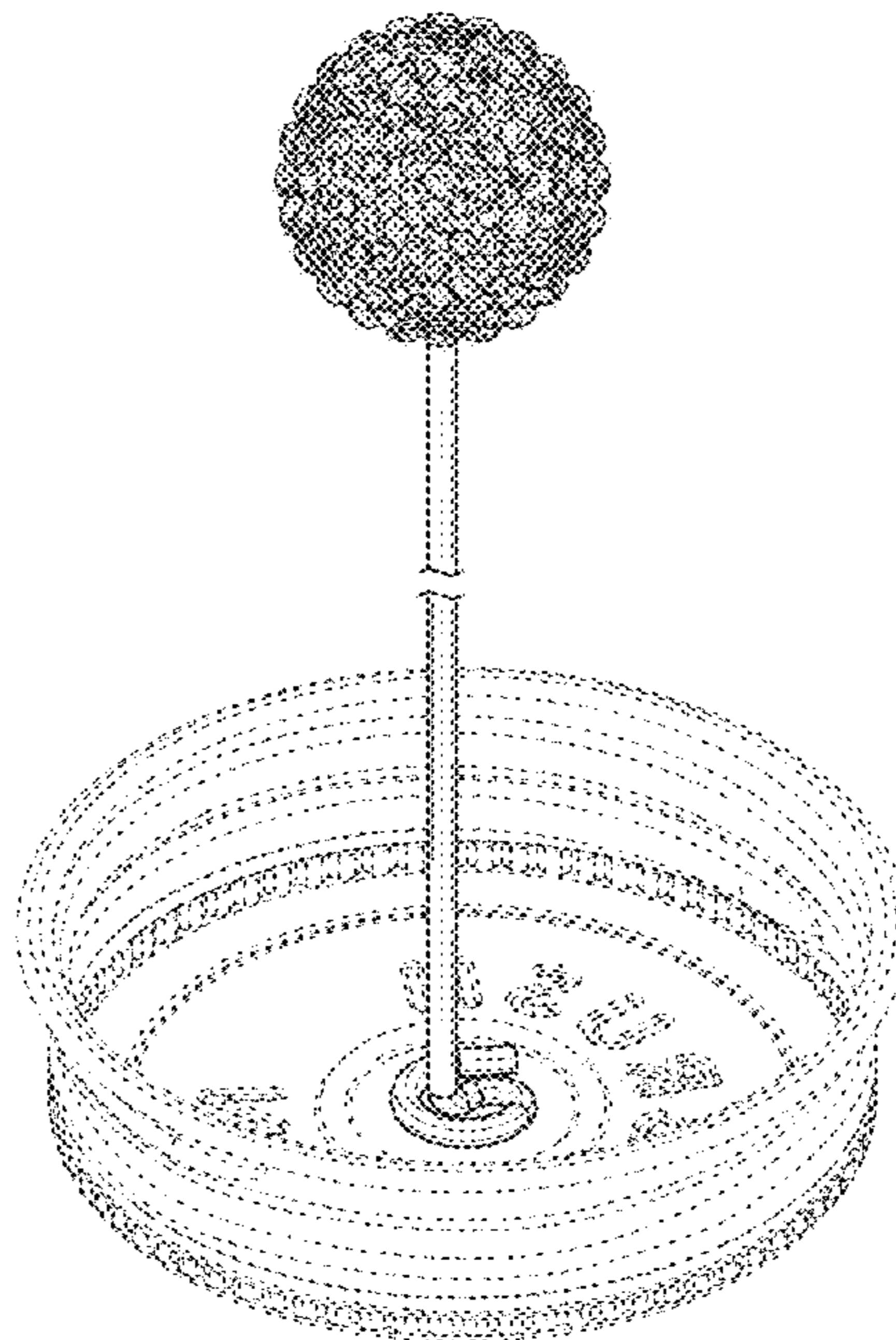
DESCRIPTION

FIG. 1 is a front, top and right side perspective view of a dauber showing my new design;
FIG. 2 is a right side elevational view thereof;
FIG. 3 is a left side elevational view thereof;
FIG. 4 is a rear elevational view thereof;
FIG. 5 is a front elevational view thereof;
FIG. 6 is a top plan view thereof;
FIG. 7 is a bottom plan view thereof; and,
FIG. 8 is a front, bottom and right side perspective view thereof.

The broken lines shown in the drawings depict portions of the dauber that form no part of the claimed design.

The dauber is shown with a symbolic break in its length. The appearance of any portion of the article between the break lines forms no part of the claimed design.

1 Claim, 4 Drawing Sheets



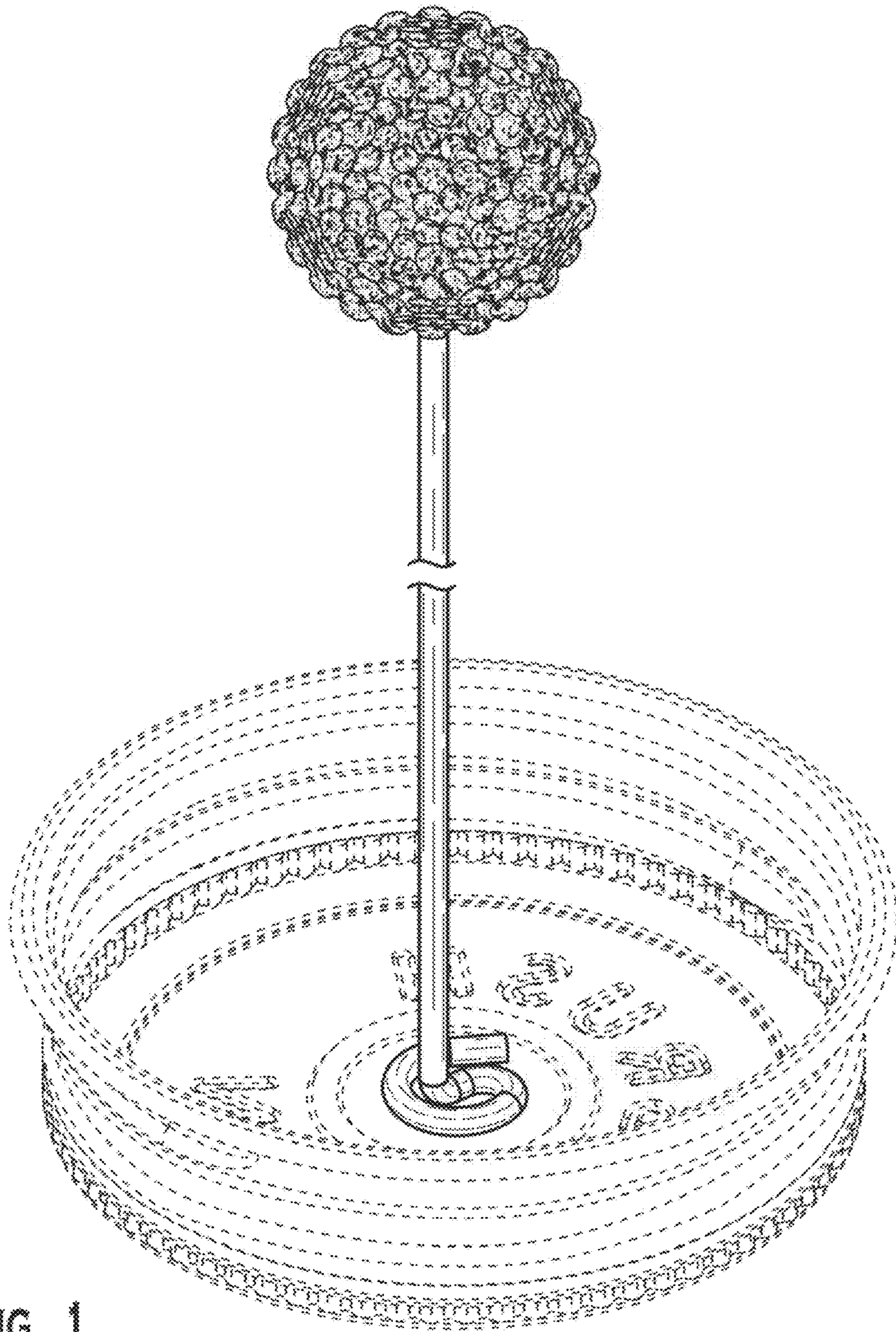


FIG. 1

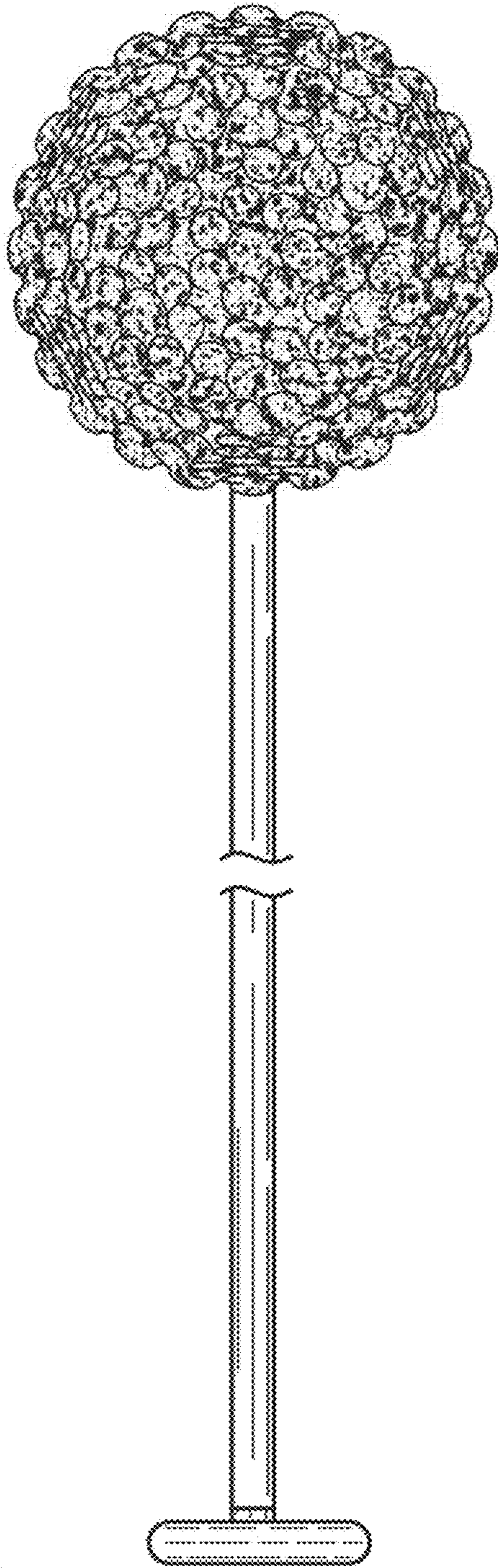


FIG. 2

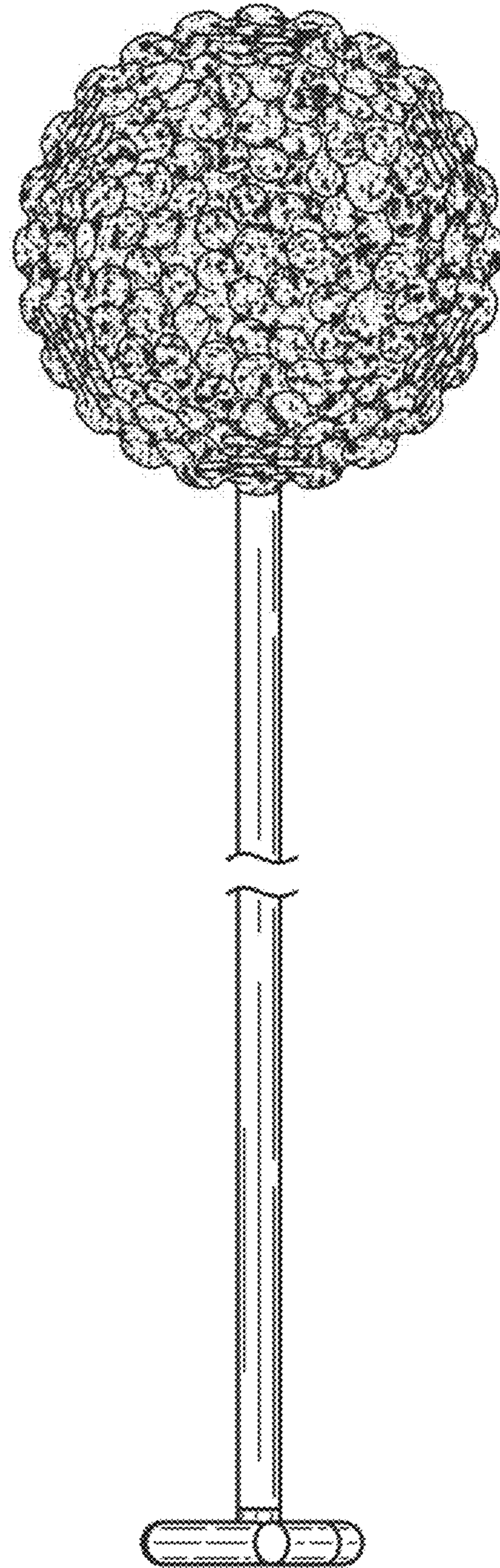


FIG. 3

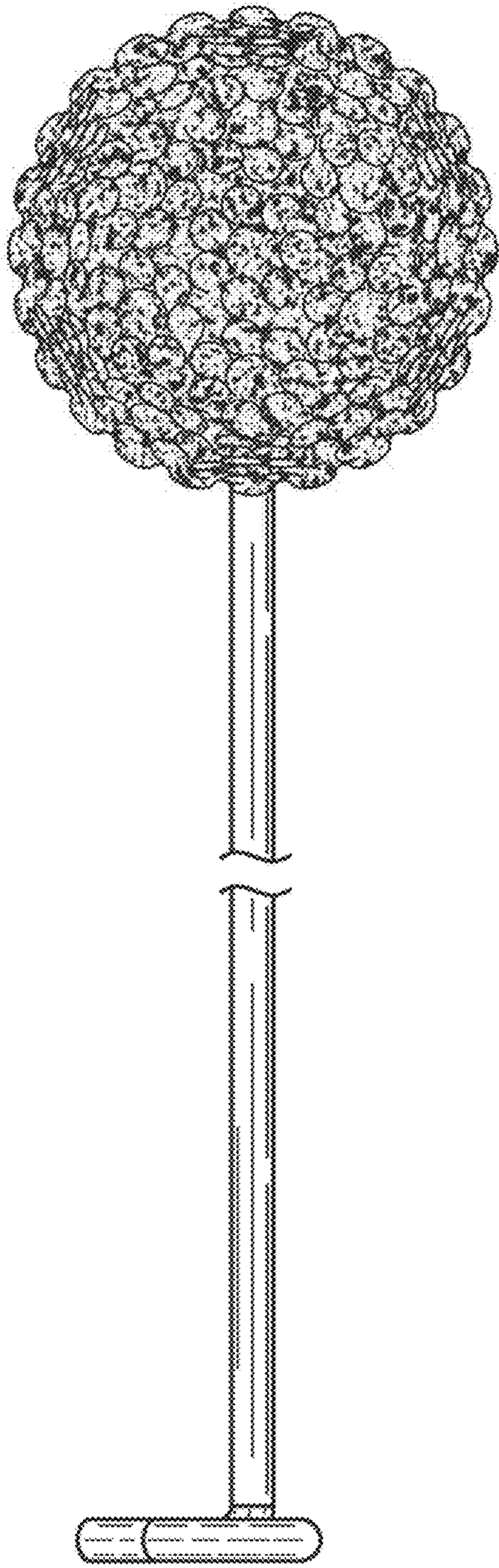


FIG. 4

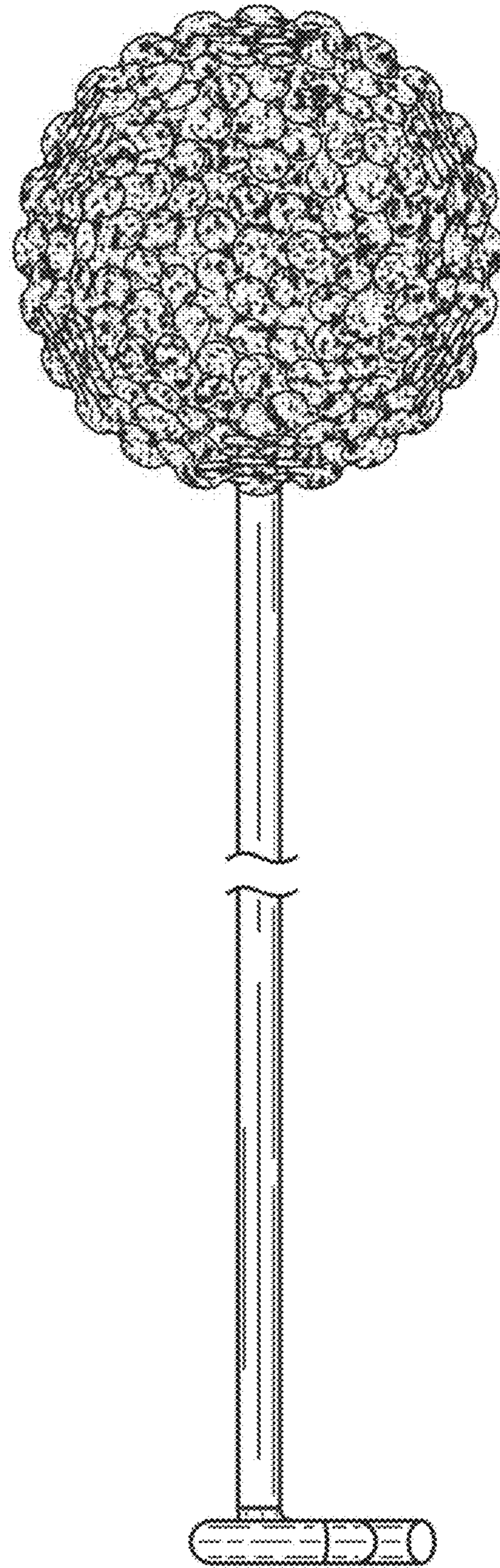


FIG. 5

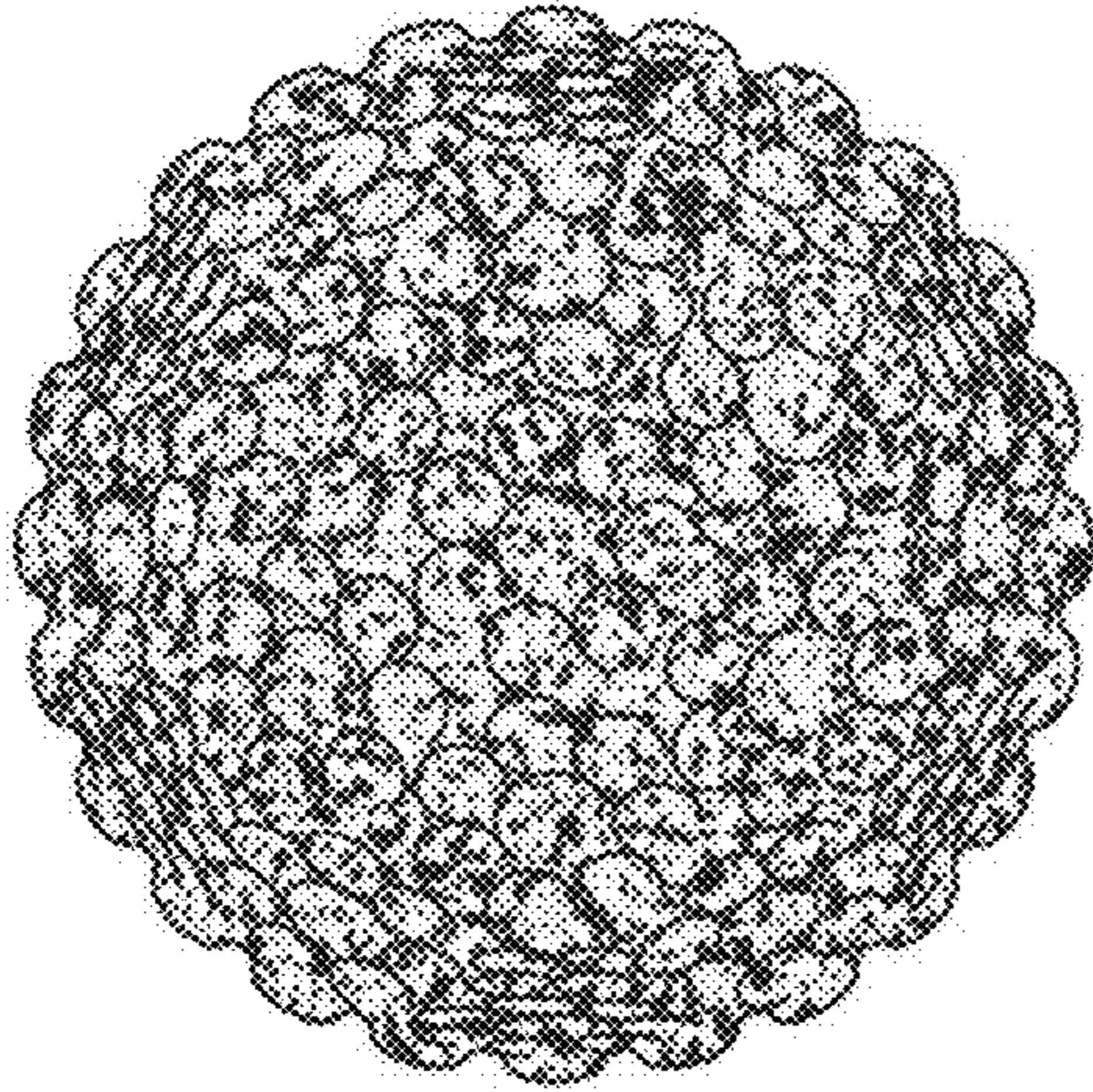


FIG. 6

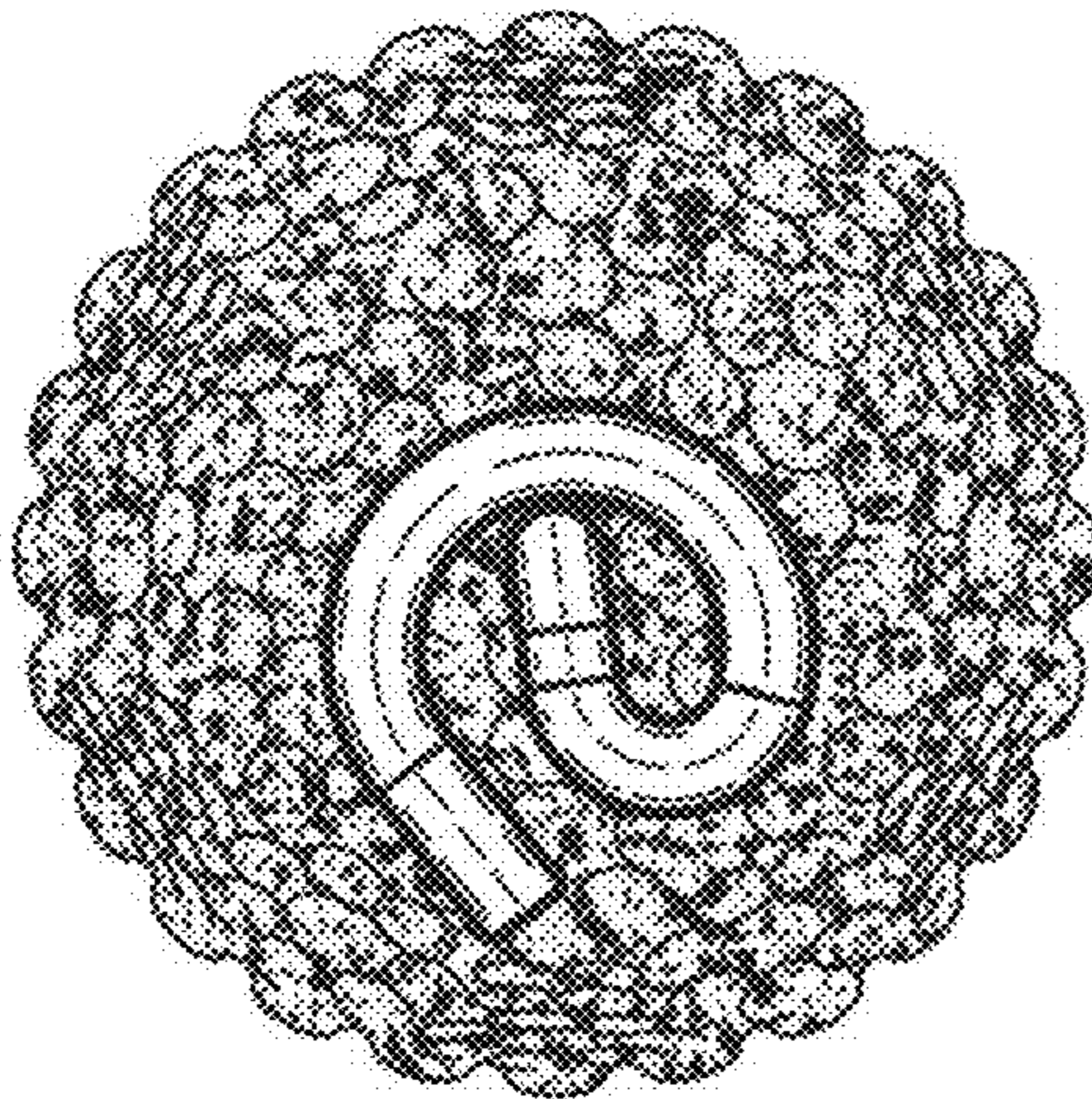


FIG. 7

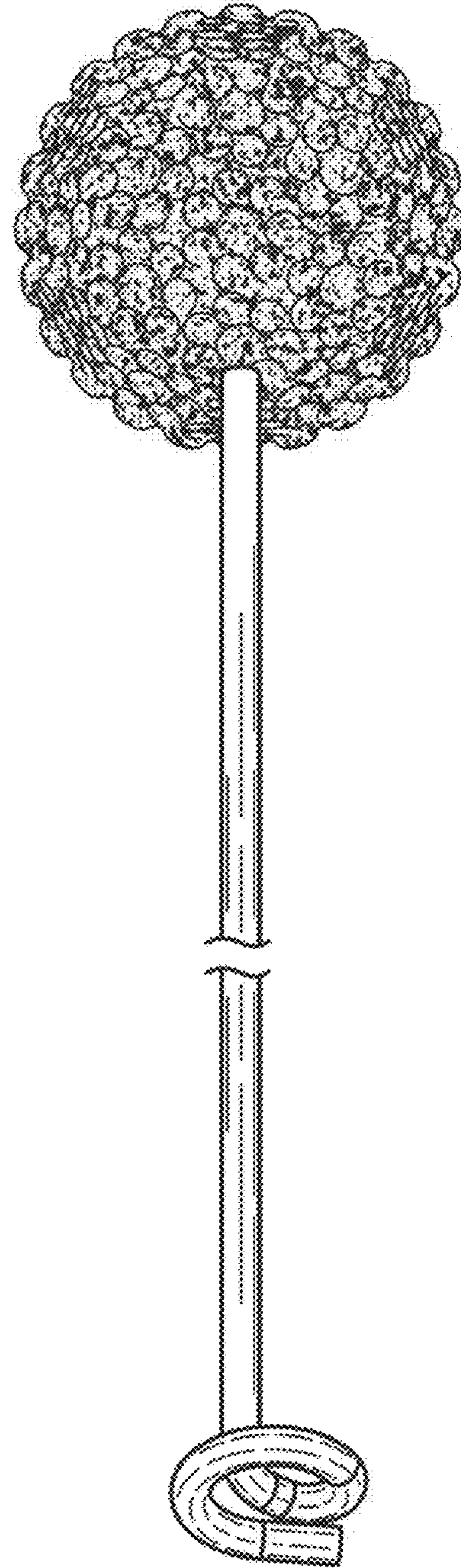


FIG. 8