



US00D819732S

(12) **United States Design Patent**
Nilsson et al.

(10) **Patent No.:** **US D819,732 S**
(45) **Date of Patent:** **** Jun. 5, 2018**

(54) **BOOK END**

(71) Applicant: **Elfa International AB**, Västervik (SE)

(72) Inventors: **Peter Nilsson**, Västervik (SE); **Johan Andersson**, Västervik (SE)

(73) Assignee: **Elfa International AB**, Västervik (SE)

(**) Term: **15 Years**

(21) Appl. No.: **29/579,300**

(22) Filed: **Sep. 29, 2016**

(30) **Foreign Application Priority Data**

Mar. 31, 2016 (EM) 003050848

(51) **LOC (11) Cl.** **06-06**

(52) **U.S. Cl.**
USPC **D19/34.1**

(58) **Field of Classification Search**
USPC D19/34.1–34.5, 90, 91, 100; D6/706
CPC A47B 57/58; A47B 65/20; A47B 65/15
See application file for complete search history.

(56) **References Cited**

U.S. PATENT DOCUMENTS

- 305,863 A * 9/1884 Campbell A47B 57/58
108/61
- 679,054 A * 7/1901 Merola A47F 5/005
211/184
- 3,501,019 A 3/1970 Armstrong
- 3,559,815 A 2/1971 Huddleston
- 4,327,838 A * 5/1982 Cooke A47B 57/586
108/61
- D285,152 S * 8/1986 Smith D19/34.1
- D308,394 S * 6/1990 Smith D19/34.1
- 5,072,835 A * 12/1991 Price, Jr. G11B 23/0236
206/387.15
- D331,599 S * 12/1992 Lushington D19/32
- D540,859 S * 4/2007 Weiler D19/34.1
- D566,760 S * 4/2008 Cristofaro D19/32
- D635,379 S * 4/2011 Klein D6/706
- D685,215 S * 7/2013 Berger D6/706

(Continued)

FOREIGN PATENT DOCUMENTS

DE 2910766 A1 * 10/1980 A47B 65/00
DE 19929144 A1 * 12/2000 A47B 65/00

(Continued)

OTHER PUBLICATIONS

The Container Store. <URL: <https://www.containerstore.com/s/elfa/components/elfa-solid-shelving/platinum-elfa-solid-shelf-book-supports/123d?productId=10031762>.> Jan. 26, 2012. Shelf Book Supports.*

(Continued)

Primary Examiner — Bridget L Eland

Assistant Examiner — Lauren McVey

(74) *Attorney, Agent, or Firm* — Hubbard Johnston, PLLC

(57) **CLAIM**

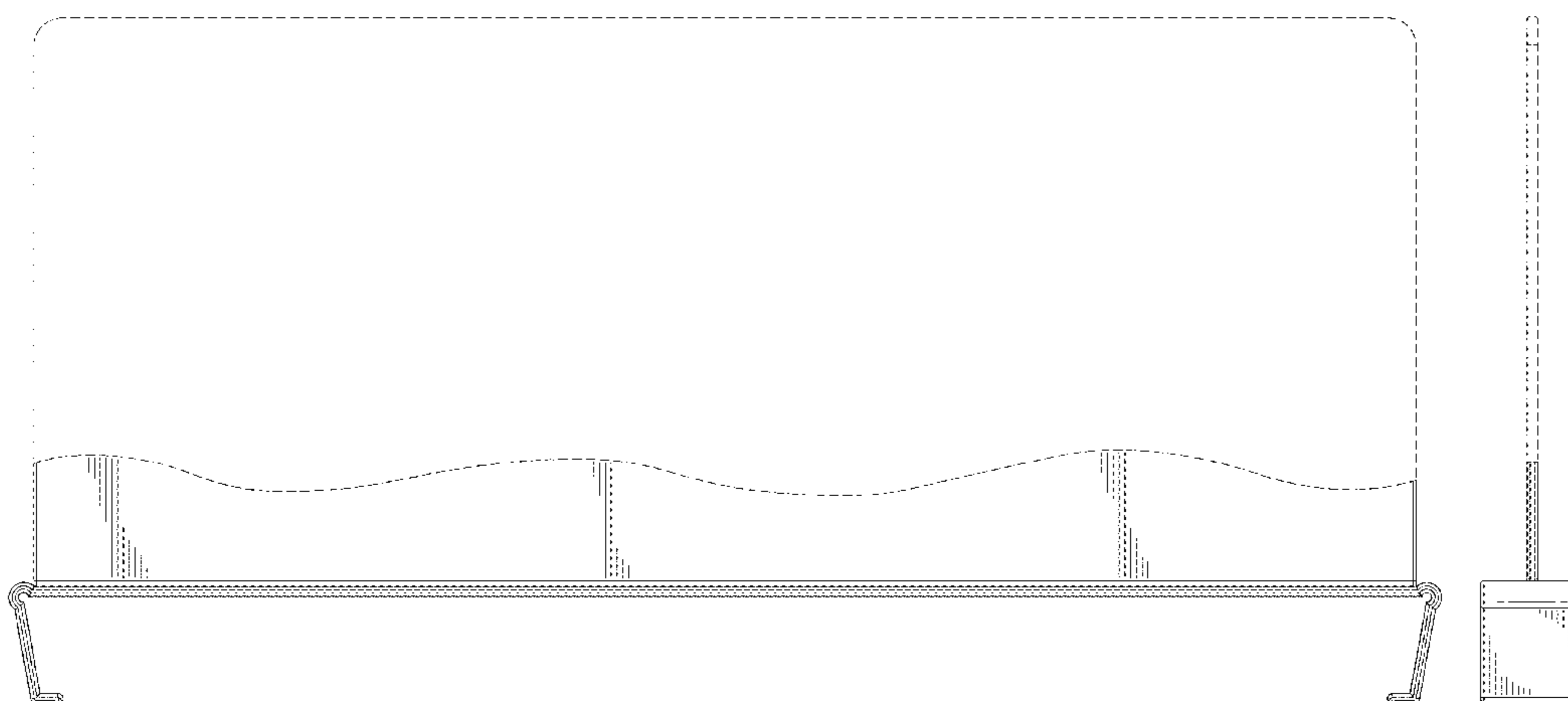
The ornamental design for a book end, as shown and described.

DESCRIPTION

FIG. 1 is a top front perspective view of a book end, showing our new design;
FIG. 2 is a left side elevation view thereof;
FIG. 3 is a right side elevation view thereof;
FIG. 4 is a rear elevation view thereof;
FIG. 5 is a top plan view thereof;
FIG. 6 is a bottom plan view thereof; and,
FIG. 7 is another top front perspective view thereof, shown with additional environment.

The broken lines immediately adjacent the shaded areas represent the bounds of the claimed design while all other broken lines are directed to environment; the broken lines form no part of the claimed design.

1 Claim, 6 Drawing Sheets



(56)

References Cited

U.S. PATENT DOCUMENTS

D707,994 S * 7/2014 Le D6/706
D760,519 S * 7/2016 Le D6/706
2013/0020270 A1 1/2013 Valiulis
2014/0305889 A1 10/2014 Vogler

FOREIGN PATENT DOCUMENTS

EM 003050848-0001 * 4/2016
ES WO 2006056631 A1 * 6/2006 A47B 65/15
GB 998346 A * 7/1965 A47B 65/00
SE EP 3225138 A1 * 10/2017 A47B 5/005

OTHER PUBLICATIONS

European Patent Office, Partial European Search Report, European Patent Application No. 16163244.3-1653, Sep. 20, 2016.

* cited by examiner

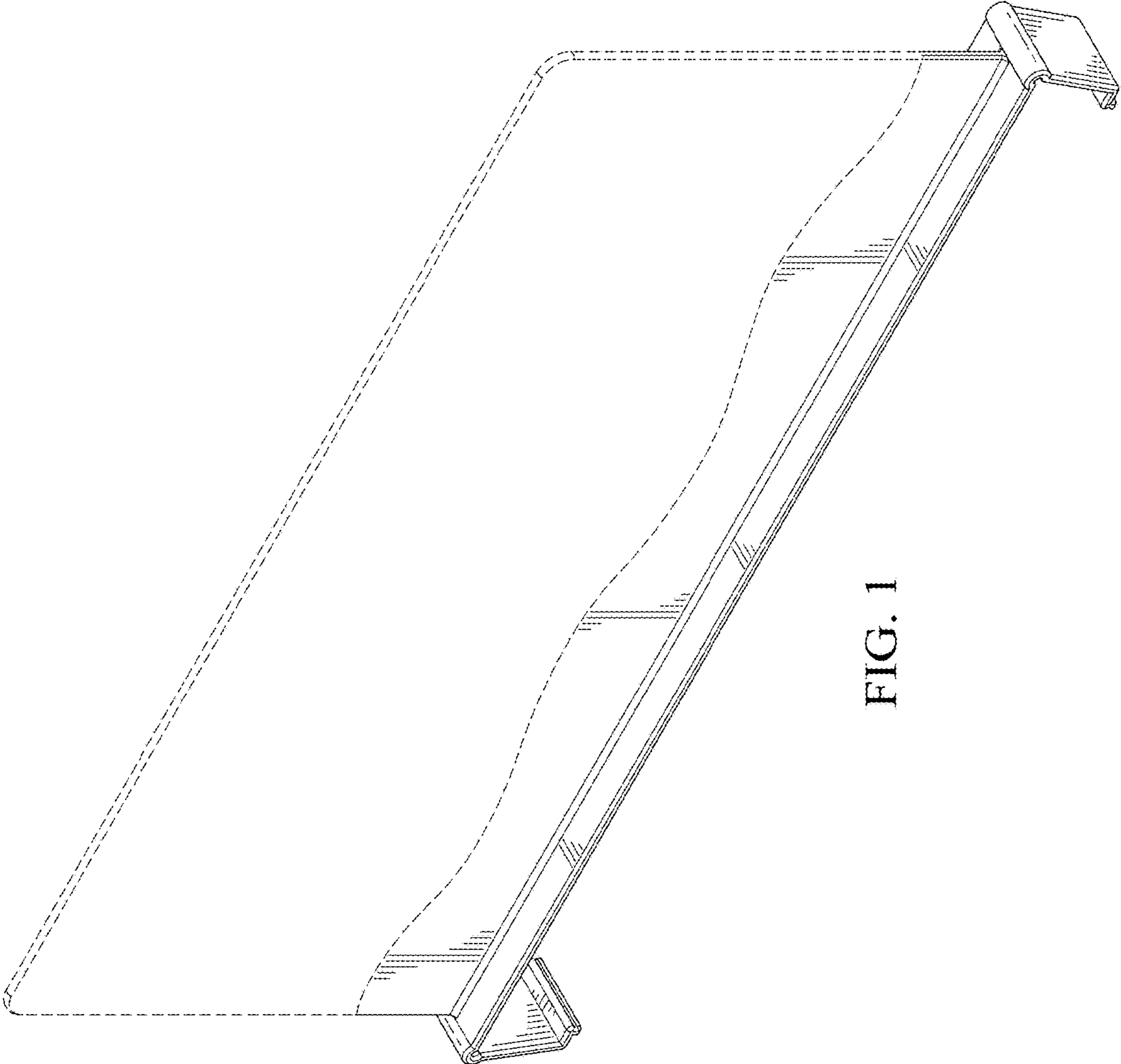


FIG. 1

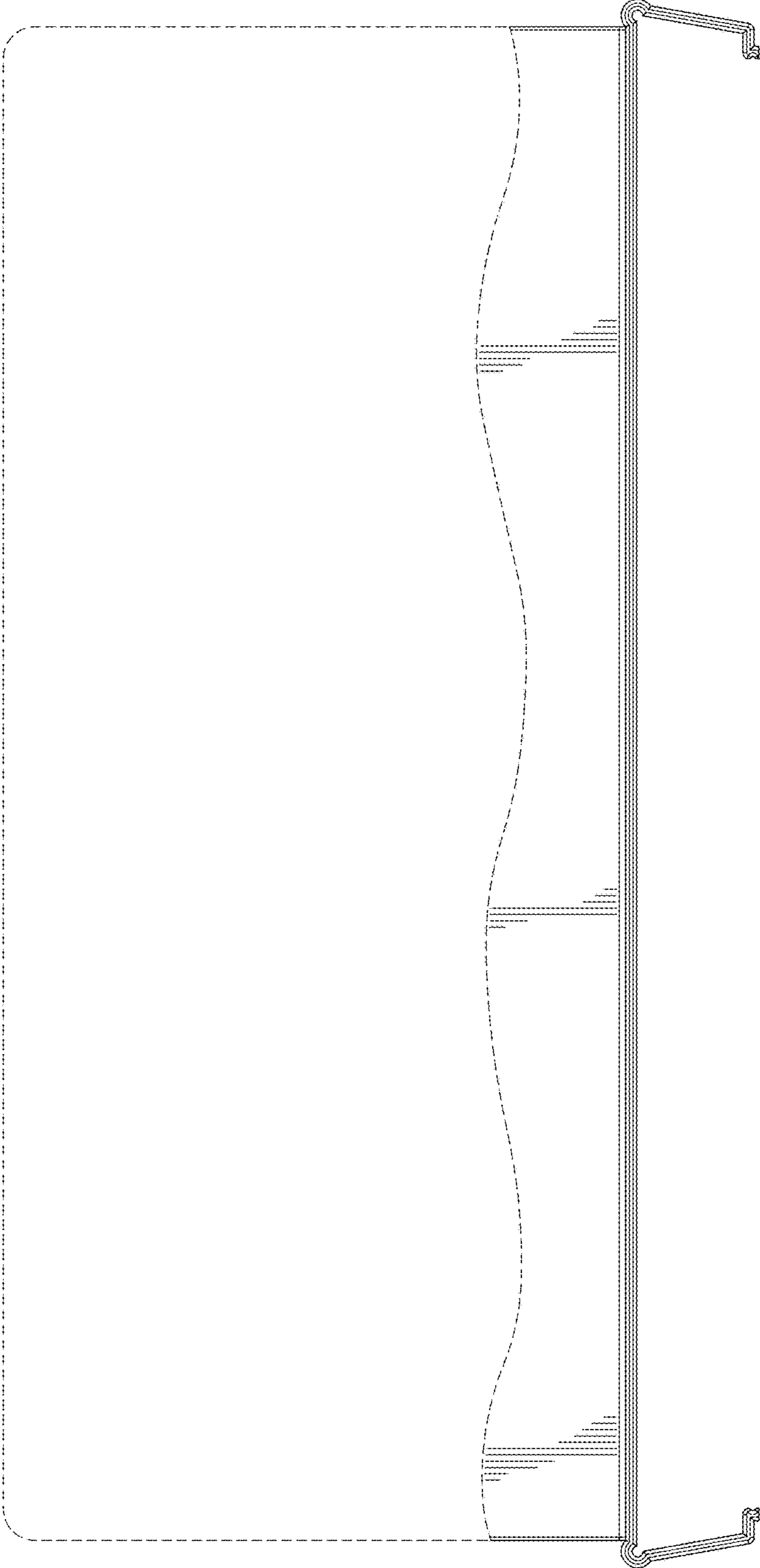


FIG. 2

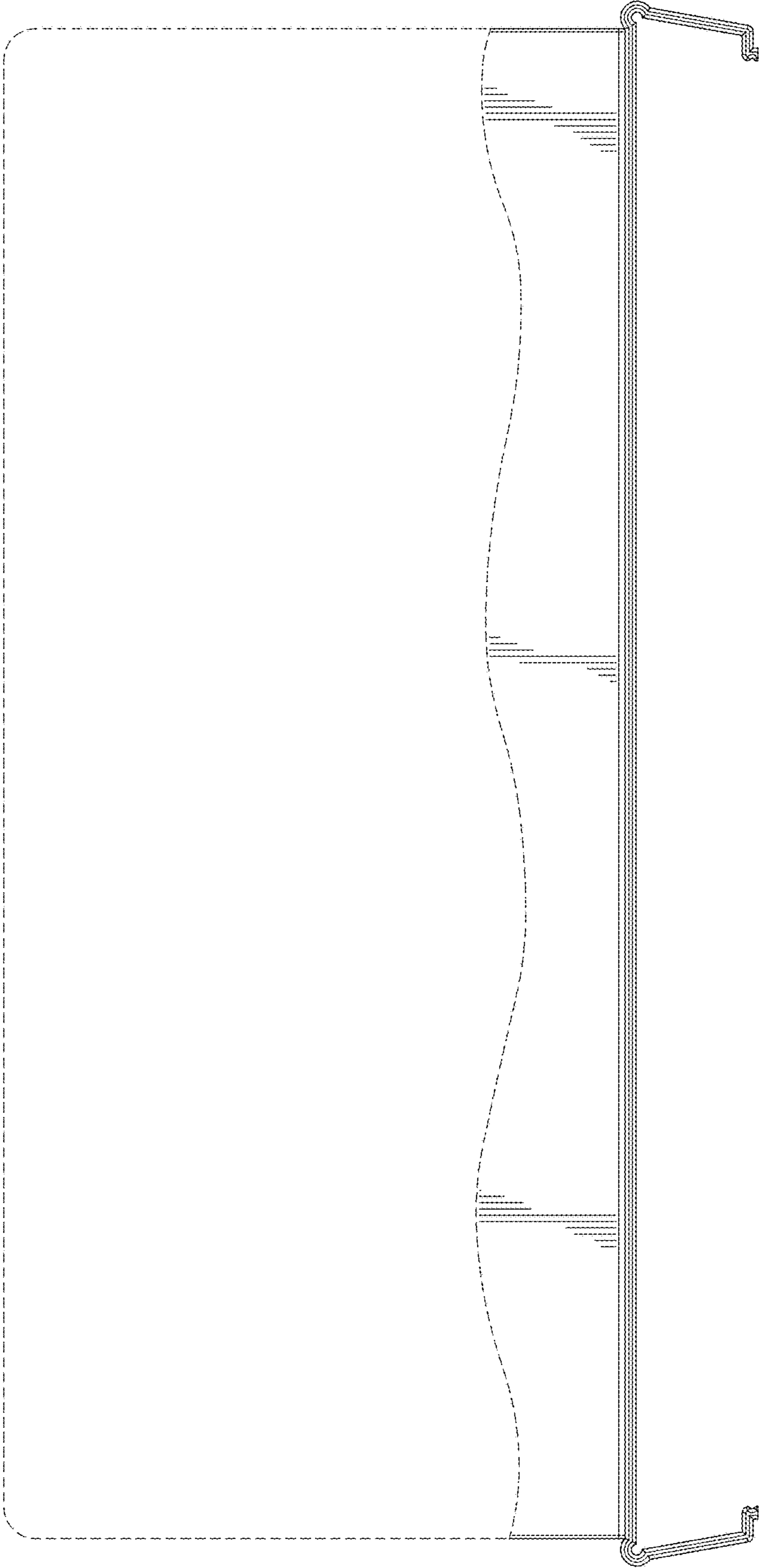


FIG. 3

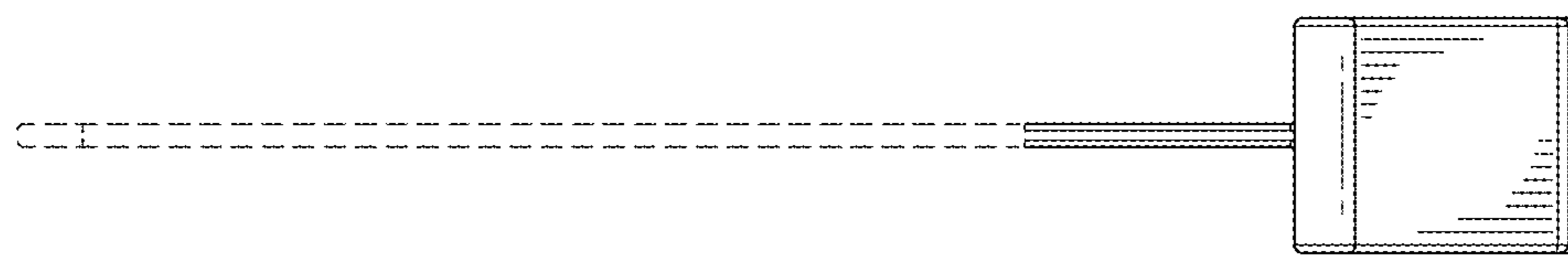


FIG. 4

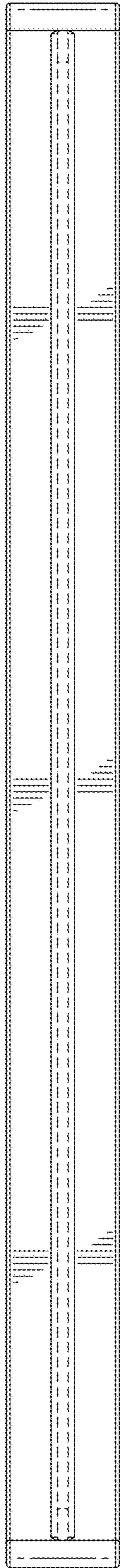


FIG. 5

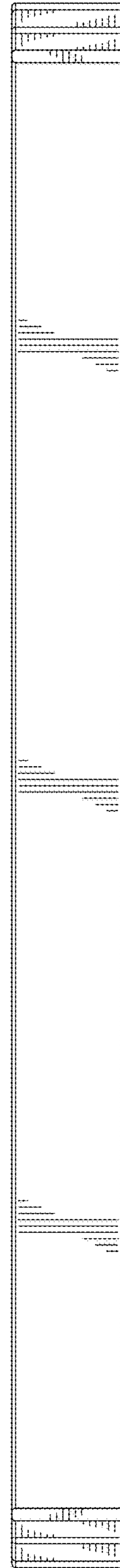


FIG. 6

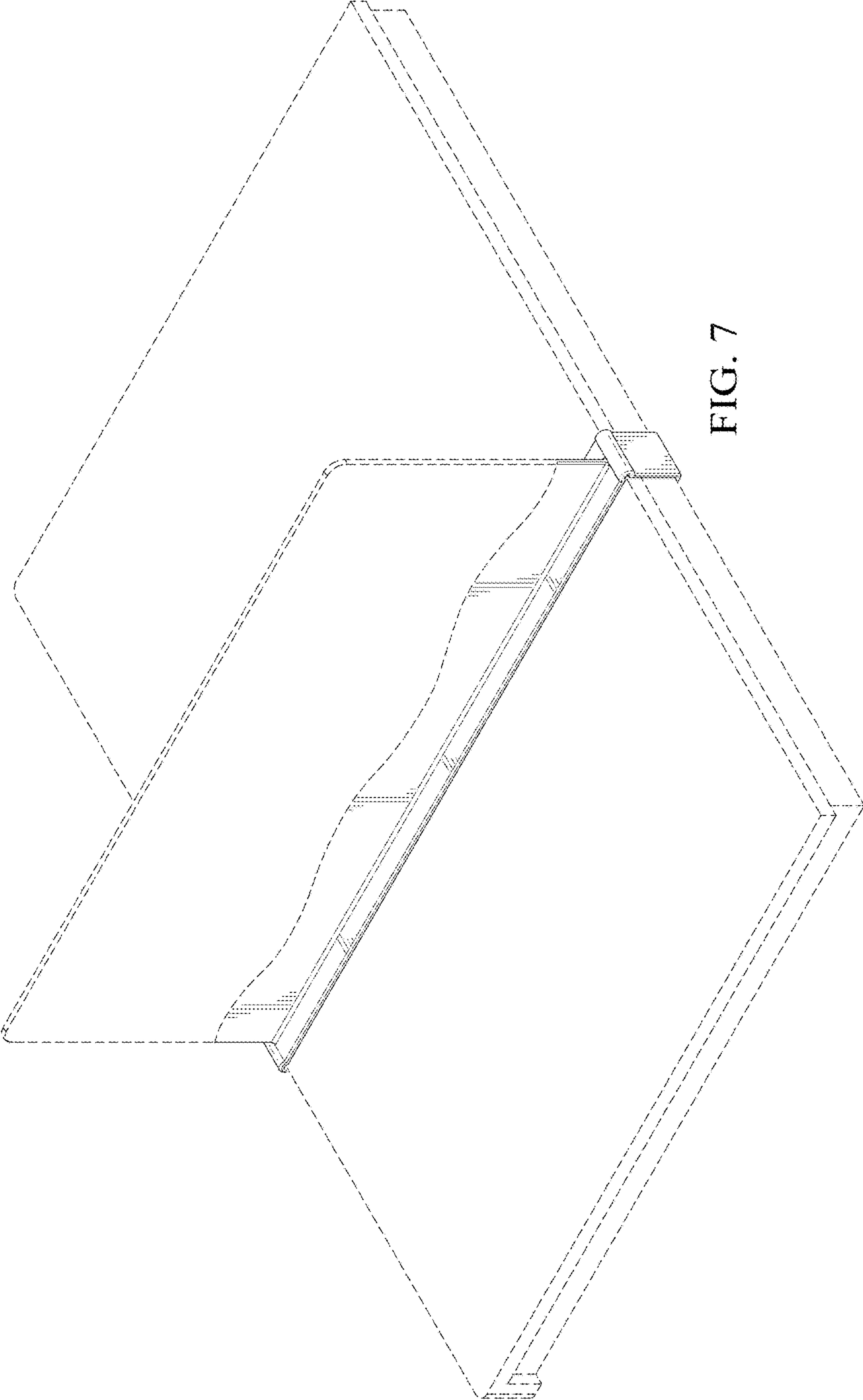


FIG. 7