



US00D819729S

(12) **United States Design Patent**
Sato

(10) **Patent No.:** **US D819,729 S**
(45) **Date of Patent:** **** *Jun. 5, 2018**

(54) **TONER CARTRIDGE**

(71) Applicant: **TOSHIBA TEC KABUSHIKI**
KAISHA, Shinagawa-ku, Tokyo (JP)

(72) Inventor: **Tsutomu Sato**, Izunokuni (JP)

(73) Assignee: **TOSHIBA TEC KABUSHIKI**
KAISHA, Tokyo (JP)

(*) Notice: This patent is subject to a terminal disclaimer.

(**) Term: **14 Years**

(21) Appl. No.: **29/436,122**

(22) Filed: **Nov. 1, 2012**

(30) **Foreign Application Priority Data**

May 16, 2012 (JP) D2012-011451

(51) **LOC (11) Cl.** **16-03**

(52) **U.S. Cl.**
USPC **D18/43**

(58) **Field of Classification Search**

USPC D18/12, 36, 40, 43, 44, 56; D14/471;
347/49, 50, 197, 222; 399/11, 106, 119,
399/120, 230, 258; 222/DIG. 1
CPC G03G 15/0867; G03G 15/087
See application file for complete search history.

(56) **References Cited**

U.S. PATENT DOCUMENTS

D365,846 S * 1/1996 Nishimura D18/43
D451,538 S * 12/2001 Schwamkrug et al. D18/40
D525,289 S * 7/2006 Murata D18/43

D559,894 S * 1/2008 Sato D18/43
D559,895 S * 1/2008 Sato D18/43
D559,896 S * 1/2008 Sato D18/43
D585,484 S * 1/2009 Tanaka D18/43
D604,358 S * 11/2009 Kinoshita et al. D18/43
D655,332 S * 3/2012 Fujii D18/43
D679,750 S * 4/2013 Fujii D18/43
D707,752 S * 6/2014 Wakimoto D18/43
D717,369 S * 11/2014 Sato D18/43
D720,396 S * 12/2014 Torimoto D18/43
9,201,344 B2 * 12/2015 Sato G03G 15/0867
D746,905 S * 1/2016 Kitagawa D18/43
D791,225 S * 7/2017 Yoshii D18/43
D791,865 S * 7/2017 Yoshii D18/43

* cited by examiner

Primary Examiner — Garth Rademaker

(74) *Attorney, Agent, or Firm* — Foley & Lardner LLP

(57) **CLAIM**

The ornamental design for a toner cartridge, as shown and described.

DESCRIPTION

FIG. 1 is a front, top, and left side perspective view of a toner cartridge showing my new design;
FIG. 2 is a front, top, and right side perspective view thereof;
FIG. 3 is a rear, top, and right side perspective view thereof;
FIG. 4 is a rear, top, and left side perspective view thereof;
FIG. 5 is a front view thereof;
FIG. 6 is a rear view thereof;
FIG. 7 is a top view thereof;
FIG. 8 is a bottom view thereof;
FIG. 9 is a right side view thereof; and,
FIG. 10 is a left side view thereof.
The broken lines shown in the drawings illustrate portions of the toner cartridge that form no part of the claimed design.

1 Claim, 7 Drawing Sheets

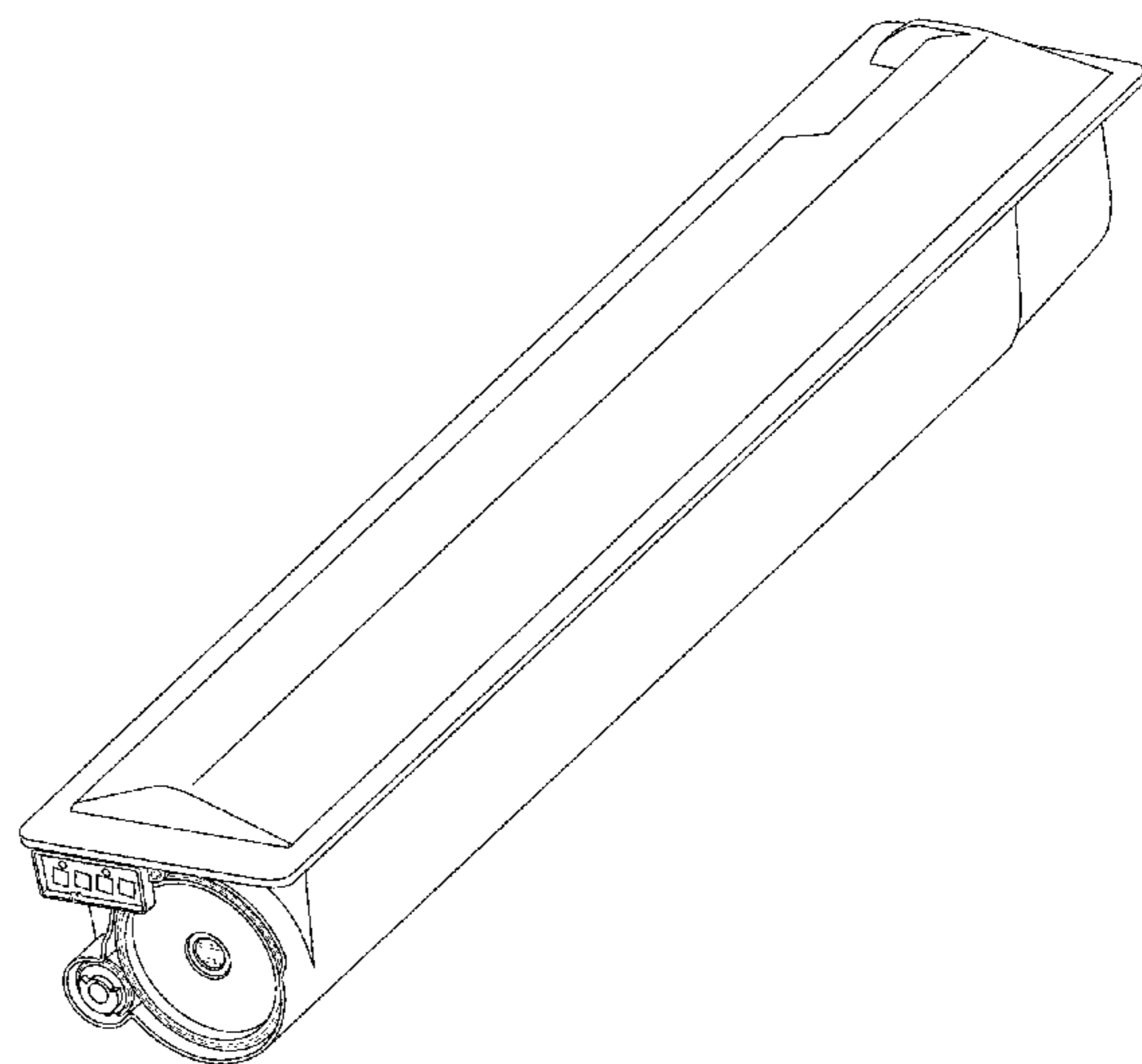
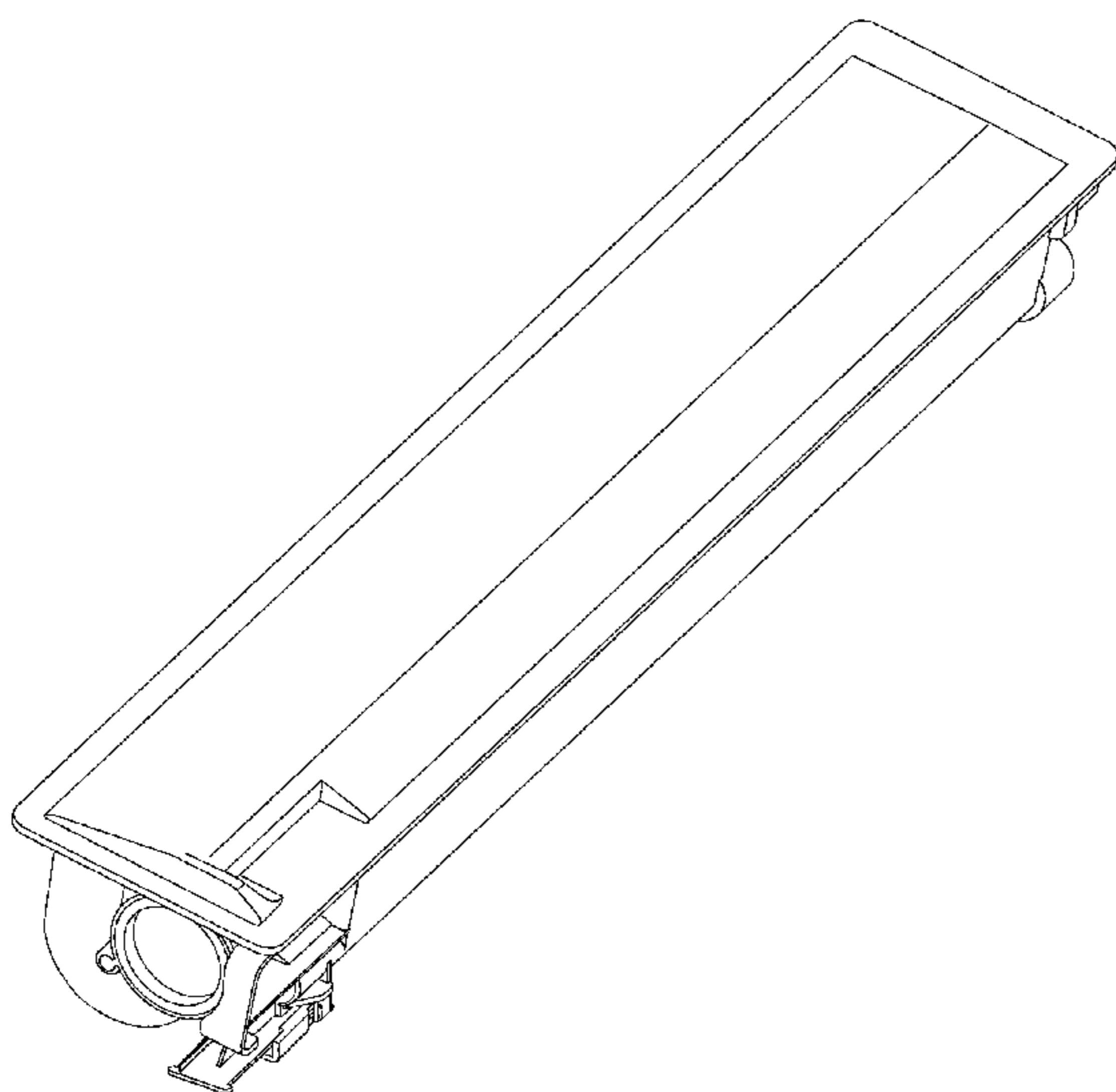


FIG. 1

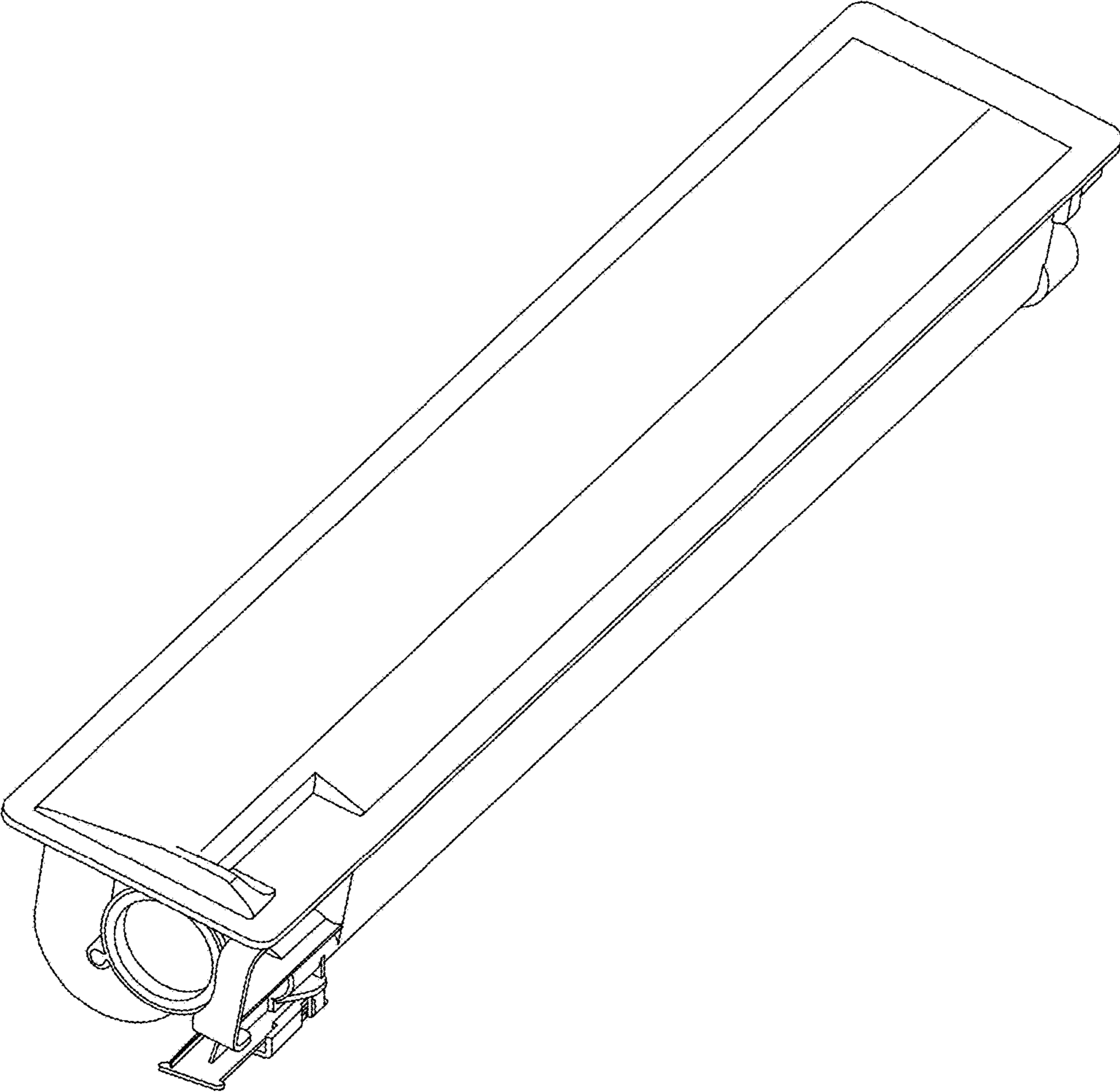


FIG. 2

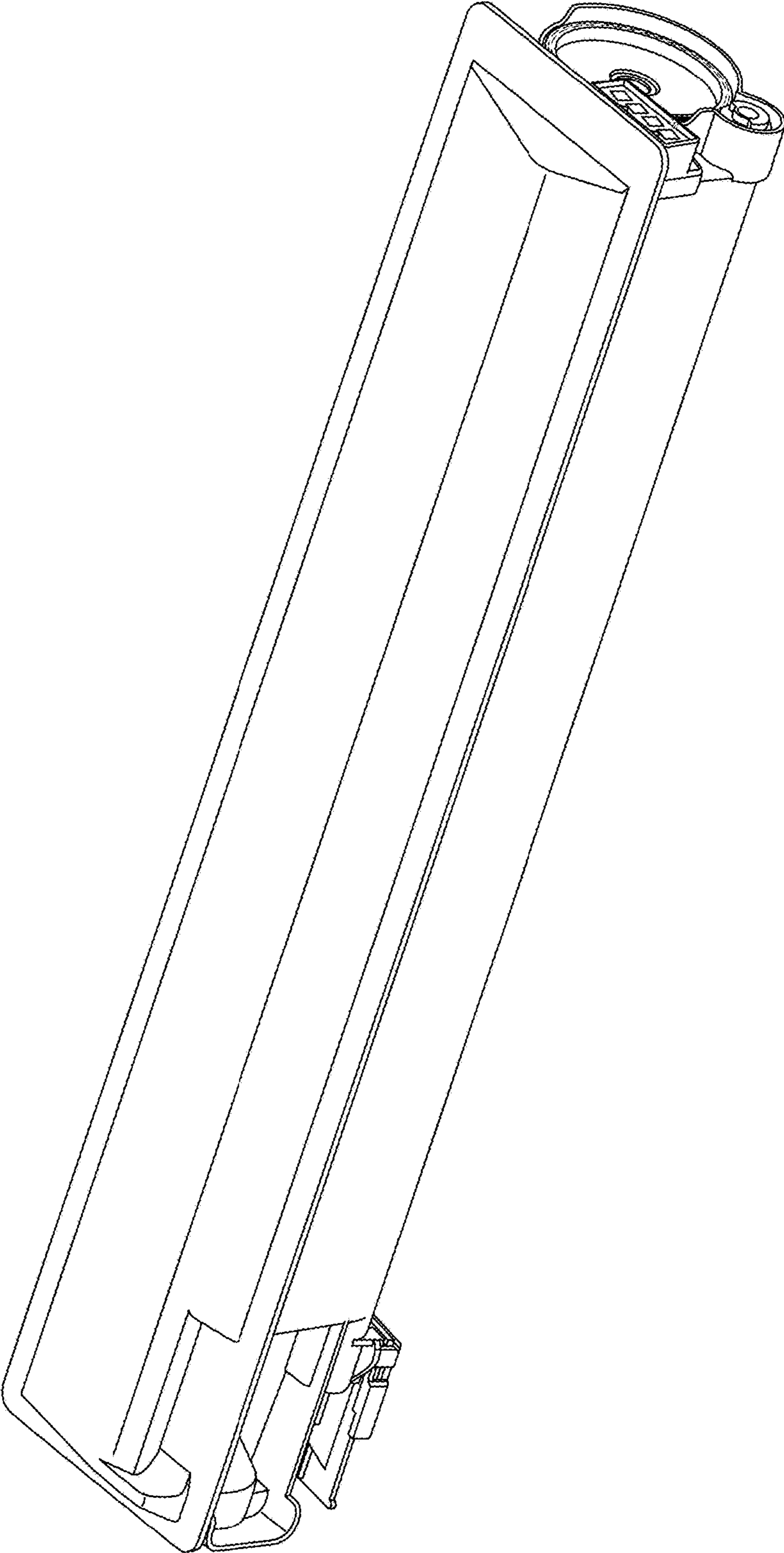


FIG. 3

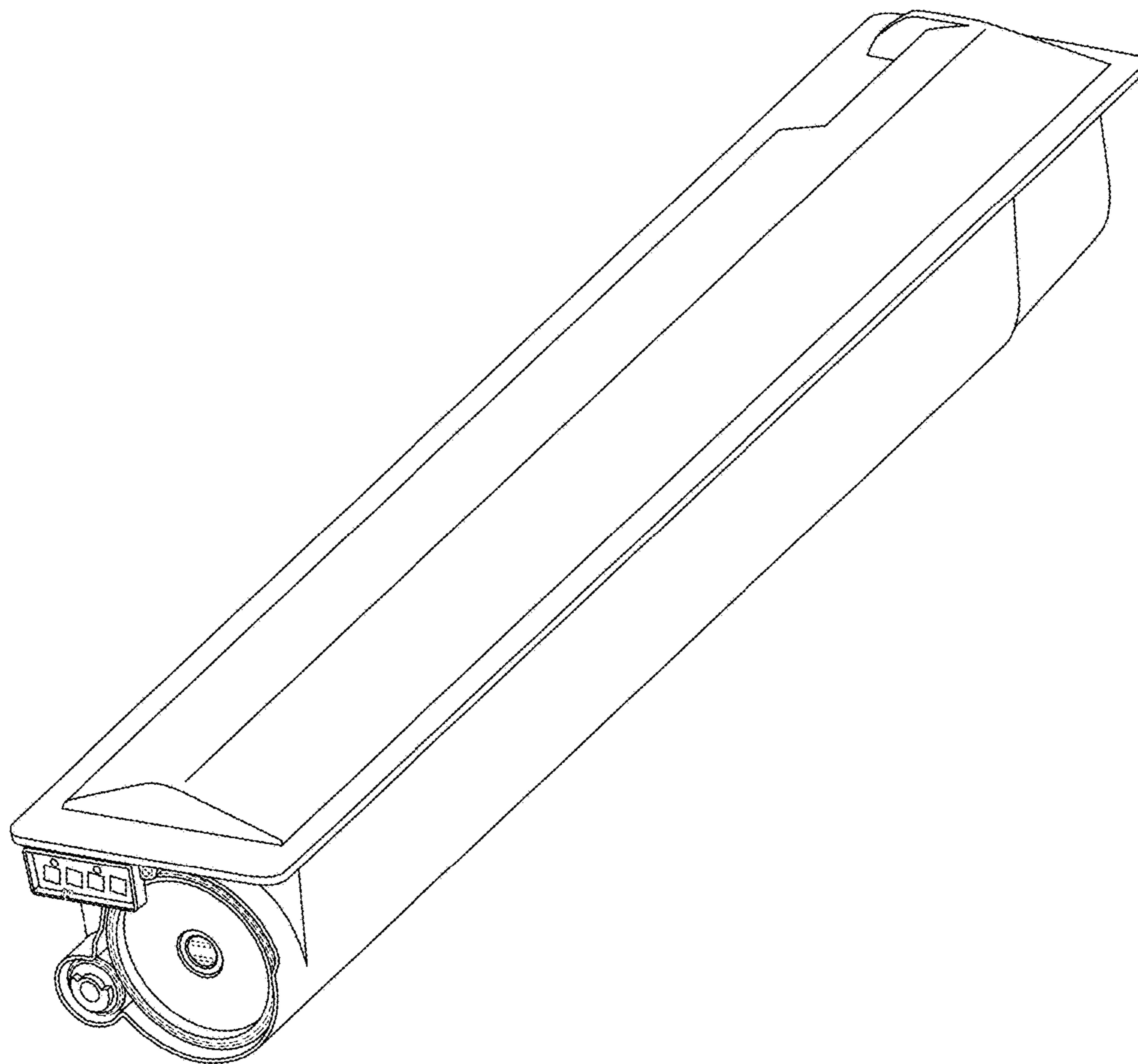


FIG. 4

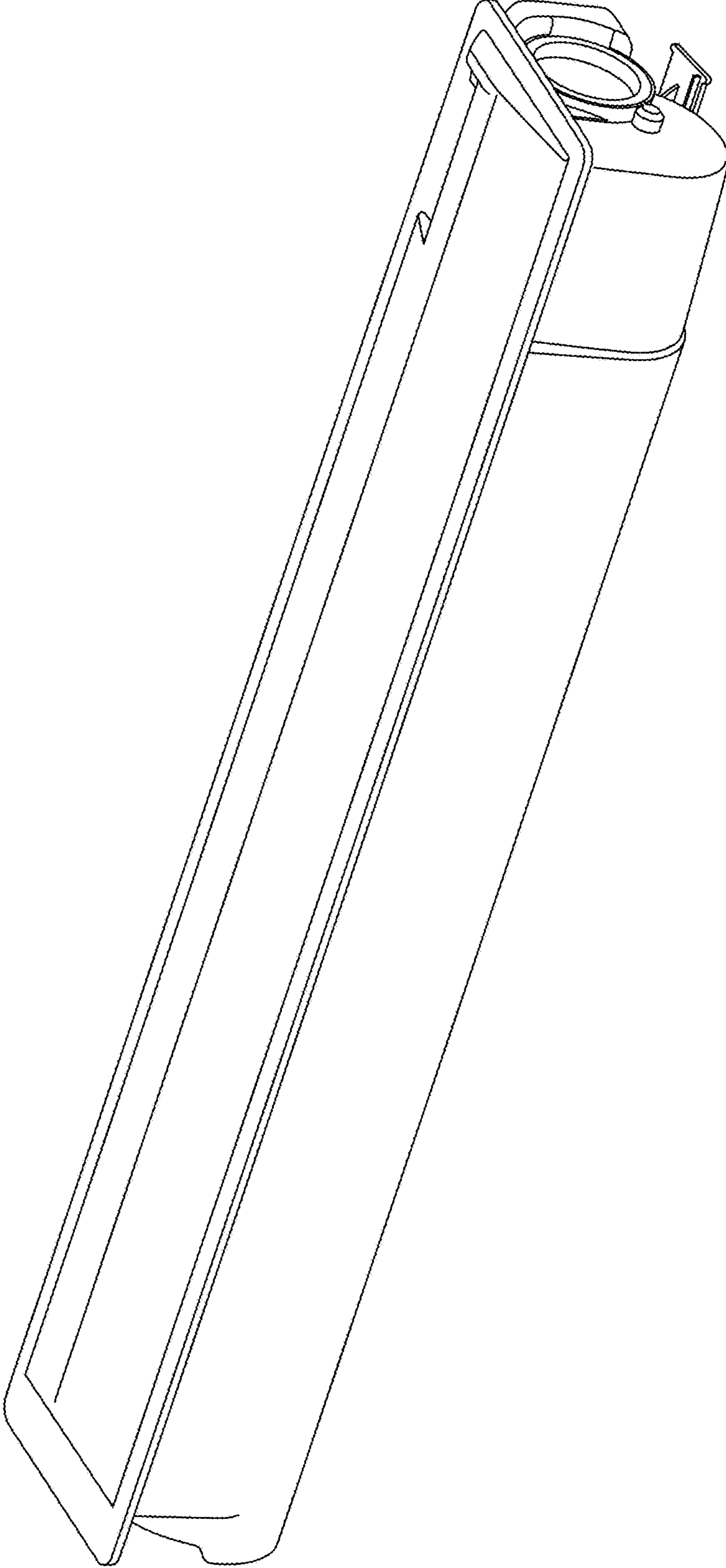


FIG. 5

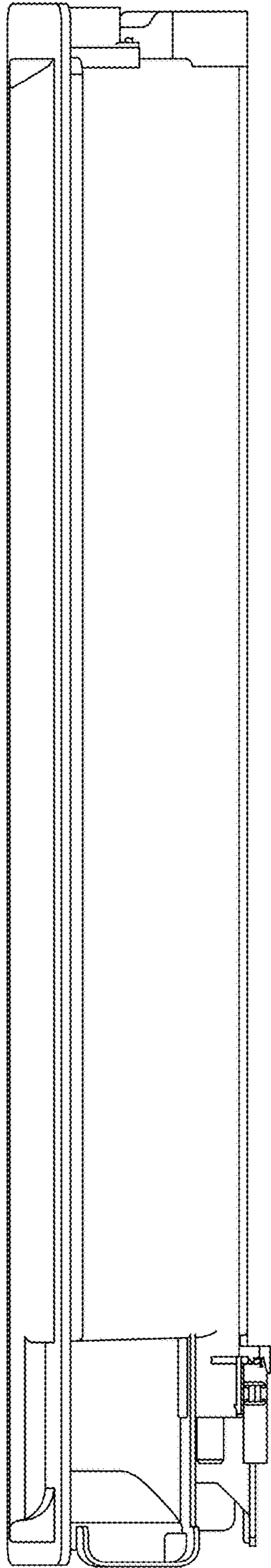


FIG. 6

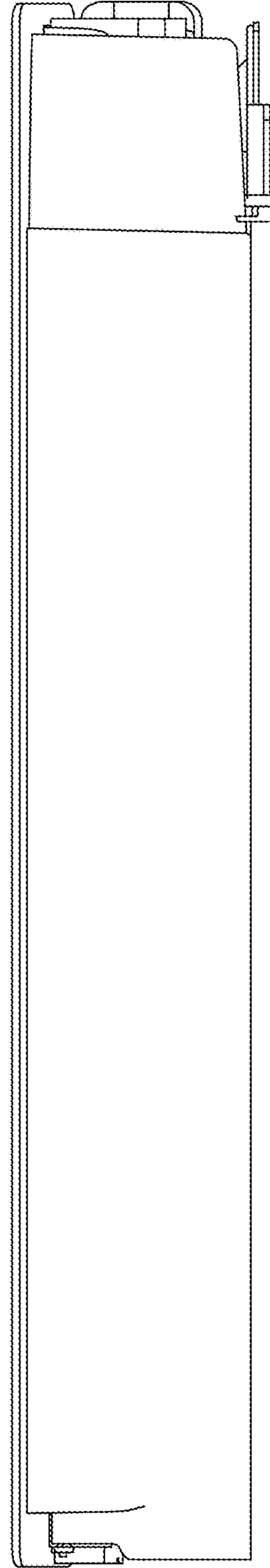


FIG. 7

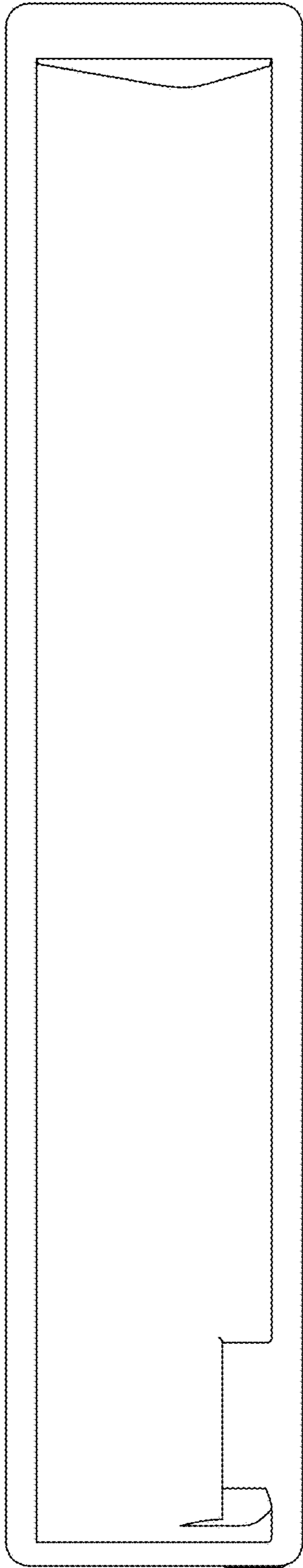


FIG. 8

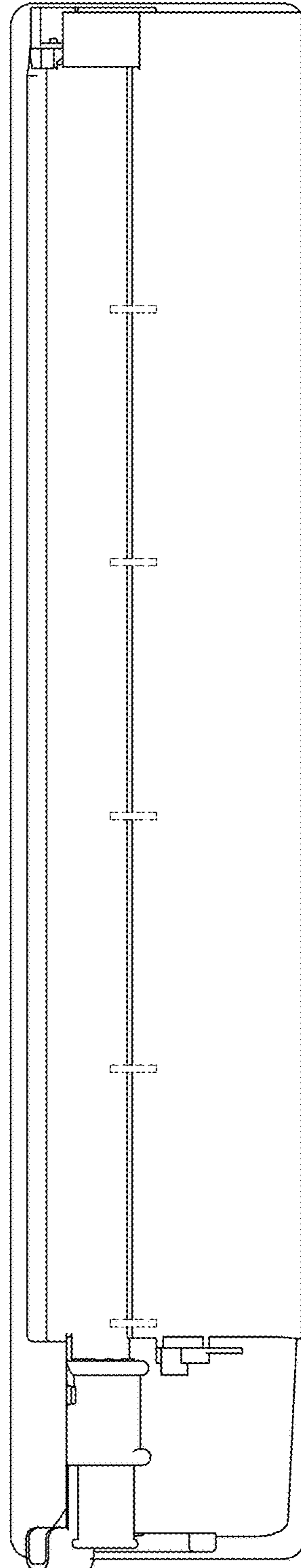


FIG. 9

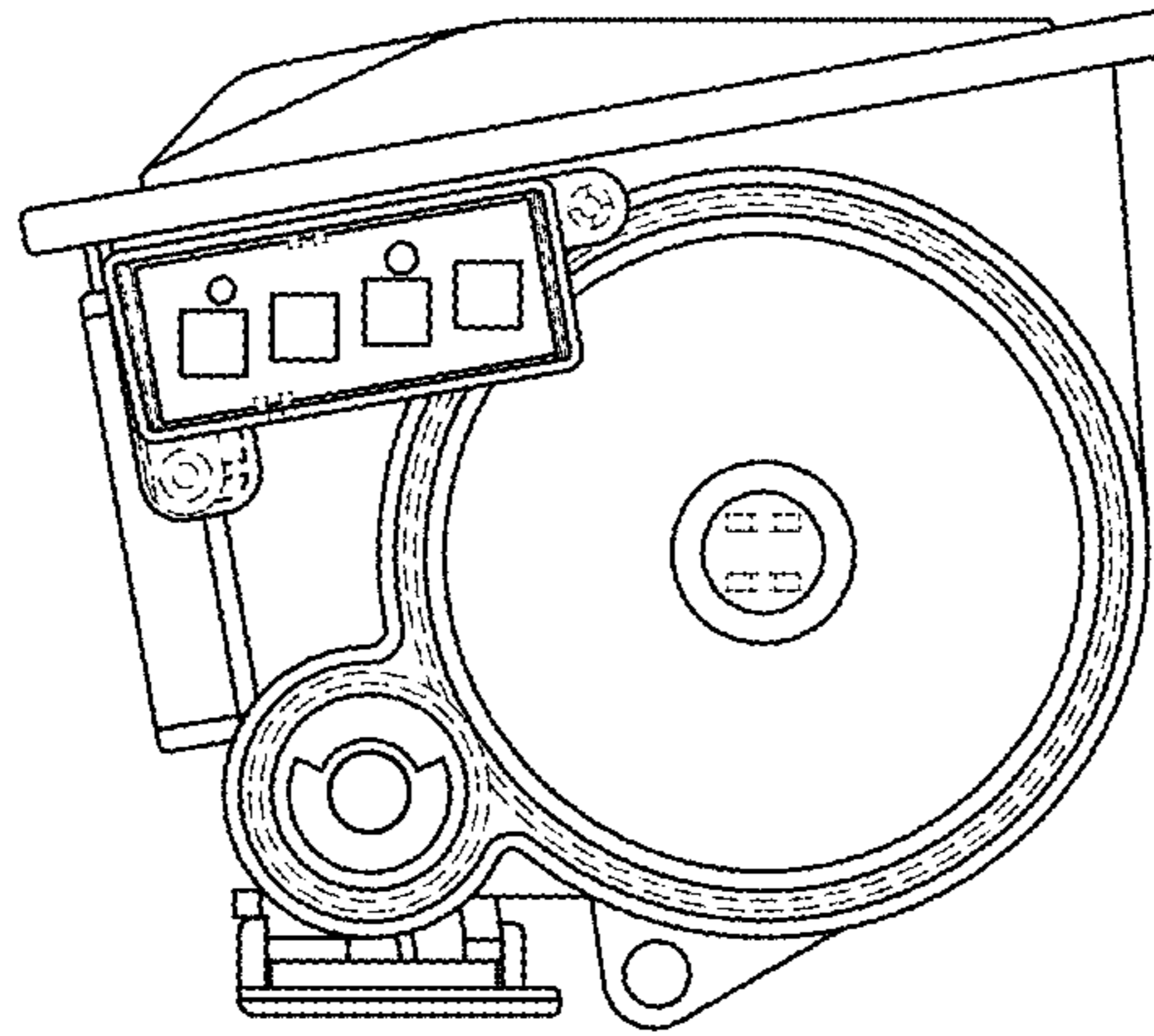


FIG. 10

