



US00D819722S

(12) **United States Design Patent**  
**Tajima**

(10) **Patent No.:** **US D819,722 S**  
(45) **Date of Patent:** **\*\* Jun. 5, 2018**

(54) **DIGITAL CAMERA**  
(71) Applicant: **OLYMPUS CORPORATION**,  
Hachioji-shi, Tokyo (JP)  
(72) Inventor: **Kenji Tajima**, Hachioji (JP)  
(73) Assignee: **OLYMPUS CORPORATION**, Tokyo  
(JP)

D695,807 S \* 12/2013 Tainaka ..... D16/202  
D695,808 S \* 12/2013 Takahashi ..... D16/202  
D698,838 S \* 2/2014 Tainaka ..... D16/200  
D711,450 S \* 8/2014 Yamauchi ..... D16/202  
D720,786 S \* 1/2015 Imamizu ..... D16/202  
D727,990 S \* 4/2015 Sakai ..... D16/202  
D728,662 S \* 5/2015 Kikuchi ..... D16/219  
D748,707 S \* 2/2016 Yamauchi ..... D16/202  
2007/0212062 A1\* 9/2007 Saiki ..... G06F 1/1626  
396/535

(\*\*) Term: **15 Years**

\* cited by examiner

(21) Appl. No.: **29/609,484**

*Primary Examiner* — Philip S Hyder

(22) Filed: **Jun. 30, 2017**

*Assistant Examiner* — Ramzi Almatrahi

(74) *Attorney, Agent, or Firm* — Holtz, Holtz & Volek PC

(30) **Foreign Application Priority Data**

Mar. 16, 2017 (JP) ..... 2017-005352

(51) **LOC (11) Cl.** ..... **16-05**

(52) **U.S. Cl.**  
USPC ..... **D16/219**

(58) **Field of Classification Search**  
USPC ..... D16/200, 202–205, 208, 214, 218, 219;  
348/14.01–14.06, 143, 148, 151,  
348/373–376; 396/419, 427, 535,  
396/539–541  
CPC ..... G03B 17/02; G03B 19/04; G03B 17/56;  
G03B 17/04; G03B 15/03; H04N 5/2251;  
H04N 5/2252; H04N 5/2253; H04N  
5/2254; H04N 2007/145; H04N 7/141;  
H04N 7/142; H04N 7/147; H04N 7/148;  
H04N 7/15; H04N 7/152

See application file for complete search history.

(56) **References Cited**

**U.S. PATENT DOCUMENTS**

D657,408 S \* 4/2012 Tainaka ..... D16/202  
D669,515 S \* 10/2012 Jang ..... D16/202

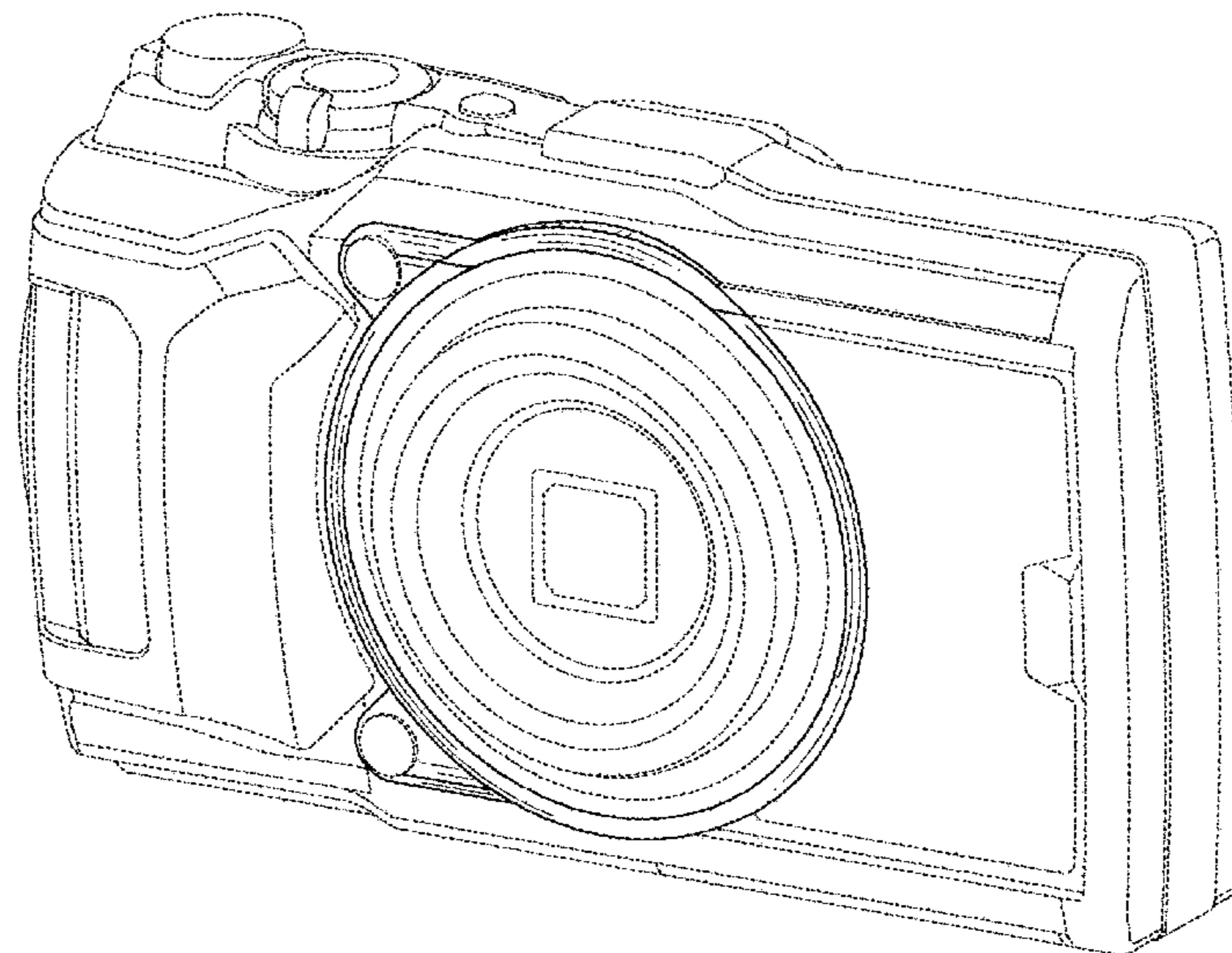
(57) **CLAIM**

The ornamental design for a digital camera, as shown and described.

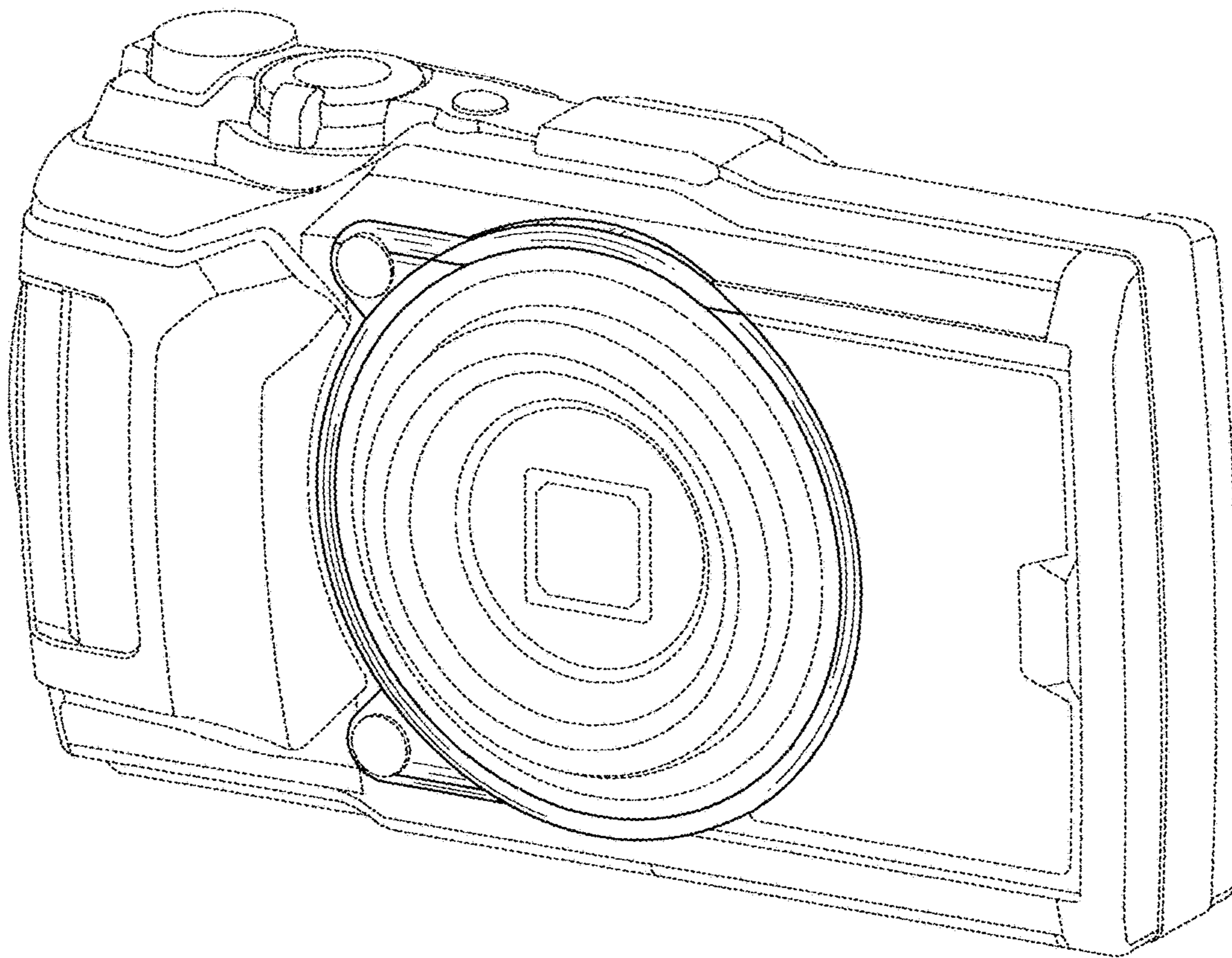
**DESCRIPTION**

FIG. 1 is a front, top and right side perspective view of a digital camera showing my new design;  
FIG. 2 is a front elevational view thereof;  
FIG. 3 is a rear elevational view thereof;  
FIG. 4 is a top plan view thereof;  
FIG. 5 is a bottom plan view thereof;  
FIG. 6 is a right side elevational view thereof; and,  
FIG. 7 is a left side elevational view thereof.  
The broken line depict portions of a digital camera in which the design is embodied and form no part of the claimed design.

**1 Claim, 4 Drawing Sheets**

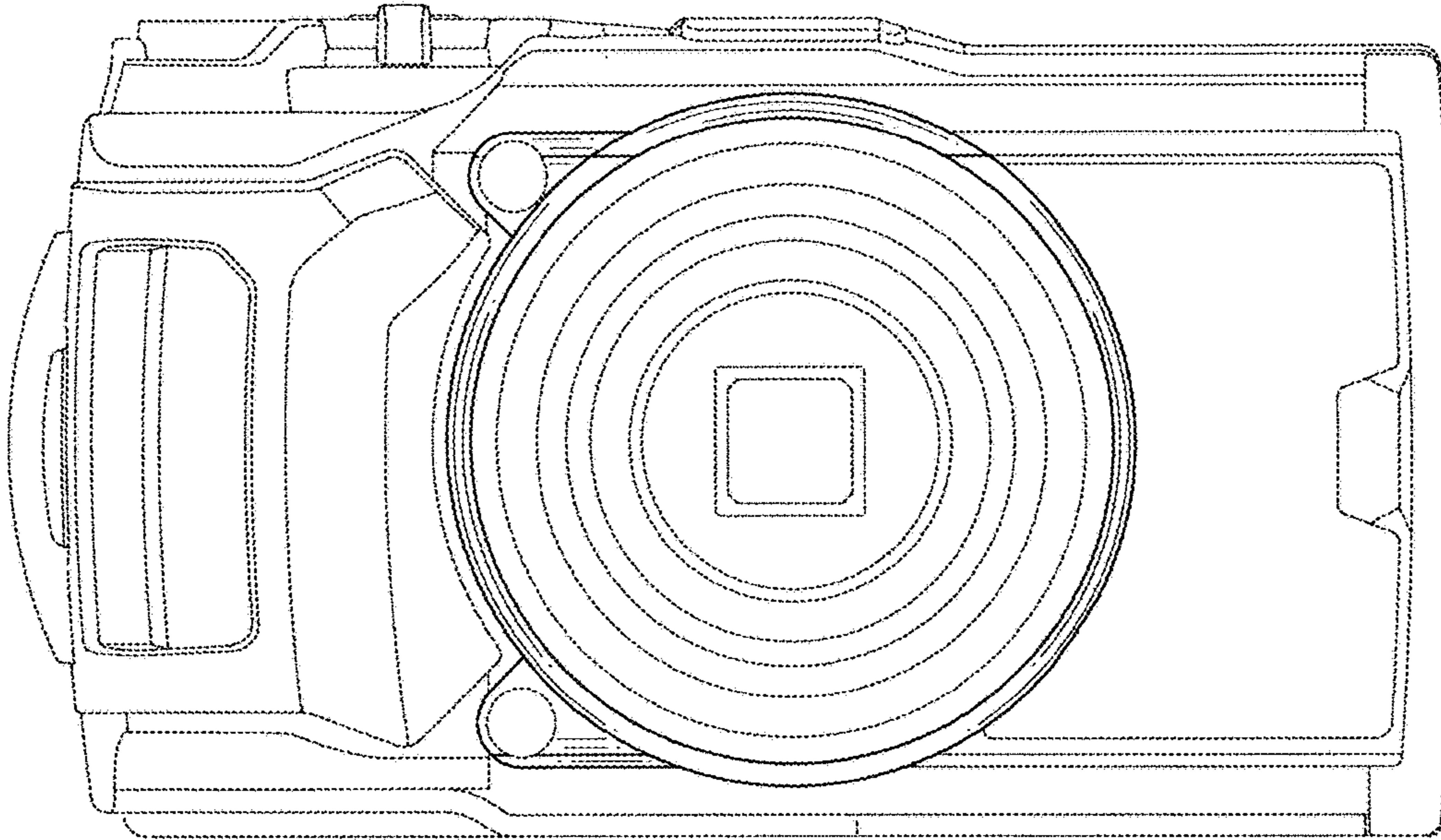


**FIG.1**

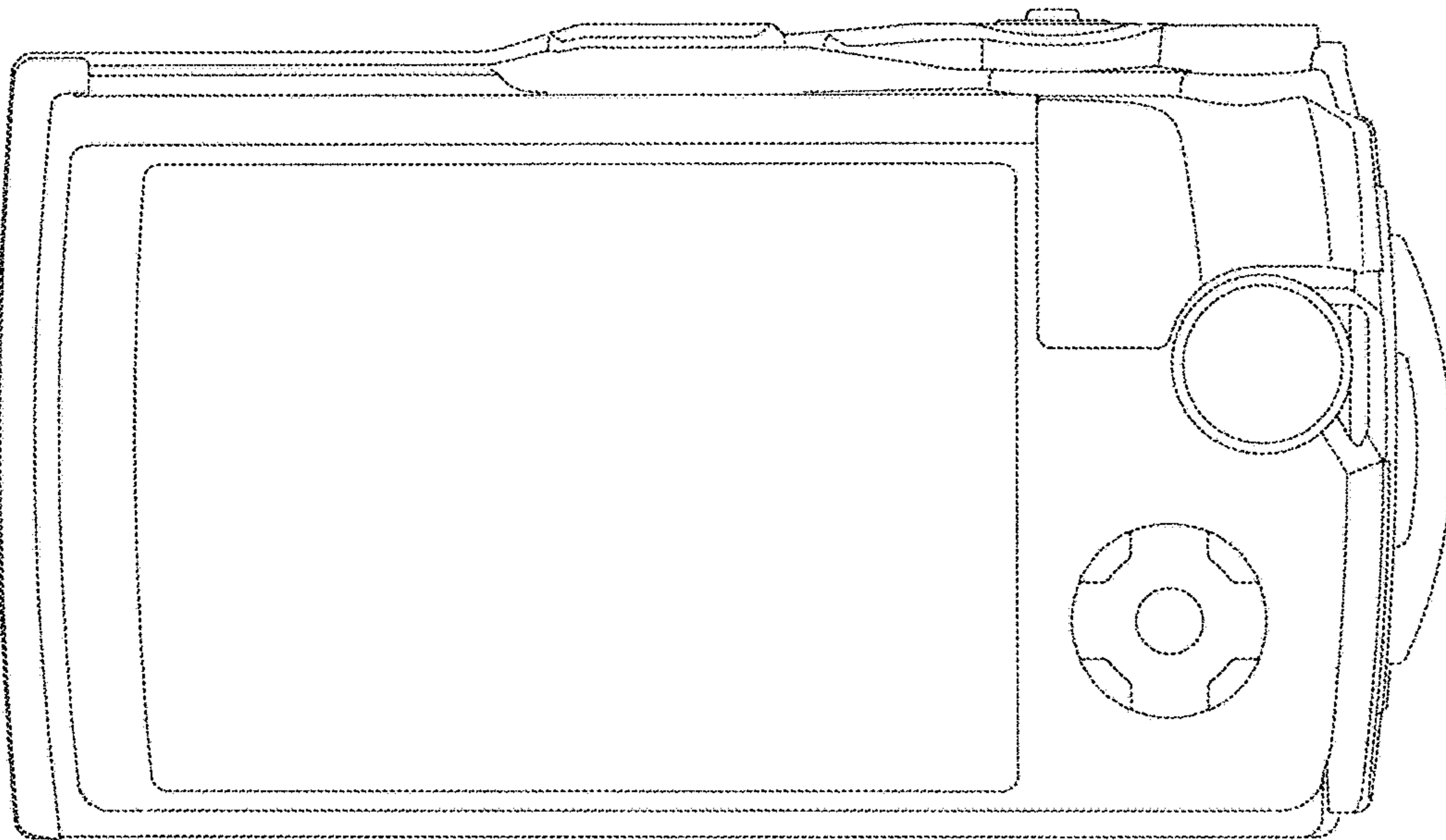




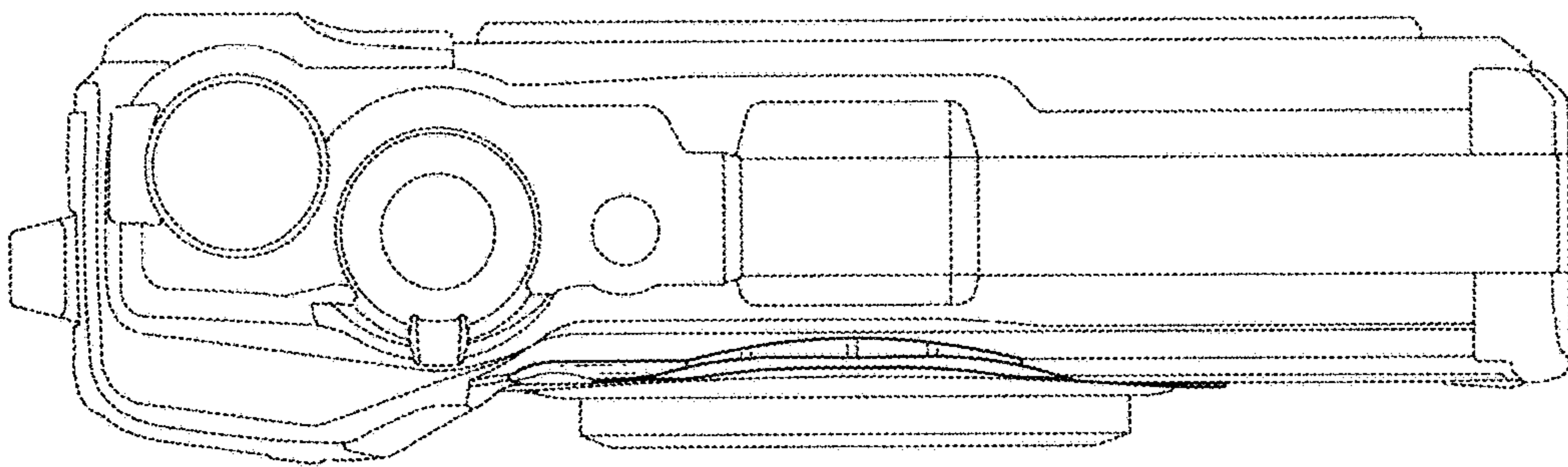
**FIG.2**



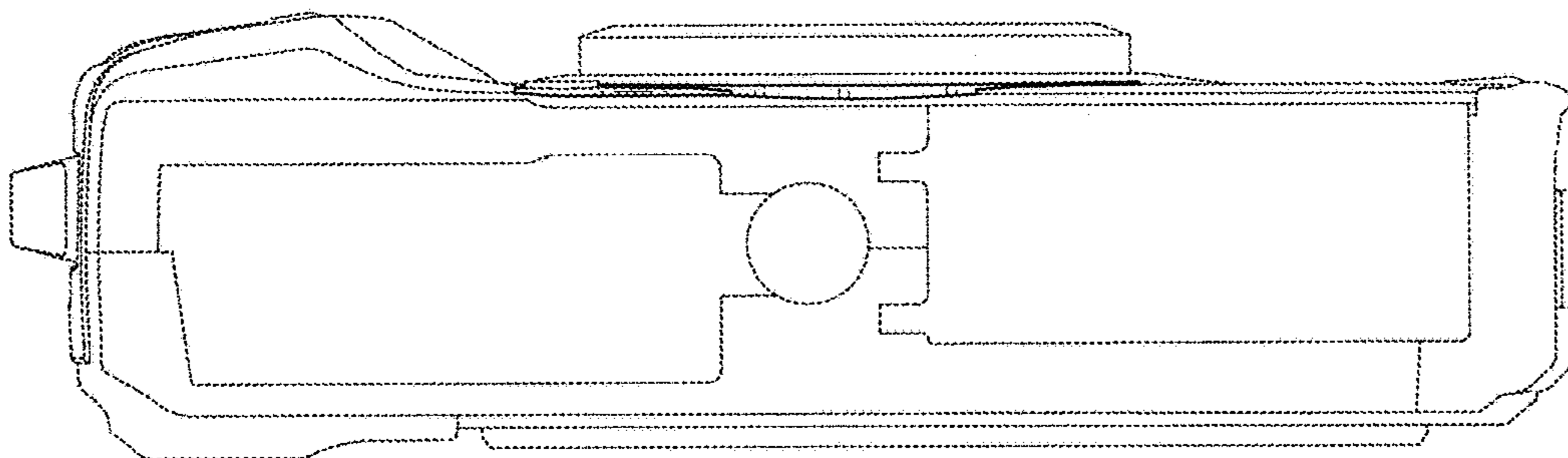
**FIG.3**



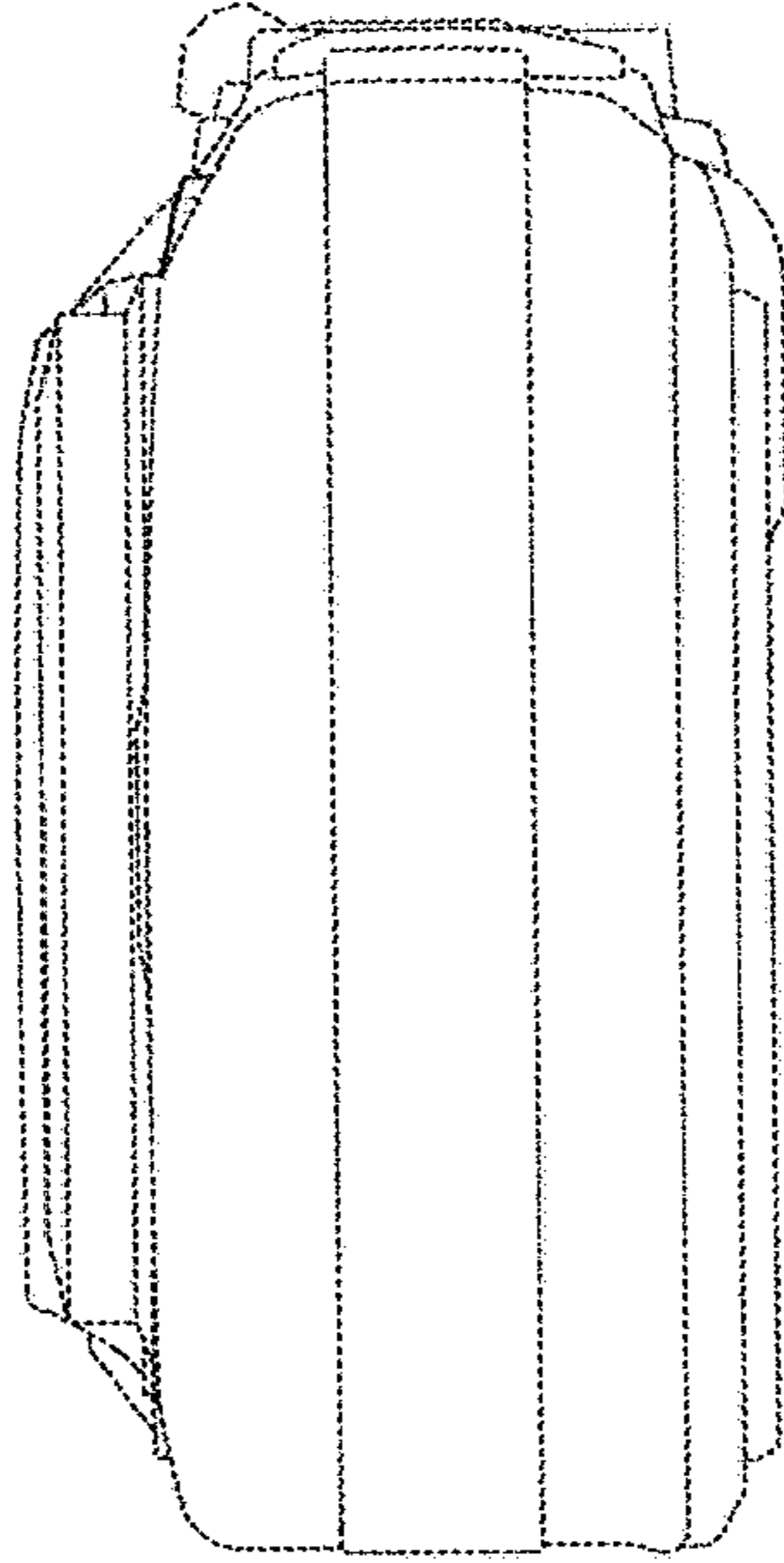
**FIG.4**



**FIG.5**



**FIG.6**



**FIG.7**

