



US00D819721S

(12) **United States Design Patent**  
**Sakai**

(10) **Patent No.:** **US D819,721 S**  
(45) **Date of Patent:** **\*\* \*Jun. 5, 2018**

(54) **DIGITAL CAMERA**

(71) Applicant: **FUJIFILM Corporation**, Tokyo (JP)

(72) Inventor: **Masayuki Sakai**, Tokyo (JP)

(73) Assignee: **FUJIFILM Corporation**, Tokyo (JP)

(\*) Notice: This patent is subject to a terminal disclaimer.

(\*\*) Term: **15 Years**

(21) Appl. No.: **29/556,818**

(22) Filed: **Mar. 3, 2016**

(30) **Foreign Application Priority Data**

Sep. 11, 2015 (JP) ..... 2015-020272

(51) **LOC (11) Cl.** ..... **16-05**

(52) **U.S. Cl.**

USPC ..... **D16/219**; D16/209

(58) **Field of Classification Search**

USPC ..... D14/307; D16/200–220, 229, 230, 242,  
D16/244, 245, 238; D20/21, 38, 338;  
D23/283, 305; D25/20, 58

CPC ..... H04N 7/181; H04N 7/183; H04N 7/18;  
H04N 3/08; H04N 5/23248; H04N  
5/23287; H04N 5/23258; H04N 5/2251;  
H04N 5/2252; H04N 2007/145; G01C  
11/025; G03B 15/00; G03B 15/03; G03B  
17/56; G03B 17/02; G03B 17/30; G03B  
17/04; G03B 17/00; G03B 19/04; G03B  
3/00;

(Continued)

(56) **References Cited**

**U.S. PATENT DOCUMENTS**

D215,184 S \* 9/1969 Mazur ..... D16/217

D263,310 S \* 3/1982 Kato ..... D16/217

(Continued)

**OTHER PUBLICATIONS**

Fujifilm X-10, announced Nov. 15, 2015, [site visited Apr. 28, 2017], Available from Internet, URL: <https://web.archive.org/web/20151215125025/https://www.bhphotovideo.com/c/product/1149206-REG/fujifilm\_16471574\_x\_t10\_mirrorless\_digital\_camera.html>.\*

(Continued)

*Primary Examiner* — Barbara Fox

*Assistant Examiner* — Mary C Ramirez

(74) *Attorney, Agent, or Firm* — Young & Thompson

(57) **CLAIM**

The ornamental design for a digital camera, as shown and described.

**DESCRIPTION**

FIG. 1 is a top, front and right side perspective view of a digital camera showing my new design in an open configuration;

FIG. 2 is a front elevational view thereof;

FIG. 3 is a rear elevational view thereof;

FIG. 4 is a top plan view thereof;

FIG. 5 is a bottom plan view thereof;

FIG. 6 is a left side elevational view thereof;

FIG. 7 is a right side elevational view thereof;

FIG. 8 is a top, front and right side perspective view thereof in an alternate closed configuration;

FIG. 9 is a front elevational view thereof;

FIG. 10 is a rear elevational view thereof;

FIG. 11 is a top plan view thereof;

FIG. 12 is a bottom plan view thereof;

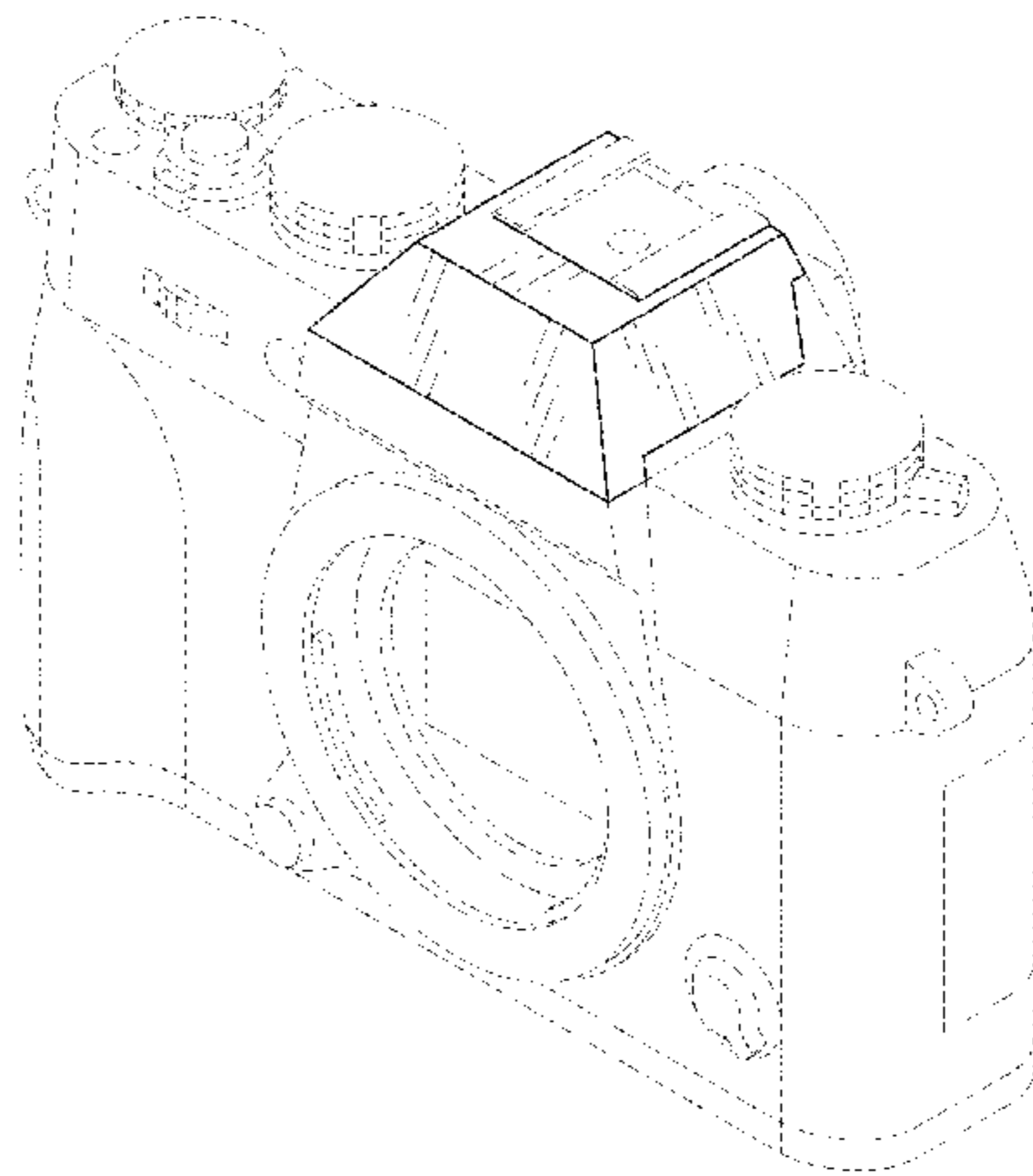
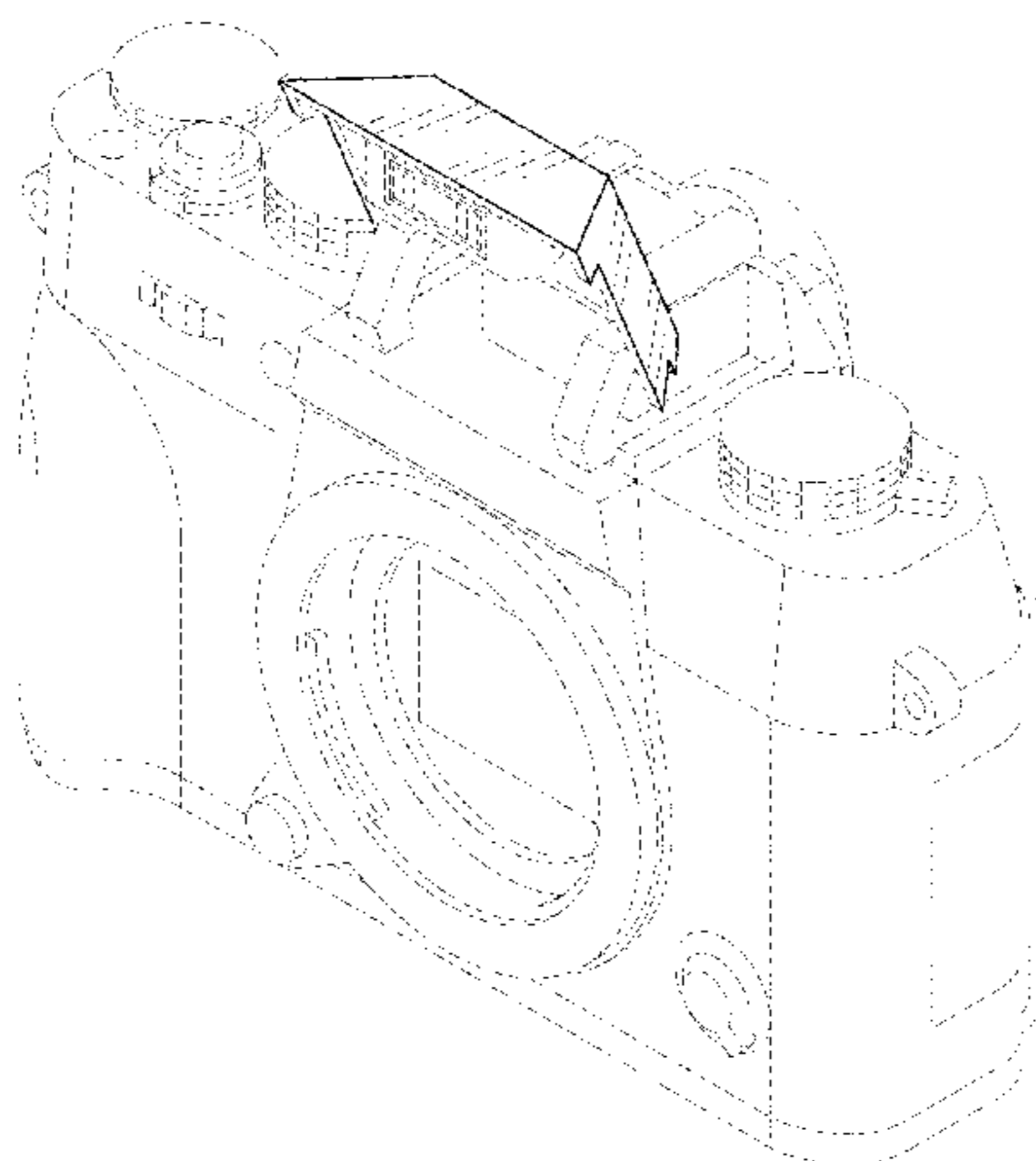
FIG. 13 is a left side elevational view thereof;

FIG. 14 is a right side elevational view thereof; and,

FIG. 15 is another top, front and right side perspective view thereof with a lens attached.

The broken lines shown in the drawings illustrate portions of the digital camera that form no part of the claimed design.

(Continued)



The broken line portions of the digital camera throughout the drawings are shown to illustrate environment only and form no part of the claimed design.

**1 Claim, 15 Drawing Sheets**

(58) **Field of Classification Search**

CPC ..... B60R 1/00; B60R 2300/105; G08B 13/19619; G08B 13/1963; G08B 13/19632; F16M 11/04; F16M 13/00; Y02E 60/12

See application file for complete search history.

(56)

**References Cited**

U.S. PATENT DOCUMENTS

D268,416	S *	3/1983	Rubner	.....	D16/209
D306,742	S *	3/1990	Goto	.....	D16/217
5,028,949	A *	7/1991	Kawano	.....	G02B 7/32 396/106
5,208,622	A *	5/1993	Kawano	.....	G03B 17/02 396/178
5,623,712	A *	4/1997	Onda	.....	G03B 17/02 396/424
6,058,271	A *	5/2000	Tenmyo	.....	G03B 15/03 396/198

D681,090	S *	4/2013	Tainaka	.....	D16/200
D733,782	S *	7/2015	Sakai	.....	D16/202
D738,418	S *	9/2015	Imai	.....	D16/202
D746,351	S *	12/2015	Sogabe	.....	D16/202
D754,772	S *	4/2016	Nohara	.....	D16/219
D777,233	S *	1/2017	Sakai	.....	D16/202
D797,837	S *	9/2017	Osada	.....	D16/219
2009/0231450	A1 *	9/2009	Tanaka	.....	G03B 5/02 348/208.7
2010/0254698	A1 *	10/2010	Louis	.....	G03B 17/00 396/448
2012/0045194	A1 *	2/2012	Yoshii	.....	G02B 7/282 396/89
2013/0182404	A1 *	7/2013	Mitani	.....	G03B 15/03 362/3

OTHER PUBLICATIONS

Pentax MX, announced 1980, [site visited Apr. 28, 2017], Available from Internet, URL: <<http://www.pxleyes.com/blog/2011/08/the-twenty-most-popular-35mm-photo-cameras-in-history/>>.\*

Pentax LX, announced 2008, [site visited Apr. 28, 2017], Available from Internet, URL: <<http://mir.com.my/rb/photography/hardwares/classics/pentaxlx/viewfinders/>>.\*

Ricoh KR-5 Super II, announced 1993, [site visited Apr. 28, 2017], Available from Internet, URL: <[http://camera-wiki.org/wiki/Ricoh\\_KR-5\\_Super\\_II](http://camera-wiki.org/wiki/Ricoh_KR-5_Super_II)>.\*

\* cited by examiner

FIG. 1

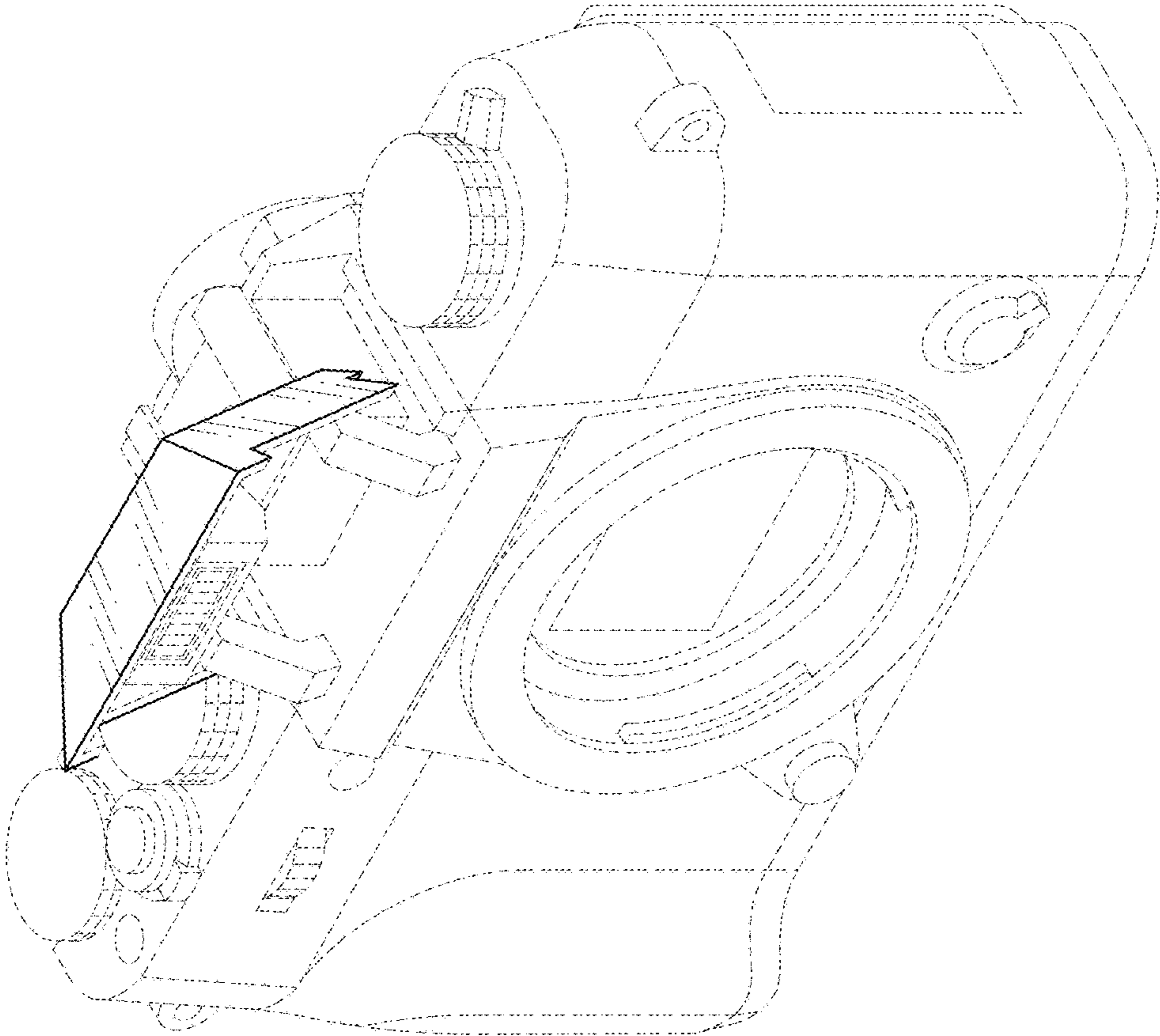


FIG. 2

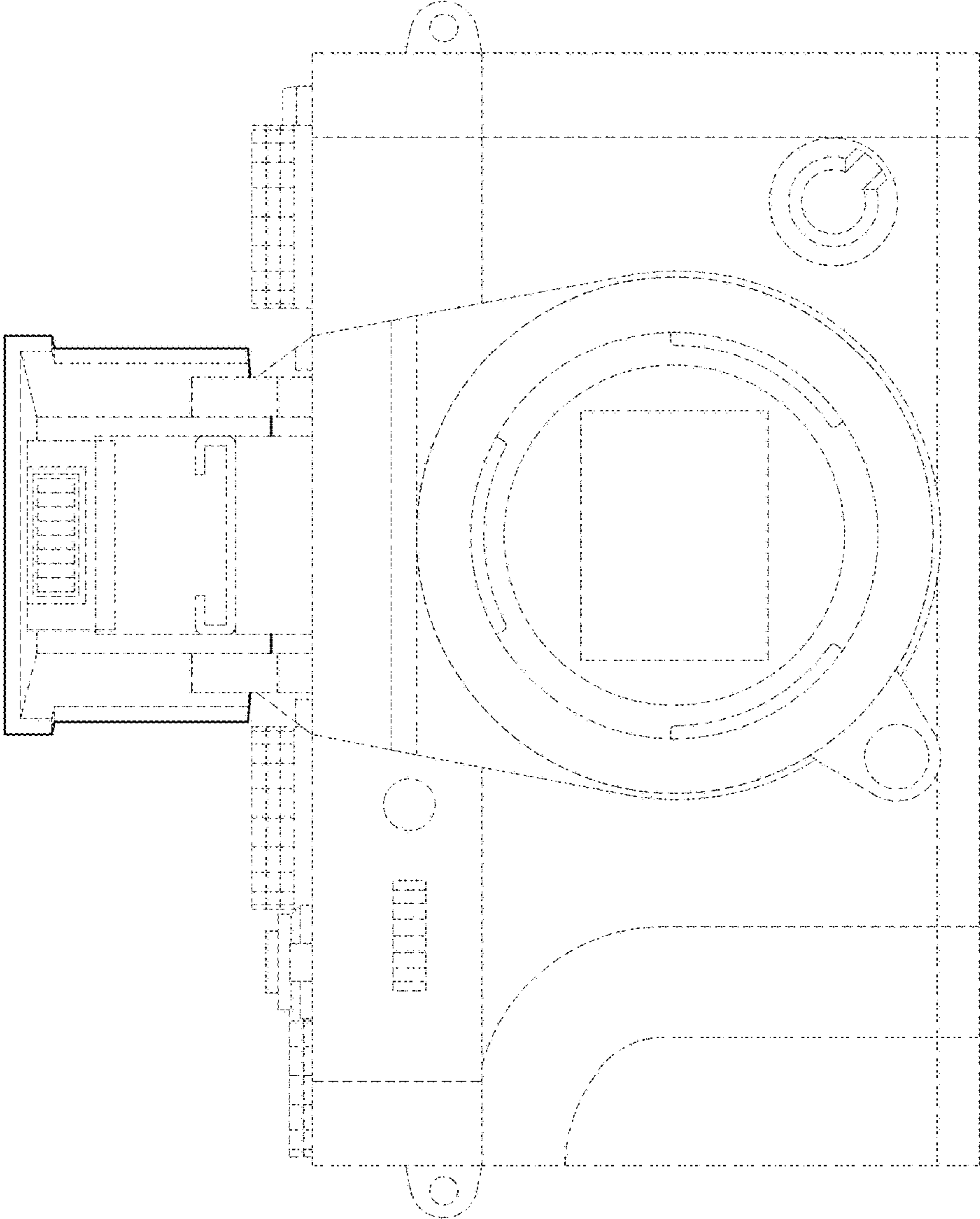


FIG. 3

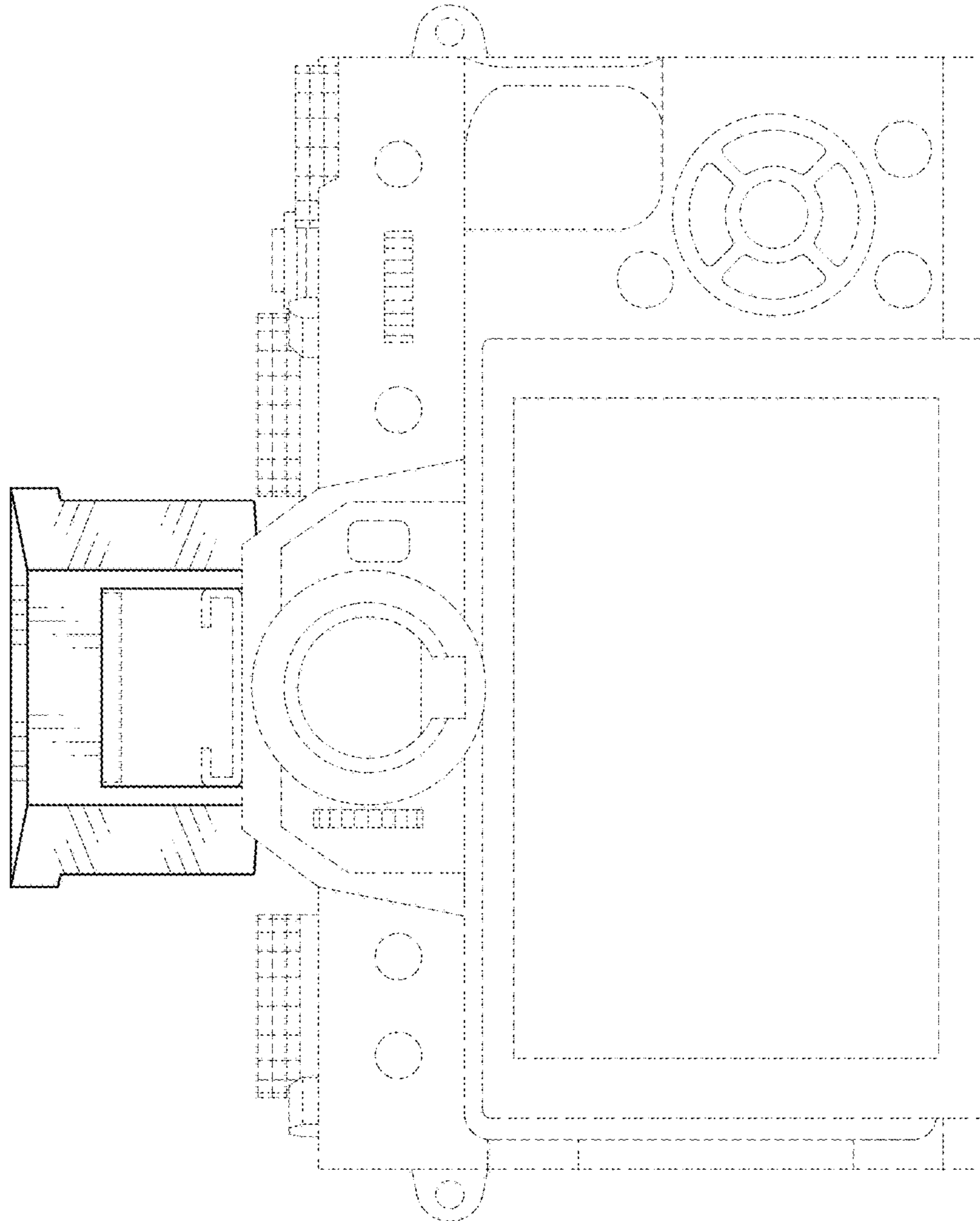


FIG. 4

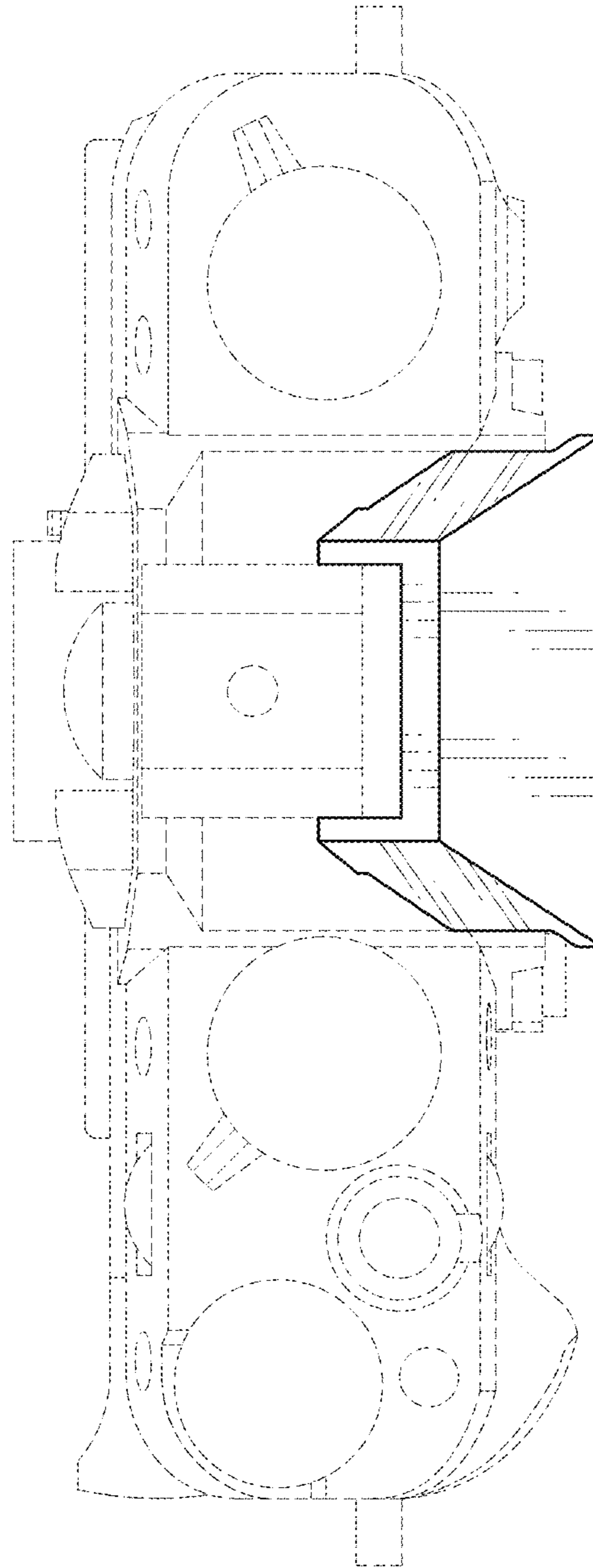


FIG. 5

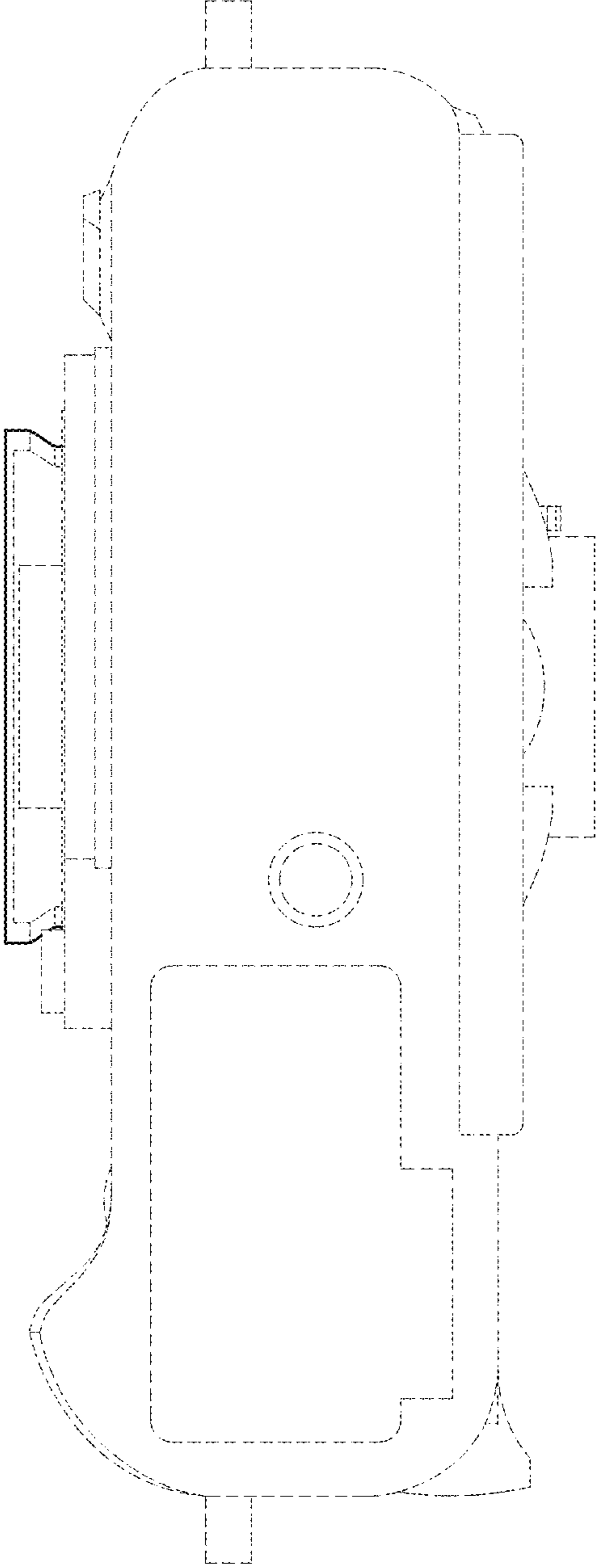


FIG. 6

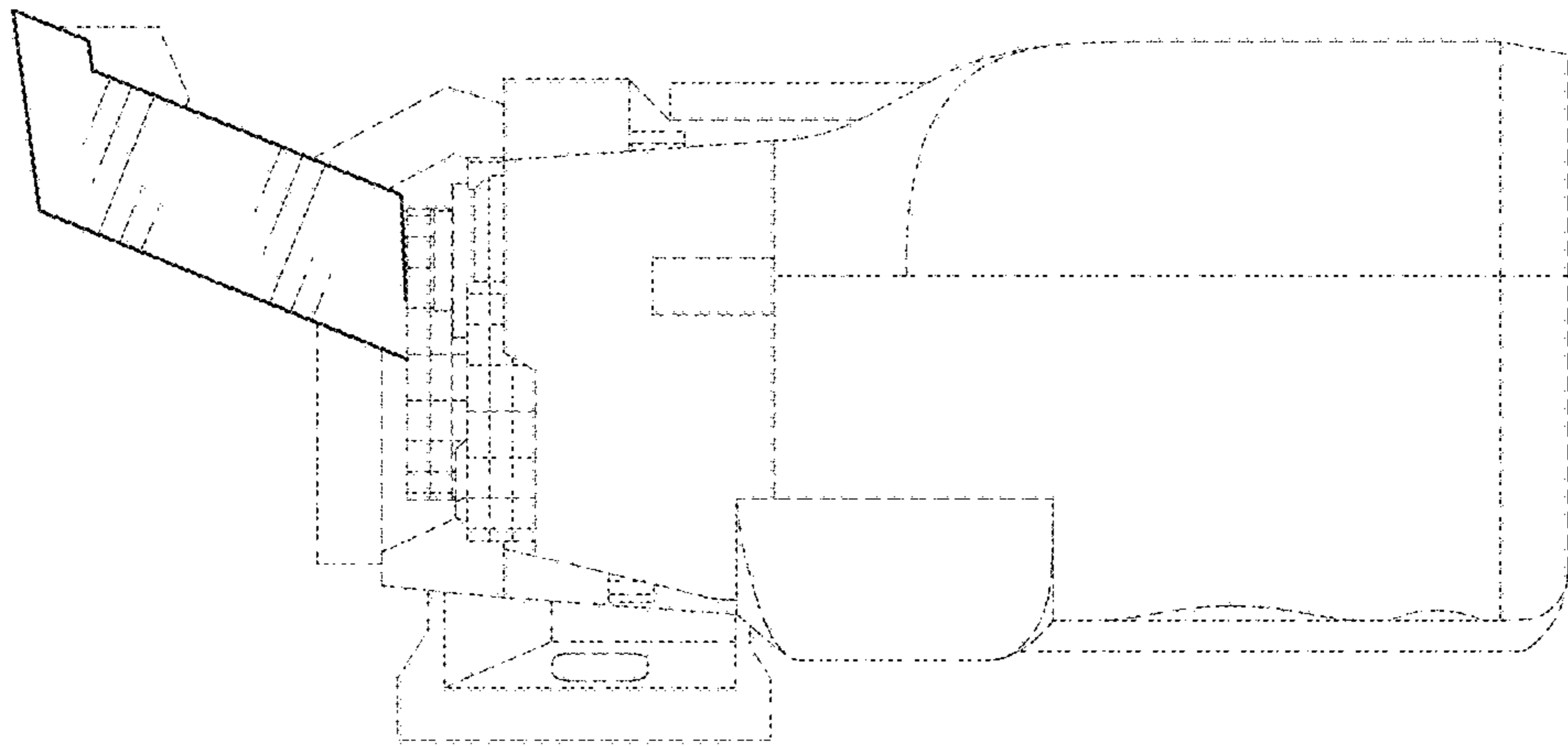




FIG. 7

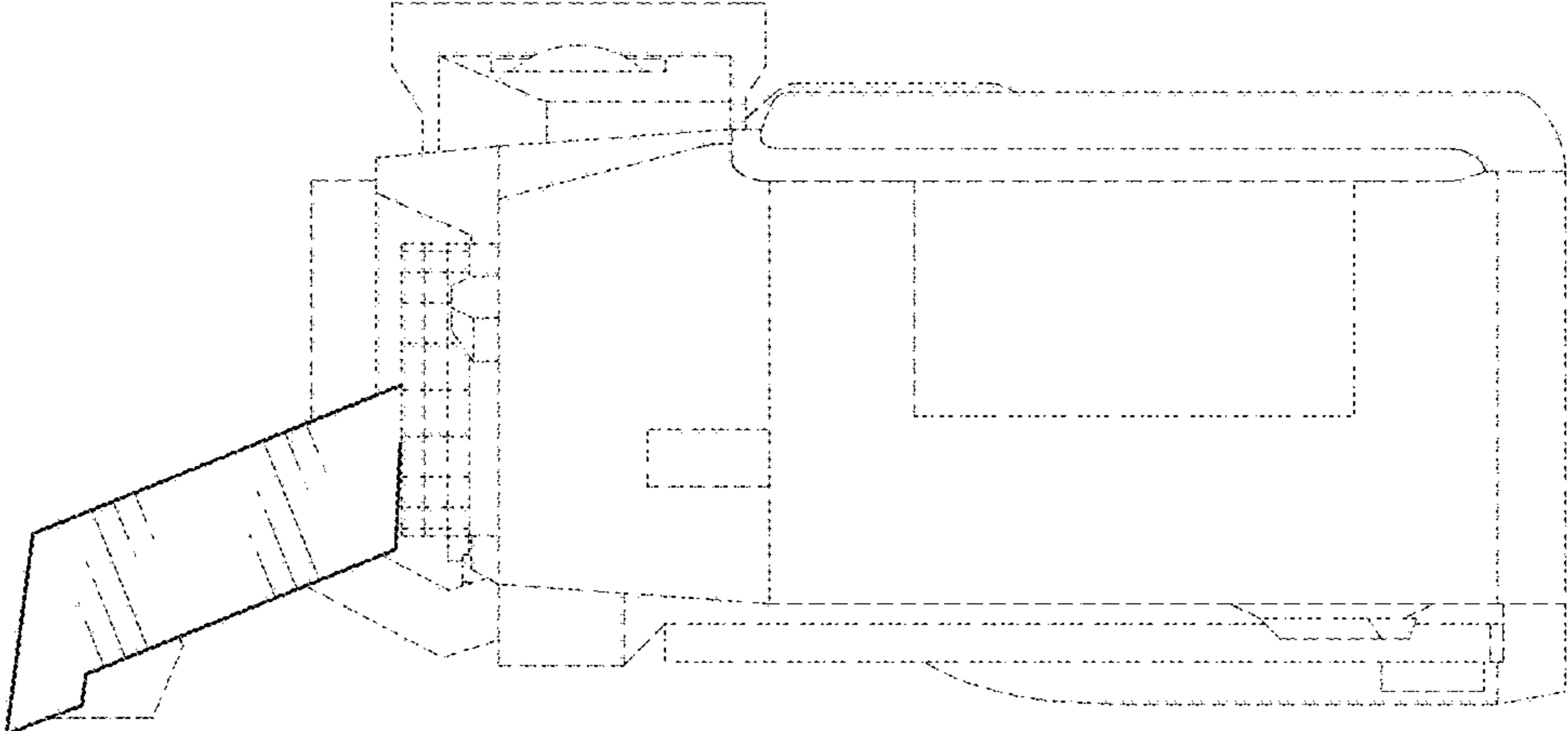


FIG. 8

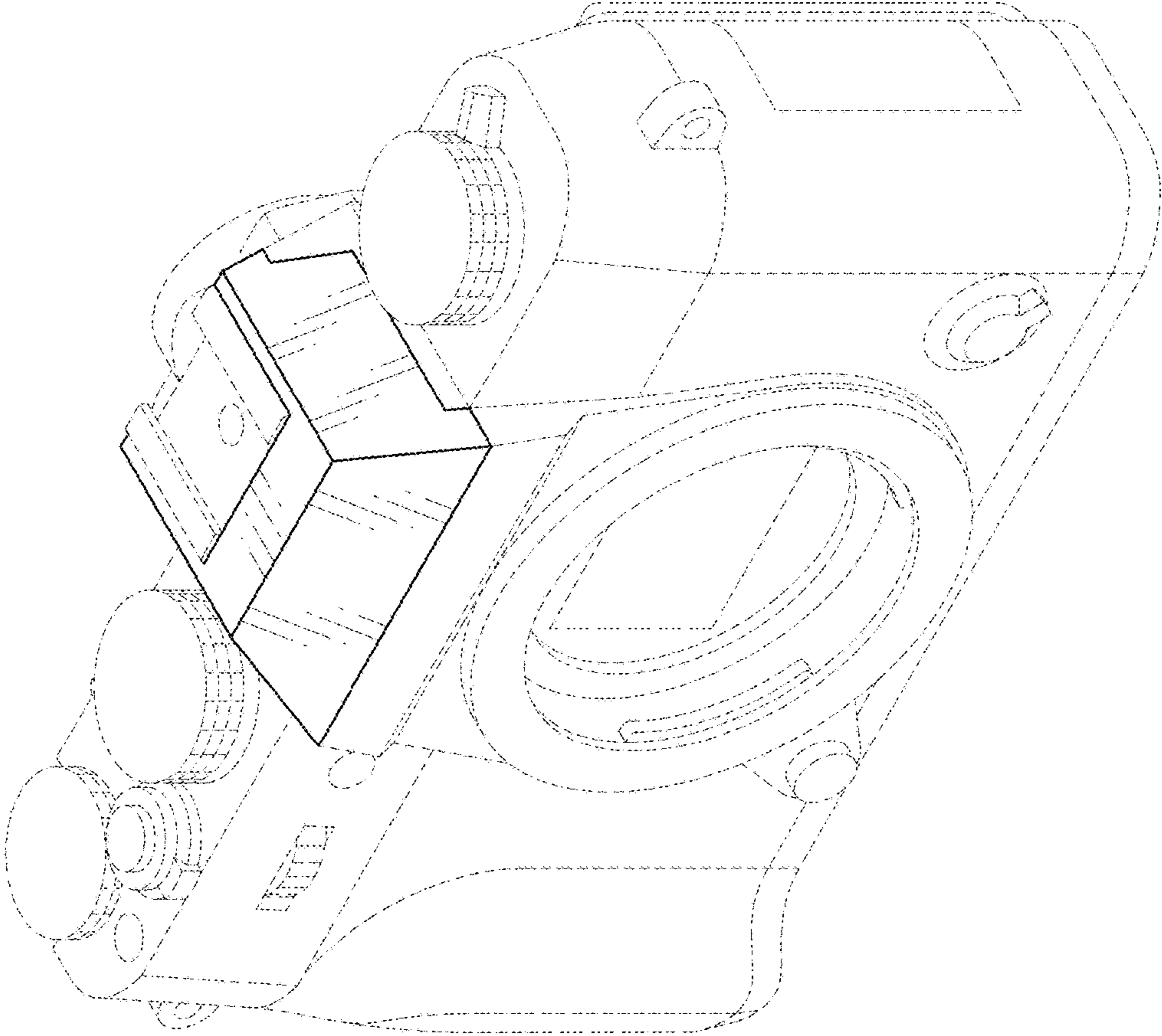


FIG. 9

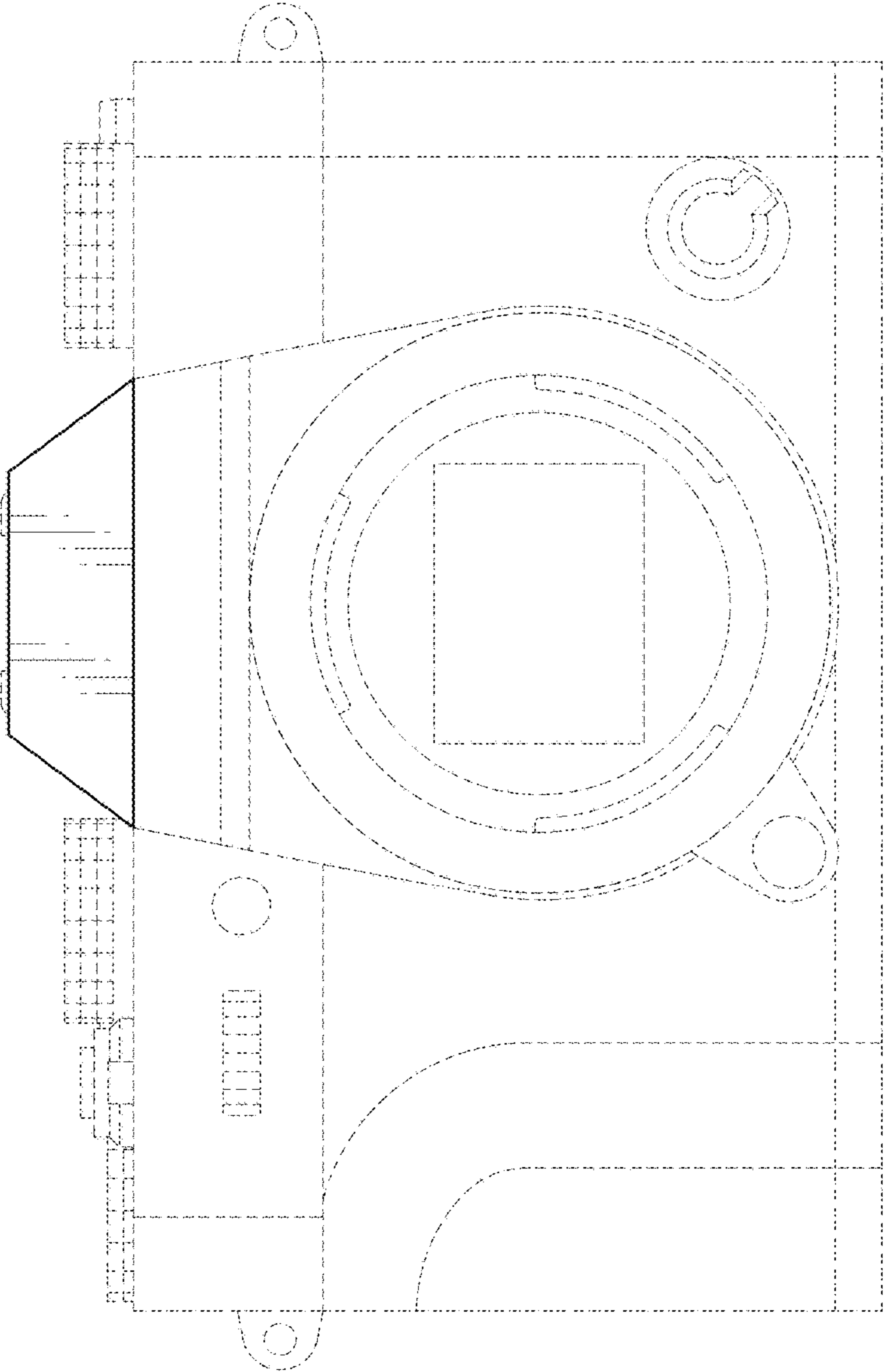


FIG. 10

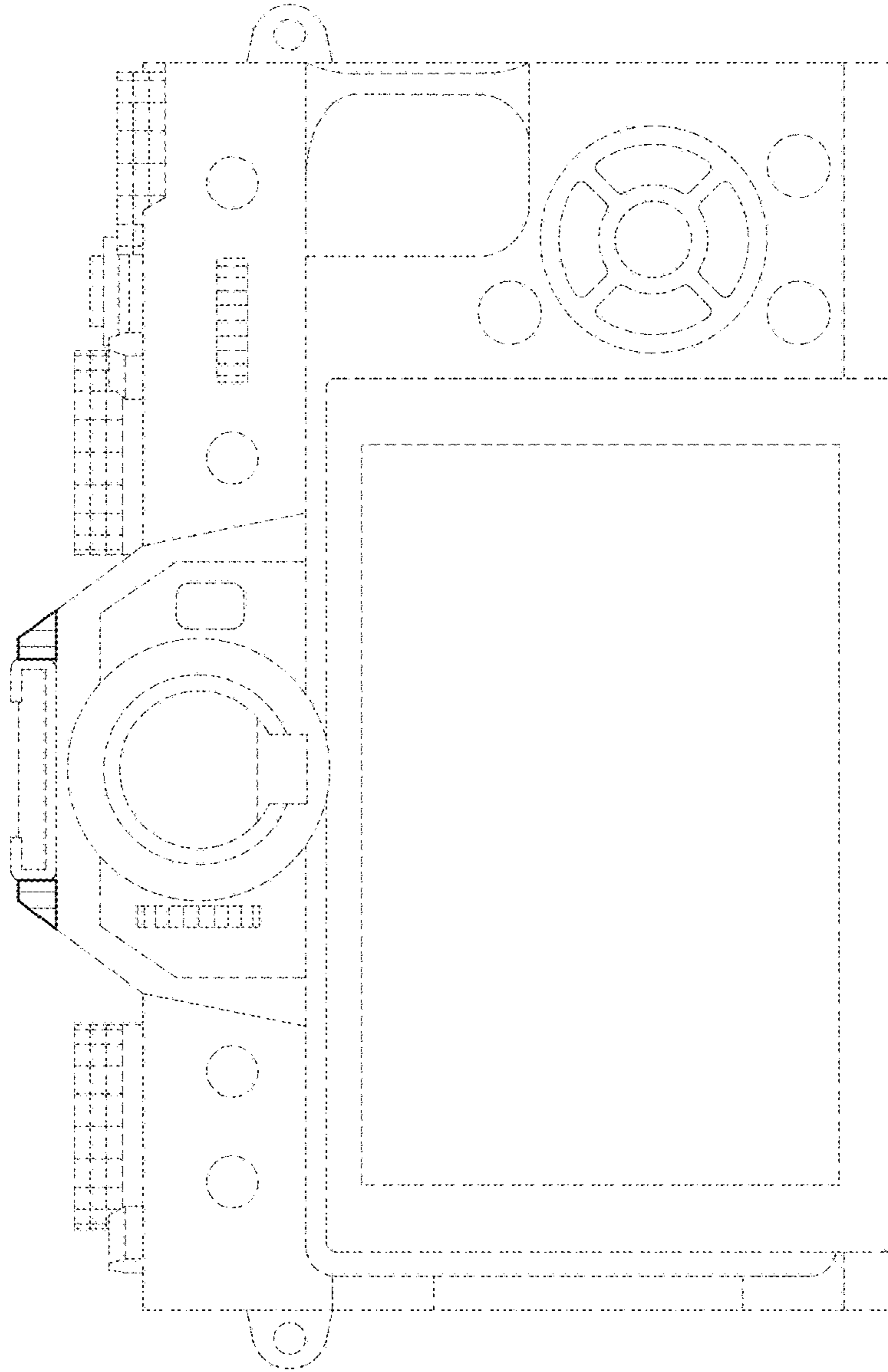


FIG. 11

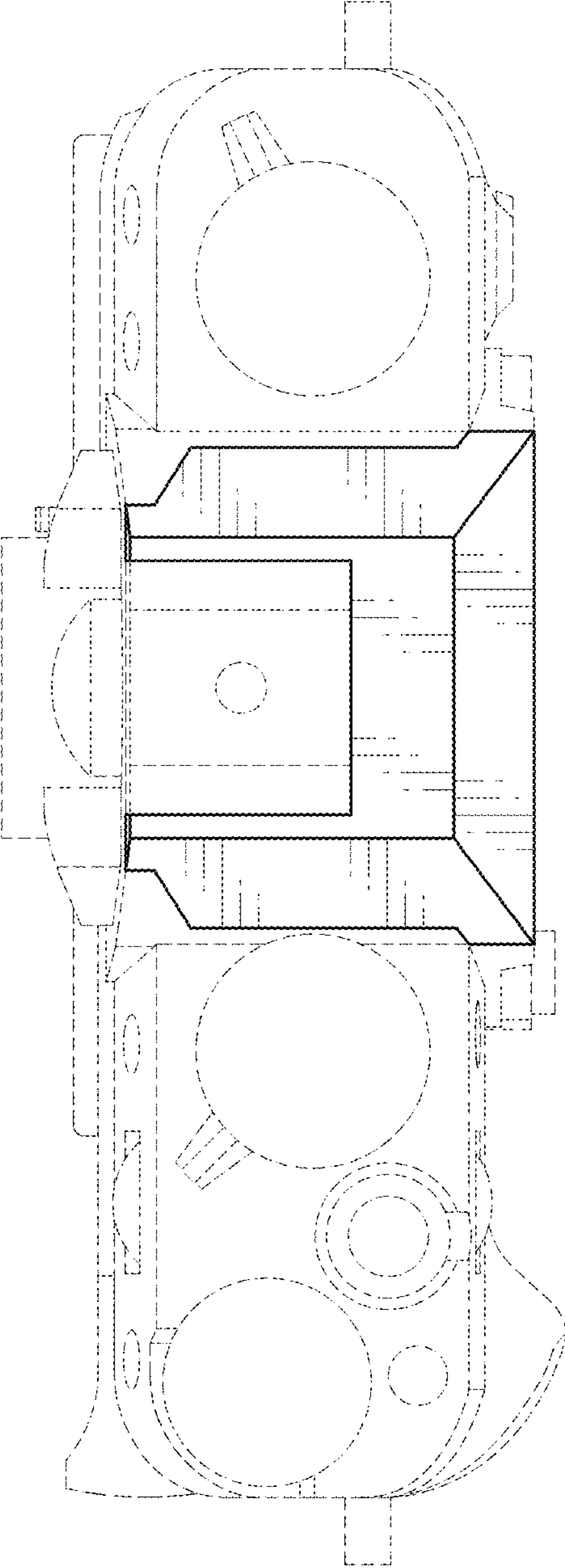


FIG. 12

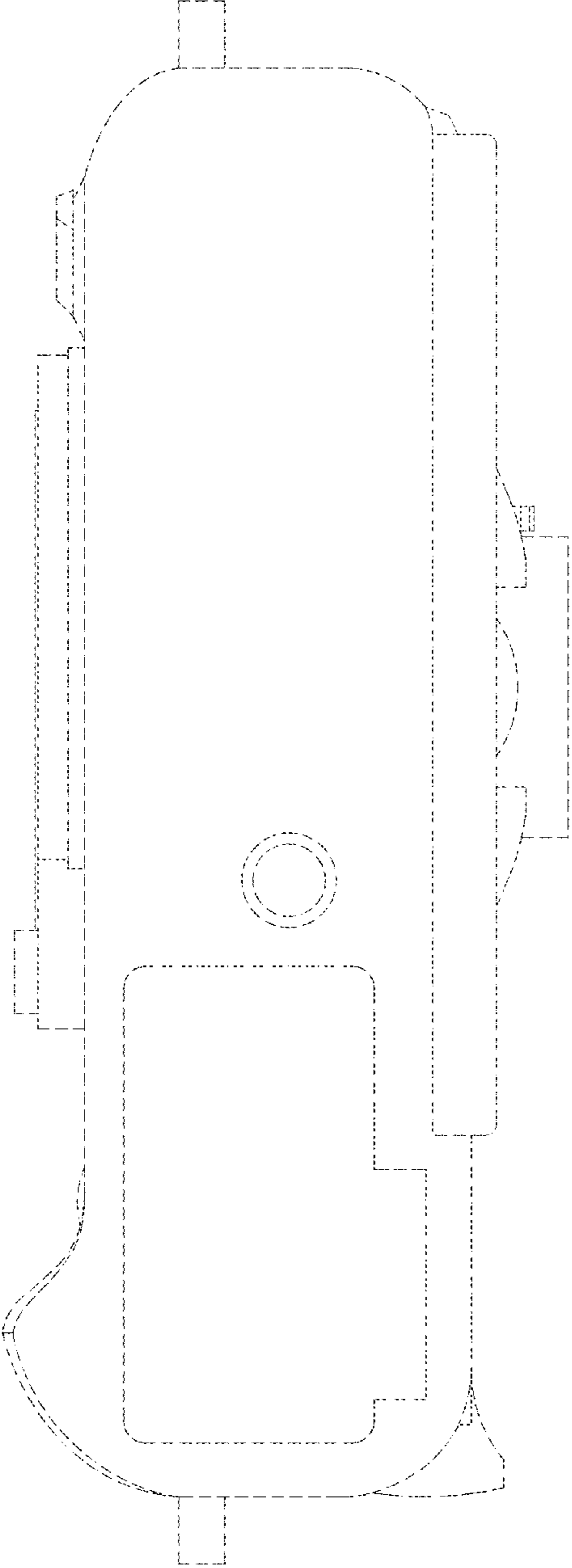


FIG. 13

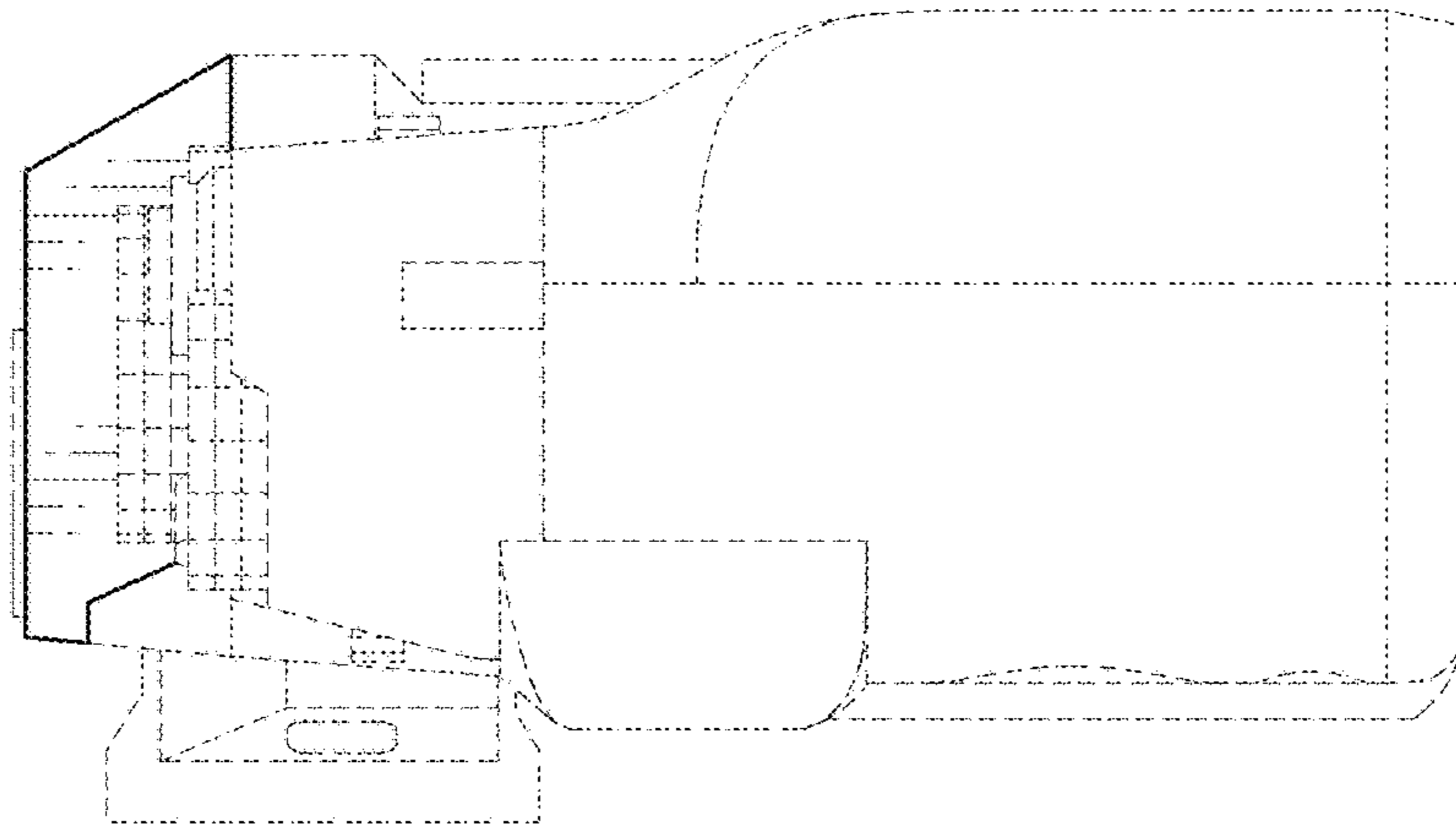


FIG. 14

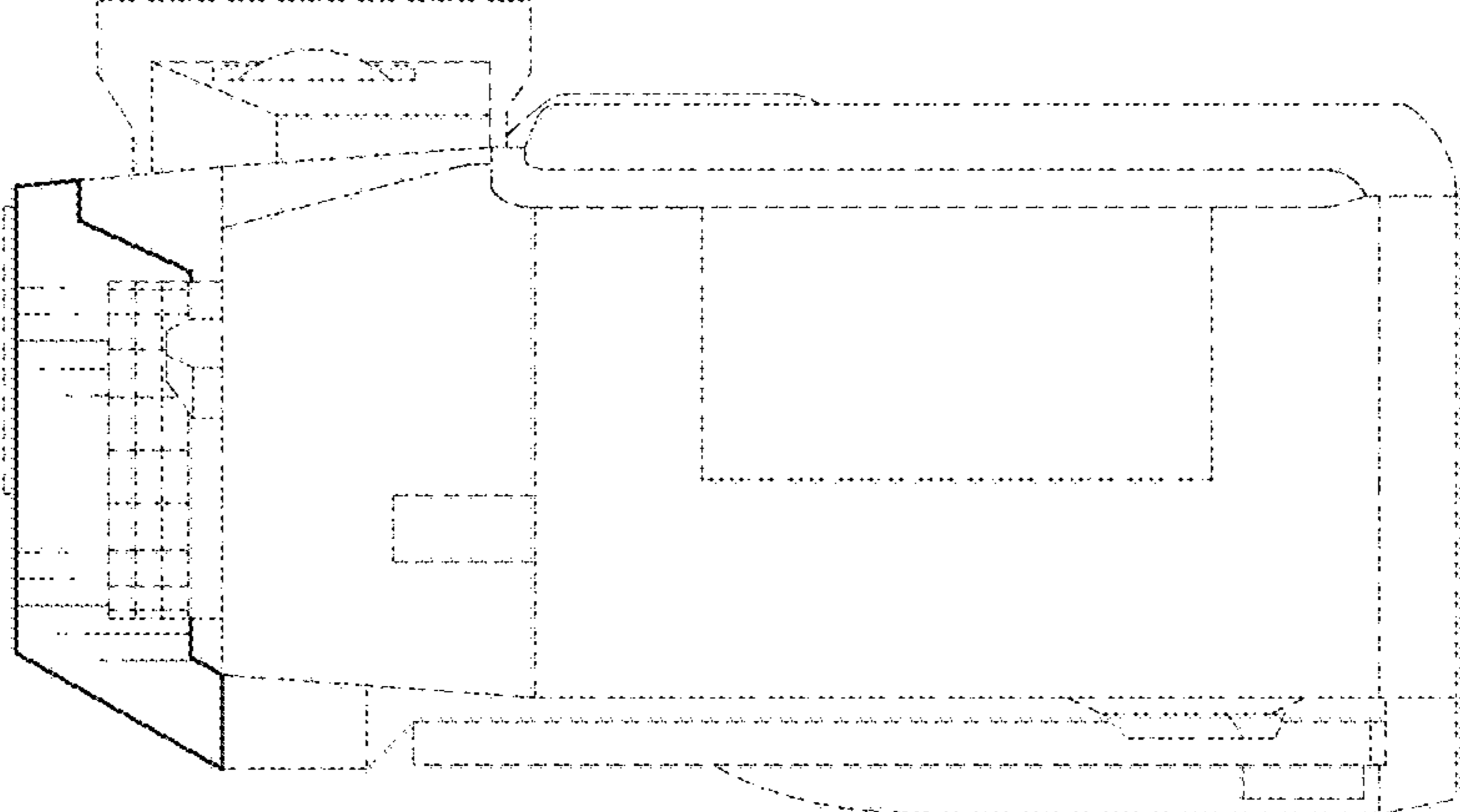




FIG. 15

