



US00D819720S

(12) **United States Design Patent**
Sakai

(10) **Patent No.:** **US D819,720 S**
(45) **Date of Patent:** **** *Jun. 5, 2018**

(54) **DIGITAL CAMERA**

(71) Applicant: **FUJIFILM Corporation**, Tokyo (JP)

(72) Inventor: **Masayuki Sakai**, Tokyo (JP)

(73) Assignee: **FUJIFILM Corporation**, Tokyo (JP)

(*) Notice: This patent is subject to a terminal disclaimer.

(**) Term: **15 Years**

(21) Appl. No.: **29/556,662**

(22) Filed: **Mar. 2, 2016**

(30) **Foreign Application Priority Data**

Sep. 11, 2015 (JP) 2015-020273

(51) **LOC (11) Cl.** **16-05**

(52) **U.S. Cl.**
USPC **D16/219**; D16/209

(58) **Field of Classification Search**
USPC D14/307; D16/200-220, 229, 230, 242,
D16/244, 245, 238; D20/21, 38, 338;
D23/283, 305; D25/20, 58
CPC H04N 7/181; H04N 7/183; H04N 7/18;
H04N 3/08; H04N 5/23248; H04N
5/23287; H04N 5/23258; H04N 5/2251;
H04N 5/2252; H04N 2007/145; G01C
11/025; G03B 15/00; G03B 15/03; G03B
17/56; G03B 17/02; G03B 17/30; G03B
17/04; G03B 17/00; G03B 19/04; G03B
3/00; B60R 1/00; B60R 2300/105; G08B
13/19619; G08B 13/1963; G08B
13/19632; F16M 11/04; F16M 13/00;
Y02E 60/12

See application file for complete search history.

(56) **References Cited**

U.S. PATENT DOCUMENTS

D215,184 S * 9/1969 Mazur D16/217
D263,310 S * 3/1982 Kato D16/217

D268,416 S * 3/1983 Rubner D16/209
D306,742 S * 3/1990 Goto D16/217
5,028,949 A * 7/1991 Kawano G02B 7/32
396/106
5,208,622 A * 5/1993 Kawano G03B 17/02
396/178
5,623,712 A * 4/1997 Onda G03B 17/02
396/424

(Continued)

OTHER PUBLICATIONS

Fujifilm X-10, announced Nov. 15, 2015, [site visited Apr. 28, 2017], Available from Internet, URL: <https://web.archive.org/web/20151215125025/https://www.bhphotovideo.com/c/product/1149206-REG/fujifilm_16471574_x_t10_mirrorless_digital_camera.html>.*

(Continued)

Primary Examiner — Barbara Fox
Assistant Examiner — Mary C Ramirez
(74) *Attorney, Agent, or Firm* — Young & Thompson

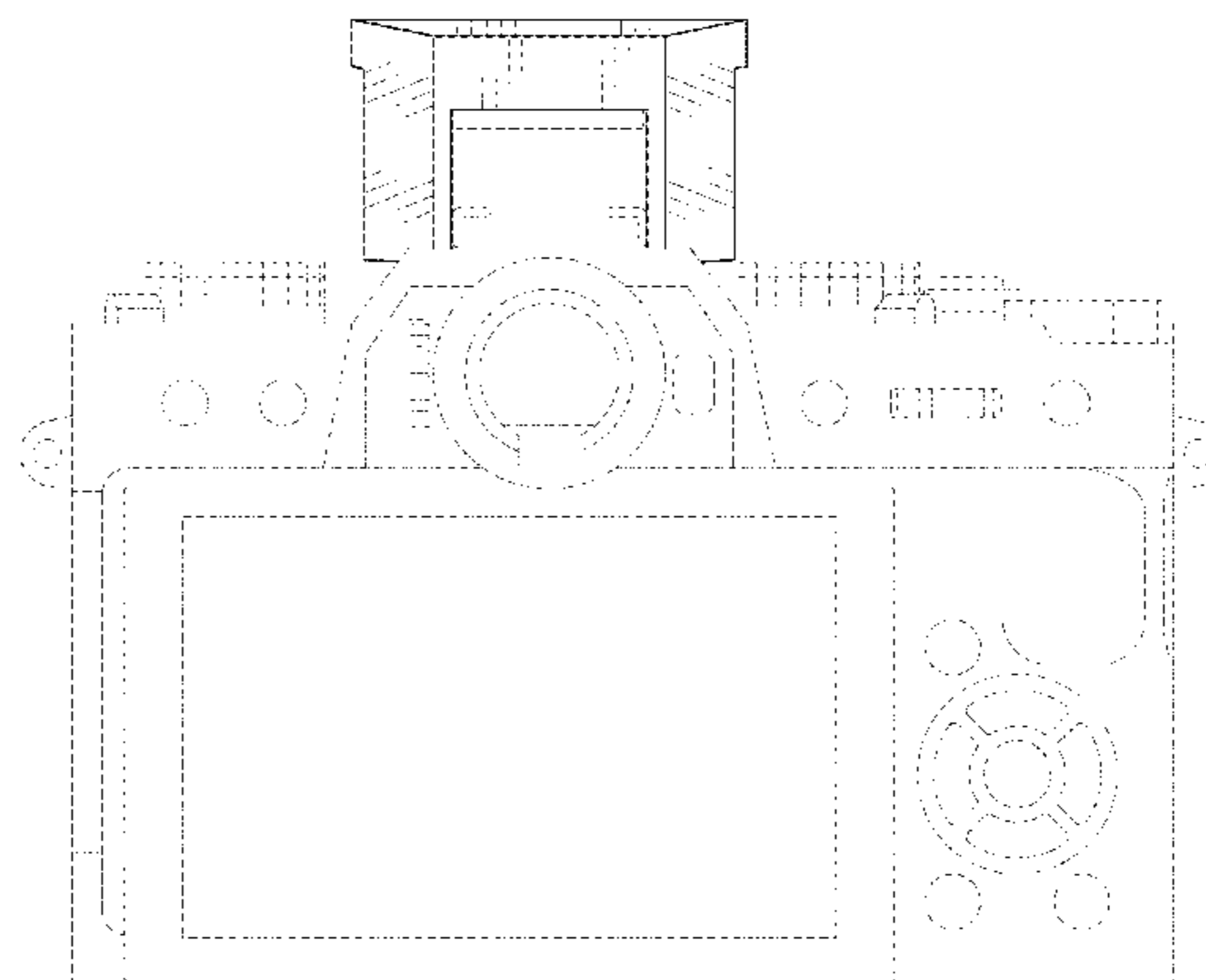
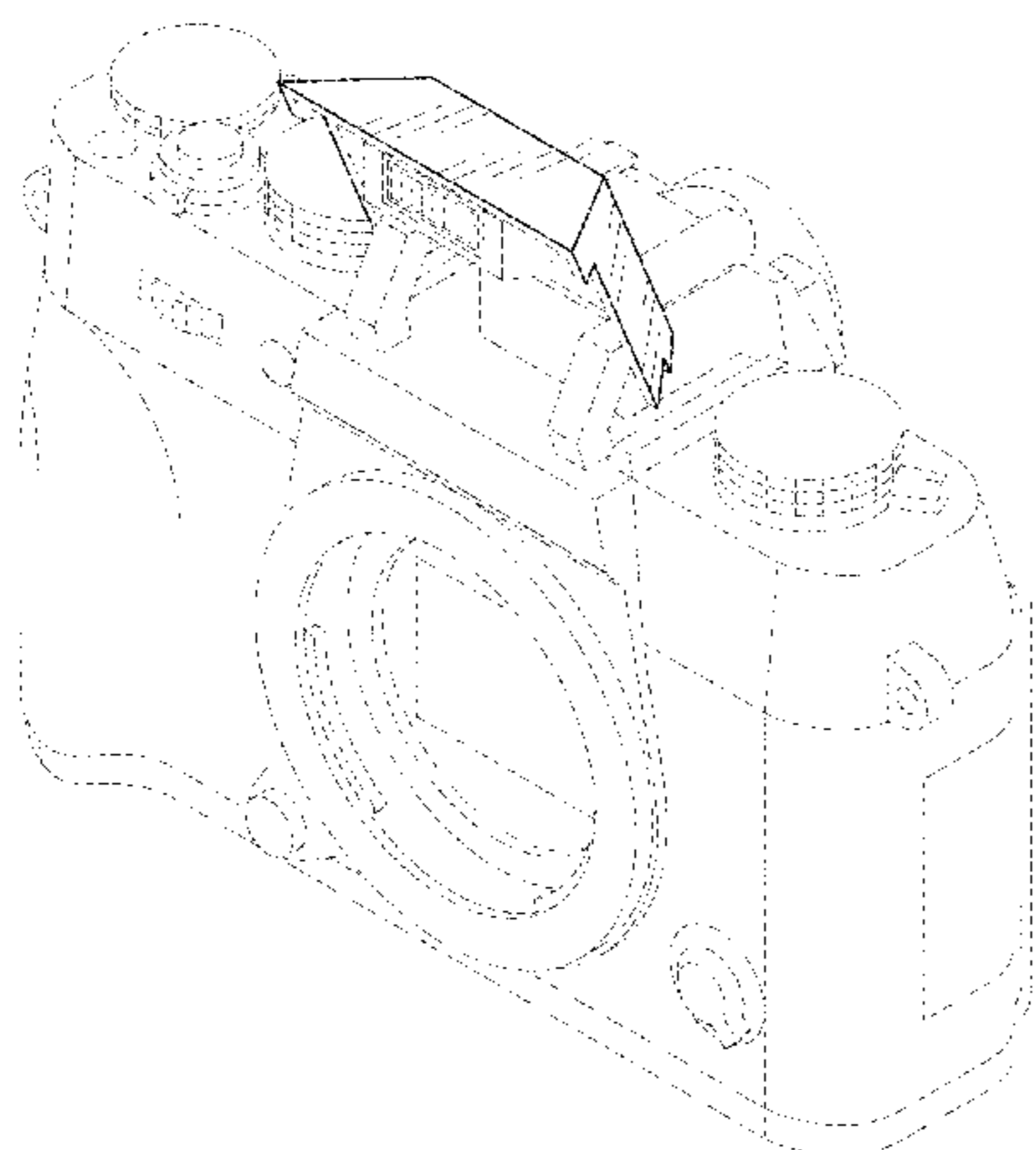
(57) **CLAIM**

The ornamental design for a digital camera, as shown and described.

DESCRIPTION

FIG. 1 is a top, front and right side perspective view of a digital camera showing my new design;
FIG. 2 is a front elevational view thereof;
FIG. 3 is a rear elevational view thereof;
FIG. 4 is a top plan view thereof;
FIG. 5 is a bottom plan view thereof;
FIG. 6 is a left side elevational view thereof;
FIG. 7 is a right side elevational view thereof; and,
FIG. 8 is another top, front and right side perspective view thereof with a lens attached.
The broken lines shown in the drawings illustrate portions of the digital camera that form no part of the claimed design.

1 Claim, 8 Drawing Sheets



(56)

References Cited

U.S. PATENT DOCUMENTS

6,058,271 A * 5/2000 Tenmyo G03B 15/03
 396/198
 D681,090 S * 4/2013 Tainaka D16/200
 D733,782 S * 7/2015 Sakai D16/202
 D738,418 S * 9/2015 Imai D16/202
 D746,351 S * 12/2015 Sogabe D16/202
 D754,772 S * 4/2016 Nohara D16/219
 D777,233 S * 1/2017 Sakai D16/202
 D797,837 S * 9/2017 Osada D16/219
 2009/0231450 A1 * 9/2009 Tanaka G03B 5/02
 348/208.7
 2010/0254698 A1 * 10/2010 Louis G03B 17/00
 396/448
 2012/0045194 A1 * 2/2012 Yoshii G02B 7/282
 396/89
 2013/0182404 A1 * 7/2013 Mitani G03B 15/03
 362/3

OTHER PUBLICATIONS

Pentax MX, announced 1980, [site visited Apr. 28, 2017], Available from Internet, URL: <<http://www.pxeyes.com/blog/2011/08/the-twenty-most-popular-35mm-photo-cameras-in-history/>>.*

Pentax LX, announced 2008, [site visited Apr. 28, 2017], Available from Internet, URL: <<http://mir.com.my/rb/photography/hardwares/classics/pentaxlx/viewfinders/>>.*

Ricoh KR-5 Super II, announced 1993, [site visited Apr. 28, 2017], Available from Internet, URL: <http://camera-wiki.org/wiki/Ricoh_KR-5_Super_II>.*

* cited by examiner

FIG. 1

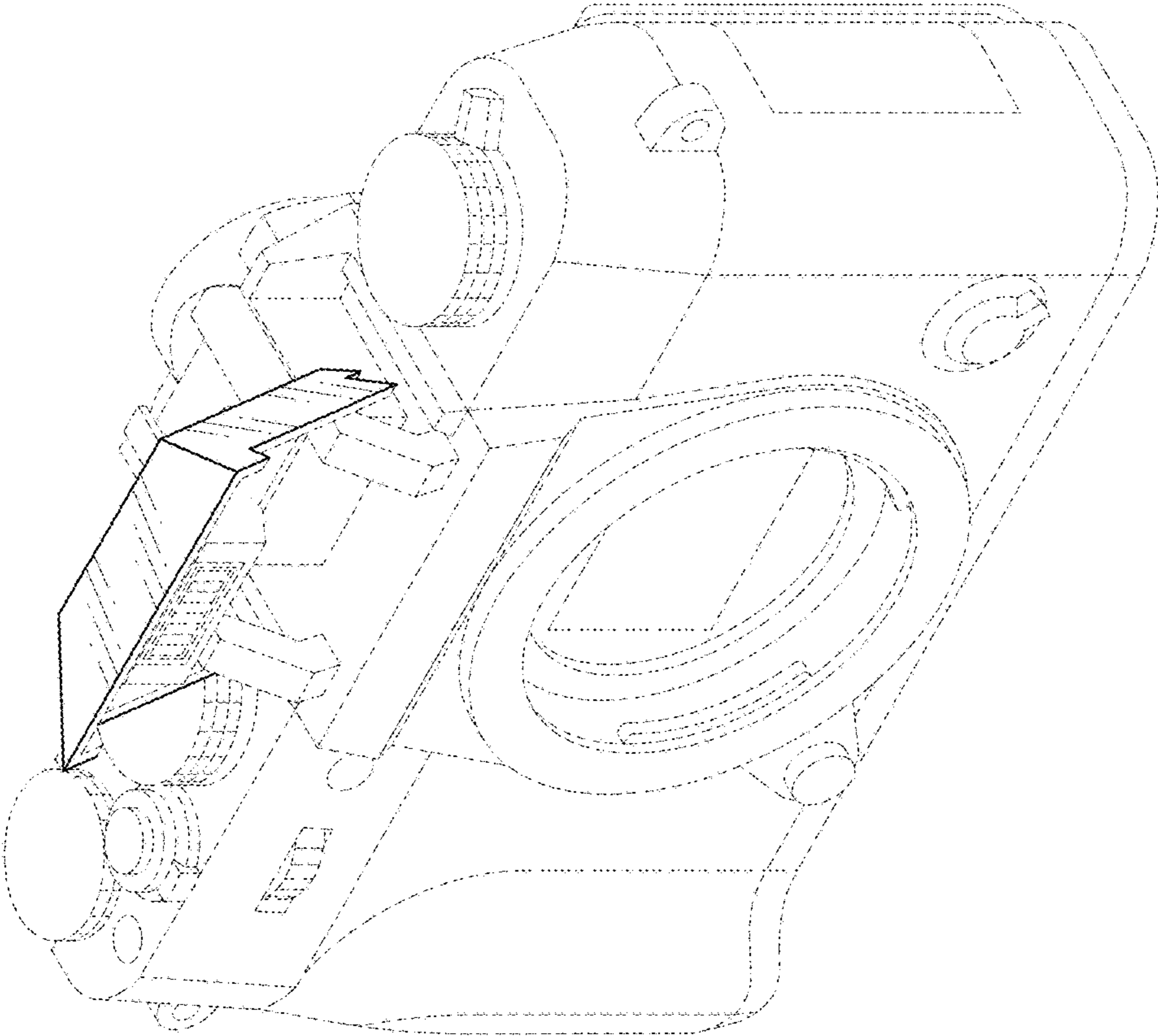


FIG. 2

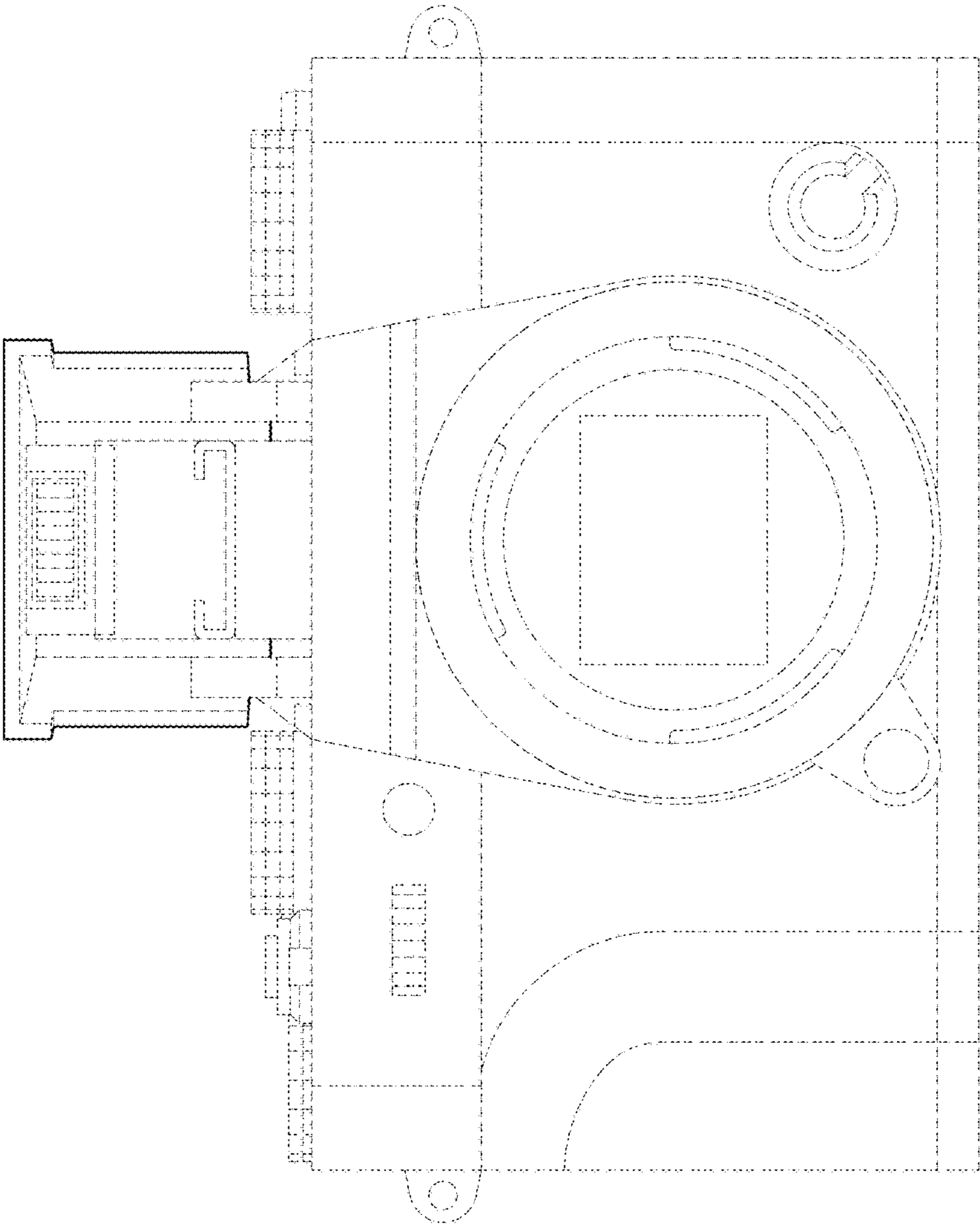


FIG. 3

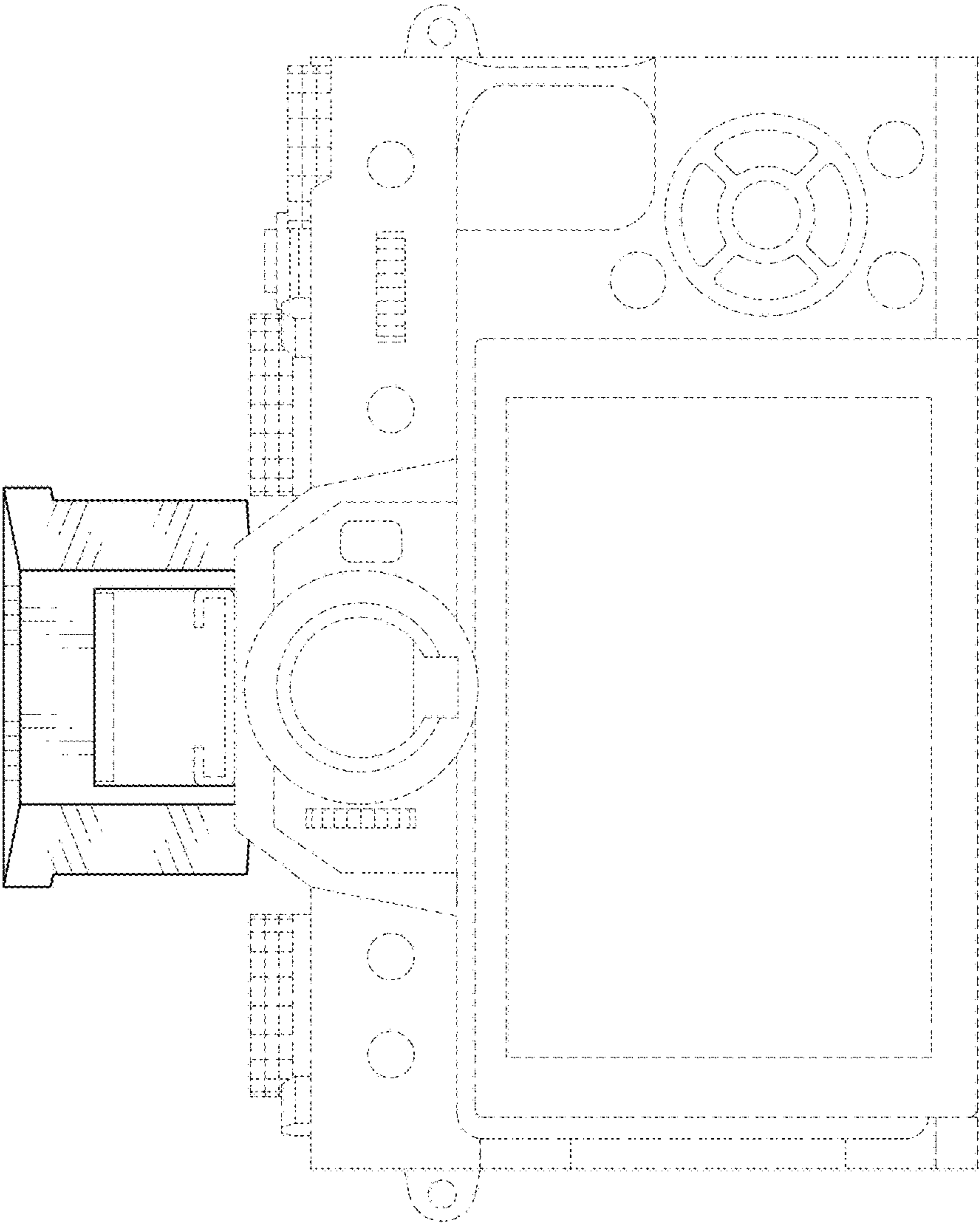


FIG. 4

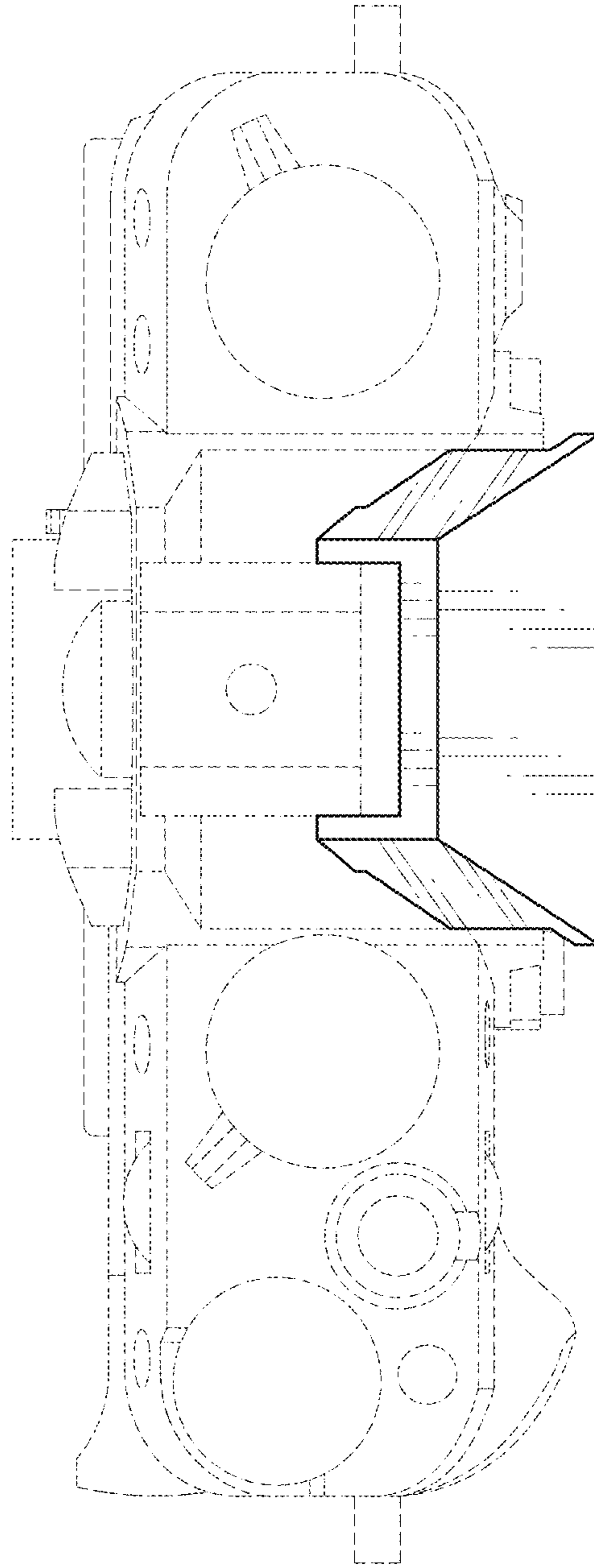


FIG. 5

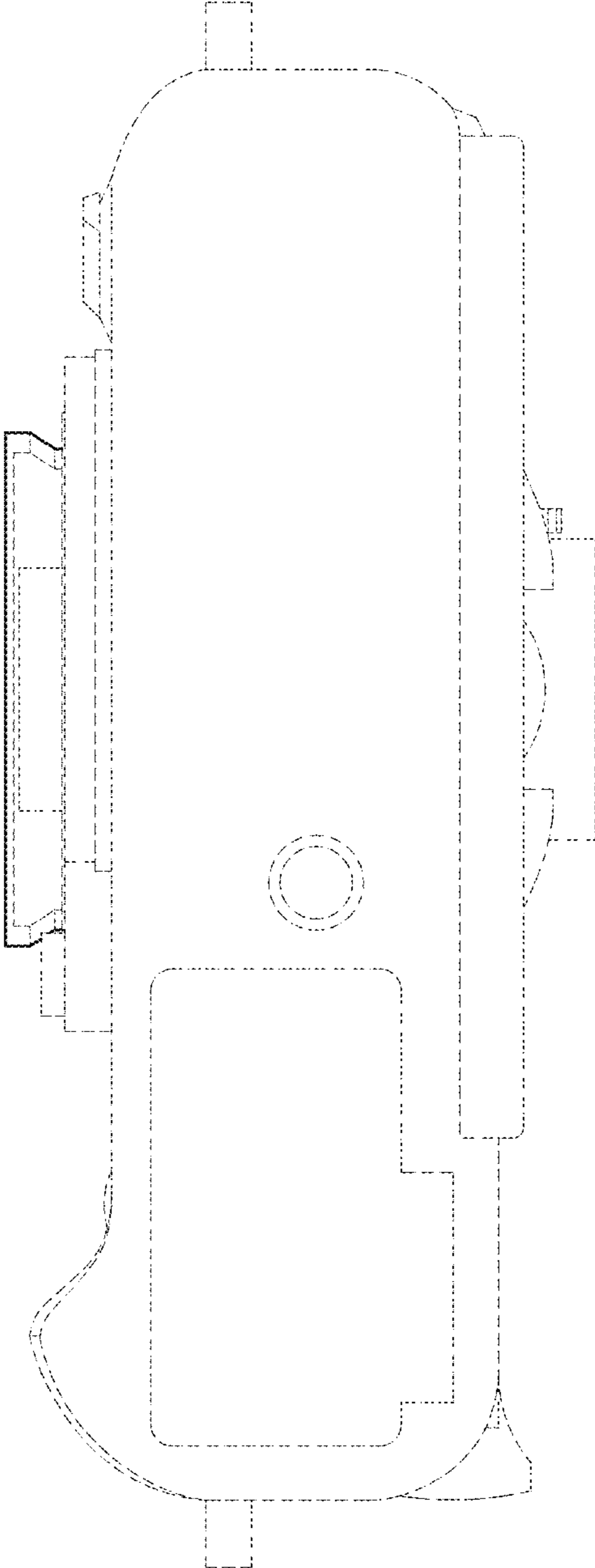


FIG. 6

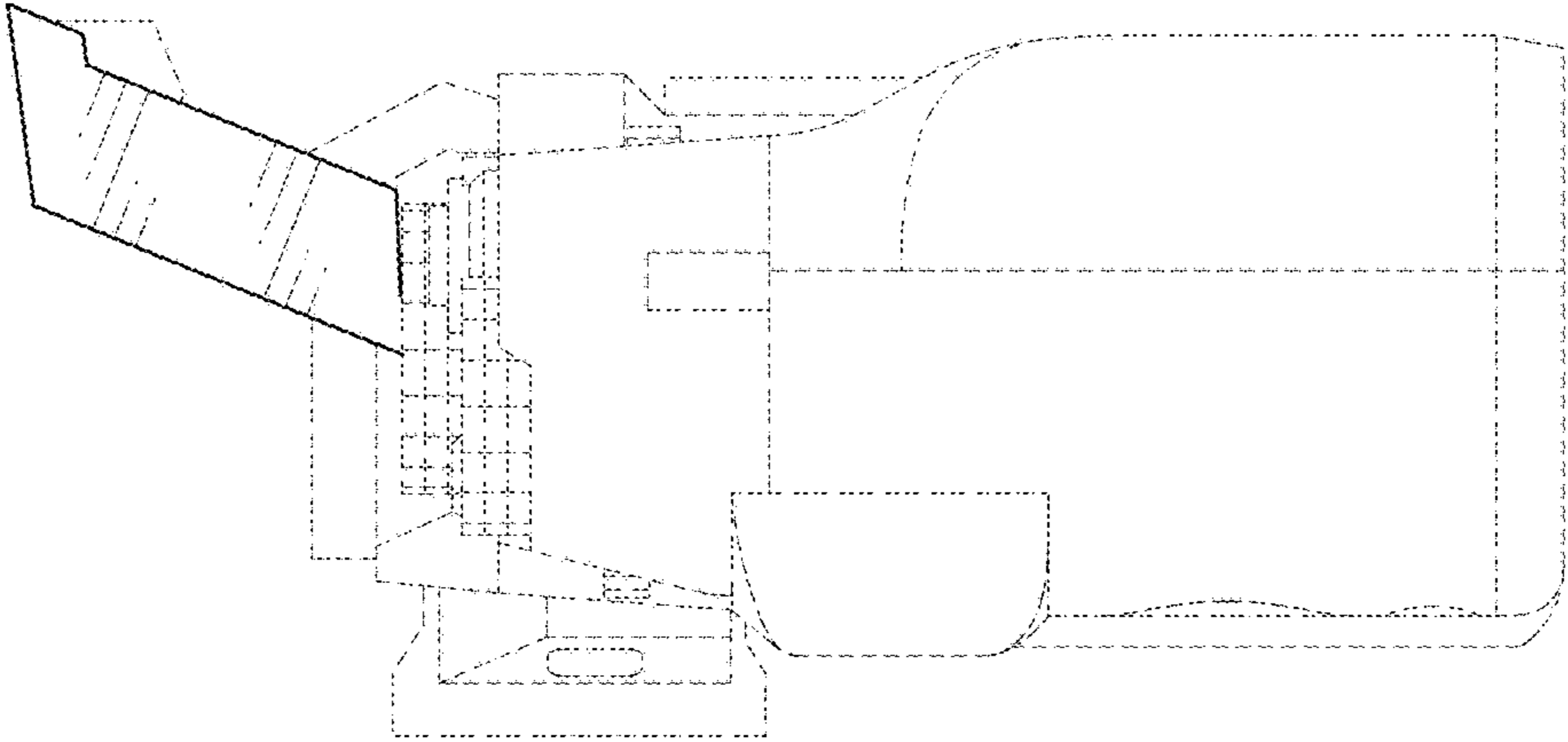


FIG. 7

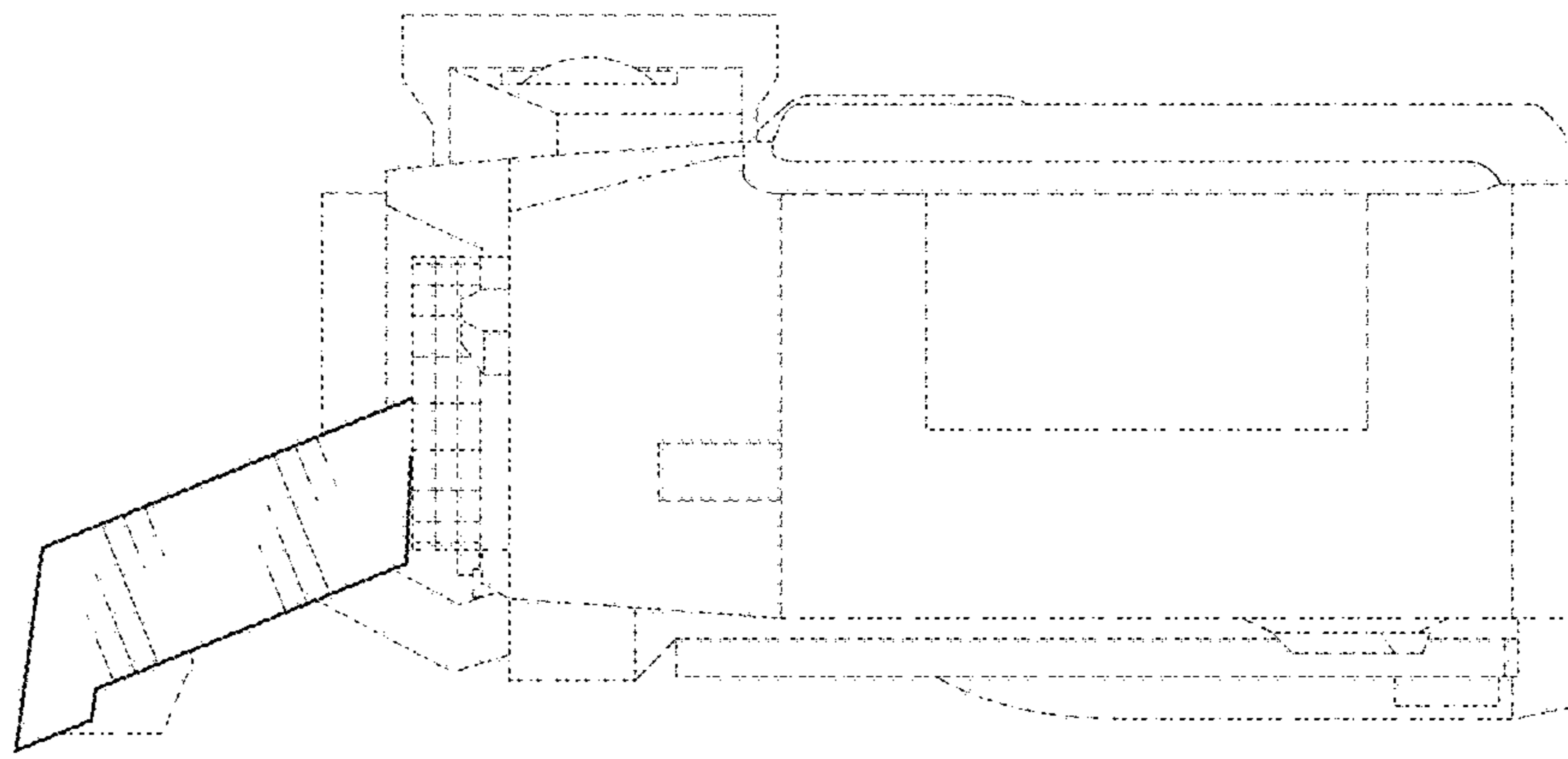


FIG. 8

