



US00D819718S

(12) **United States Design Patent**  
**Wu et al.**

(10) **Patent No.:** **US D819,718 S**  
(45) **Date of Patent:** **\*\* Jun. 5, 2018**

(54) **CAMERA**  
(71) Applicant: **Shenzhen Arashi Vision Company Limited**, Shenzhen, Guangdong Province (CN)  
(72) Inventors: **Qijiang Wu**, Shenzhen (CN); **Yimin Wang**, Shenzhen (CN)  
(73) Assignee: **SHENZHEN ARASHI VISION COMPANY LIMITED**, Shenzhen, Guangdong Province (CN)

7,429,997 B2 \* 9/2008 Givon ..... G03B 35/00 348/38  
D690,344 S \* 9/2013 Hollinger ..... D16/200  
D700,232 S \* 2/2014 Ramsay ..... D16/207  
D723,604 S \* 3/2015 Mohan ..... D16/203  
D730,966 S \* 6/2015 Liu ..... D16/202  
D731,579 S \* 6/2015 Bart ..... D16/203  
D742,955 S \* 11/2015 Kozko ..... D16/207  
D745,076 S \* 12/2015 Pfeil ..... D16/207  
D750,147 S \* 2/2016 Muller ..... D16/203  
D792,496 S \* 7/2017 Meyer ..... D16/207  
2011/0128349 A1 \* 6/2011 Theobald ..... H04N 5/23238 348/36

(\*\*) Term: **15 Years**  
(21) Appl. No.: **29/601,298**  
(22) Filed: **Apr. 20, 2017**

\* cited by examiner  
*Primary Examiner* — Philip S Hyder  
*Assistant Examiner* — Ramzi Almatrahi  
(74) *Attorney, Agent, or Firm* — Cheng-Ju Chiang

(30) **Foreign Application Priority Data**

Oct. 25, 2016 (CN) ..... 2016 3 0524729  
(51) **LOC (11) Cl.** ..... **16-01**  
(52) **U.S. Cl.**  
USPC ..... **D16/218**; D16/207  
(58) **Field of Classification Search**  
USPC ..... D16/200, 202–208, 218, 219, 242;  
348/143, 148, 151, 373–376; 396/419,  
396/427, 535, 539–541  
CPC ..... G03B 17/02; G03B 19/04; G03B 17/56;  
G03B 17/04; G03B 15/03; H04N 5/2251;  
H04N 5/2252; H04N 5/2253; H04N  
5/2254; H04N 7/181; H04N 7/183; H04N  
7/18; G08B 13/1963; G08B 13/19619;  
G08B 13/19632  
See application file for complete search history.

(57) **CLAIM**

The ornamental design for a camera, as shown and described.

**DESCRIPTION**

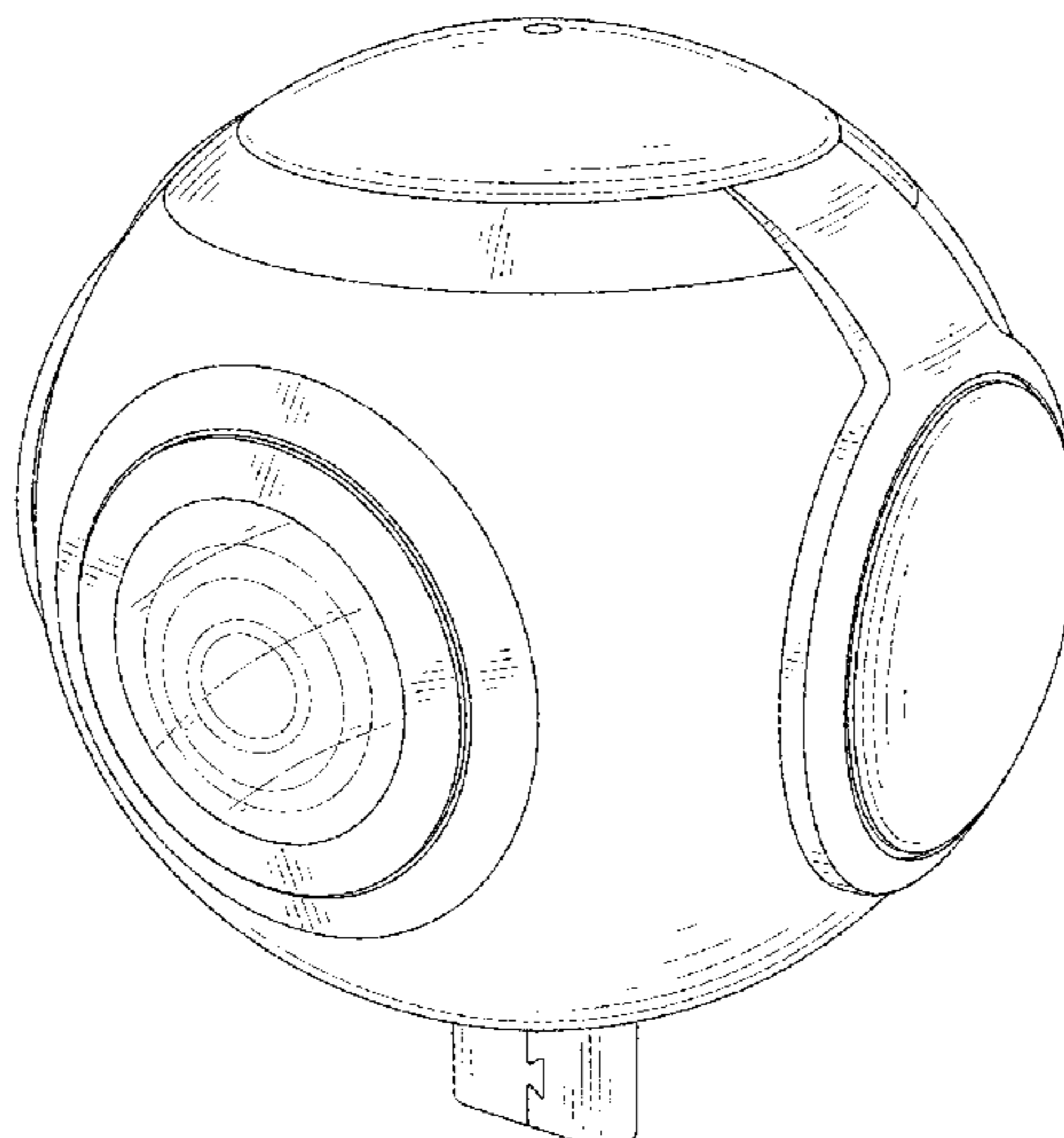
FIG. 1 is a top, front and right side perspective view of a camera showing our new design;  
FIG. 2 is a front elevational view thereof;  
FIG. 3 is a rear elevational view thereof;  
FIG. 4 is a left side elevational view thereof;  
FIG. 5 is a right side elevational view thereof;  
FIG. 6 is a top plan view thereof; and,  
FIG. 7 is a bottom plan view thereof.

(56) **References Cited**

**U.S. PATENT DOCUMENTS**

D527,406 S \* 8/2006 Lin ..... D16/202  
D554,682 S \* 11/2007 Martinez ..... D16/203

**1 Claim, 7 Drawing Sheets**



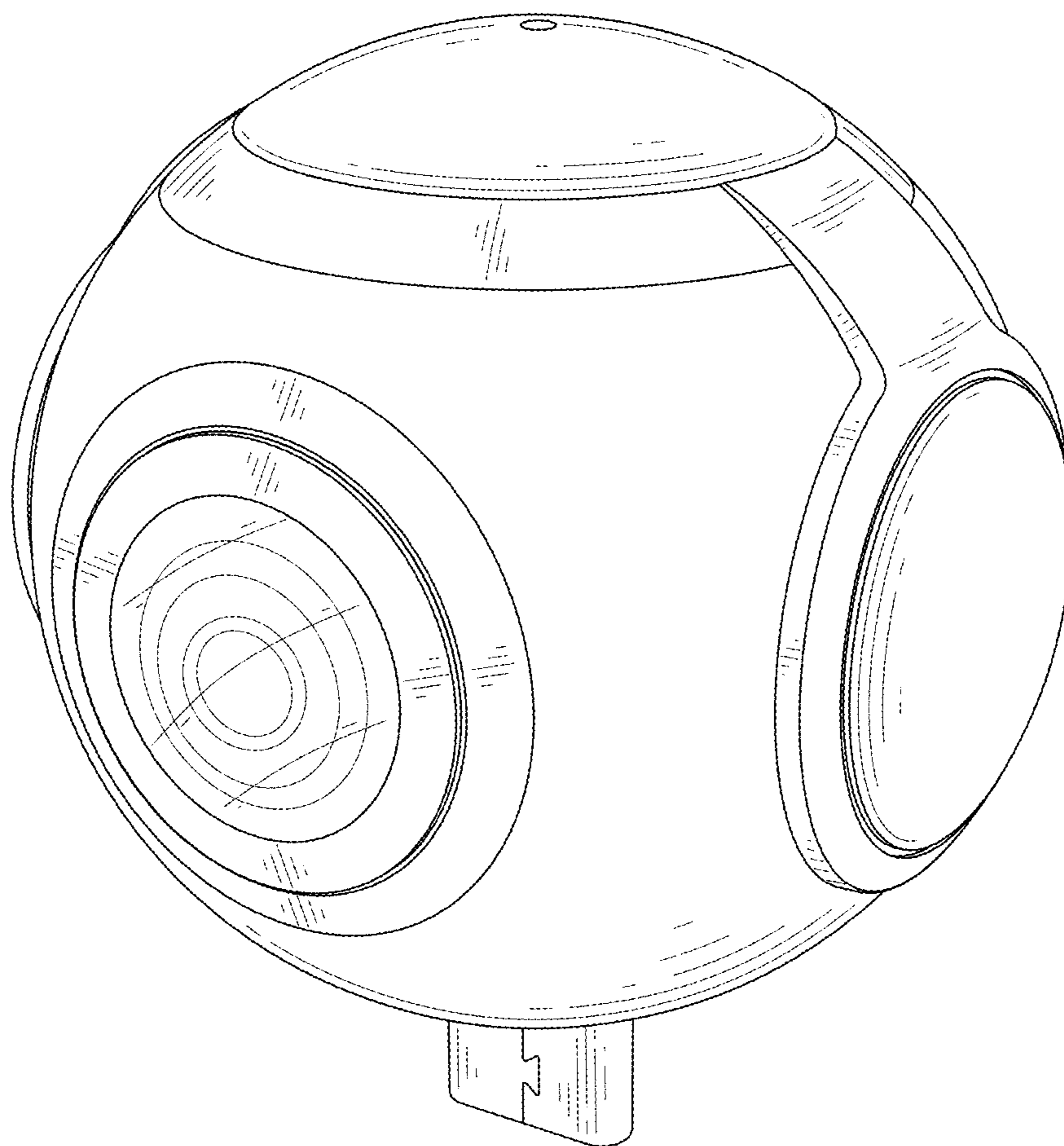


FIG. 1

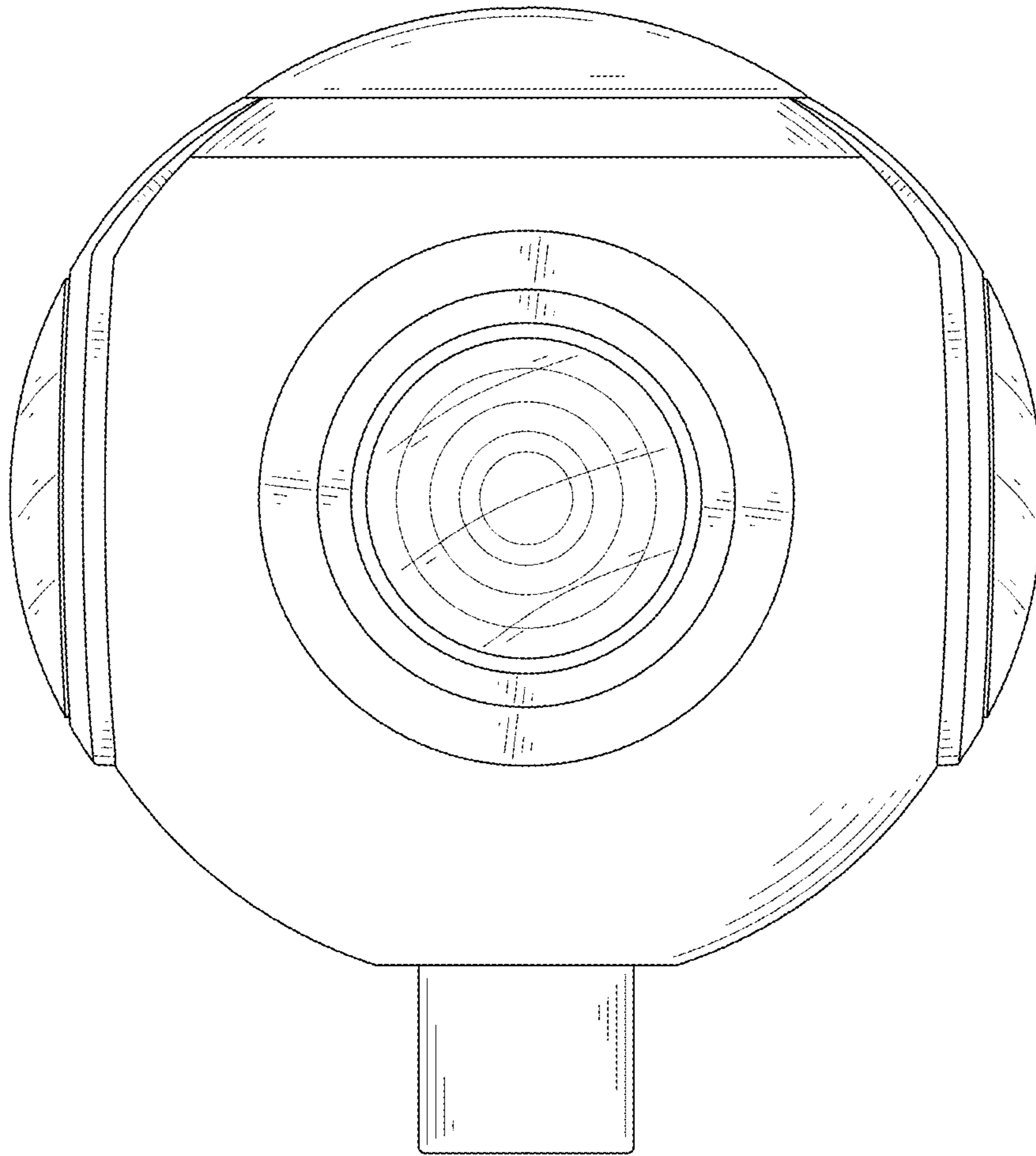


FIG. 2

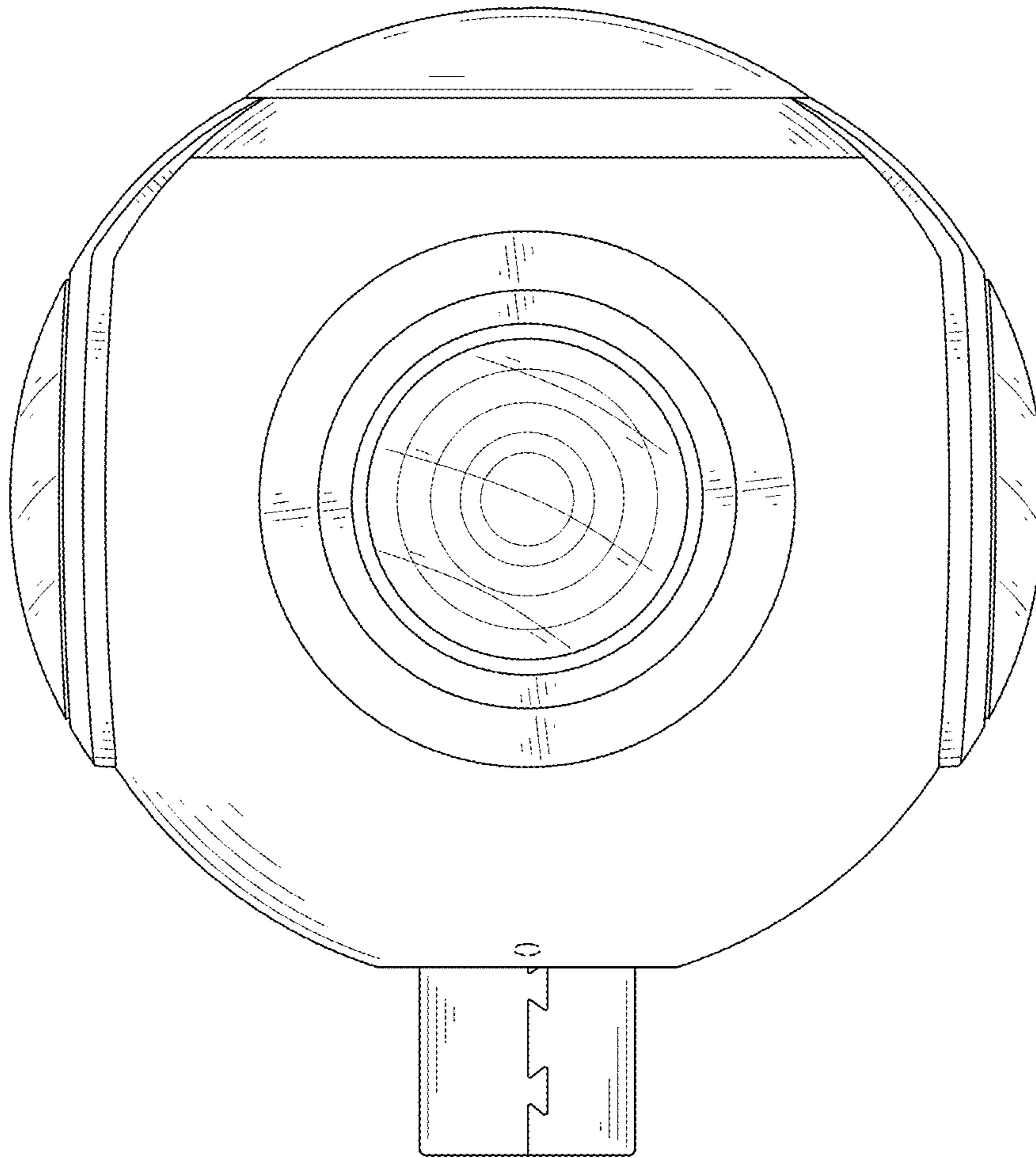


FIG. 3

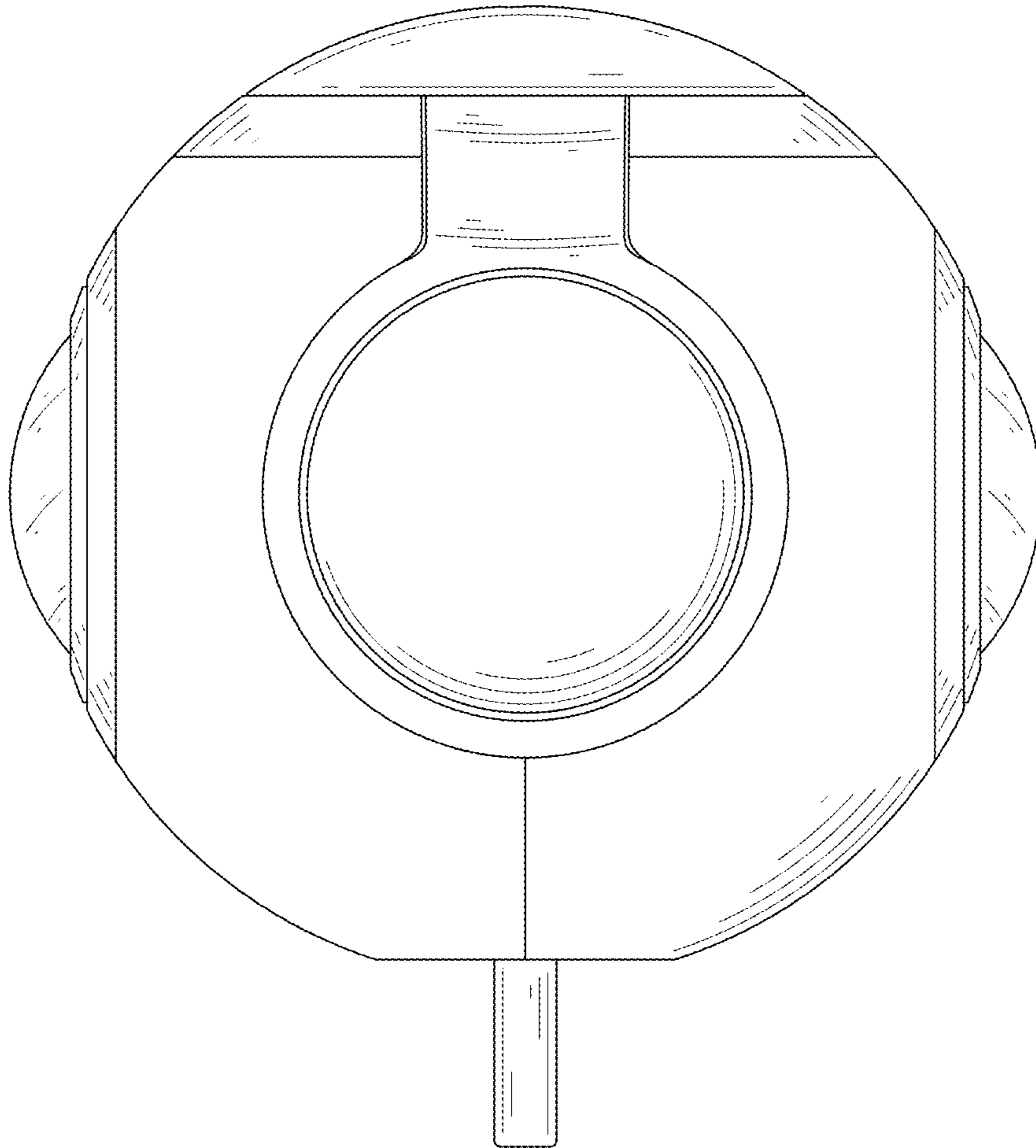


FIG. 4

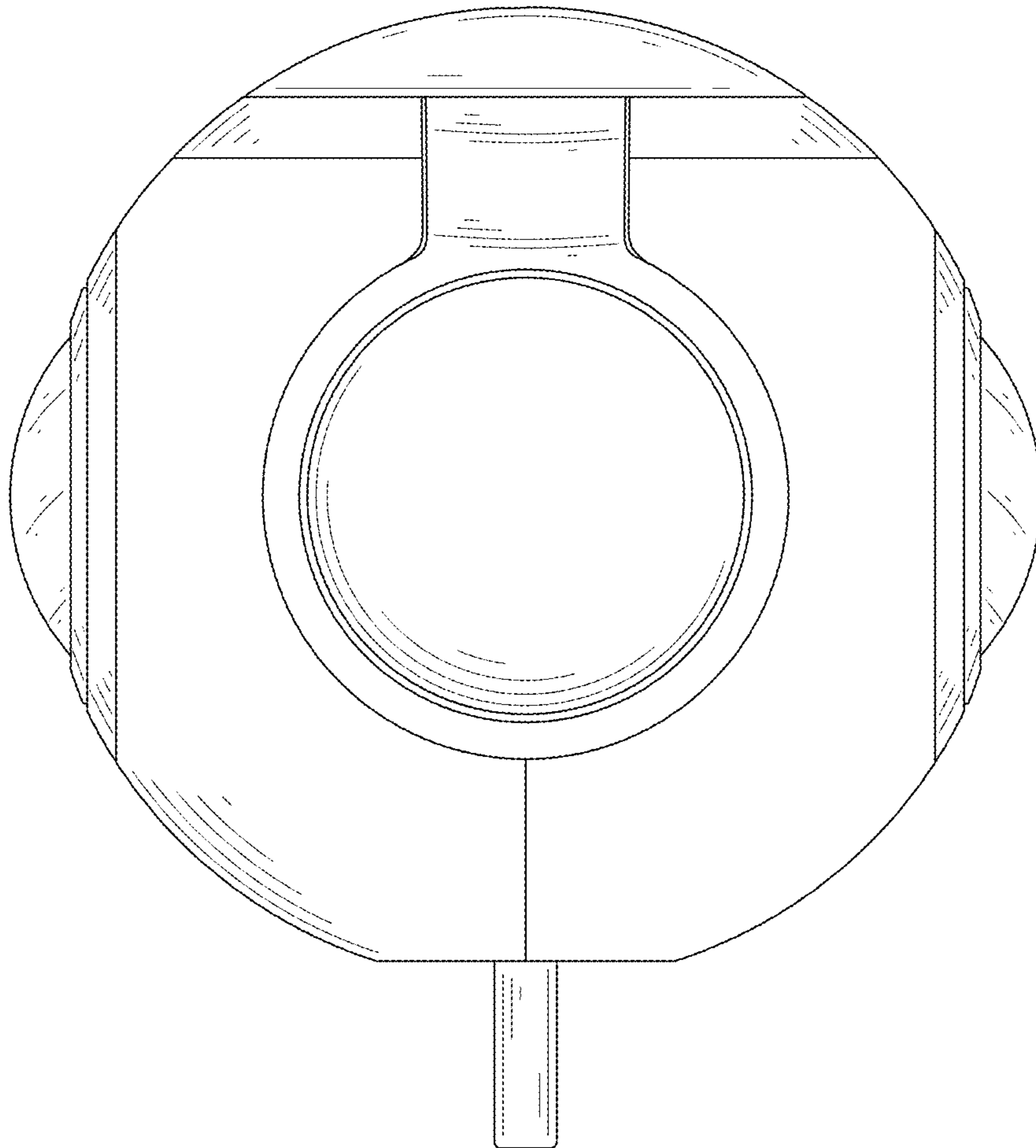


FIG. 5

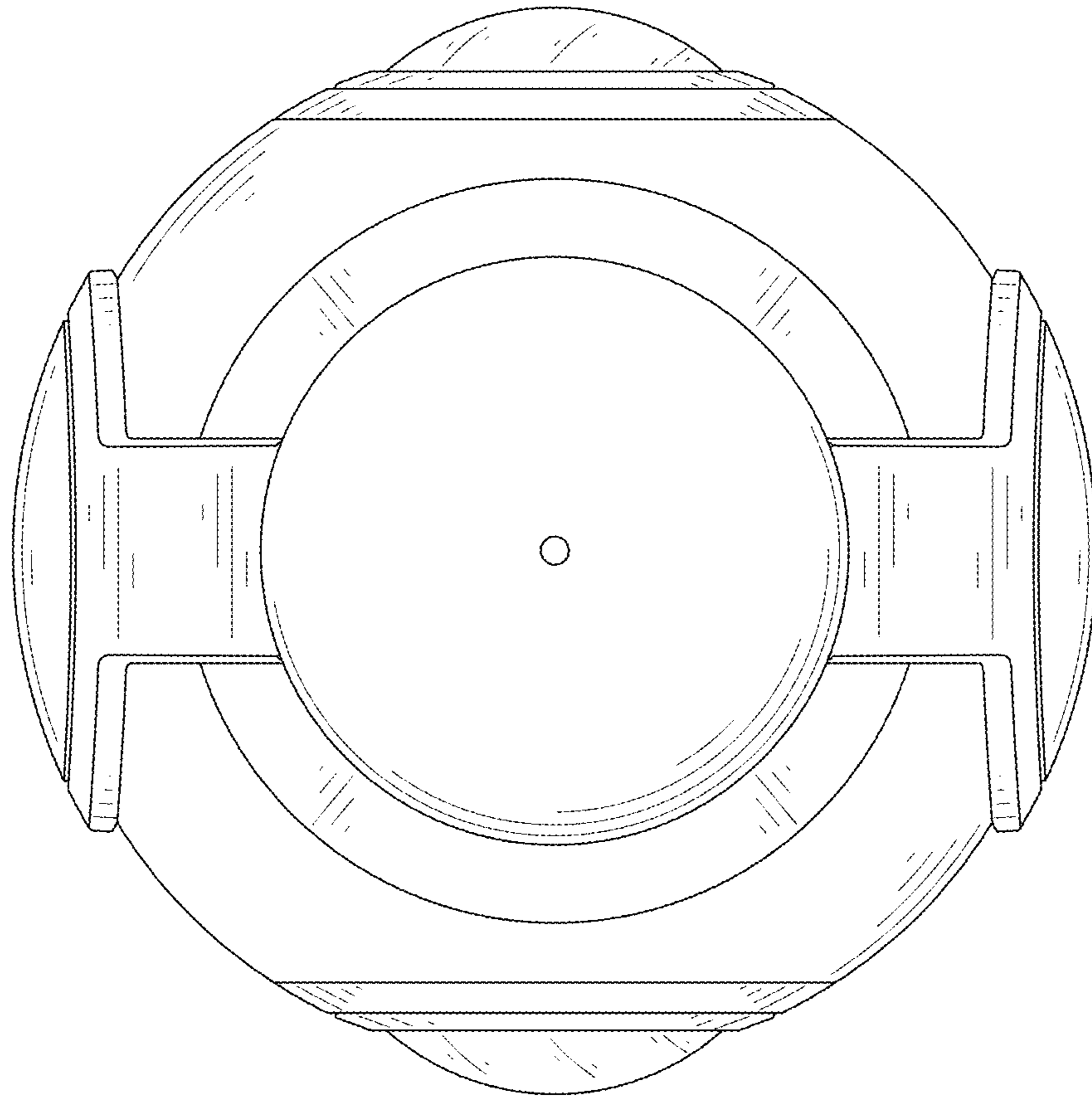


FIG. 6

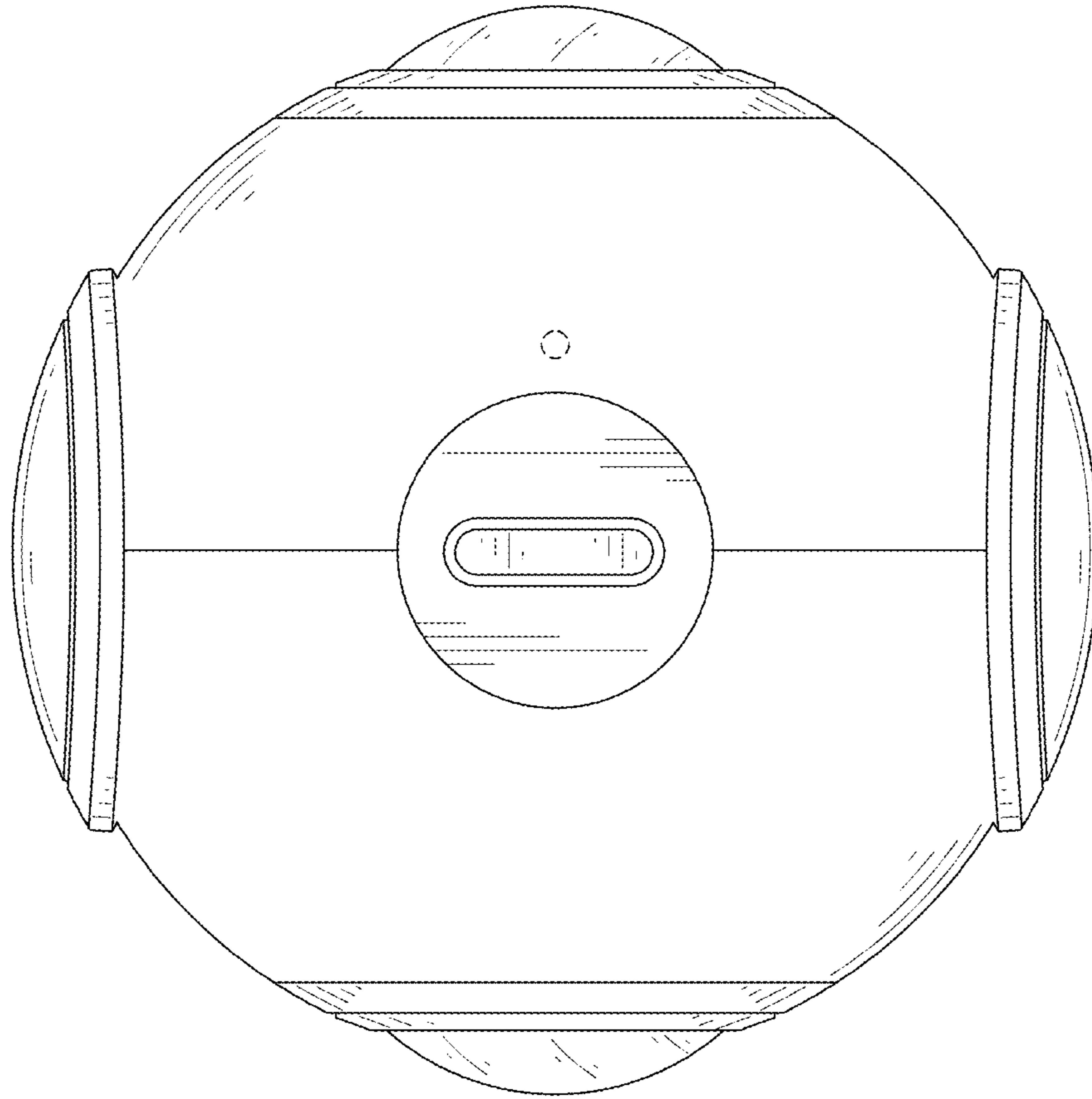


FIG. 7