



US00D819717S

(12) **United States Design Patent** (10) **Patent No.:** **US D819,717 S**
Elmieh et al. (45) **Date of Patent:** **** Jun. 5, 2018**

(54) **CAMERA**

(56) **References Cited**

(71) Applicant: **Facebook, Inc.**, Menlo Park, CA (US)
(72) Inventors: **Baback Elmieh**, Palo Alto, CA (US);
Alexandre Jais, Menlo Park, CA (US);
Rex Wenters Crossen, Piedmont, CA (US);
Steve Sangik Lee, San Francisco, CA (US);
Achille Biteau, San Francisco, CA (US);
Victoria Slaker, San Francisco, CA (US);
Clara Stefanov Wagner, San Francisco, CA (US);
Zoltan Laszlo, San Francisco, CA (US);
Arturo Meuniot, San Francisco, CA (US)

U.S. PATENT DOCUMENTS

| | | | | |
|-------------------|---------|----------|-------|------------------------|
| D674,832 S * | 1/2013 | Zhang | | D16/202 |
| 8,467,675 B2 * | 6/2013 | Chen | | G03B 17/02 348/374 |
| D739,452 S * | 9/2015 | Adams | | D16/203 |
| D743,472 S * | 11/2015 | Tanifuji | | D16/203 |
| D745,589 S * | 12/2015 | Lee | | D16/218 |
| D754,230 S * | 4/2016 | Mori | | D16/200 |
| D760,312 S * | 6/2016 | Lee | | D16/218 |
| D773,547 S * | 12/2016 | Lee | | D16/218 |
| D785,068 S * | 4/2017 | Patsis | | D16/200 |
| D788,835 S * | 6/2017 | Wu | | D16/218 |
| D789,999 S * | 6/2017 | Yakabe | | D16/200 |
| 2010/0085474 A1 * | 4/2010 | Morita | | H04N 5/2251 348/374 |
| 2014/0160349 A1 * | 6/2014 | Huang | | H04N 5/2252 348/375 |

(73) Assignee: **Facebook, Inc.**, Menlo Park, CA (US)

* cited by examiner

(**) Term: **15 Years**

Primary Examiner — Philip S Hyder

Assistant Examiner — Ramzi Almatrahi

(21) Appl. No.: **29/589,313**

(74) *Attorney, Agent, or Firm* — Fenwick & West LLP

(22) Filed: **Dec. 29, 2016**

(57) **CLAIM**

(51) **LOC (11) Cl.** **16-01**

The ornamental design for a camera, as shown and described.

(52) **U.S. Cl.**

DESCRIPTION

USPC **D16/218**

(58) **Field of Classification Search**

USPC D16/200, 202–206, 208, 218, 219;
348/143, 148, 151, 373–376; 396/419,
396/427, 535, 539–541

CPC G03B 17/02; G03B 19/04; G03B 17/56;
G03B 17/04; G03B 15/03; H04N 5/2251;
H04N 5/2252; H04N 5/2253; H04N
5/2254; H04N 7/181; H04N 7/183; H04N
7/18; G08B 13/1963; G08B 13/19619;
G08B 13/19632

FIG. 1 is a perspective view of a camera, showing our new design;

FIG. 2 is a front view thereof;

FIG. 3 is a rear view thereof;

FIG. 4 is a left side view thereof;

FIG. 5 is a right side view thereof;

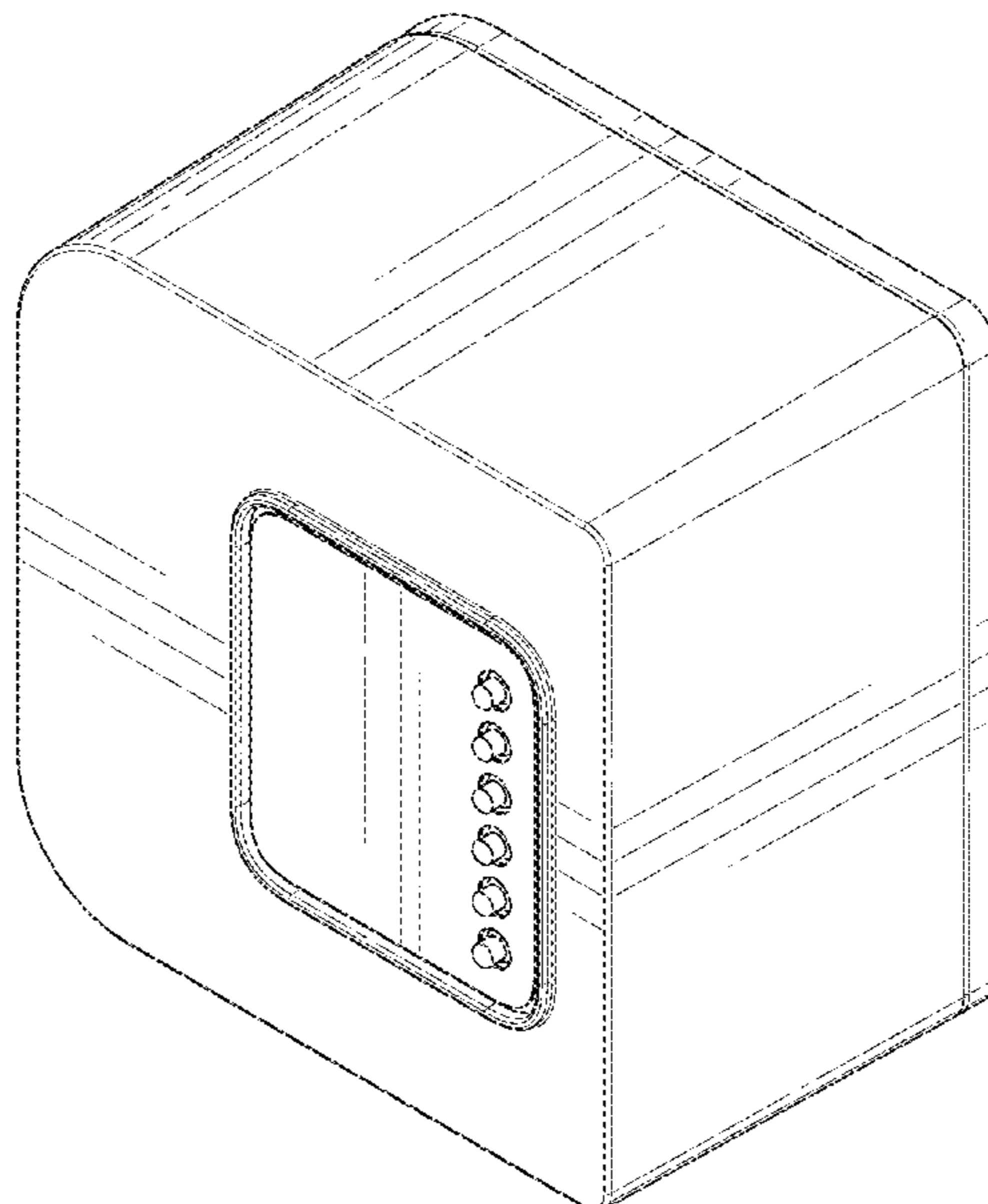
FIG. 6 is a top view thereof; and,

FIG. 7 is a bottom view thereof.

The broken lines depict portions of the camera in which the design is embodied that form no part of the claimed design.

See application file for complete search history.

1 Claim, 7 Drawing Sheets



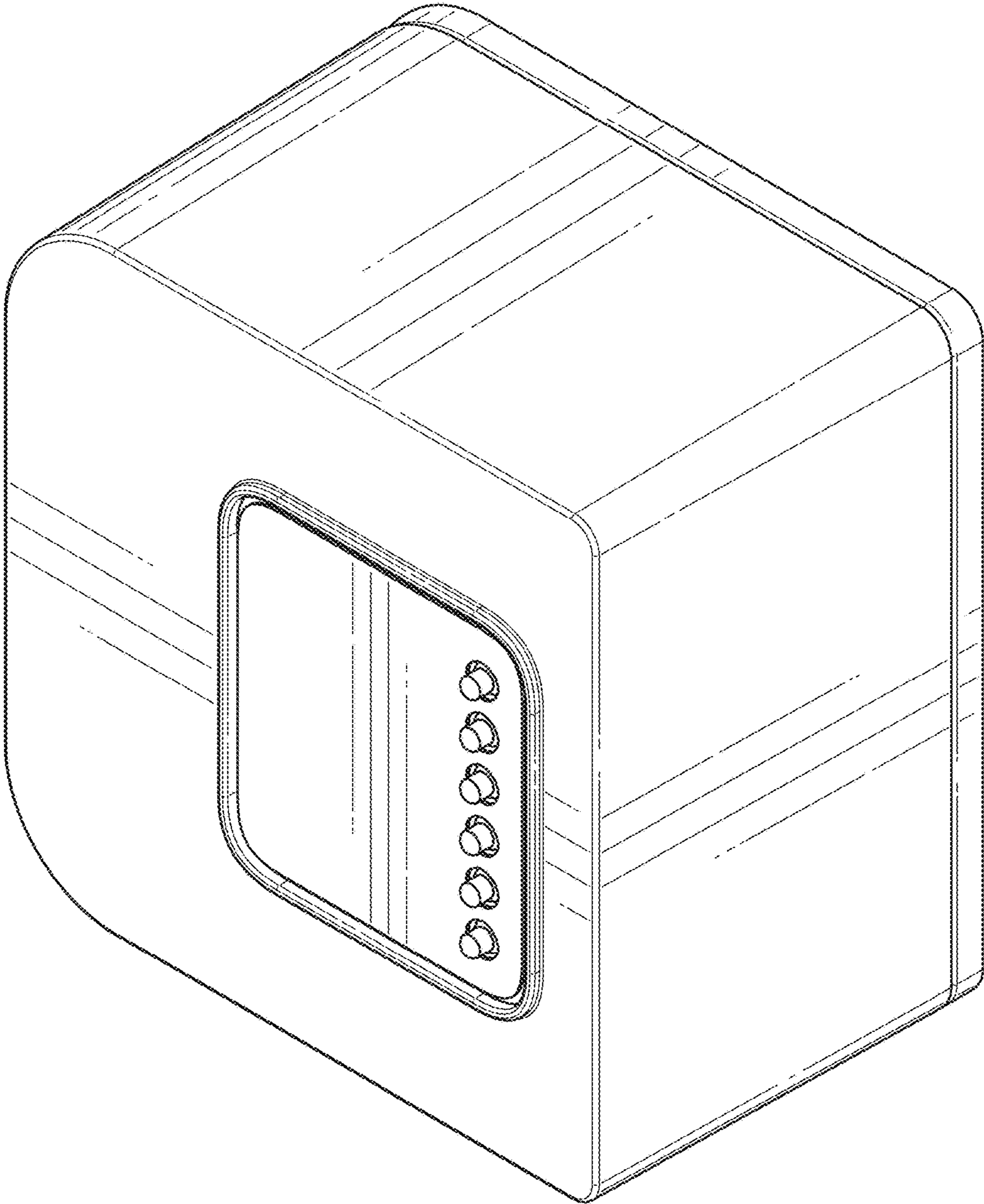


FIG. 1

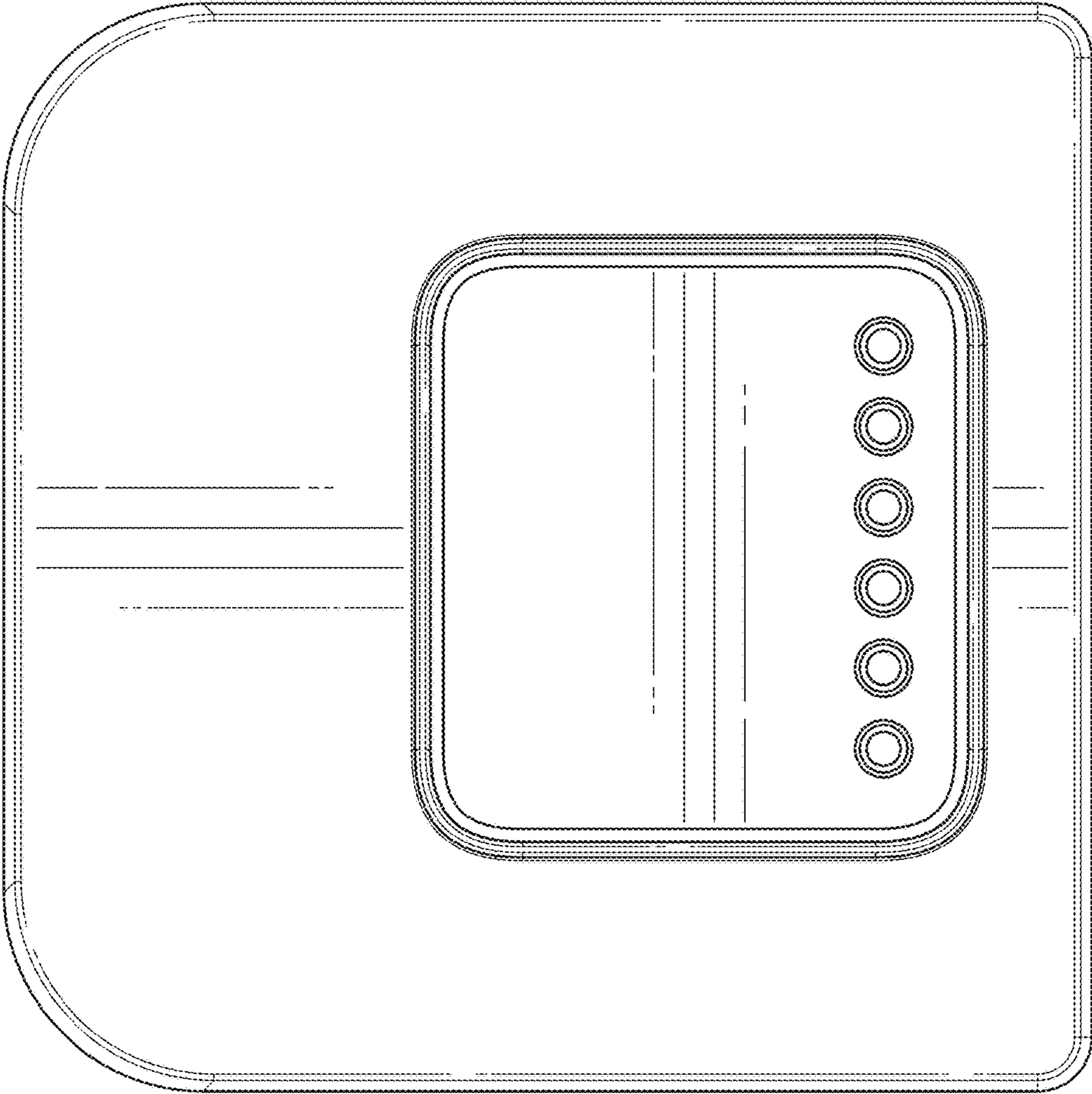


FIG. 2

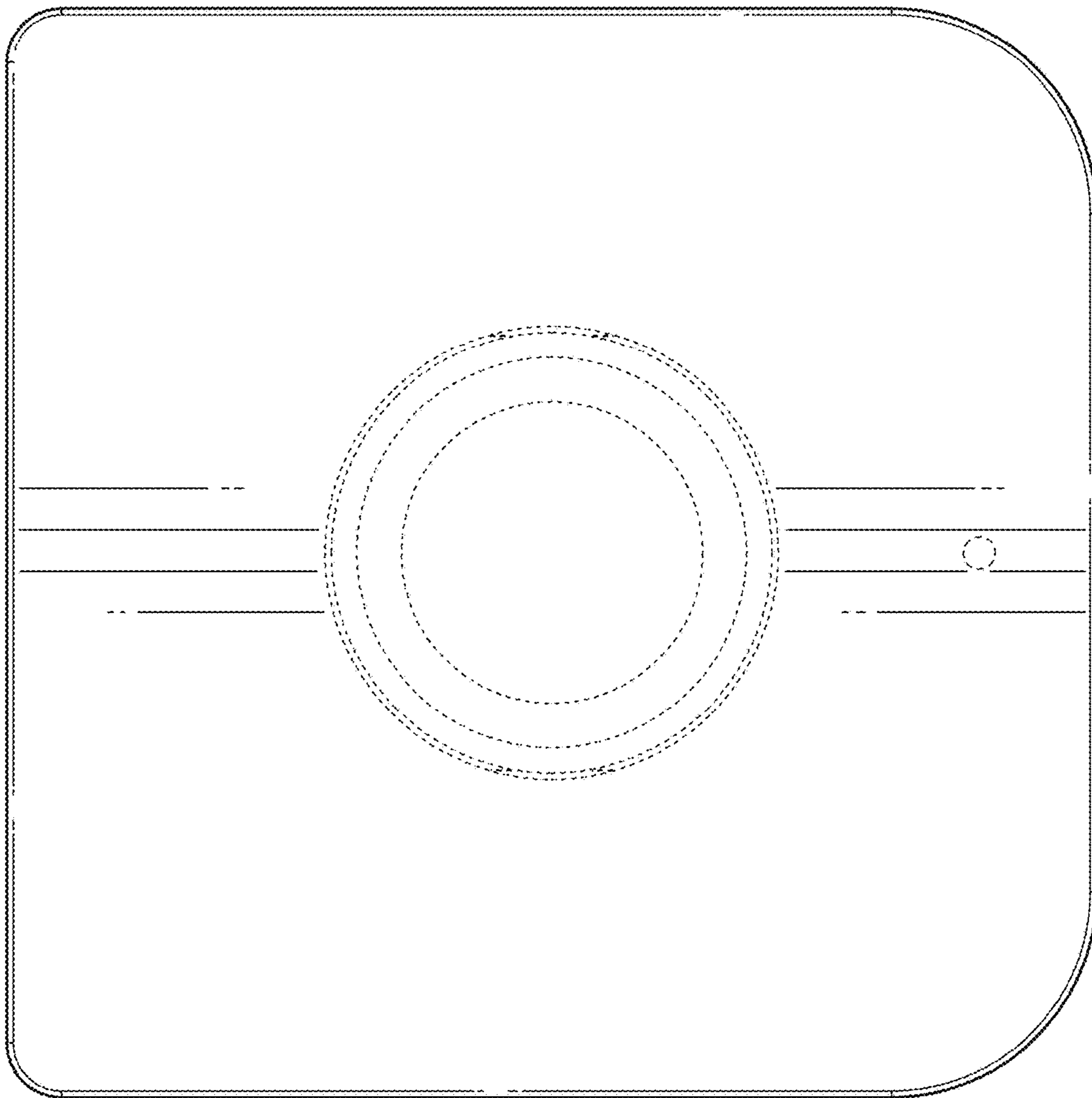


FIG. 3

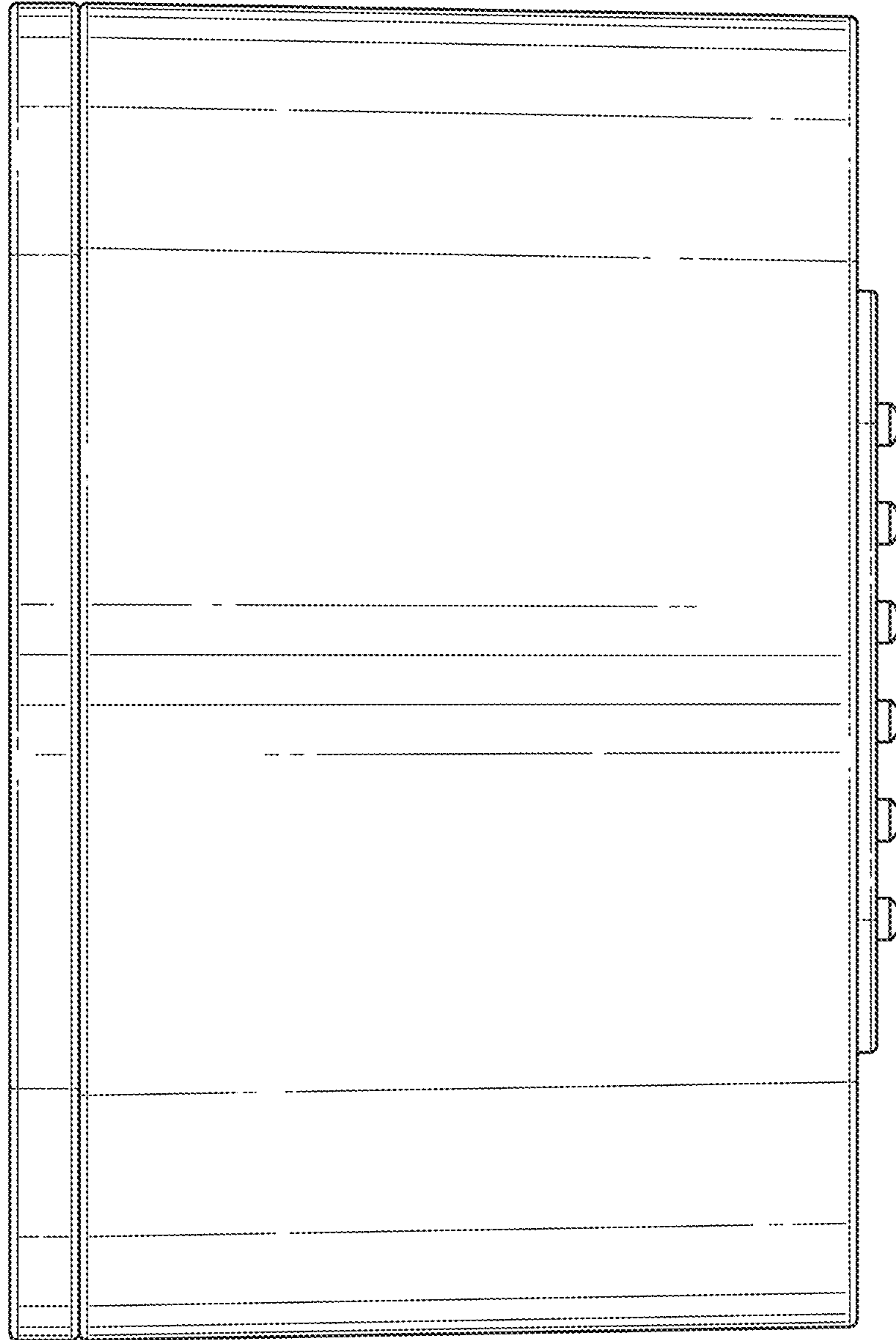


FIG. 4

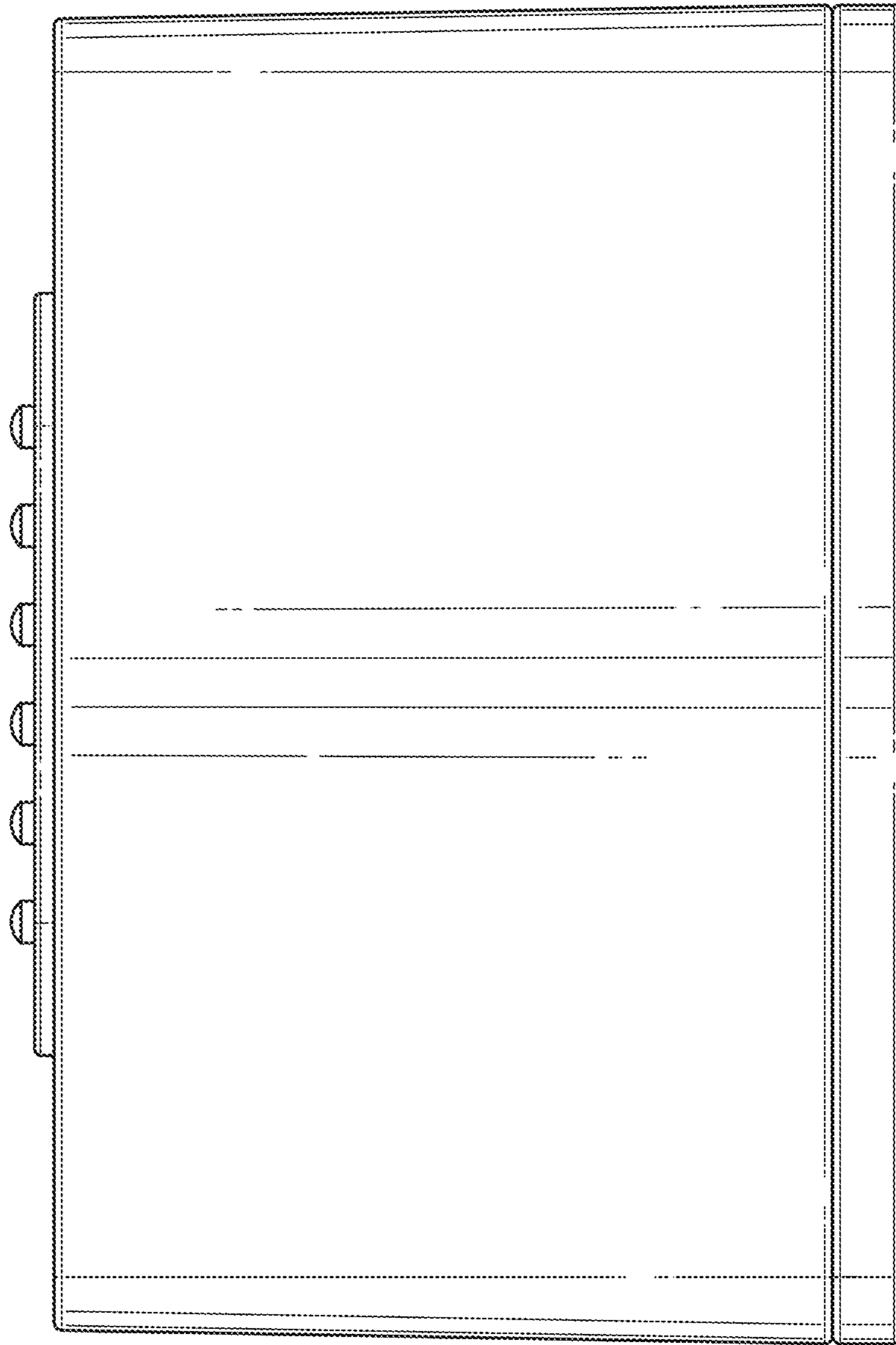


FIG. 5

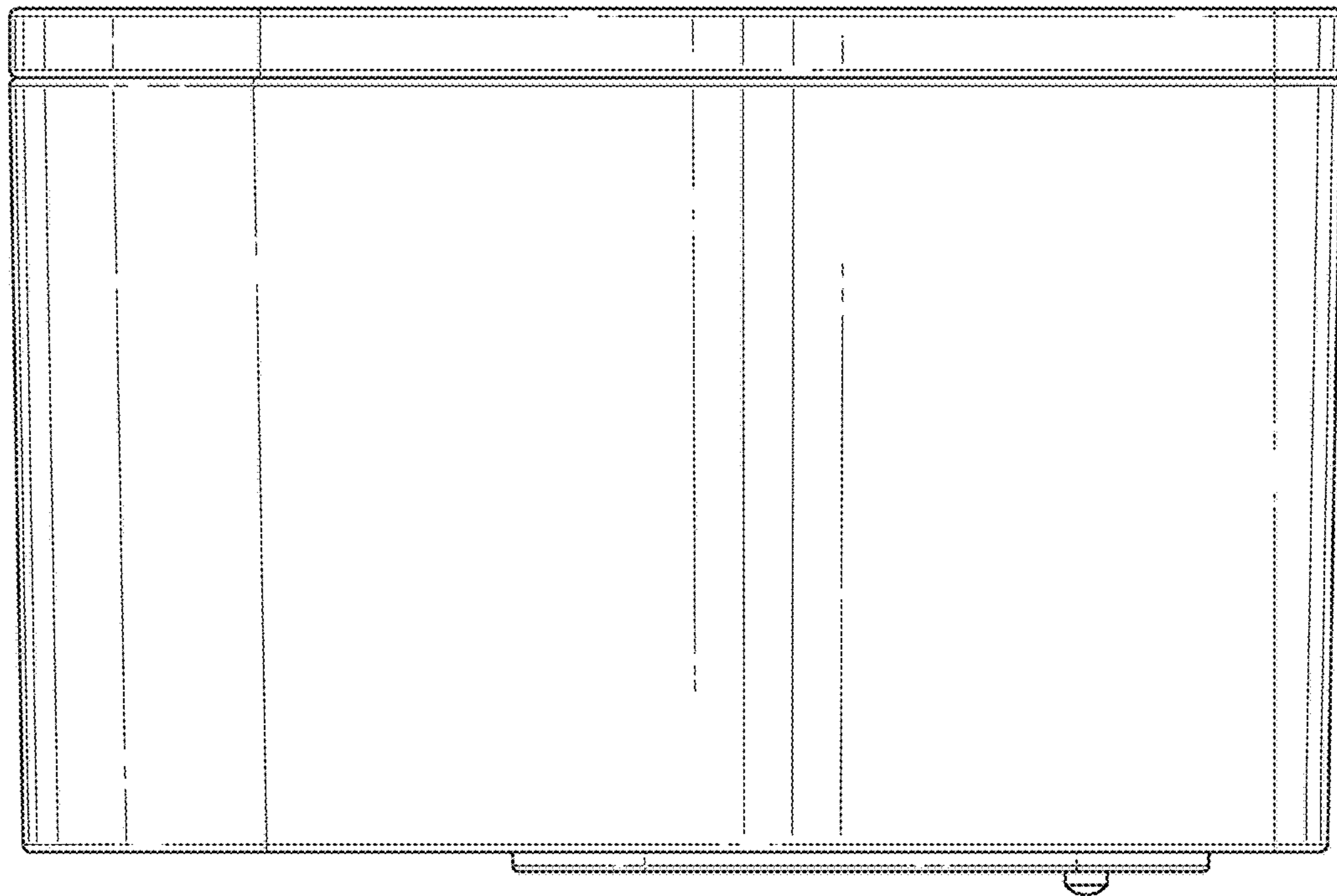


FIG. 6

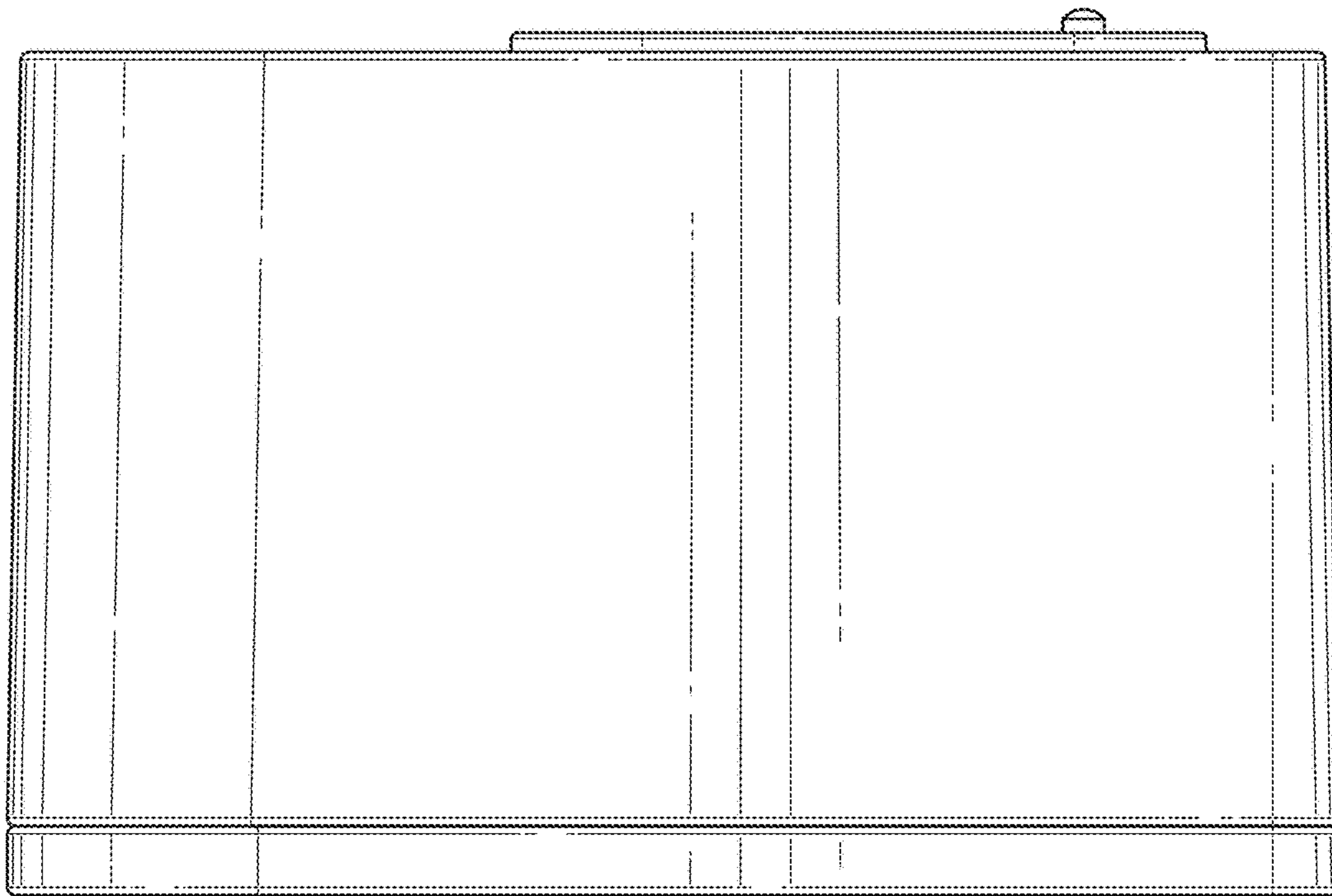


FIG. 7