



US00D819716S

(12) **United States Design Patent**
Kim et al.

(10) **Patent No.:** **US D819,716 S**
(45) **Date of Patent:** **** Jun. 5, 2018**

- (54) **CAMERA**
- (71) Applicant: **Samsung Electronics Co., Ltd.**,
Suwon-si (KR)
- (72) Inventors: **Minchul Kim**, Seoul (KR); **Yongkuk Kim**,
Suwon-si (KR); **Yongjin Kim**, Seoul (KR); **Jinhyoung An**,
Hwaseong-si (KR); **Jaecil Jung**, Seongnam-si (KR); **Sungrae Cho**,
Seoul (KR)
- (73) Assignee: **SAMSUNG ELECTRONICS CO., LTD.**,
Suwon-si (KR)
- (**) Term: **15 Years**
- (21) Appl. No.: **29/579,412**
- (22) Filed: **Sep. 29, 2016**
- (30) **Foreign Application Priority Data**
Mar. 31, 2016 (KR) 30-2016-0015076
- (51) **LOC (11) Cl.** **16-01**
- (52) **U.S. Cl.**
USPC **D16/208; D14/372**
- (58) **Field of Classification Search**
USPC D14/129, 203.5, 203.6, 372, 496;
D16/200–204, 208, 218, 219, 300, 309;
181/129, 130, 198; 348/148, 151,
348/373–376; 351/158; 455/569.1,
455/575.1, 575.2
CPC G10K 11/02; G10K 11/004; H04R 1/1008;
H04N 5/2251; H04N 5/2252; H04N
5/2253; H04N 5/2254; H04M 1/0214;
H04M 1/23; H04M 1/6066
See application file for complete search history.

- D680,147 S * 4/2013 Konishi D16/208
- D711,373 S * 8/2014 Lee D14/372
- D717,796 S * 11/2014 Olsson D14/372
- D726,649 S * 4/2015 Lee D13/103
- D736,740 S 8/2015 Hwang
- D738,420 S * 9/2015 Lee D14/372

(Continued)

FOREIGN PATENT DOCUMENTS

EM 002773358-0001 9/2015

OTHER PUBLICATIONS

Gat, Orit, "Virtual Spectacle: A Conversation with Wafaa Bilal",
Rhizome.org, Nov. 17, 2011, <http://rhizome.org/editorial/2011/nov/17/body-present-conversation-wafaa-bilal/> (Last accessed Oct. 11,
2016).

(Continued)

Primary Examiner — Philip S Hyder
Assistant Examiner — Ramzi Almatrahi
(74) *Attorney, Agent, or Firm* — McAndrews Held &
Malloy, Ltd.

(57) **CLAIM**

The ornamental design for a camera, as shown and
described.

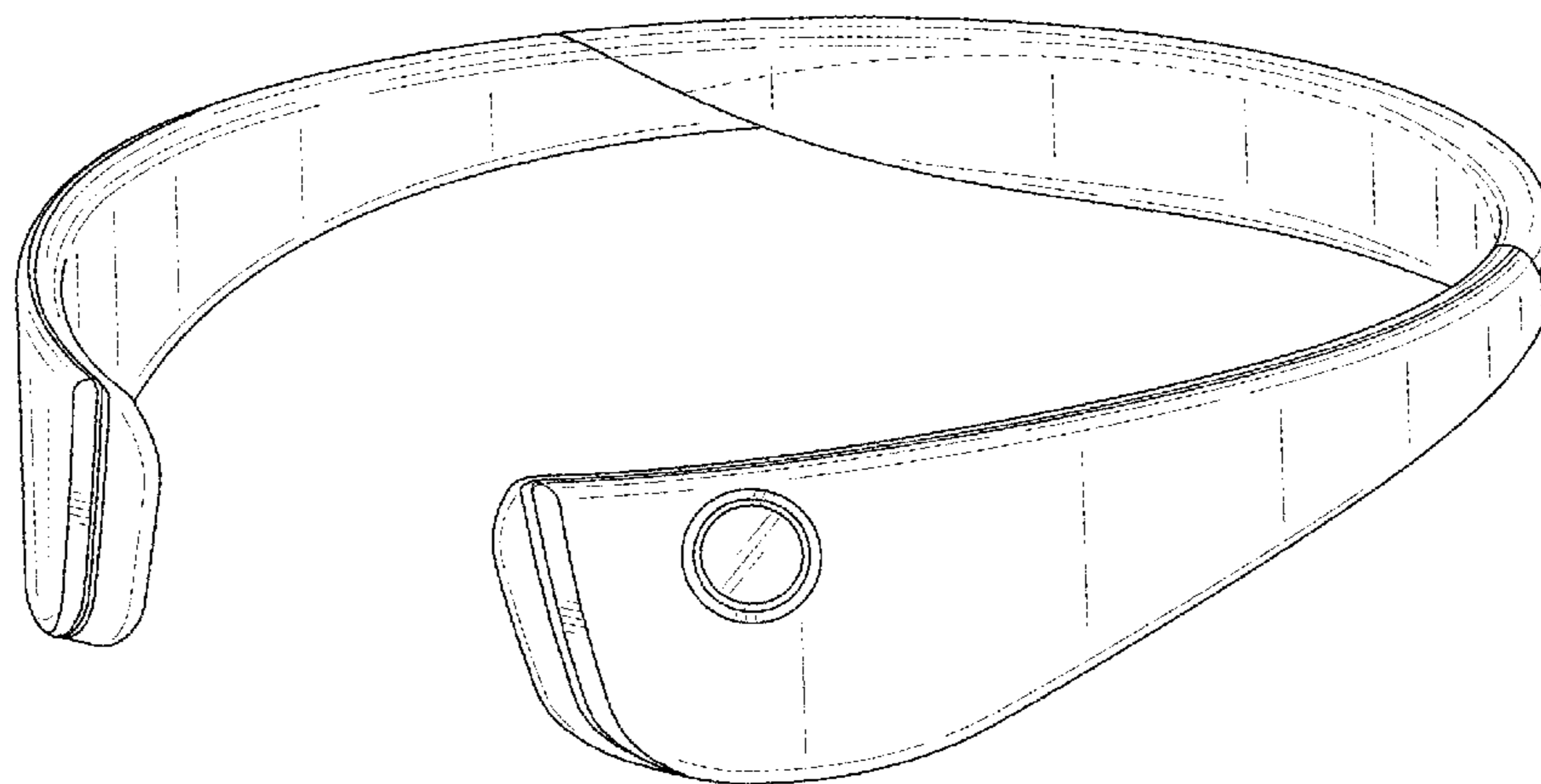
DESCRIPTION

FIG. 1 is a front perspective view of a camera showing our
new design;
FIG. 2 is a front elevation view thereof;
FIG. 3 is a rear elevation view thereof;
FIG. 4 is a left side elevation view thereof;
FIG. 5 is a right side elevation view thereof;
FIG. 6 is a top plan view thereof; and,
FIG. 7 is a bottom plan view thereof.
The broken lines in the drawings illustrate portions of the
camera that form no part of the claimed design.

1 Claim, 5 Drawing Sheets

(56) **References Cited**
U.S. PATENT DOCUMENTS

- D436,960 S * 1/2001 Budd D14/372
- D665,008 S 8/2012 Olsson et al.



(56)

References Cited

U.S. PATENT DOCUMENTS

D770,145 S * 11/2016 Aimone D2/875
D793,357 S * 8/2017 Afshar D14/205
D795,836 S * 8/2017 Liden D14/205
D800,089 S * 10/2017 Park D14/205
D803,186 S * 11/2017 Park D14/205
2010/0045928 A1* 2/2010 Levy H04M 1/05
351/158

OTHER PUBLICATIONS

Aamoth, Doug, "Head-mounted 'Third Eye' camera", Tech Crunch, Feb. 16, 2009, <http://techcrunch.com/2009/02/16/head-mounted-third-eye-camera/> (Last accessed Oct. 11, 2016).

* cited by examiner

FIG. 1

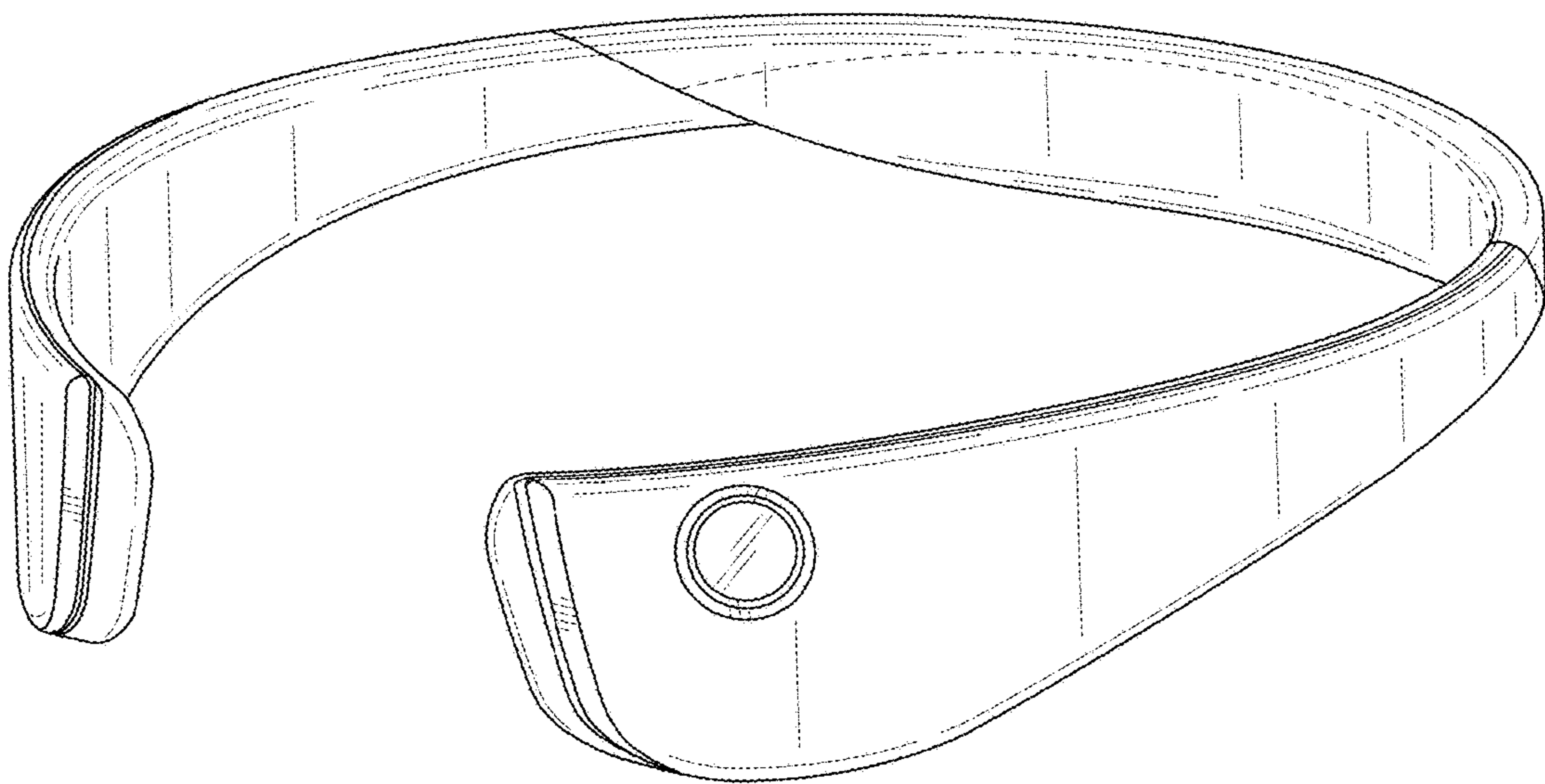


FIG.2

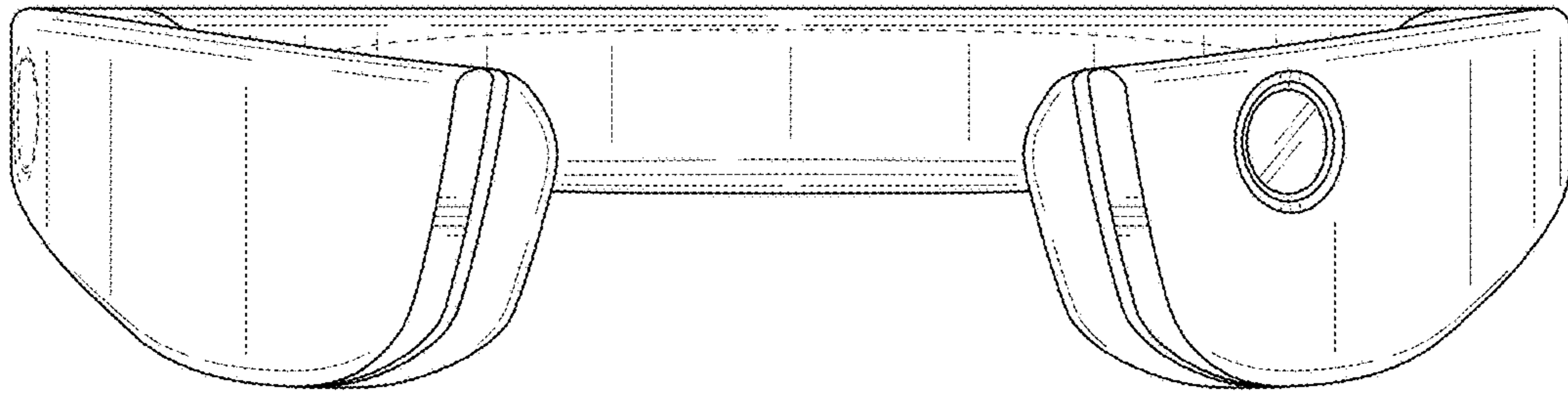


FIG.3

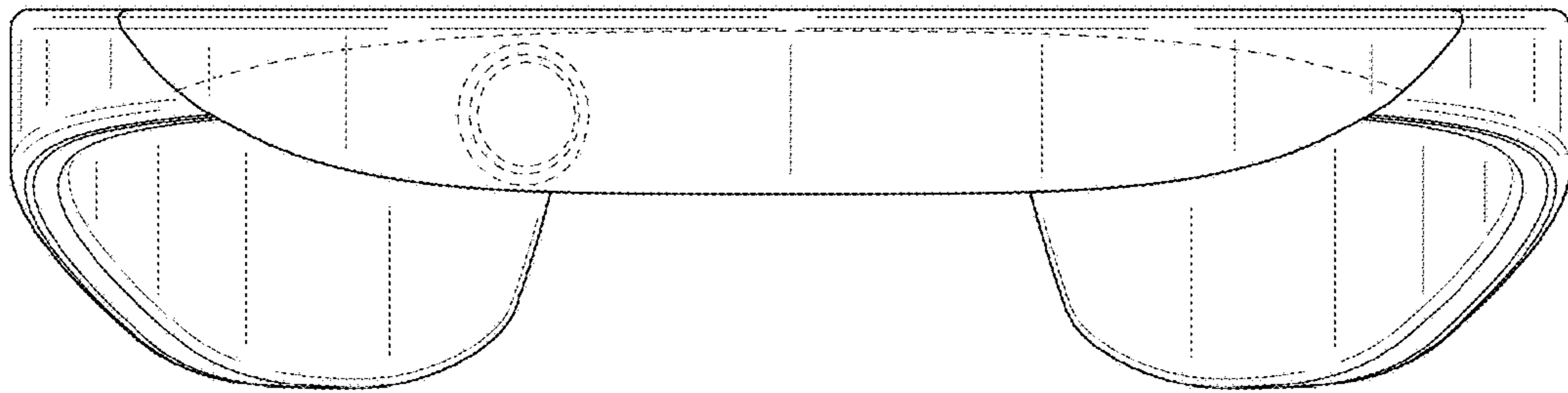


FIG.4

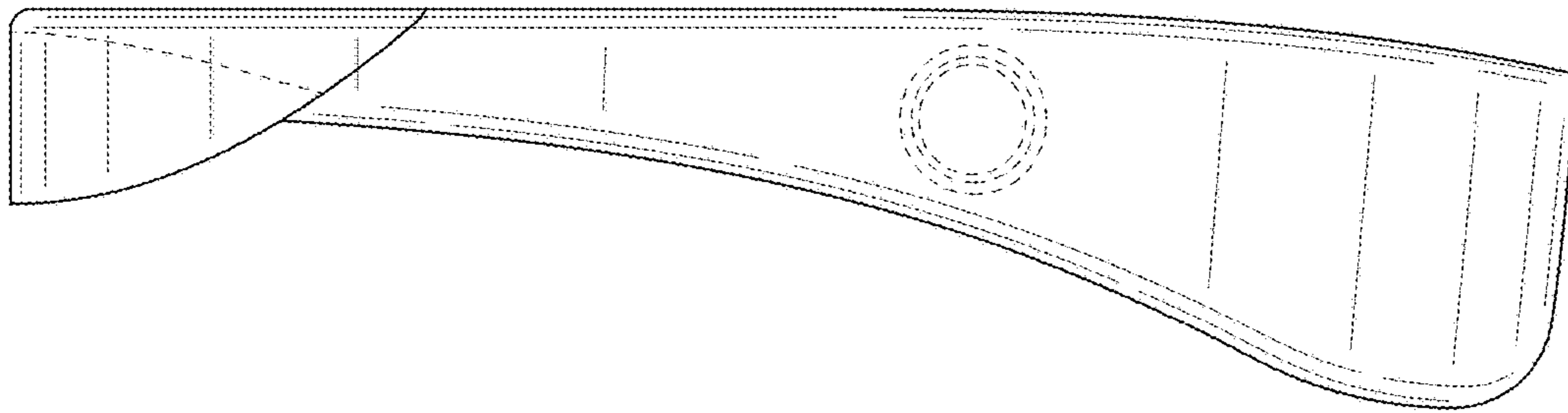


FIG.5

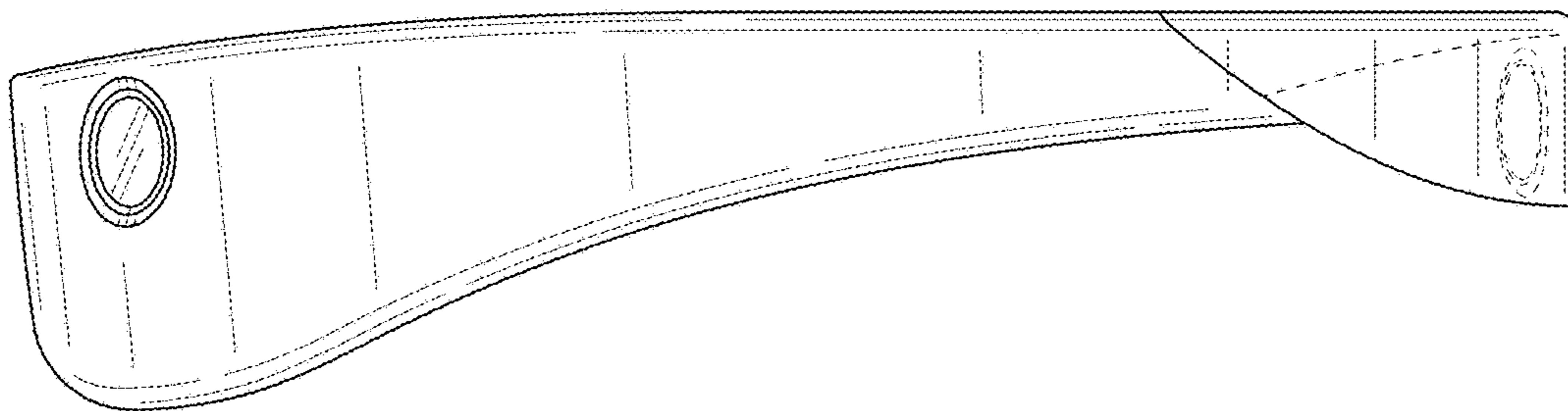


FIG.6

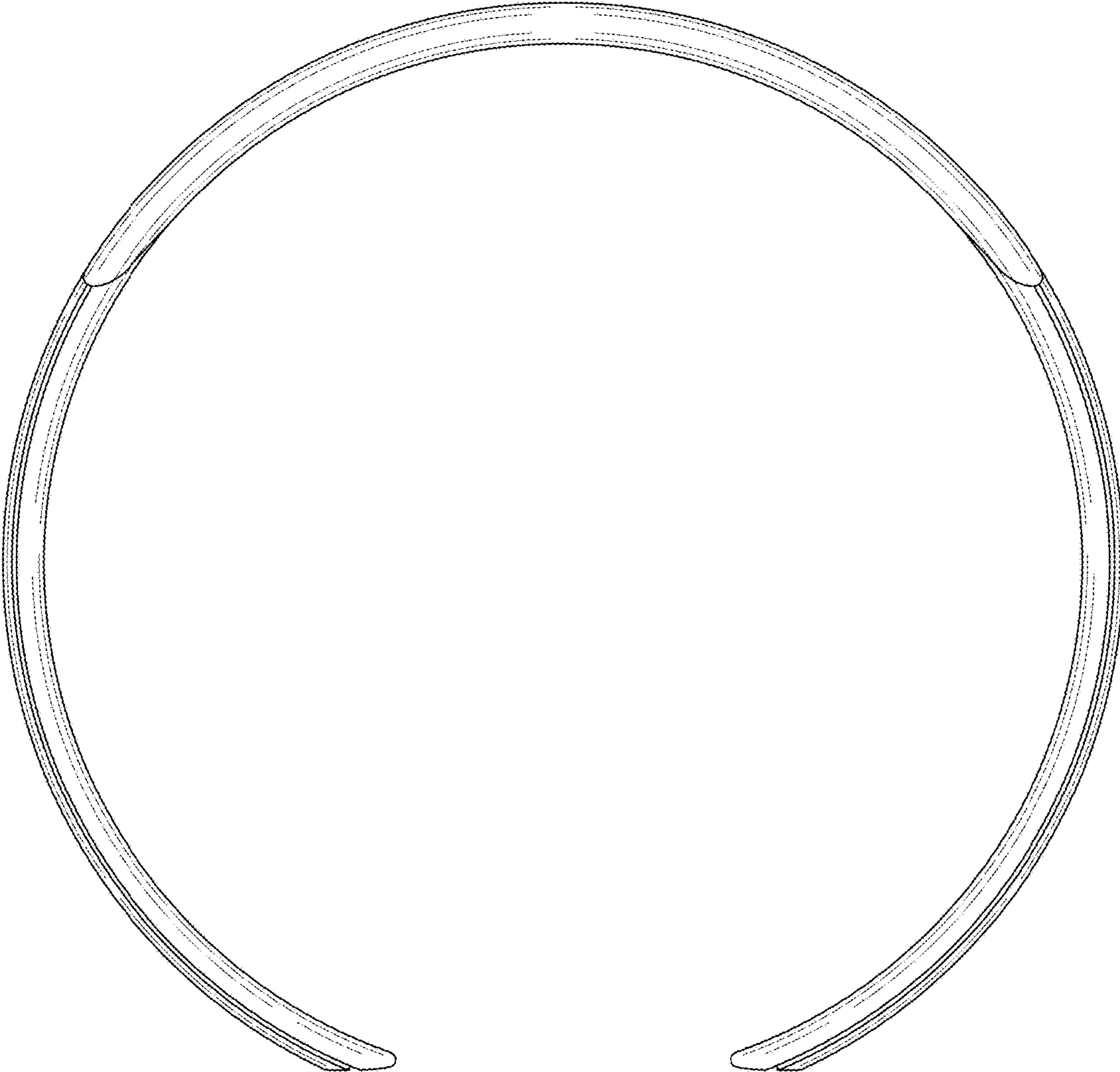


FIG.7

