



US00D819715S

(12) **United States Design Patent**
Laurans et al.

(10) **Patent No.:** **US D819,715 S**
(45) **Date of Patent:** **** Jun. 5, 2018**

(54) **CAMERA UNIT**

(71) Applicant: **SimpliSafe, Inc.**, Boston, MA (US)
(72) Inventors: **Chad Laurans**, Brookline, MA (US);
Melina Engel, Belmont, MA (US);
Yong Zhao, Medford, MA (US); **Jason Robinson**,
Tewksbury, MA (US); **Gregory Wolos**, Cambridge, MA (US);
Dirk Ahlgrim, Boston (MA); **Nelson Dominique Stephane Arthur Schöller**,
Wissant (FR)
(73) Assignee: **SimpliSafe, Inc.**, Boston, MA (US)

(**) Term: **15 Years**

(21) Appl. No.: **29/609,397**

(22) Filed: **Jun. 30, 2017**

(51) **LOC (11) Cl.** **16-01**

(52) **U.S. Cl.**
USPC **D16/203**

(58) **Field of Classification Search**
USPC D16/200, 202–205, 208, 218, 219, 242;
348/14.01–14.06, 143, 148, 373–376;
396/419, 427, 535, 539–541
CPC G03B 17/02; G03B 19/04; G03B 17/56;
G03B 17/04; G03B 15/03; H04N 5/2251;
H04N 5/2252; H04N 5/2253; H04N
5/2254; H04N 2007/145; H04N 7/141;
H04N 7/142; H04N 7/147; H04N 7/148;
H04N 7/15; H04N 7/152
See application file for complete search history.

(56) **References Cited**

U.S. PATENT DOCUMENTS

D396,869 S * 8/1998 Yamakawa D16/202
D575,316 S * 8/2008 Liu D16/202

7,736,071 B2 * 6/2010 Wahl G03B 17/561
348/373
D649,573 S * 11/2011 Al D16/202
D651,633 S * 1/2012 Park D16/203
D697,119 S * 1/2014 Park D16/202
D727,388 S * 4/2015 Huang D16/214
D743,467 S * 11/2015 Bhattacharya D16/203
D747,383 S * 1/2016 Li D16/203
D776,740 S * 1/2017 Okawa D16/203
D795,938 S * 8/2017 Ravat D16/202
D798,360 S * 9/2017 Jeong D16/203
2009/0201413 A1 * 8/2009 Fishman H04N 5/2252
348/373

* cited by examiner

Primary Examiner — Philip S Hyder

Assistant Examiner — Ramzi Almatrahi

(74) *Attorney, Agent, or Firm* — Wolf, Greenfield & Sacks, P.C.

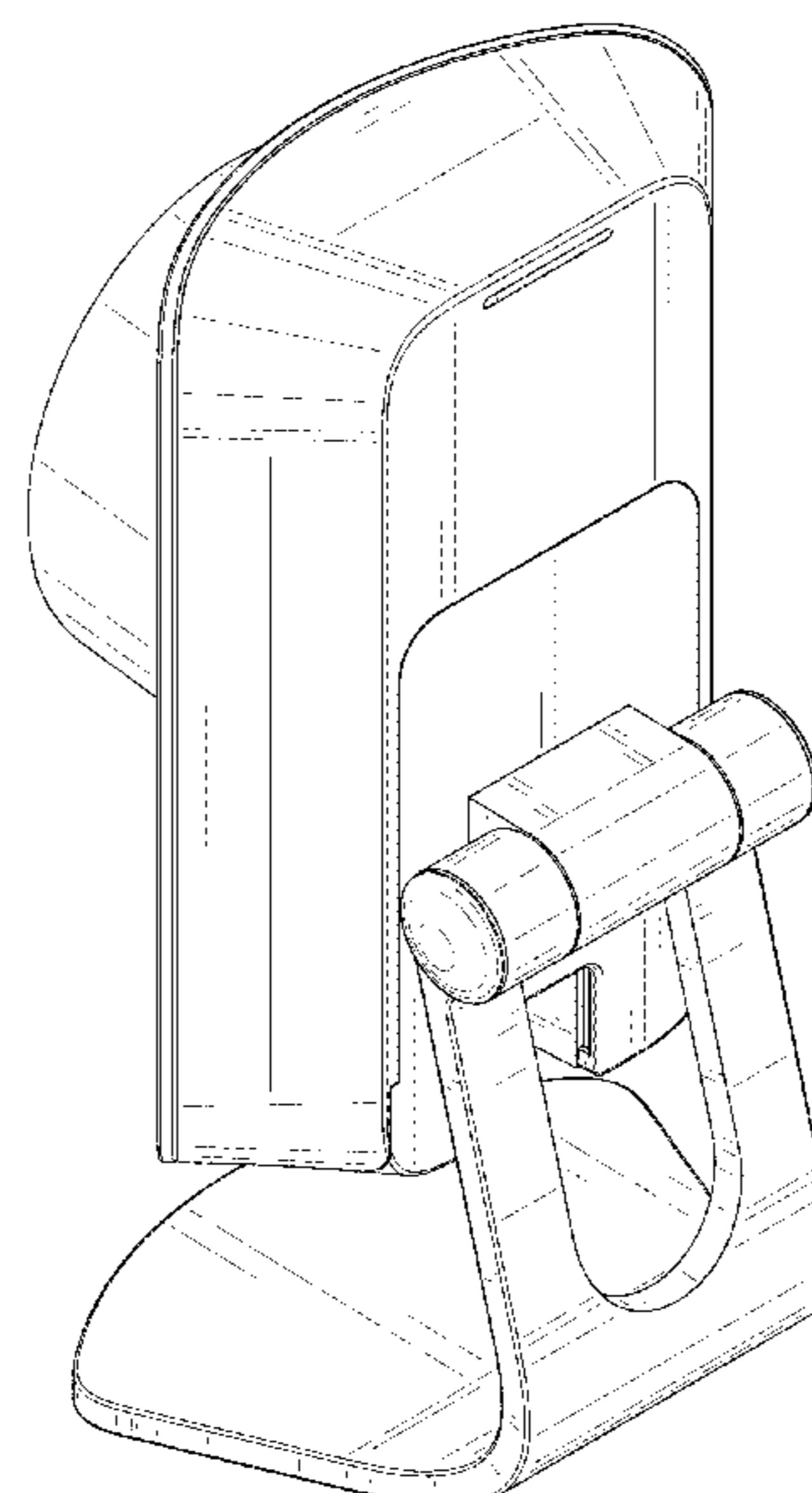
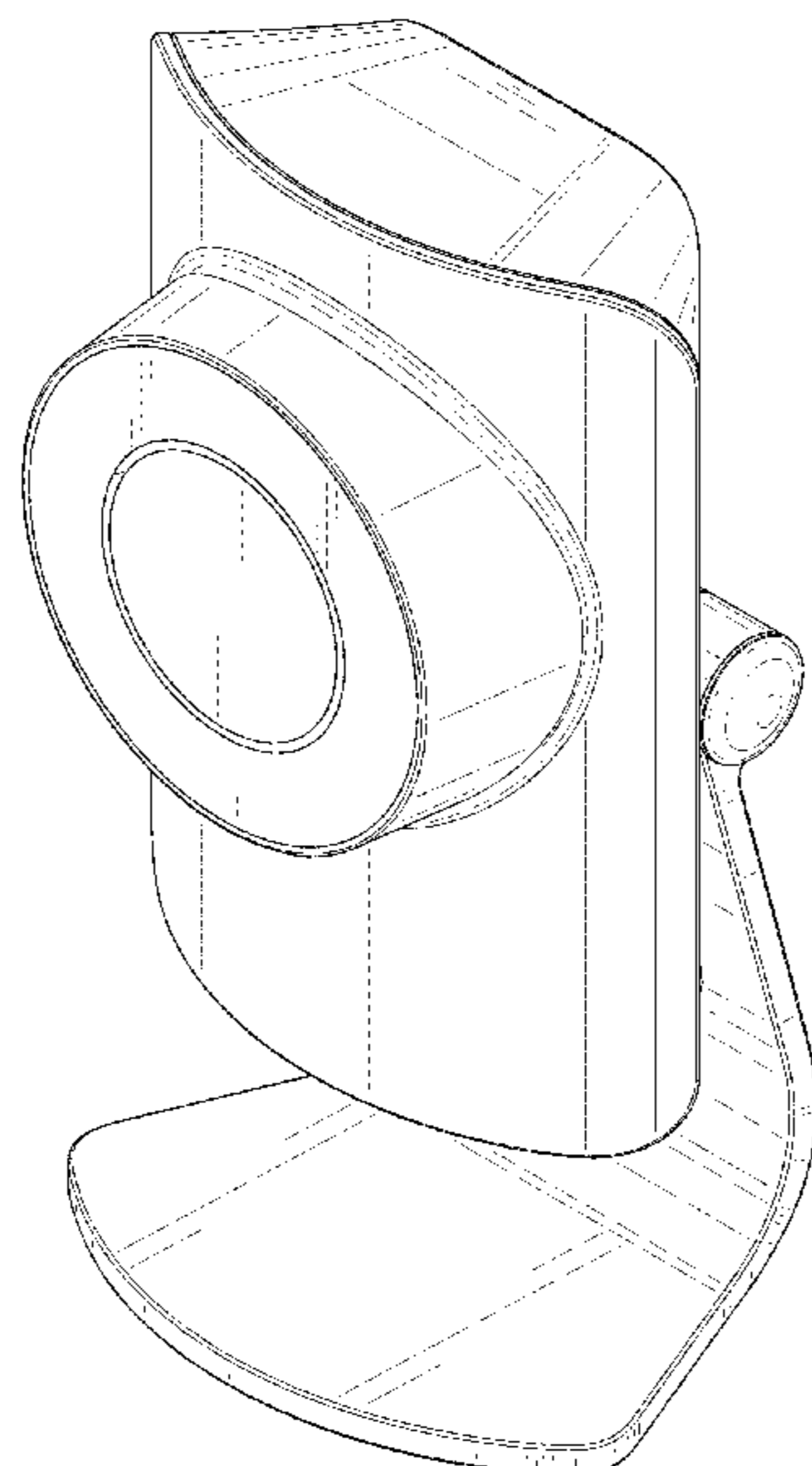
(57) **CLAIM**

The ornamental design for a camera unit, as shown and described.

DESCRIPTION

FIG. 1 is a front and right side perspective view of a camera unit;
FIG. 2 is a rear and right side perspective view thereof;
FIG. 3 is a front view thereof;
FIG. 4 is a rear view thereof;
FIG. 5 is a left side view thereof;
FIG. 6 is a right side view thereof;
FIG. 7 is a top view thereof; and,
FIG. 8 is a bottom view thereof.

1 Claim, 8 Drawing Sheets



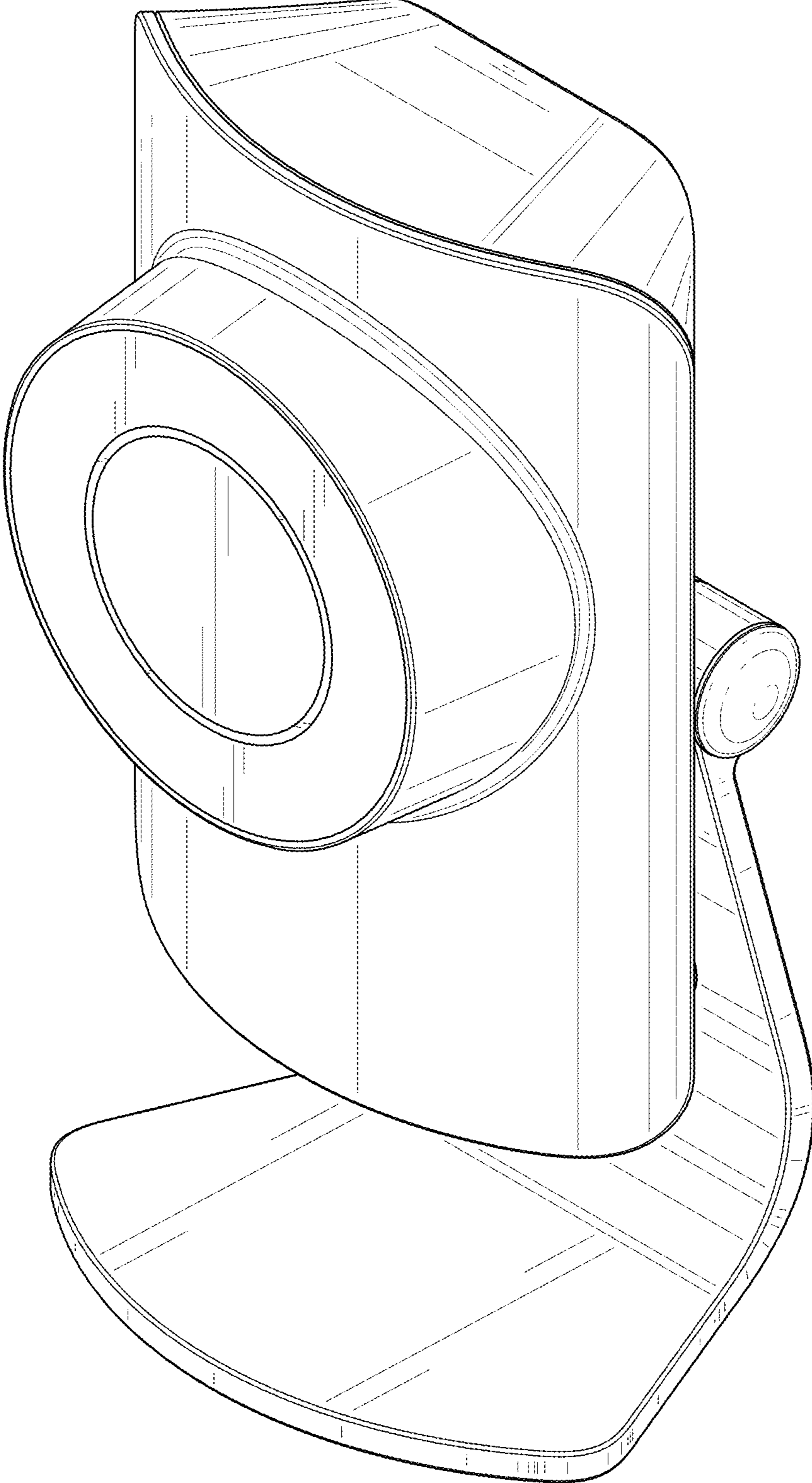


FIG. 1

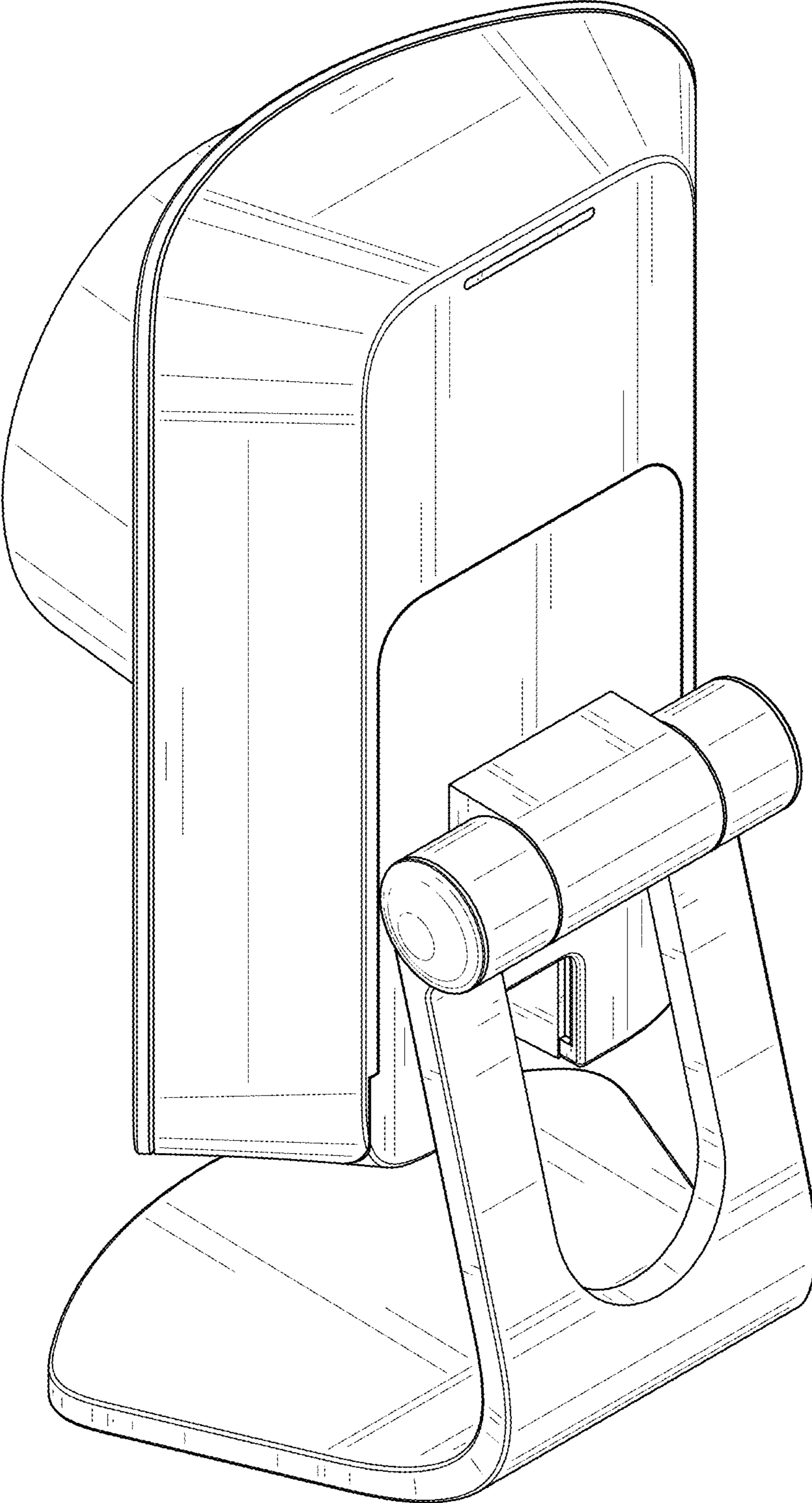


FIG. 2

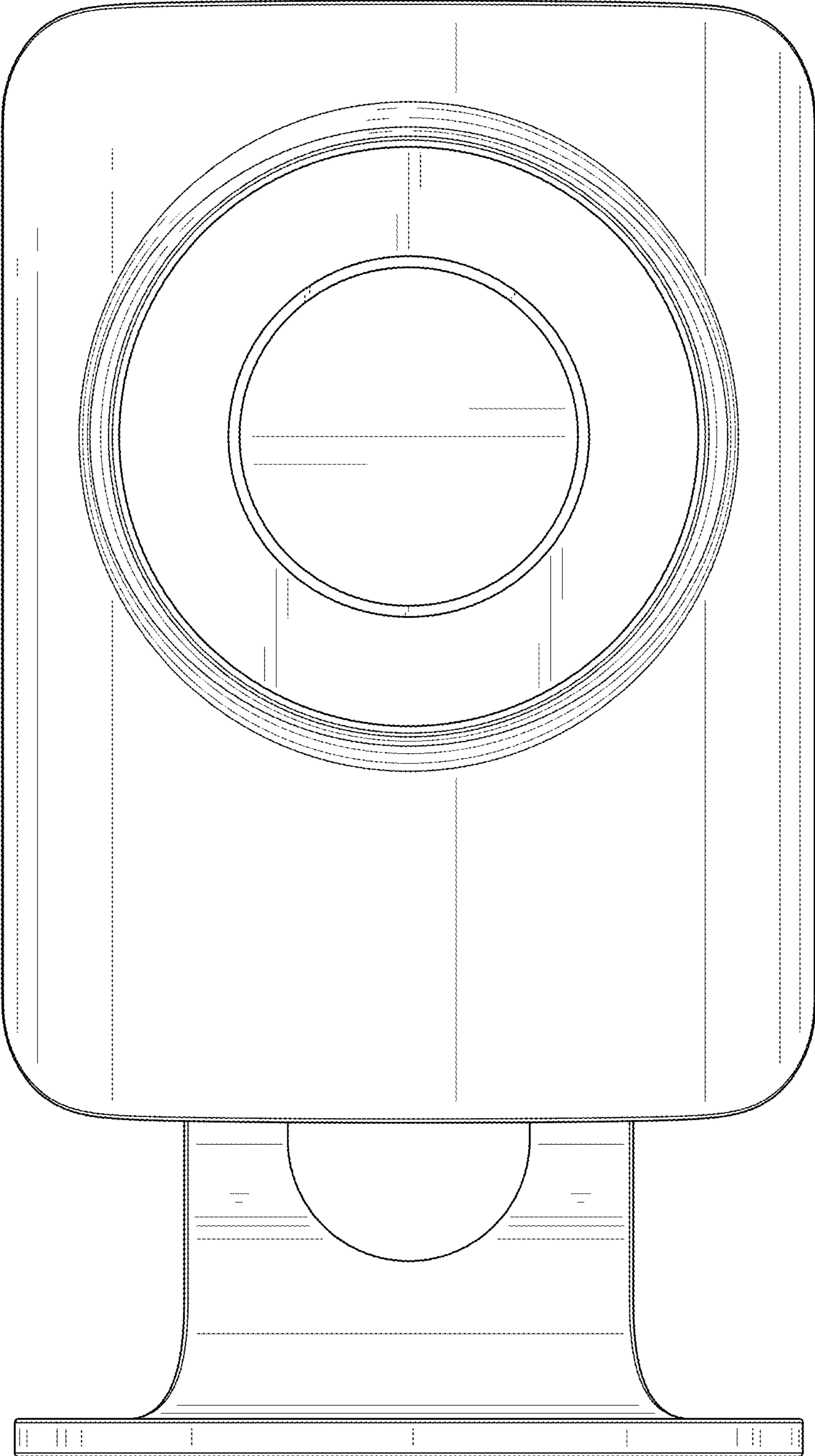


FIG. 3

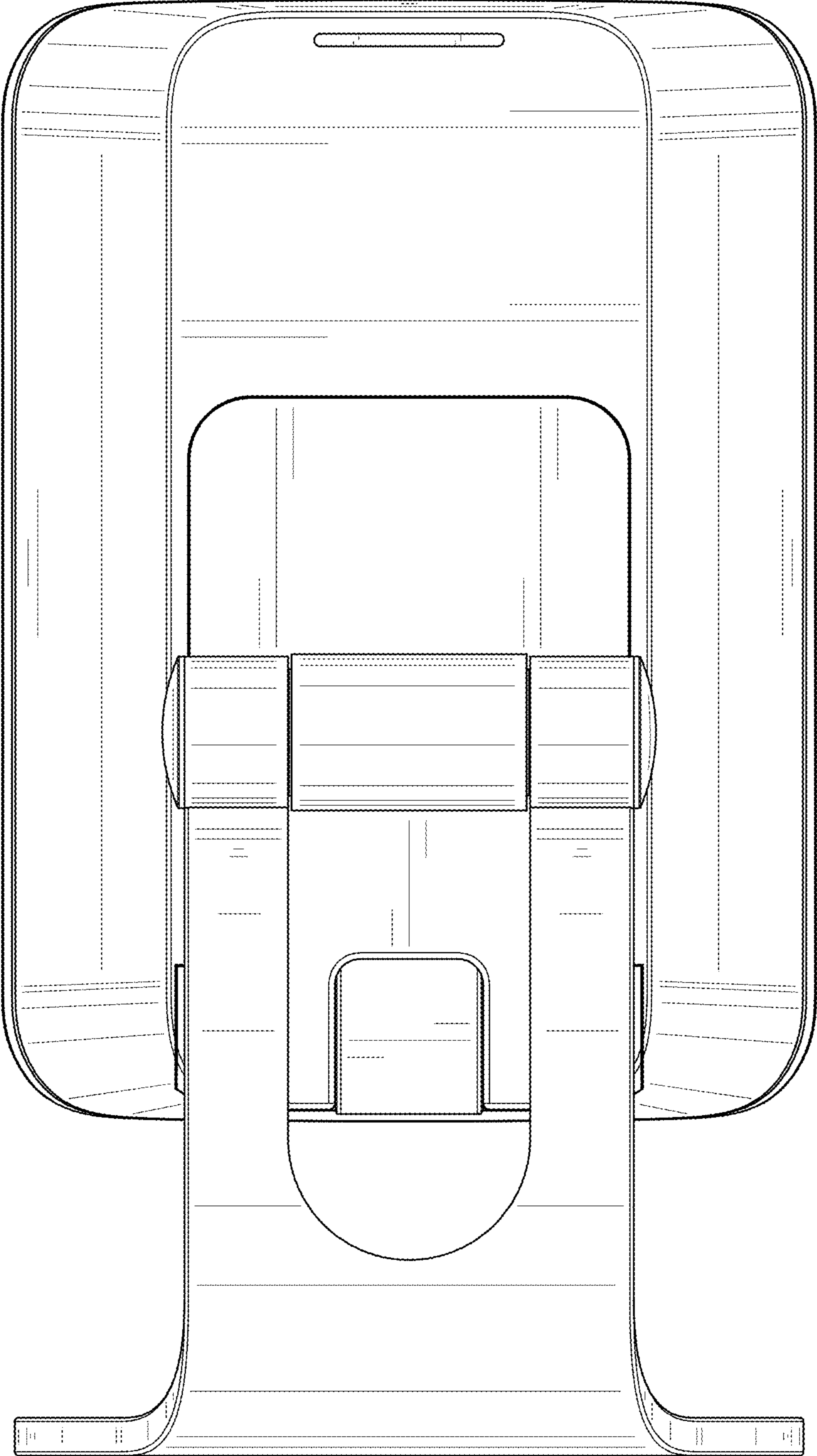


FIG. 4

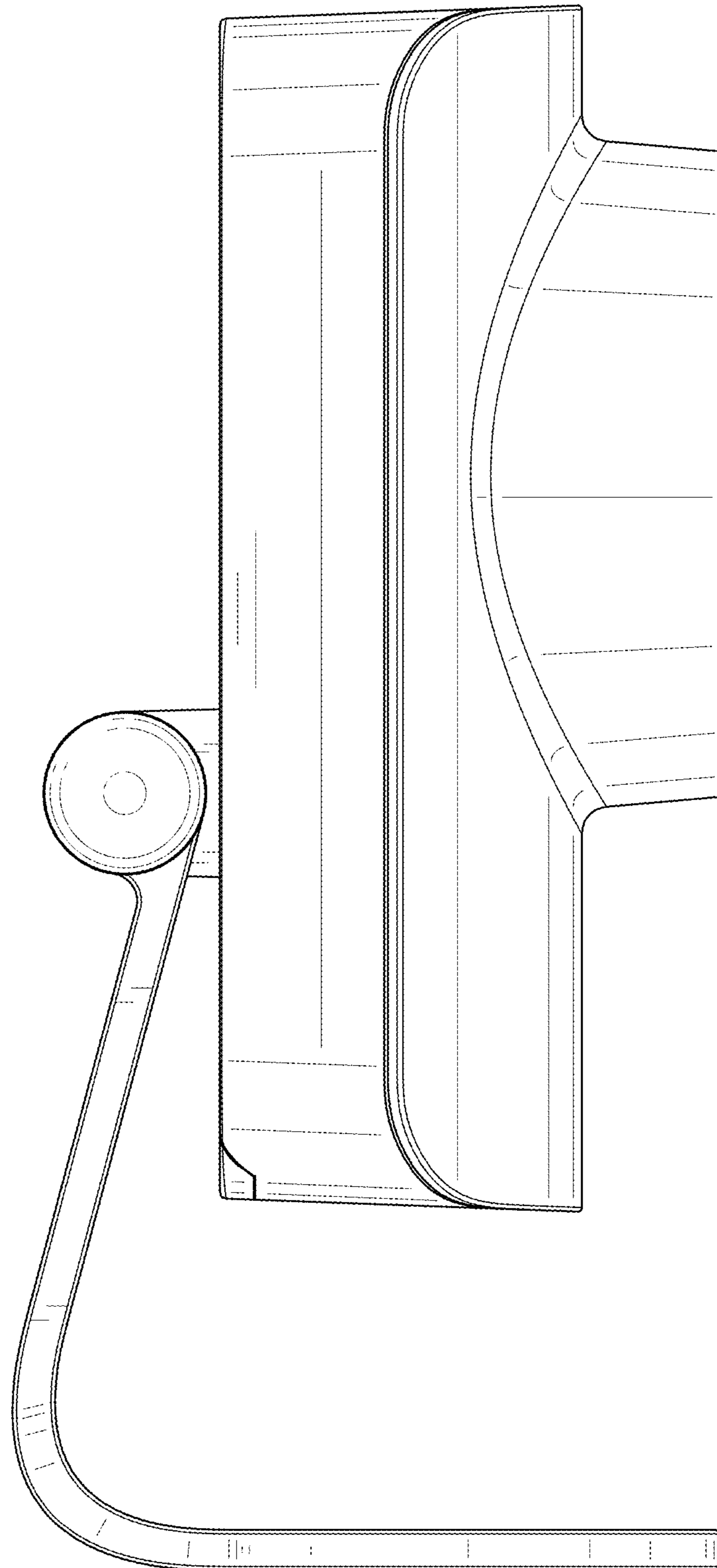


FIG. 5

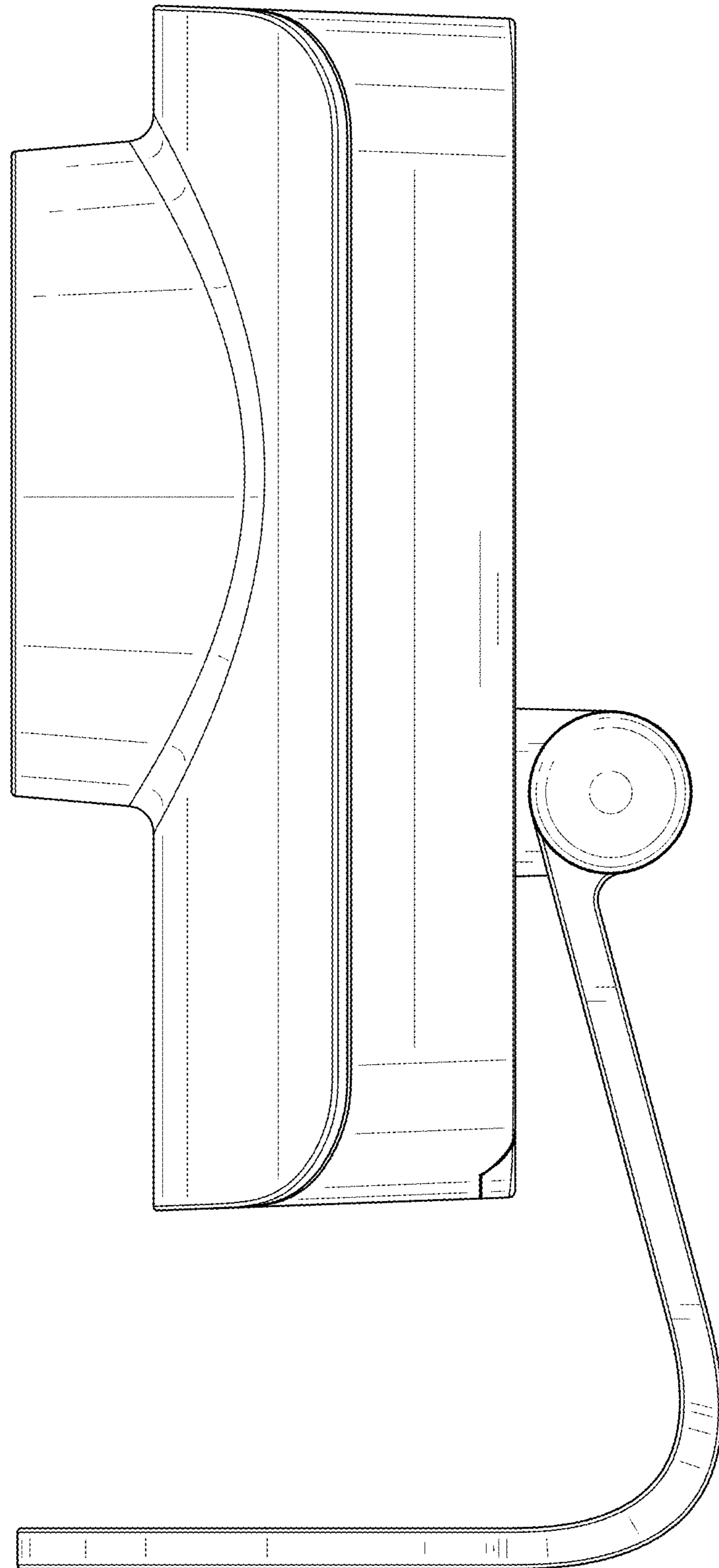


FIG. 6

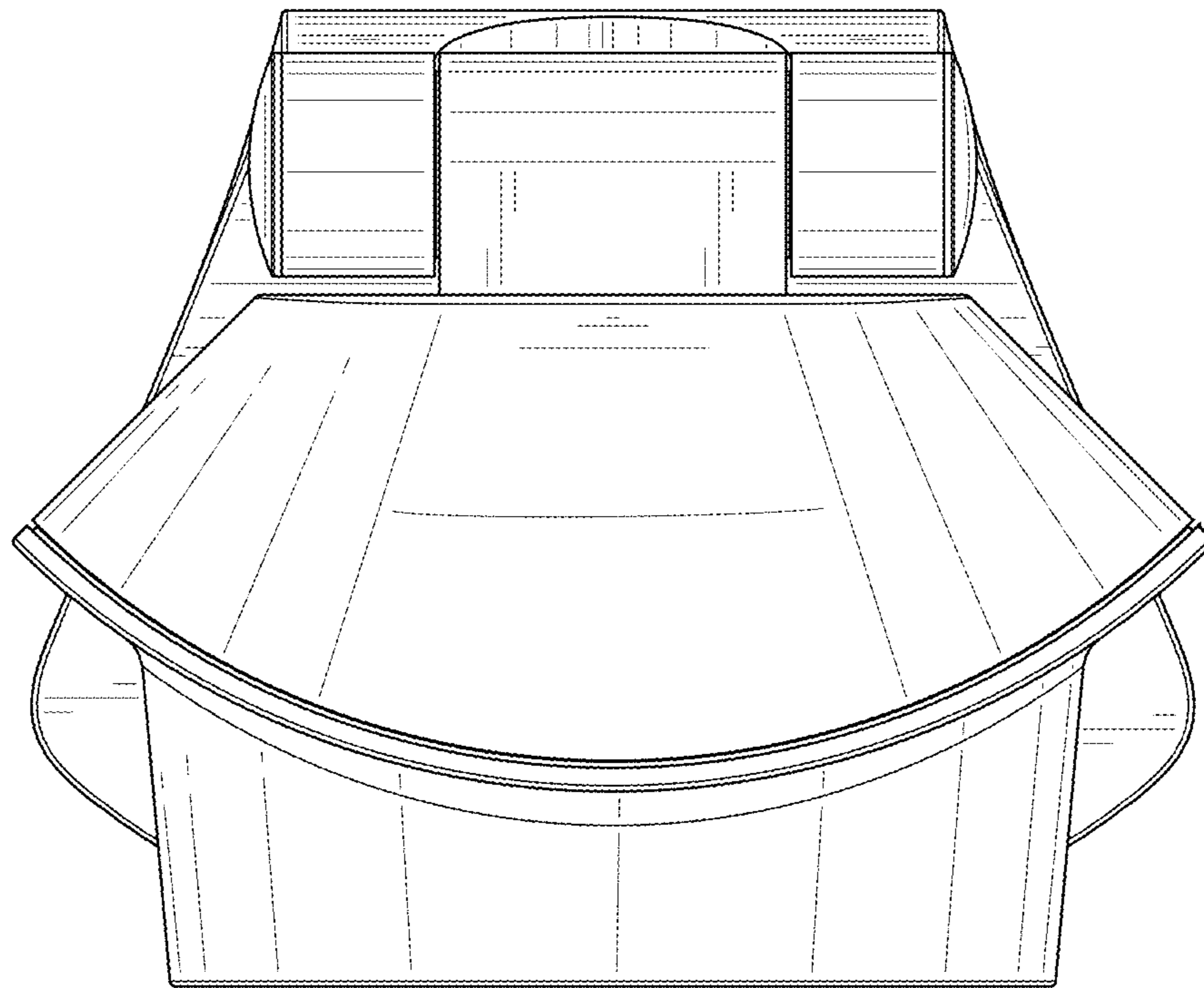


FIG. 7

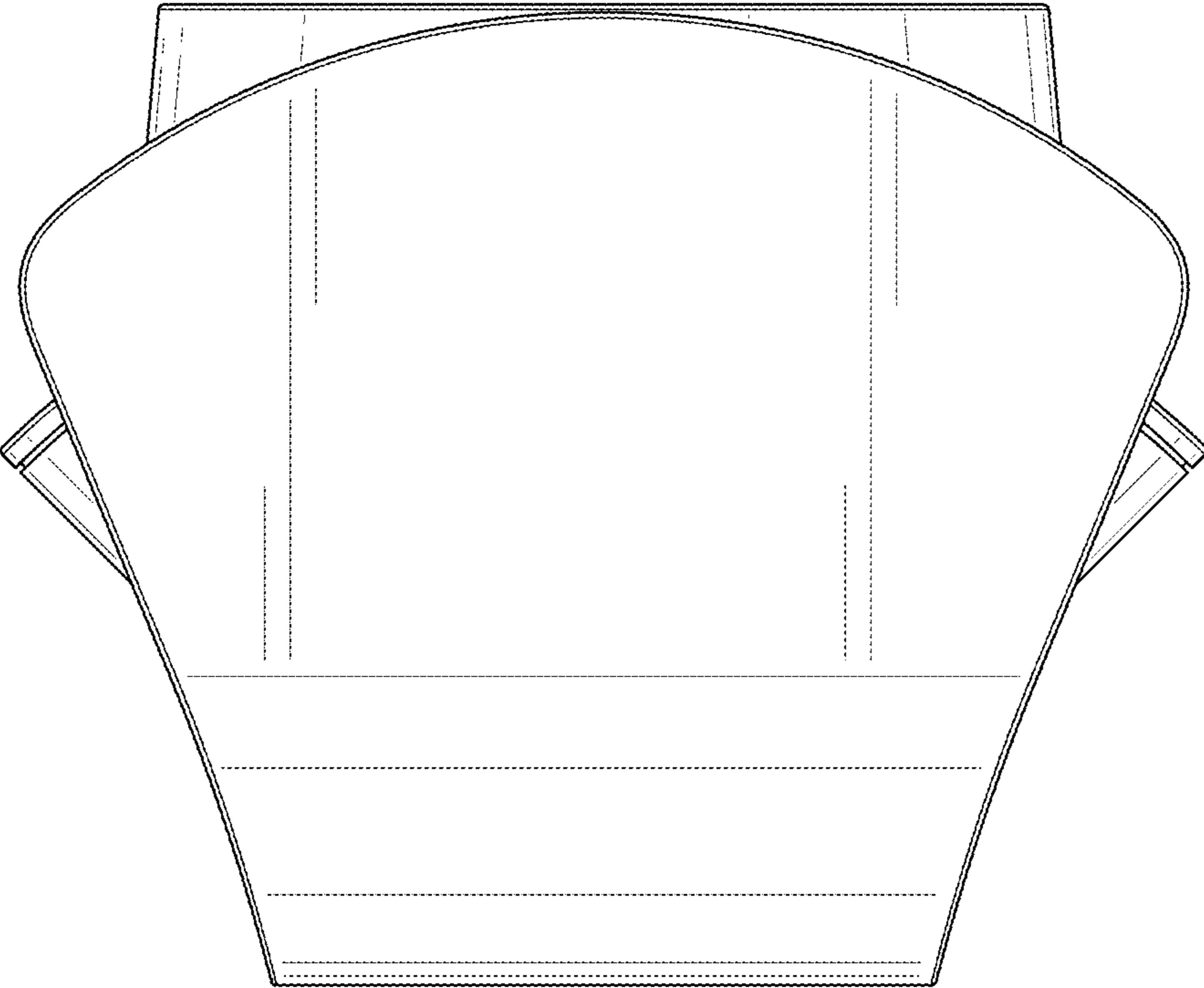


FIG. 8