



US00D819714S

(12) **United States Design Patent**
Luo et al.

(10) **Patent No.:** **US D819,714 S**
(45) **Date of Patent:** **** Jun. 5, 2018**

(54) **CAMERA**

(71) Applicant: **Shenzhen Xinguodu Technology Co., Ltd.**, Shenzhen (CN)

(72) Inventors: **Guoqi Luo**, Shenzhen (CN);
Xianghong Liu, Shenzhen (CN);
Chaoye Wu, Shenzhen (CN)

(73) Assignee: **SHENZHEN XINGUODU TECHNOLOGY CO., LTD.**, Shenzhen (CN)

(**) Term: **15 Years**

(21) Appl. No.: **29/574,902**

(22) Filed: **Aug. 19, 2016**

(30) **Foreign Application Priority Data**

Mar. 11, 2016 (CN) 2016 3 0069300

(51) **LOC (11) Cl.** **16-01**

(52) **U.S. Cl.**
USPC **D16/202**

(58) **Field of Classification Search**
USPC D16/200–220, 232, 235, 239, 242, 243,
D16/244, 245, 250; D14/423, 229, 251;
D18/107
CPC G02B 5/00; G03B 11/04; G03B 17/00;
G03B 17/02; G03B 9/08; H04N 5/2251;
H04N 5/232; H04N 7/00; F16M 13/00
See application file for complete search history.

(56) **References Cited**

U.S. PATENT DOCUMENTS

6,078,440 A * 6/2000 Ueyama H04N 5/2251
348/E5.025
6,422,508 B1 * 7/2002 Barnes F41G 3/14
244/3.15
D542,320 S * 5/2007 Cheng D16/203

D552,144 S * 10/2007 Logan D16/202
D552,649 S * 10/2007 Logan D16/200
D554,682 S * 11/2007 Martinez D16/203
D576,652 S * 9/2008 Willis D16/203
D576,653 S * 9/2008 Malthouse D16/203
D577,856 S * 9/2008 Kim D26/140
D662,120 S * 6/2012 Deurwaarder D16/203
D678,929 S * 3/2013 Hancock D16/202
D690,344 S * 9/2013 Hollinger D16/200
D716,863 S * 11/2014 Zutell D16/203
D719,202 S * 12/2014 Lee D16/202
D741,931 S * 10/2015 Huang D16/202
D742,955 S * 11/2015 Kozko D16/207
D745,910 S * 12/2015 Hollinger D16/203
D762,130 S * 7/2016 Hays D10/106.7
D762,500 S * 8/2016 Hays D10/106.7
D762,501 S * 8/2016 Hays D10/106.7
D767,518 S * 9/2016 Kim D14/130
D790,620 S * 6/2017 Lee D16/202

(Continued)

FOREIGN PATENT DOCUMENTS

CN 303816703 * 8/2016

Primary Examiner — Barbara Fox

Assistant Examiner — Mary C Ramirez

(74) *Attorney, Agent, or Firm* — Erickson Kernell IP, LLC

(57) **CLAIM**

The ornamental design for a camera, as shown and described.

DESCRIPTION

FIG. 1 is a perspective view of a camera showing the new design;

FIG. 2 is a front view thereof;

FIG. 3 is a rear view thereof;

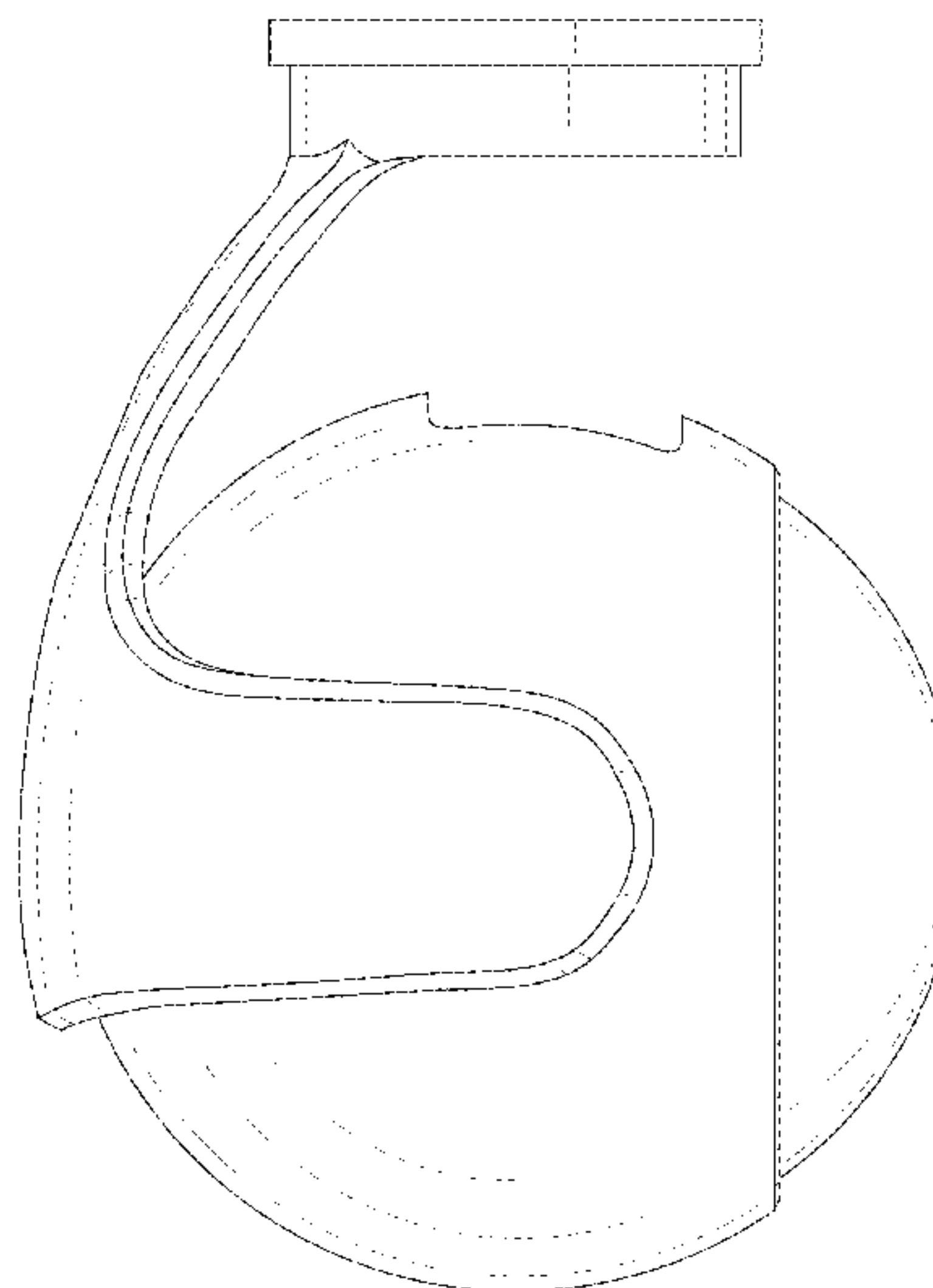
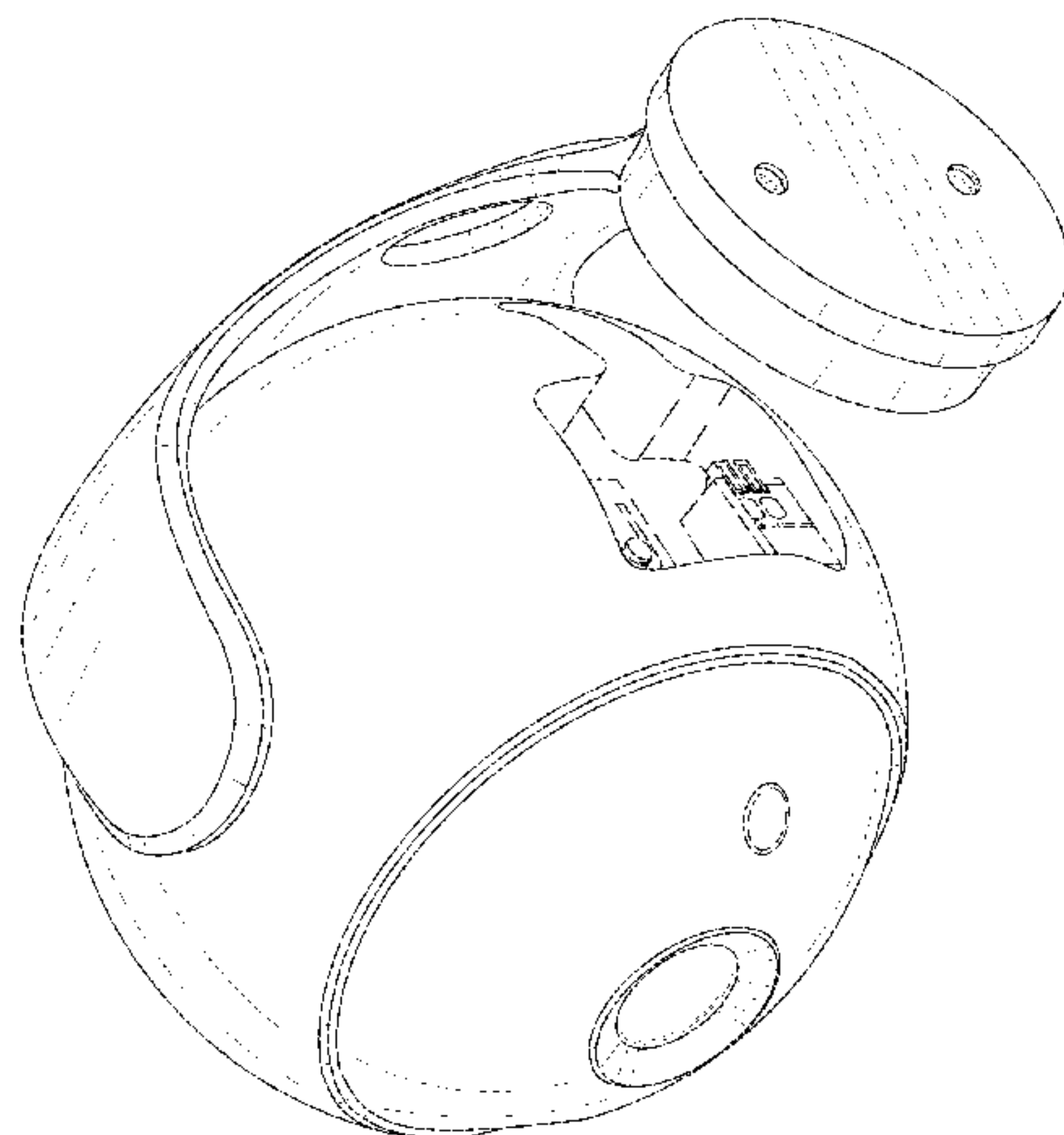
FIG. 4 is a left view thereof;

FIG. 5 is a right view thereof;

FIG. 6 is a top view thereof; and,

FIG. 7 is a bottom view thereof.

1 Claim, 7 Drawing Sheets



(56)

References Cited

U.S. PATENT DOCUMENTS

2006/0109375 A1* 5/2006 Ho H04N 5/2251
348/376
2008/0136909 A1* 6/2008 Berkey G05B 19/4062
348/143
2016/0127618 A1* 5/2016 Bart H04N 5/2252
348/373
2017/0115549 A1* 4/2017 Wada G03B 15/16

* cited by examiner

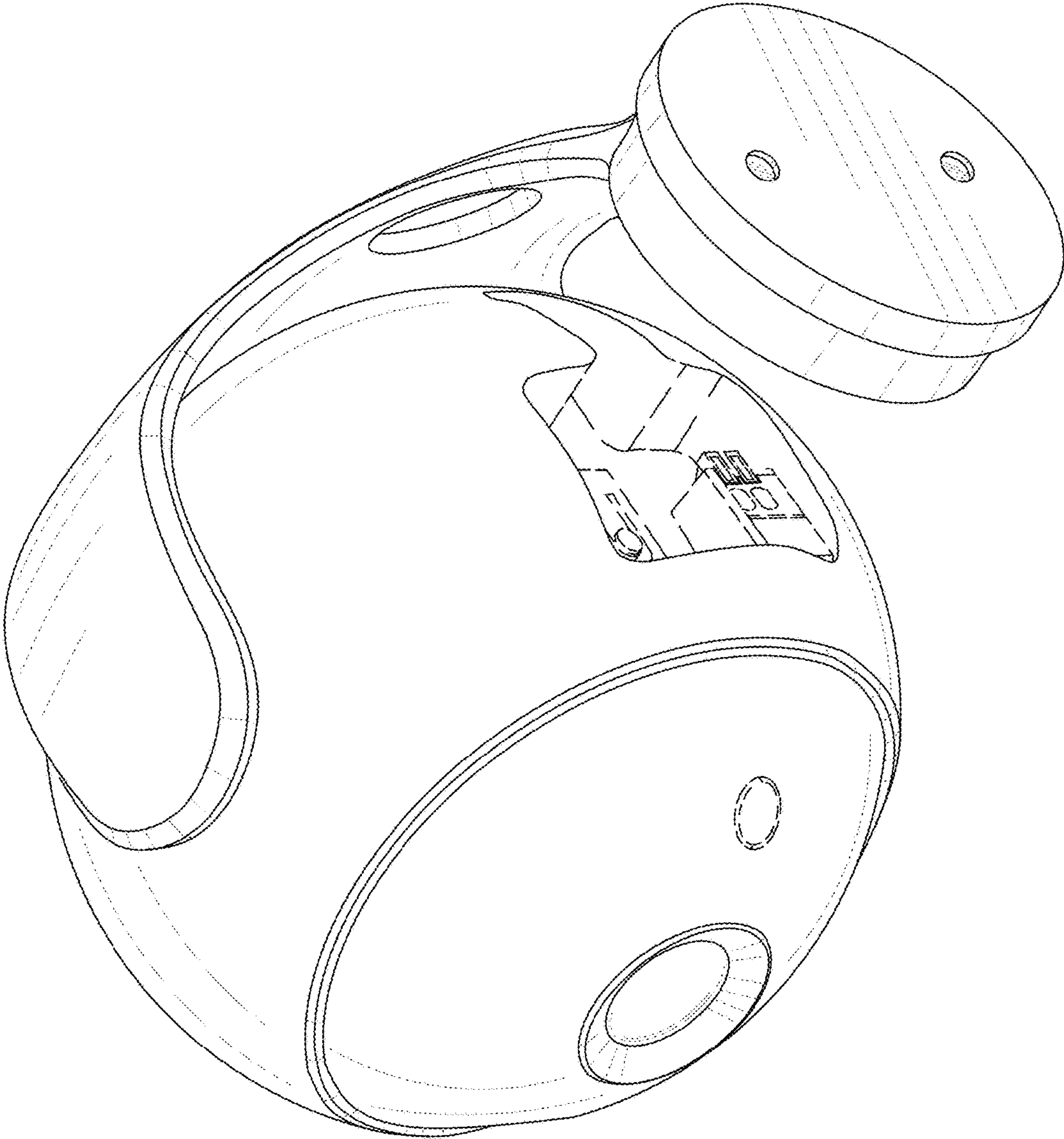


Fig. 1

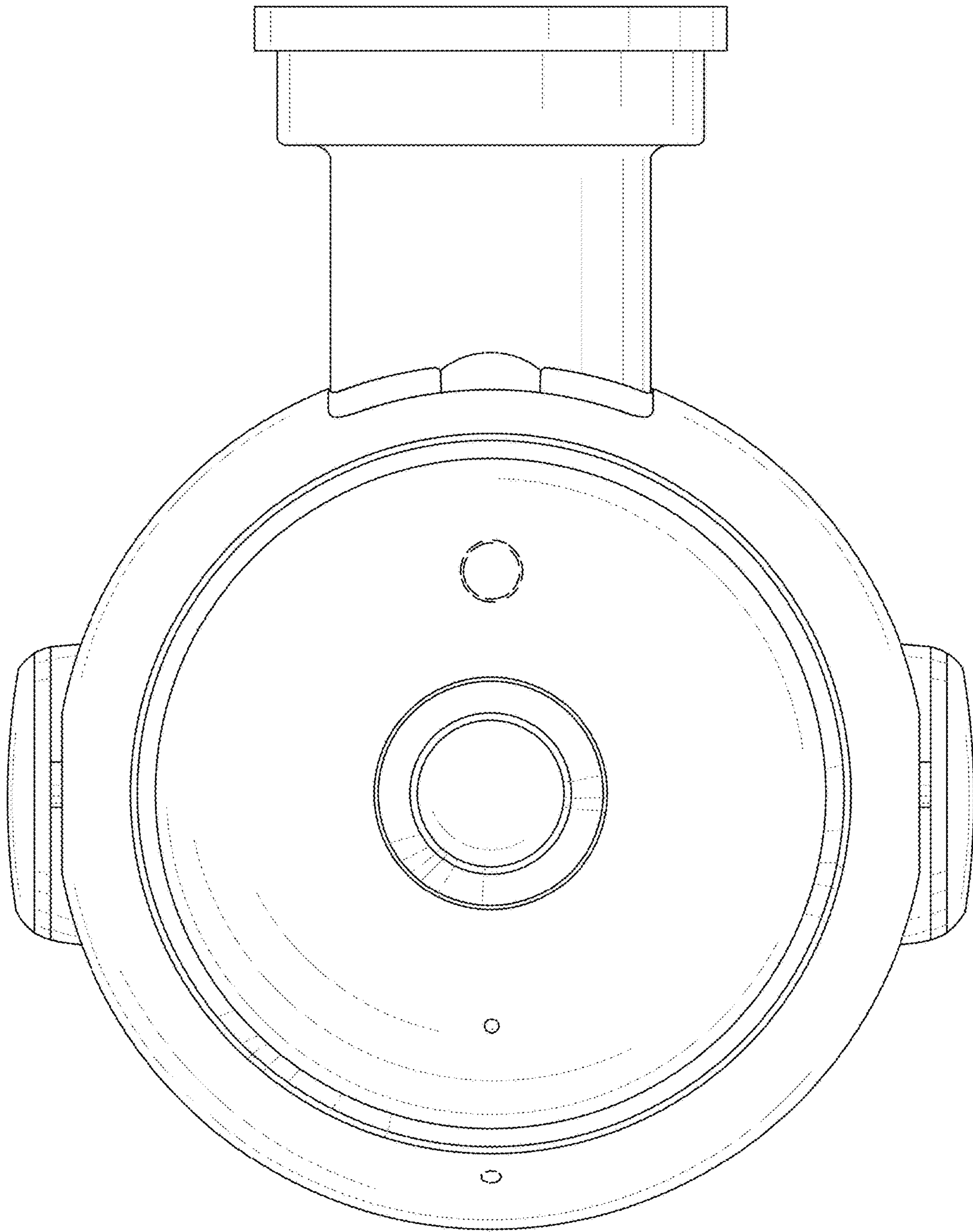


Fig.2

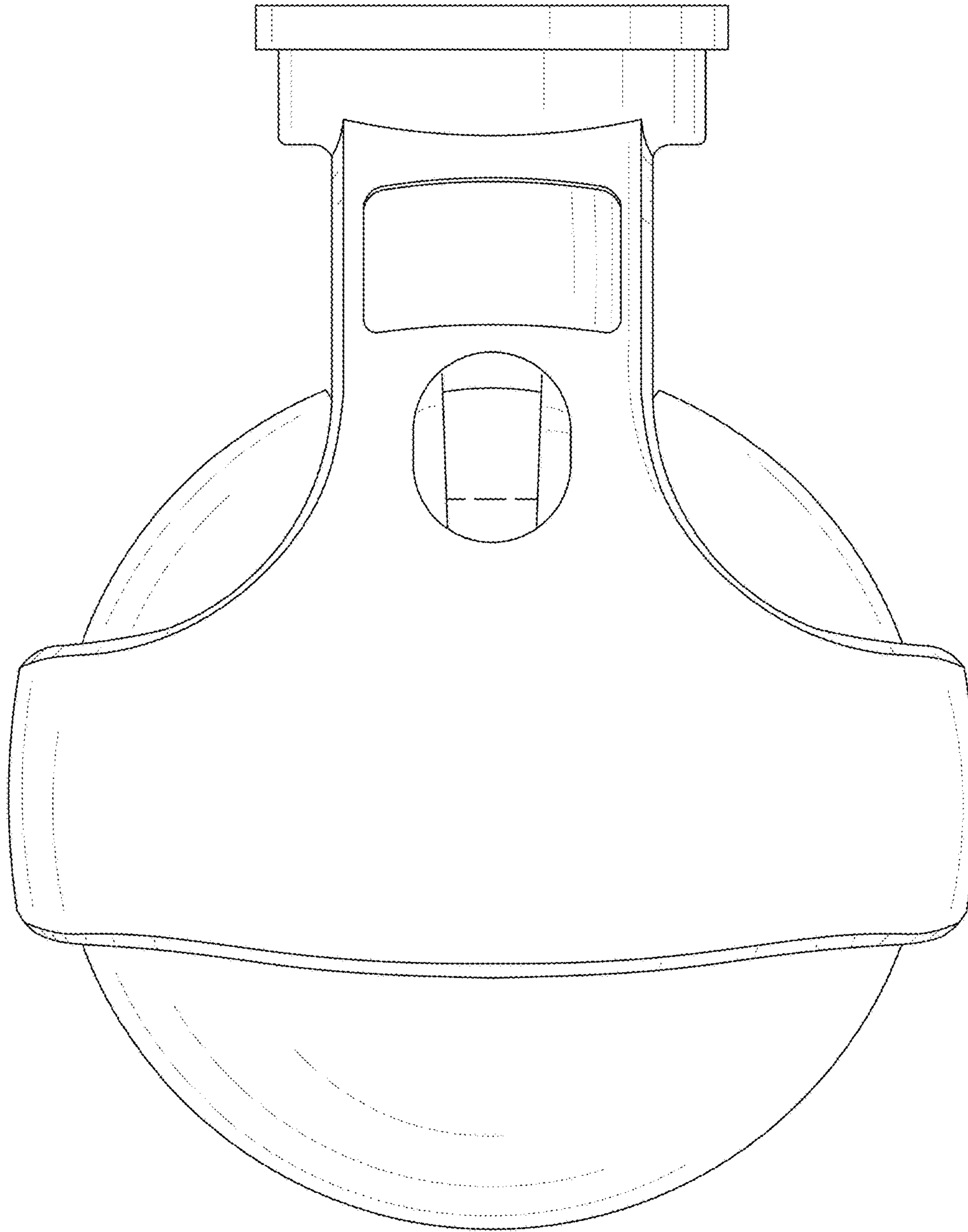


Fig.3

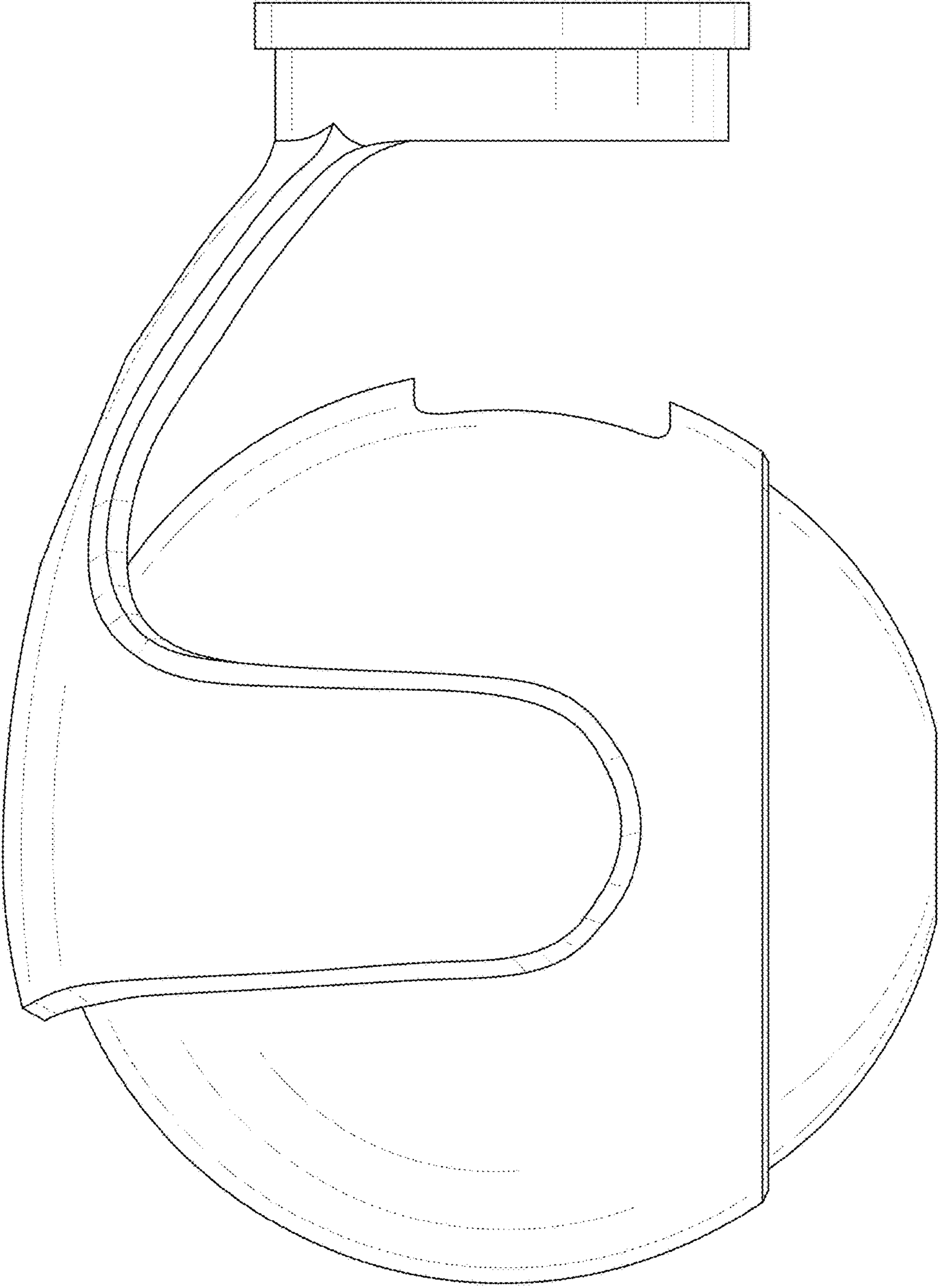


Fig.4

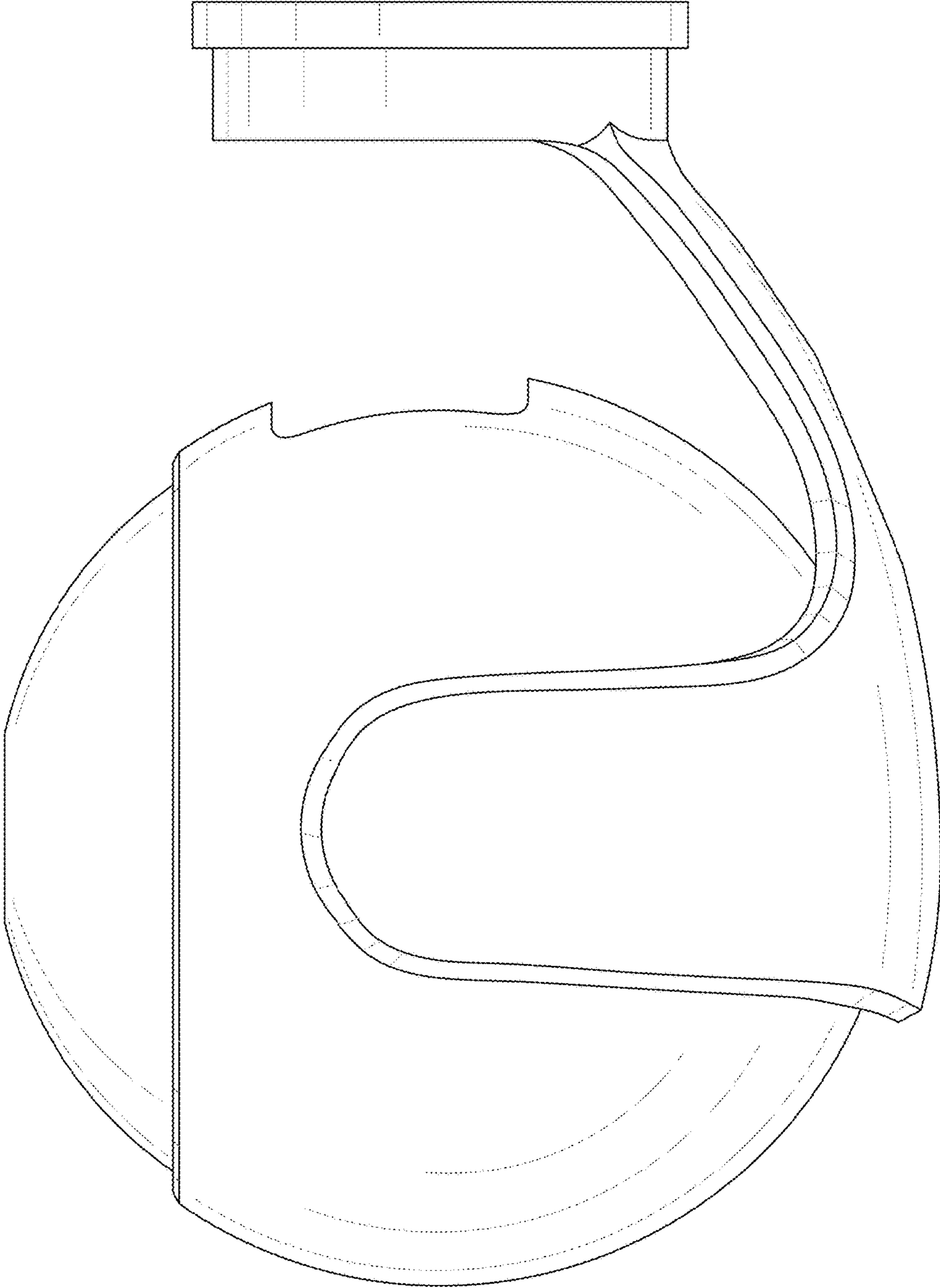


Fig.5

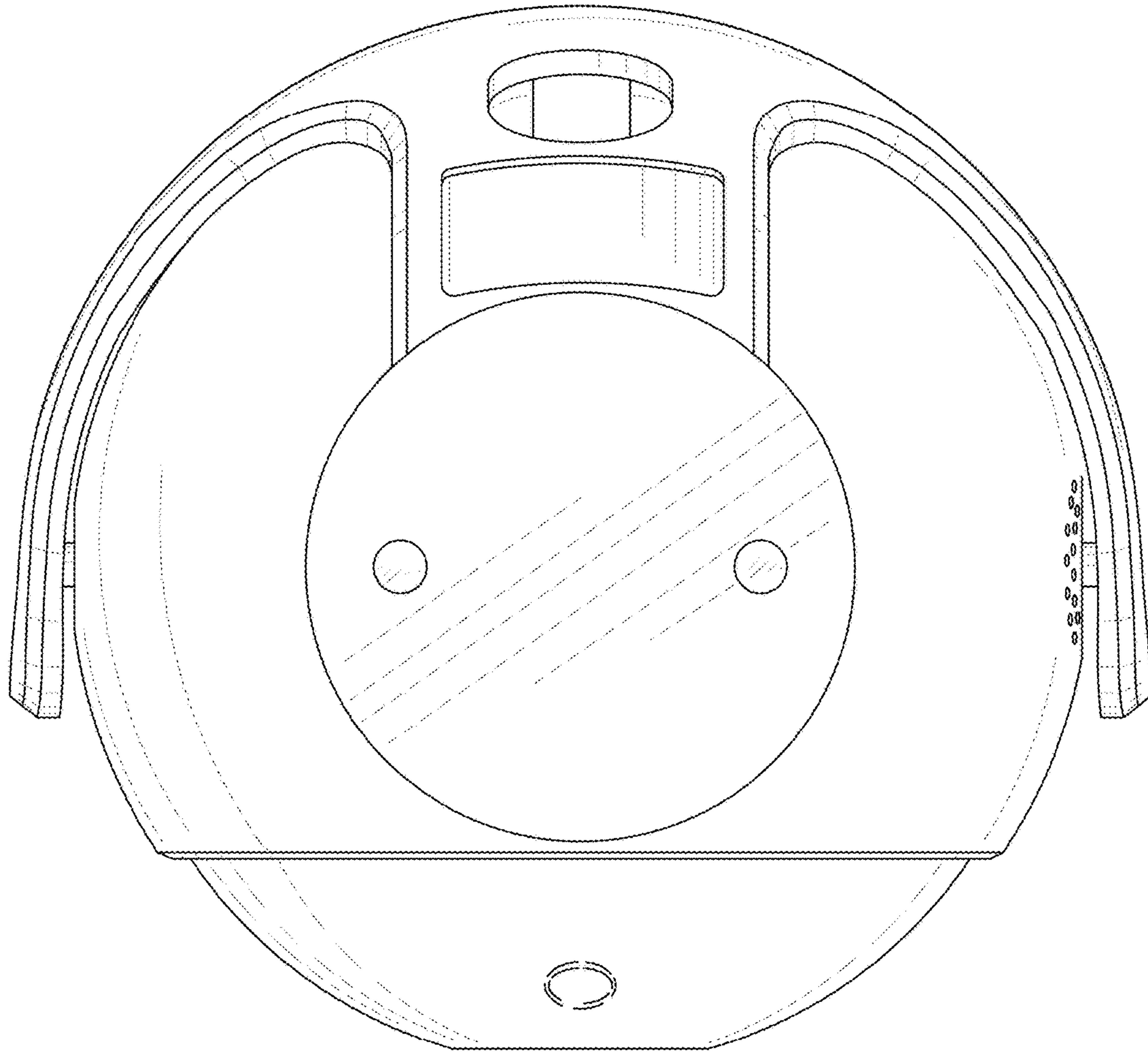


Fig.6

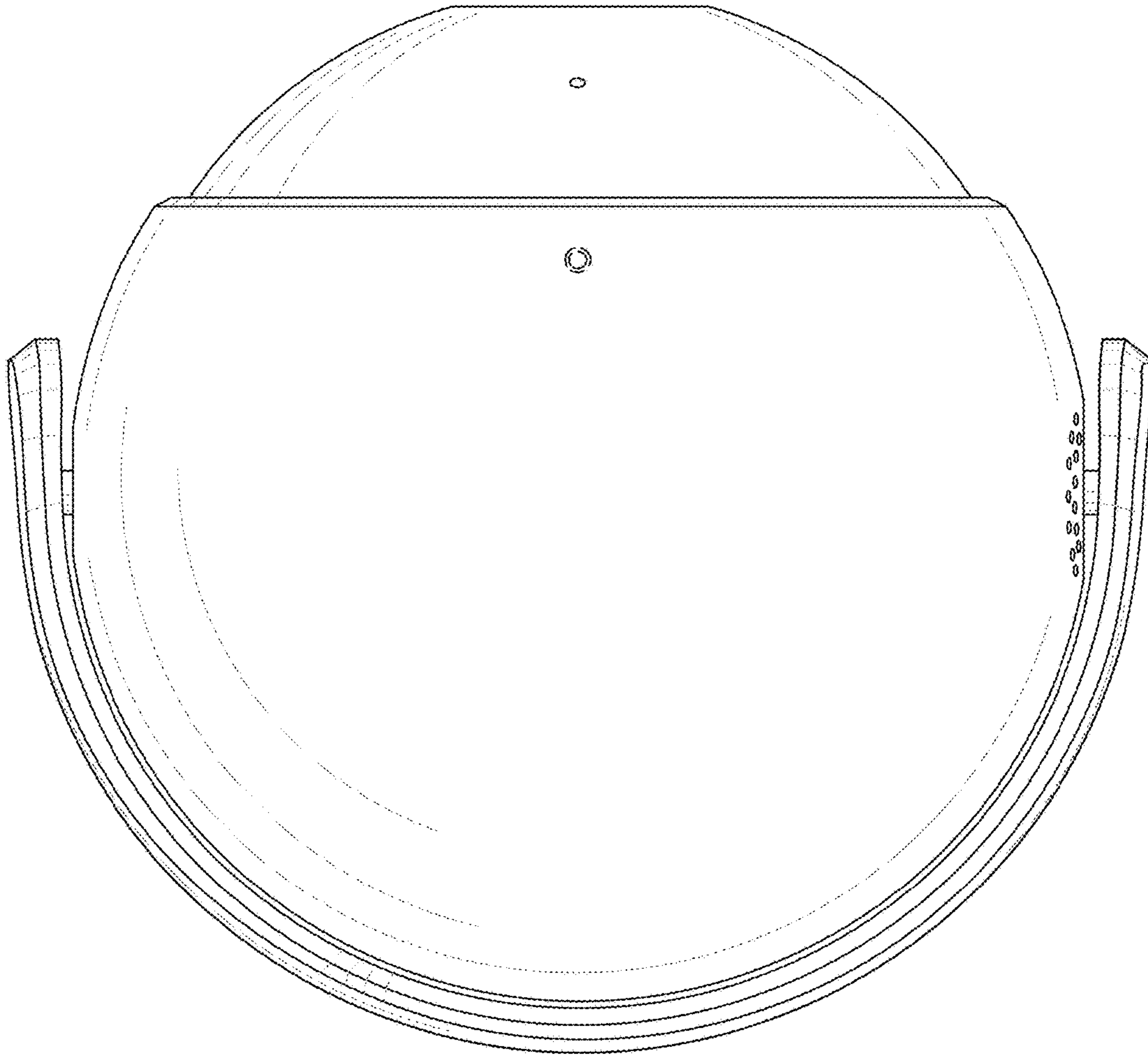


Fig.7