



US00D819713S

(12) **United States Design Patent** (10) **Patent No.:** **US D819,713 S**  
**Pickett et al.** (45) **Date of Patent:** **\*\* Jun. 5, 2018**

- (54) **IMAGE TRACKER ASSEMBLY**
- (71) Applicant: **Oculus VR, LLC**, Menlo Park, CA (US)
- (72) Inventors: **David Michael Pickett**, Seattle, WA (US); **Enric Vial Roig**, Seattle, WA (US); **Peter Wesley Bristol**, Seattle, WA (US)
- (73) Assignee: **Oculus VR, LLC**, Menlo Park, CA (US)

5,490,599	A	2/1996	Tohidi et al.	
D377,032	S *	12/1996	Morooka	D16/202
D403,338	S *	12/1998	Dunn	D16/131
5,954,310	A	9/1999	Soldo et al.	
6,056,450	A	5/2000	Walling	
6,311,641	B1	11/2001	Johnson	
6,411,332	B1 *	6/2002	Whitby	H04N 5/2251 348/373
D509,842	S *	9/2005	Ou	D16/202
D511,352	S *	11/2005	Oliver	D16/203
D545,858	S *	7/2007	Li	D16/202
D548,763	S *	8/2007	Boris	D16/202

(Continued)

- (\*\*) Term: **15 Years**
- (21) Appl. No.: **29/529,907**
- (22) Filed: **Jun. 11, 2015**
- (51) **LOC (11) Cl.** ..... **16-01**
- (52) **U.S. Cl.**  
USPC ..... **D16/202; D16/214**
- (58) **Field of Classification Search**  
USPC ..... D16/200, 202-206, 212, 214-216, 218, D16/219, 227, 229, 235, 239, 240, 242, D16/244; D25/16; 52/27.5, 29, 36.1; 348/373-376; 396/2, 3, 5, 419, 424, 427, 396/429, 535, 539-541; 455/575.3  
CPC ..... G03B 15/00; G03B 15/03; G03B 15/06; G03B 17/02; G03B 17/04; G03B 17/53; G03B 17/56; G03B 19/04; H04N 5/2251; H04N 5/2252; H04N 5/2253; H04N 5/2254; H04N 2101/00  
See application file for complete search history.

- (56) **References Cited**  
U.S. PATENT DOCUMENTS  
1,915,835 A 6/1933 Pajeau et al.  
4,593,877 A 6/1986 van der et al.  
5,271,196 A 12/1993 Fanti et al.  
5,381,176 A 1/1995 Tanabe et al.  
5,384,609 A 1/1995 Ogawa et al.

**OTHER PUBLICATIONS**

Blain, L., "Ancient' Oculus Rift concepts leak new controller and front-facing camera," GamesRadar+, dated Jun. 9, 2015, 8 pages.  
(Continued)

*Primary Examiner* — Philip S Hyder  
*Assistant Examiner* — Ramzi Almatrahi  
(74) *Attorney, Agent, or Firm* — FisherBroyles, LLP

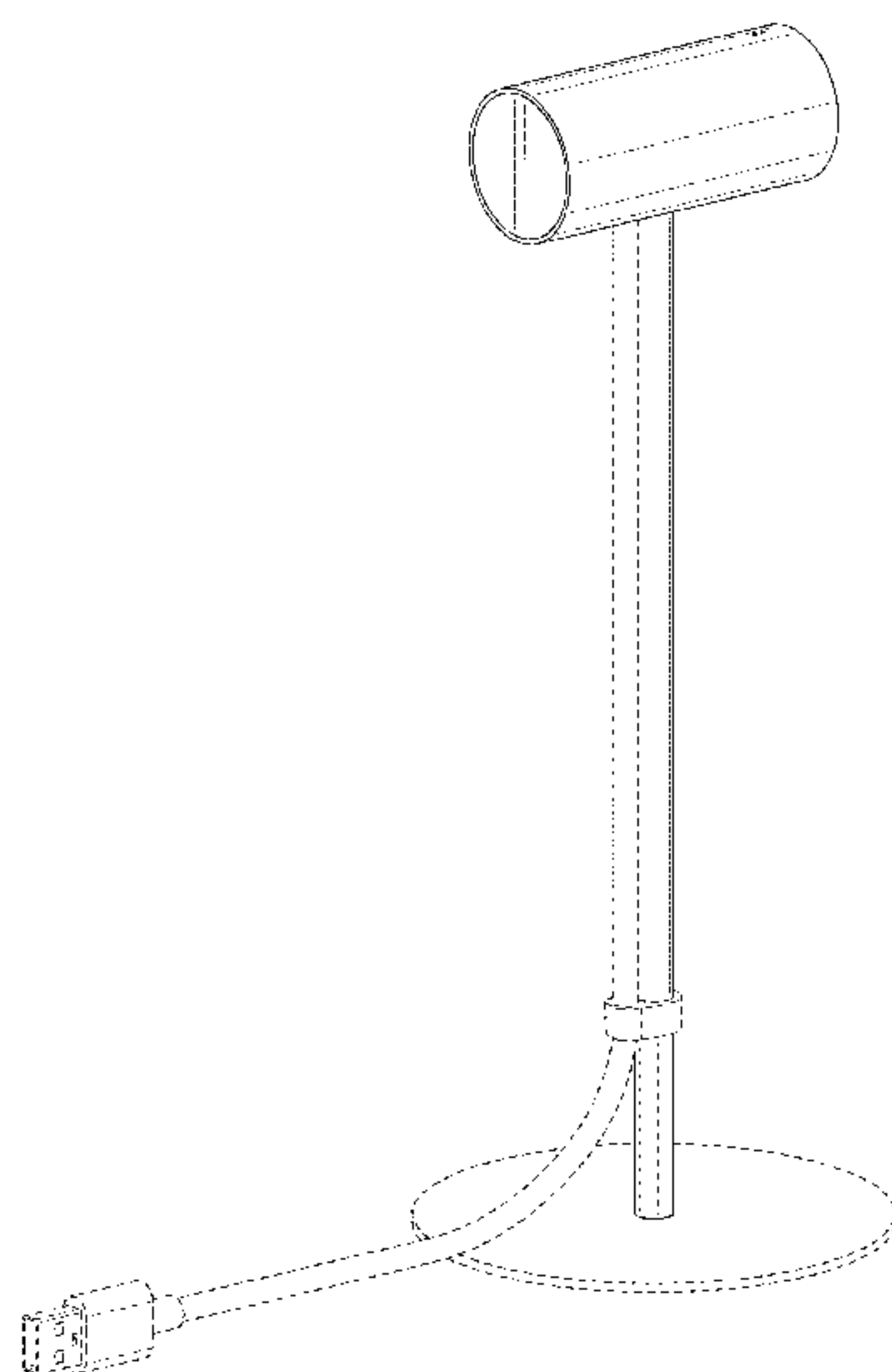
(57) **CLAIM**

The ornamental design for an image tracker assembly, as shown and described.

**DESCRIPTION**

FIG. 1 is an isometric view of an image tracker assembly showing the new design.  
FIG. 2 is a left side elevation view thereof.  
FIG. 3 is a right side elevation view thereof.  
FIG. 4 is a rear elevation view thereof.  
FIG. 5 is a front elevation view thereof.  
FIG. 6 is a top plan view thereof; and,  
FIG. 7 is a bottom plan view thereof.  
The broken lines in the drawings depict portions of the image tracker assembly in which the design is embodied that form no part of the claimed design.

**1 Claim, 7 Drawing Sheets**



(56)

References Cited

U.S. PATENT DOCUMENTS

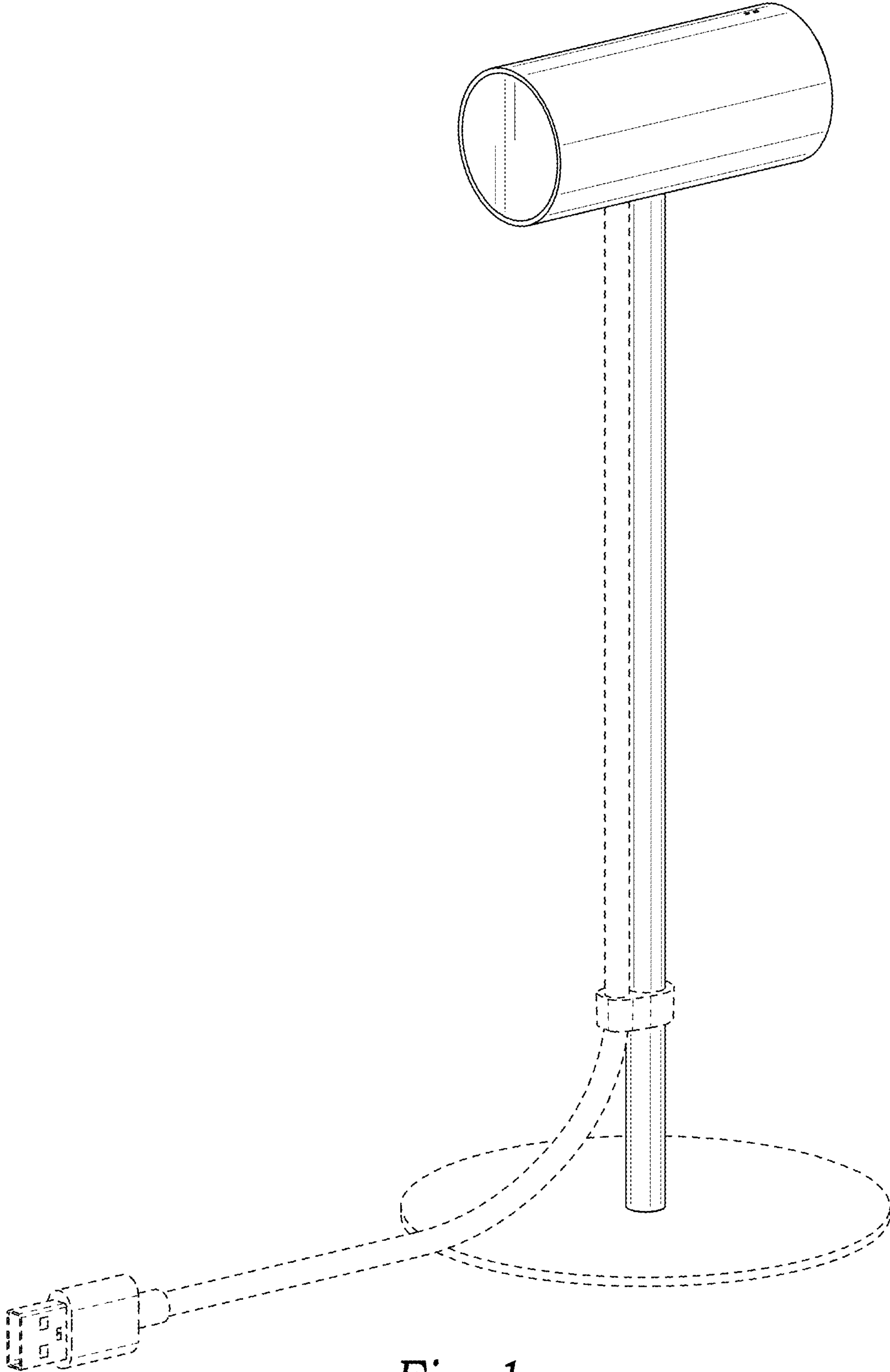
7,267,496	B2	9/2007	Wesselink et al.	
D569,887	S *	5/2008	Feng .....	D16/202
7,612,825	B2	11/2009	Lapstun et al.	
7,690,851	B2	4/2010	Sugiyama et al.	
D636,421	S *	4/2011	Sagen .....	D16/202
D640,721	S *	6/2011	Satine .....	D16/202
D645,891	S *	9/2011	Kim .....	D16/202
8,661,890	B1	3/2014	Raithel et al.	
8,668,395	B2	3/2014	Mameda et al.	
8,730,387	B2	5/2014	Cordes et al.	
D729,296	S *	5/2015	Shelton .....	D16/202
9,686,453	B2	6/2017	Tompkins et al.	
2005/0151846	A1	7/2005	Thornhill et al.	
2010/0155549	A1	6/2010	Robinson et al.	
2011/0049060	A1	3/2011	Uy et al.	
2011/0108689	A1	5/2011	Dorris et al.	
2012/0120236	A1	5/2012	Xiao et al.	
2013/0215322	A1 *	8/2013	Haler .....	H04N 5/232 348/373
2016/0077410	A1	3/2016	Lytle	
2017/0104899	A1	4/2017	Bristol et al.	
2017/0134621	A1	5/2017	Tompkins et al.	
2017/0163854	A1	6/2017	Tompkins et al.	

OTHER PUBLICATIONS

Examiner's Report dated Mar. 4, 2016 for Australian Application No. 366593, of Picket, D., et al., filed Dec. 8, 2015.  
 Examiner's Report dated Mar. 4, 2016 for Australian Application No. 366594, of Picket, D., et al., filed Dec. 8, 2015.  
 First Examination Report dated Feb. 4, 2016 for Israeli Application No. 57745, of Picket, D., et al., filed Nov. 26, 2015.  
 First Examination Report dated Mar. 18, 2016 for Indian Design Application No. 278181, of Picket, D., et al., filed Dec. 9, 2015.

First Examination Report dated Mar. 18, 2016 for Indian Design Application No. 278192, of Picket, D., et al., filed Dec. 9, 2015.  
 First Examiner's Report dated Apr. 8, 2016 for Canadian Application No. 167,442, filed Jul. 6, 2015.  
 First Examiner's Report dated Nov. 19, 2015 for Canadian Application No. 163,155, filed Jul. 6, 2015.  
 Lang, B., "Front-facing Camera and New Positional Tracker for Oculus Rift Shown in Leak," Road to VR, Jun. 9, 2015, 2 pages.  
 Lang, B., "Oculus Rift Input Controller Revealed in Leaked 'Placeholder Concept'", Road to VR, dated Jun. 9, 2015, 2 pages.  
 Orland, K., "Leaked images could point to Oculus controller, final Rift design," ars Technica, dated Jun. 10, 2015, 2 pages.  
 Second Examiner's Report dated Mar. 15, 2016 for Canadian Application No. 163,155, filed Jul. 6, 2015.  
 U.S. Appl. No. 14/935,295 by Tompkins, G., et al., filed Nov. 6, 2015.  
 Notice of Allowance dated Mar. 23, 2017, for U.S. Appl. No. 14/935,295 by Tompkins, G., et al., filed Nov. 6, 2015.  
 Final Office Action dated Nov. 22, 2016, for U.S. Appl. No. 14/877,833 by Bristol, P., et al., filed Oct. 7, 2015.  
 Non-Final Office Action dated Jan. 30, 2017, for U.S. Appl. No. 14/935,295 by Tompkins, G., et al., filed Nov. 6, 2015.  
 U.S. Appl. No. 15/442,388 by Tompkins, G., et al. filed Feb. 24, 2017.  
 Non-Final Office Action dated Aug. 16 2016, for U.S. Appl. No. 14/877,833 by Bristol, P., et al., filed Oct. 7, 2015.  
 Notice of Preliminary Rejection dated Oct. 9, 2016 for Korean Application No. 30-2015-0063431, of Pickett, D., et al., filed Dec. 11, 2015.  
 U.S. Appl. No. 14/877,833 by Bristol, P., et al., filed Oct. 7, 2015.  
 Non-Final Office Action dated May 17, 2017, for U.S. Appl. No. 15/442,388 by Tompkins, G., et al., filed Feb. 24, 2017.  
 U.S. Appl. No. 29/610,210 by Pickett, D., et al., filed Jul. 10, 2017.  
 Notice of Allowance dated Oct. 25, 2017 for U.S. Appl. No. 15/442,388 by Tompkins, G., et al. filed Feb. 24, 2017.

\* cited by examiner



*Fig. 1*

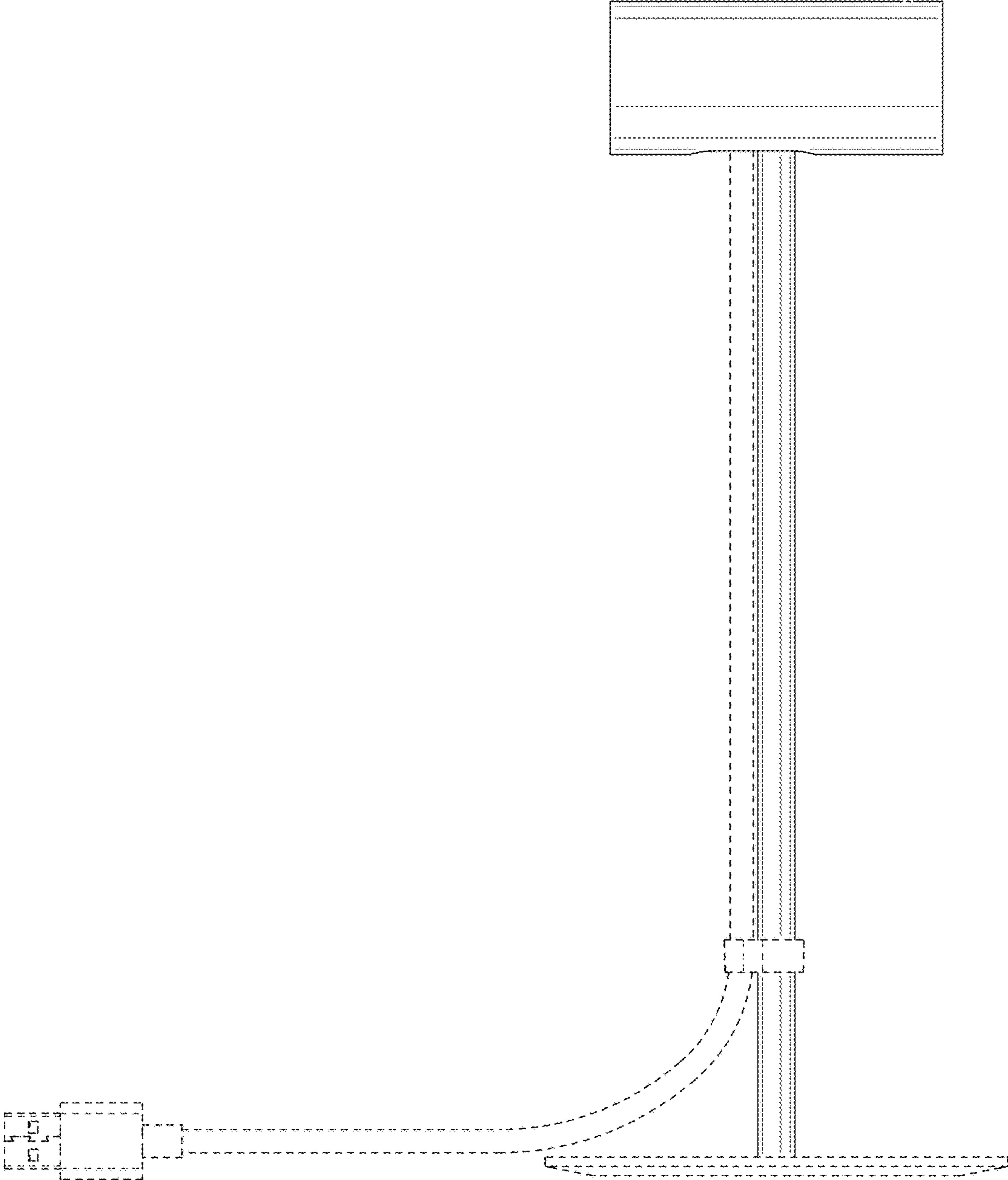


Fig. 2

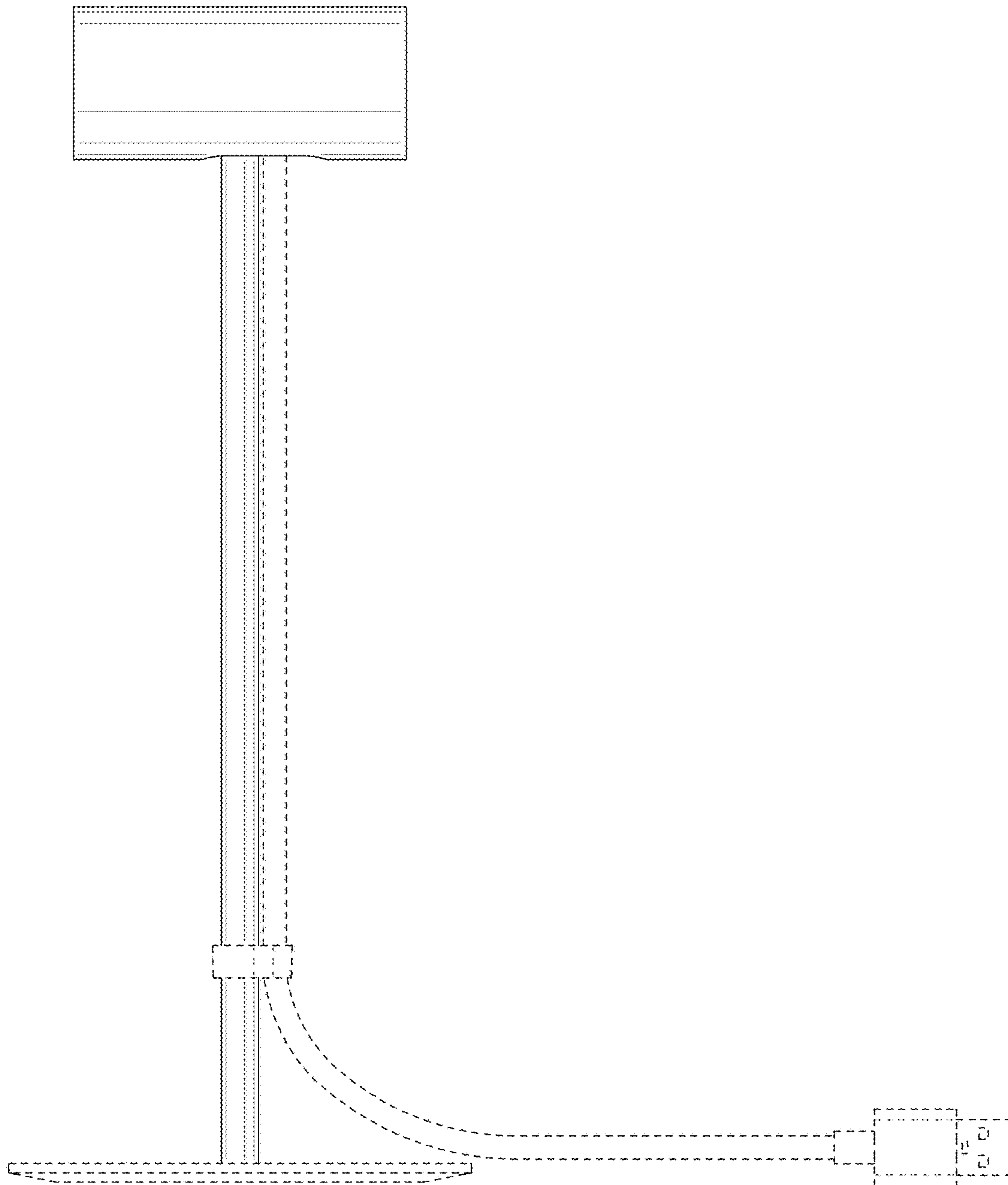
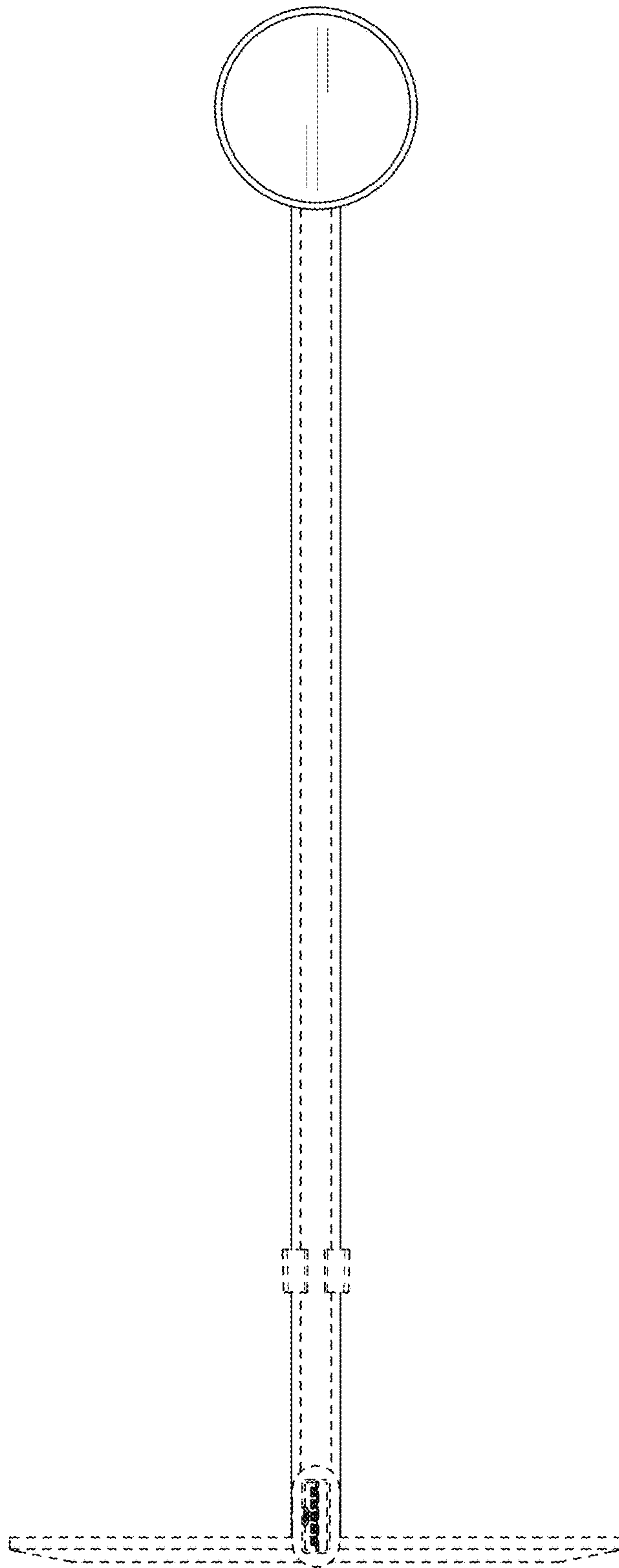
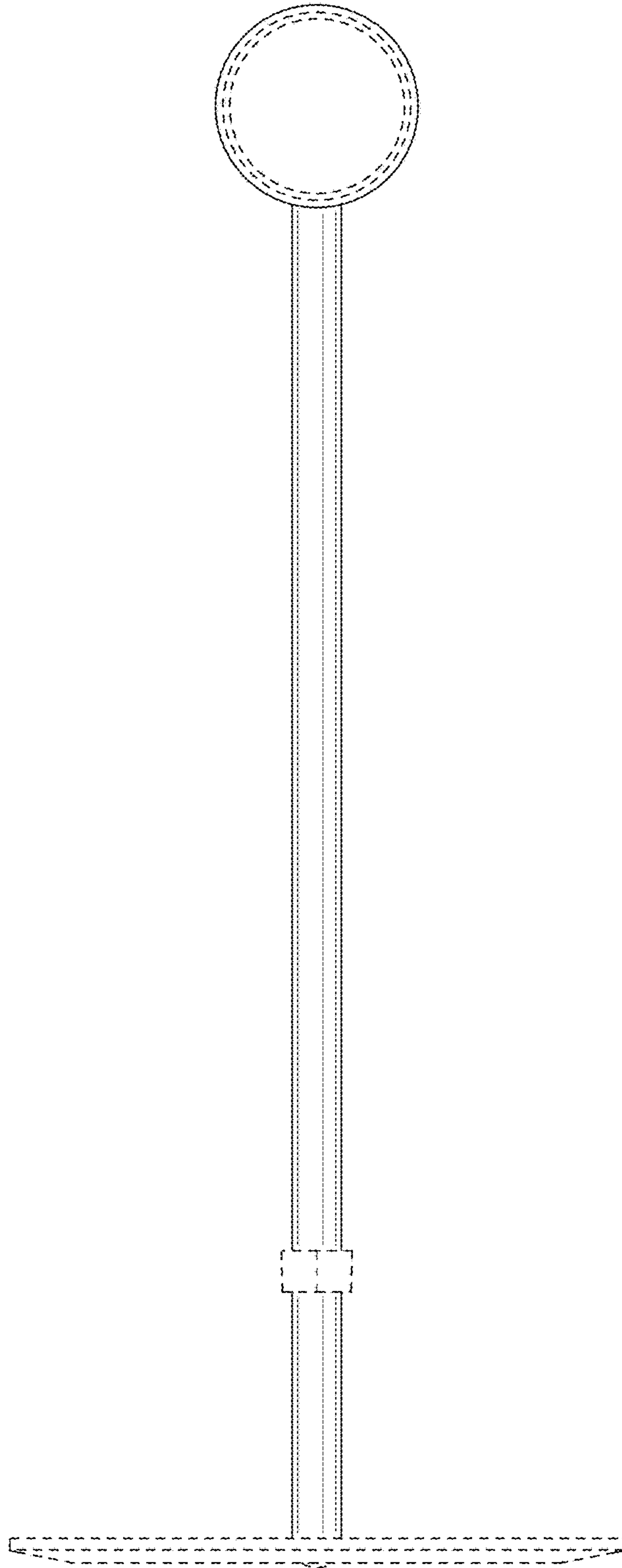


Fig. 3

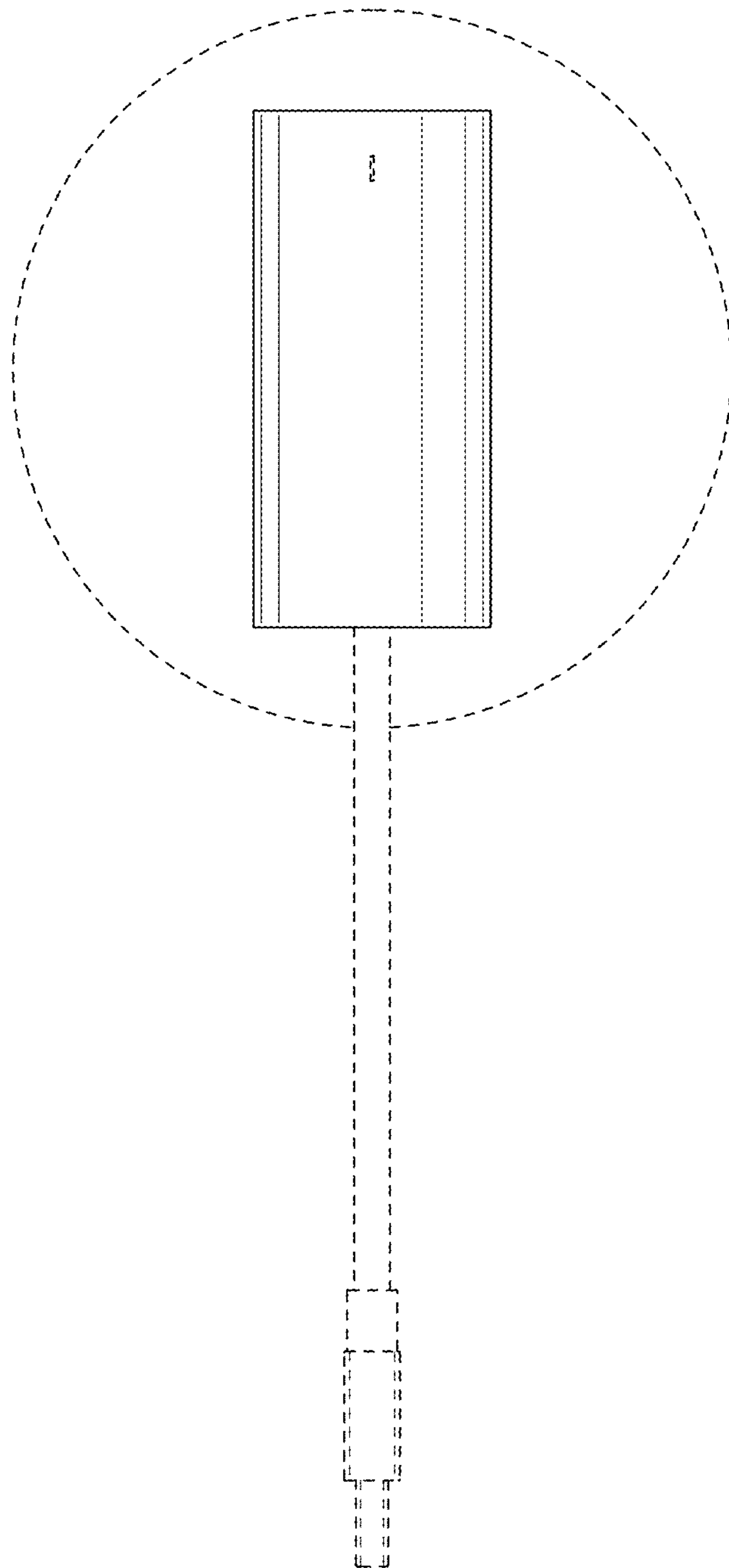




*Fig. 4*

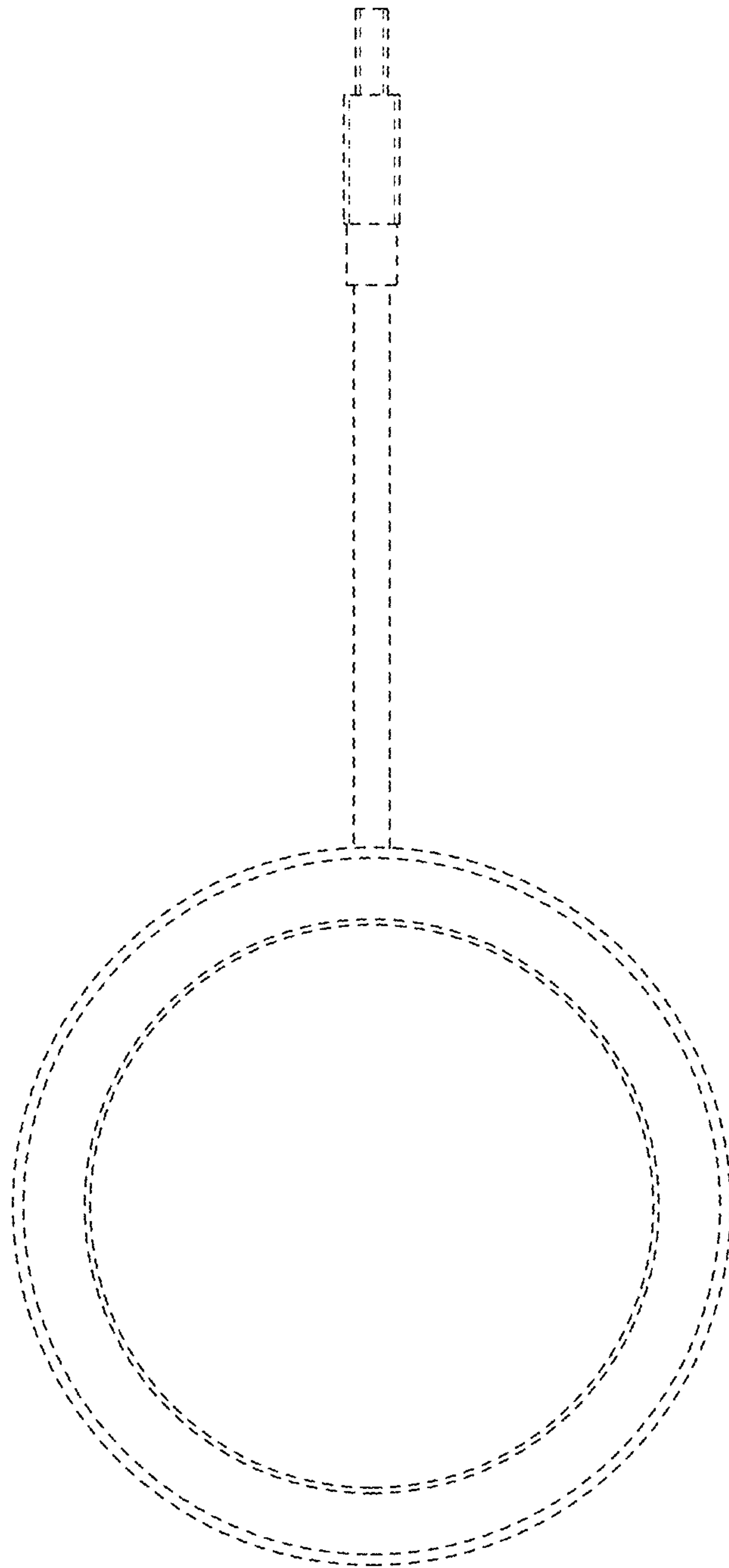


*Fig. 5*



*Fig. 6*





*Fig. 7*