



US00D819709S

(12) **United States Design Patent** (10) **Patent No.:** **US D819,709 S**
Hunt et al. (45) **Date of Patent:** **** Jun. 5, 2018**

- (54) **GEAR MOTOR CASING**
- (71) Applicant: **DEKA Products Limited Partnership**,
Manchester, NH (US)
- (72) Inventors: **William D. Hunt**, Gilmanton, NH
(US); **Daniel S. Karol**, Southborough,
MA (US); **David E. Collins**, Merrimac,
MA (US)
- (73) Assignee: **DEKA Products Limited Partnership**,
Manchester, NH (US)
- (**) Term: **15 Years**
- (21) Appl. No.: **29/582,804**
- (22) Filed: **Oct. 31, 2016**
- (51) **LOC (11) Cl.** **15-09**
- (52) **U.S. Cl.**
USPC **D15/138**
- (58) **Field of Classification Search**
USPC D13/122; D15/138, 148, 149
CPC F28F 1/20; H02K 5/04; H02K 5/10; H02K
5/22; H02K 5/148; H02K 29/14; H02P
6/06
See application file for complete search history.

- (56) **References Cited**
U.S. PATENT DOCUMENTS
D544,509 S * 6/2007 Tiller D12/126
D597,112 S * 7/2009 Takeuchi D15/143
D619,631 S * 7/2010 Otsuka D15/149
D660,334 S * 5/2012 Takeuchi D15/143
8,950,565 B2 * 2/2015 Adams F16D 41/10
192/12 B
D780,118 S * 2/2017 Rudolph D13/112
2008/0182693 A1 * 7/2008 Holmes B60K 6/365
475/5

- 2013/0277164 A1 * 10/2013 Prout F16D 25/061
192/69.9
- 2013/0327171 A1 * 12/2013 Shu F16H 63/30
74/337.5
- 2014/0374567 A1 * 12/2014 Weidner F16M 13/022
248/652
- 2017/0016489 A1 * 1/2017 Grosskopf F16D 23/12
- 2017/0097072 A1 * 4/2017 Carames Jimenez ... F16H 33/06
- 2017/0373554 A9 * 12/2017 Kim H02K 5/04
- 2017/0373558 A1 * 12/2017 Ramirez, Jr. H02K 5/22
- 2018/0003185 A1 * 1/2018 Afshar F04D 15/0066

OTHER PUBLICATIONS

Vex Robotics Gearbox Search—Vex Robotics Inc. (<https://www.vexrobotics.com>) <https://www.vexrobotics.com/catalogsearch/result/?q=gearbox> Copyright © 2002-2017. VEX Robotics, Inc. is a subsidiary of Innovation First International, Inc.

(Continued)

Primary Examiner — Patricia A Palasik
(74) *Attorney, Agent, or Firm* — Kathleen Chapman

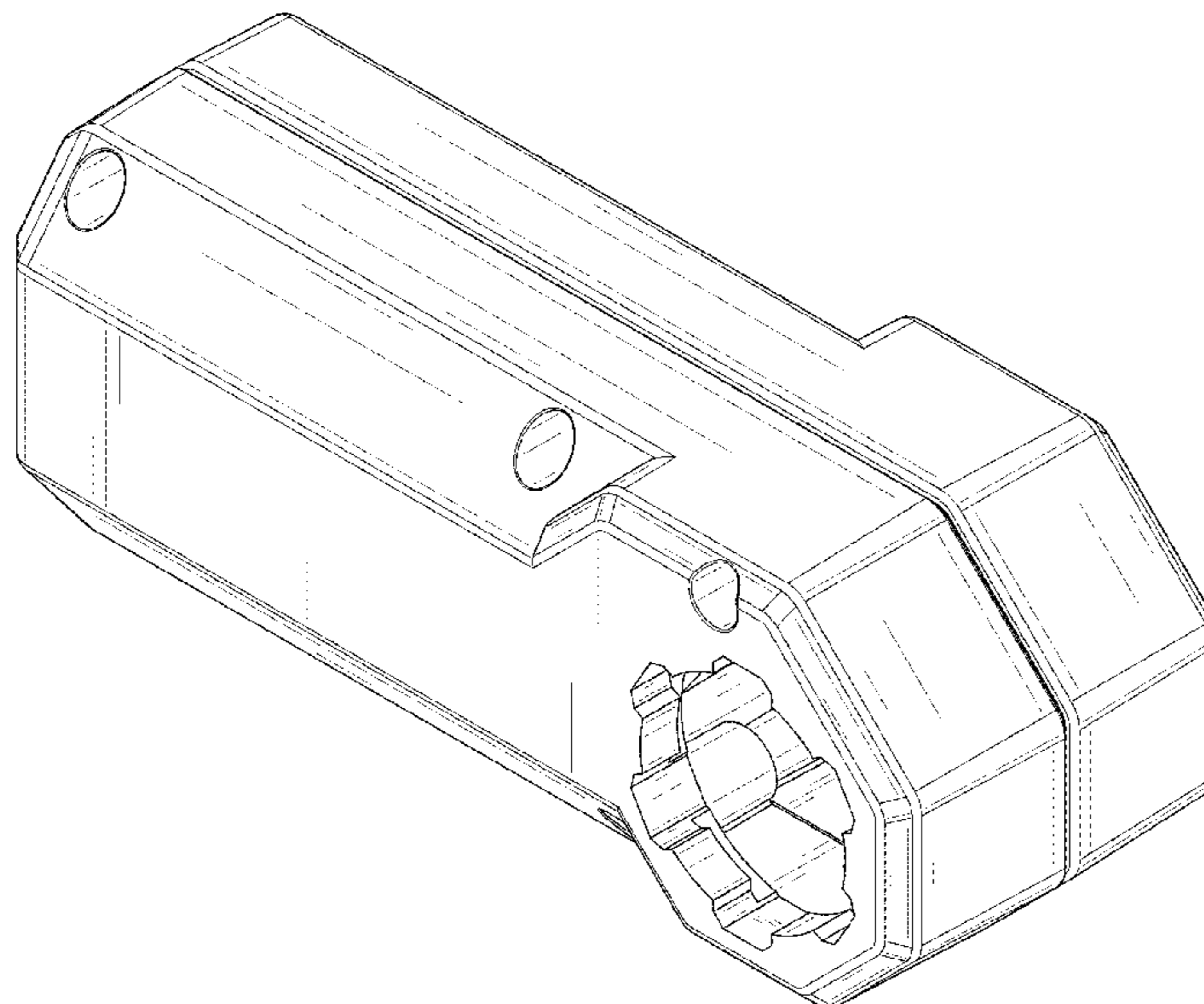
(57) **CLAIM**

The ornamental design of a gear motor casing, as shown and described.

DESCRIPTION

FIG. 1 is a front, top, right side perspective view of the gear motor casing, showing our new design; FIG. 2 is a front side elevational view thereof; FIG. 3 is a rear side elevational view thereof; FIG. 4 is a left side elevational view thereof; FIG. 5 is a right side elevational view thereof; FIG. 6 is a top plan view thereof; and, FIG. 7 is a bottom plan view thereof. The features shown in broken lines depict environmental structure only and form no part of the claimed design.

1 Claim, 7 Drawing Sheets



(56)

References Cited

OTHER PUBLICATIONS

MakeBlock Gear Search—MakeBlock Co., (<http://www.makeblock.com>) <http://www.makeblock.com/index.php?route=product/search&search=gear> © 2013-2017 Makeblock Co., Ltd.

AndyMark Gearbox search—AndyMark Inc.,—(<http://www.andymark.com>) <http://www.andymark.com/Search-s/545.htm?Search=gearbox&Submit=Copyright> © 2017 AndyMark, Inc..

Pitsco Tetrax Gear and Motor search—Tetrax Pitsco, Inc. (<http://www.tetraxrobotics.com>) http://www.tetraxrobotics.com/Search/gear_motor?st=0 © 2017 Pitsco, Inc.

Servocity Gearbox and Gearmotor search—Servocity Inc. (<https://www.servocity.com>) <https://www.servocity.com/catalogsearch/result?q=gear+box+motor> Copyright 1999-2016 Robotzone, LLC—ServoCity® is a registered trademark of Robotzone, LLC.

SparkFun Gear Motor Search—Spark Fun Electronics (<https://www.sparkfun.com>) <https://www.sparkfun.com/search/results?term=gearmotor> (Publication date unknown but assumed to be prior to the filing date.).

West Coast Products Gearbox and Gearmotor search—West Coast Products LLC (<http://www.wcproducts.net>) <http://www.wcproducts.net/catalogsearch/result?q=gearbox> © 2016 WestCoast Products & Design LLC.

* cited by examiner

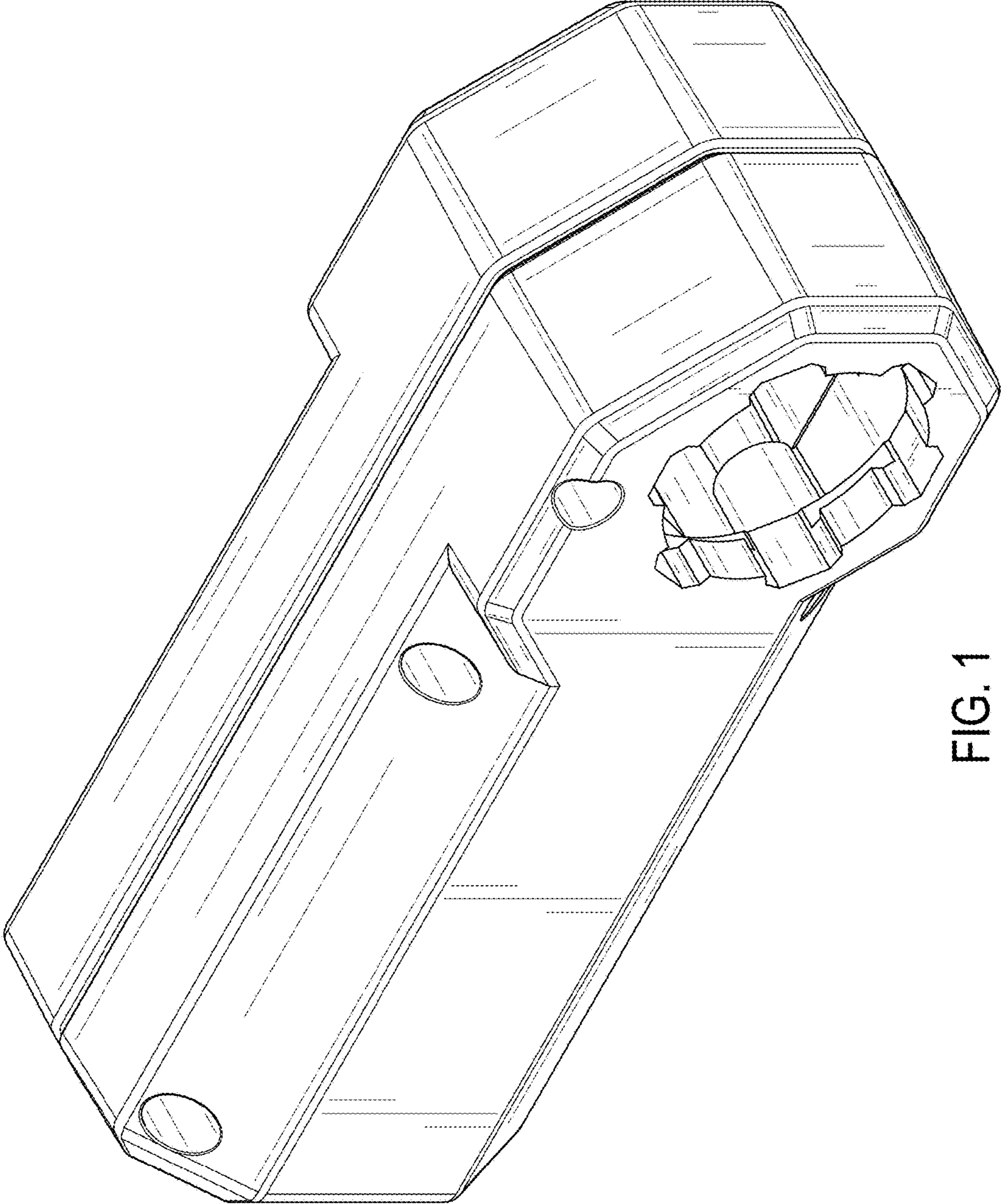


FIG. 1

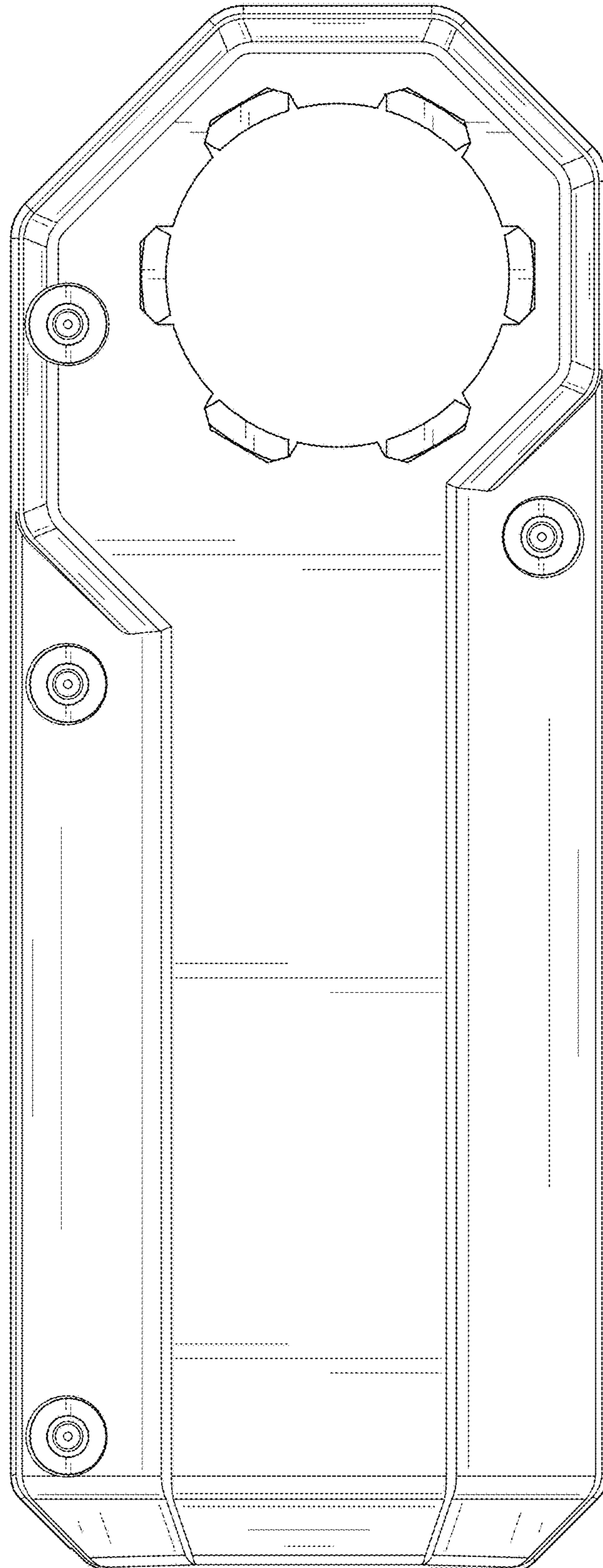


FIG. 2

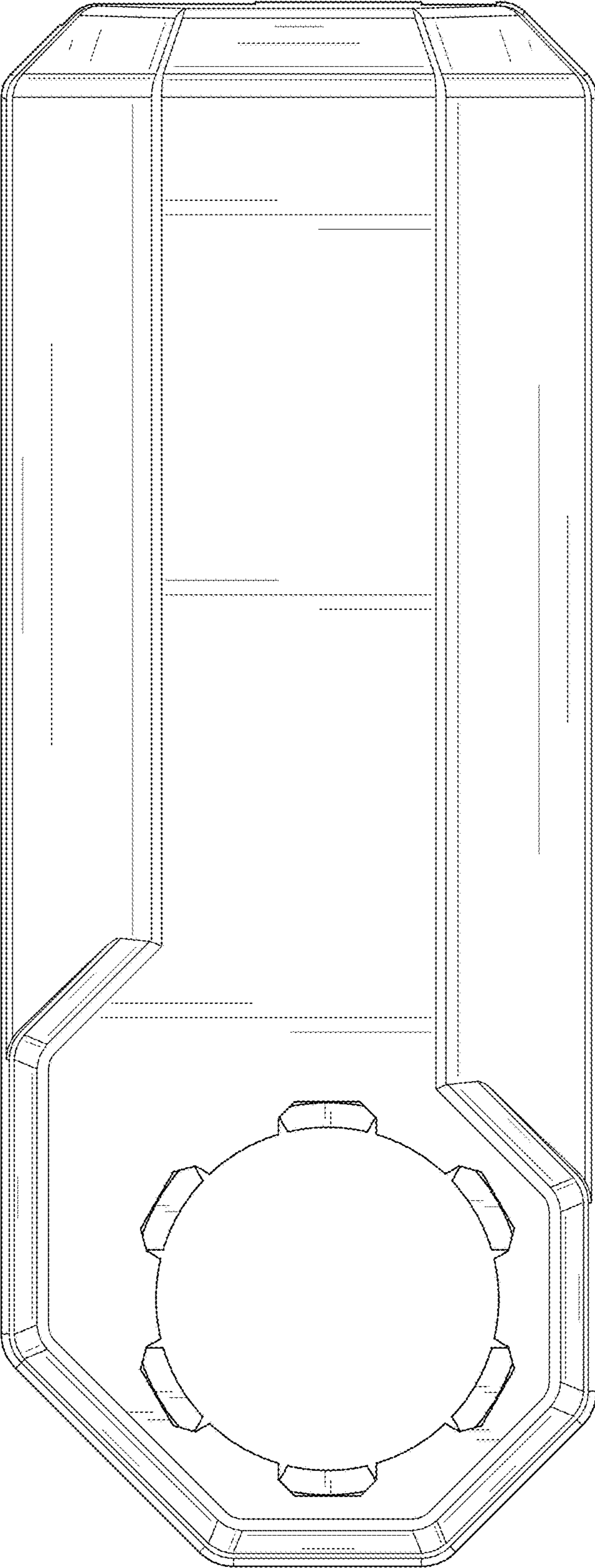


FIG. 3

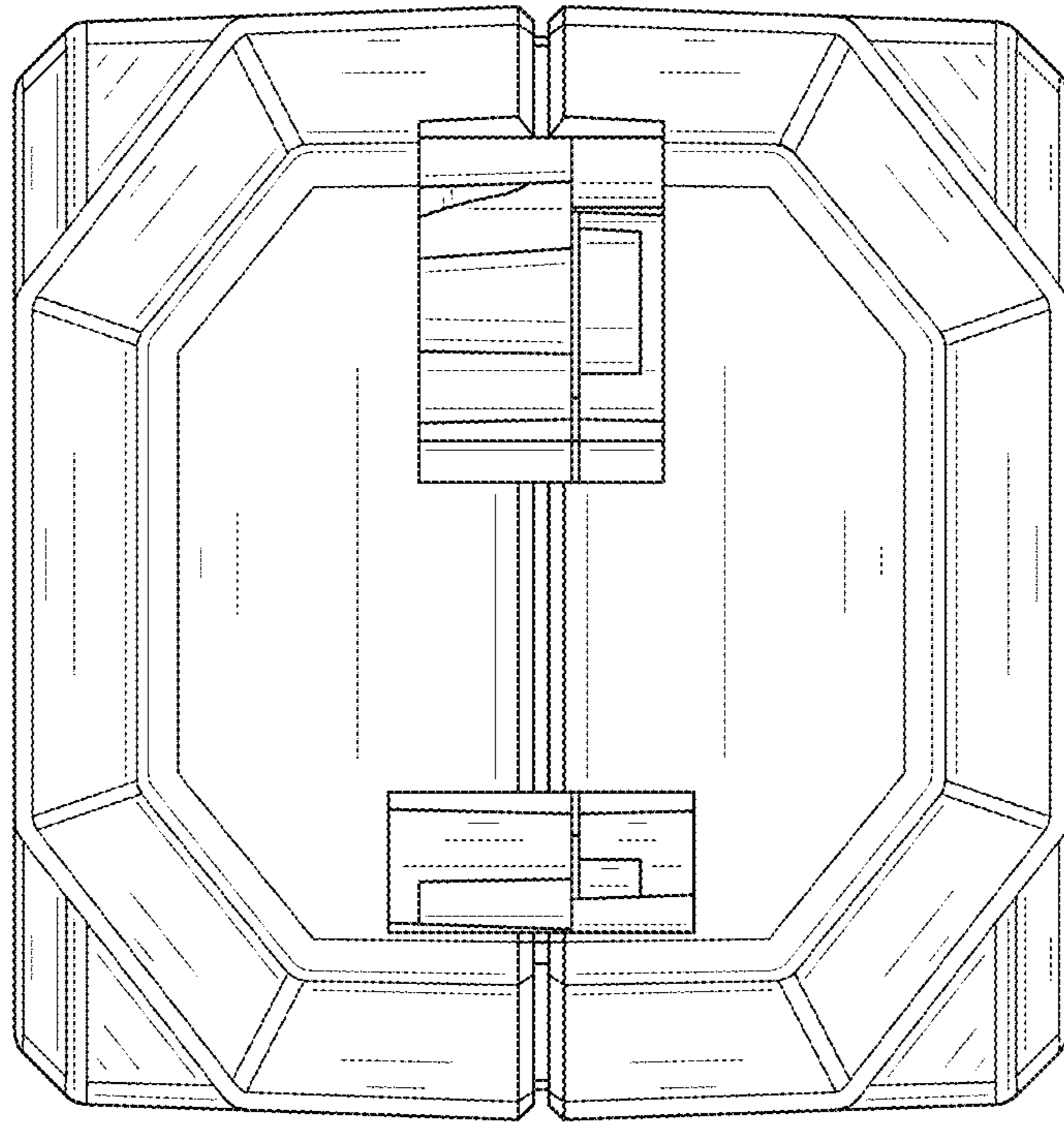


FIG. 4

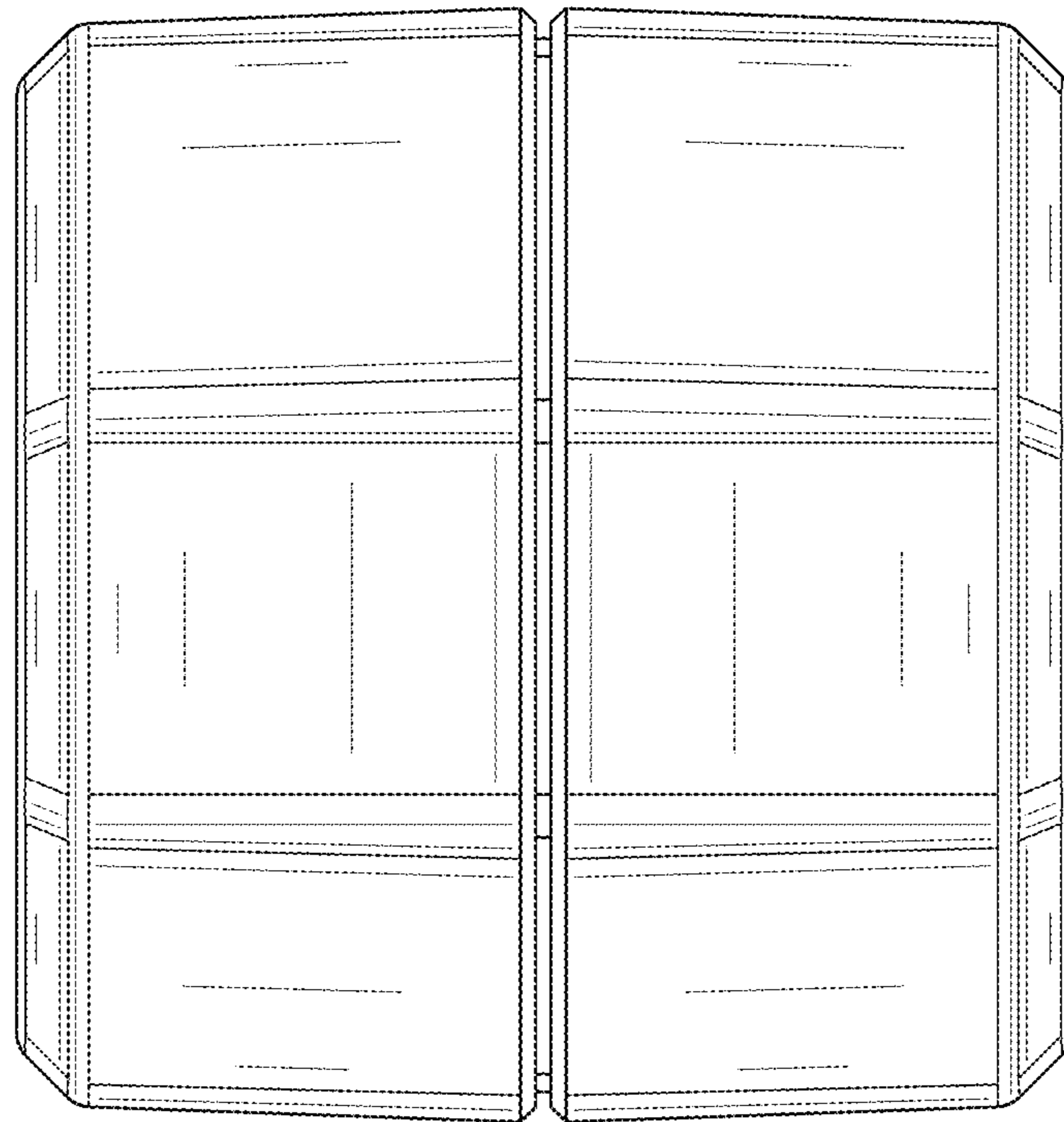


FIG. 5

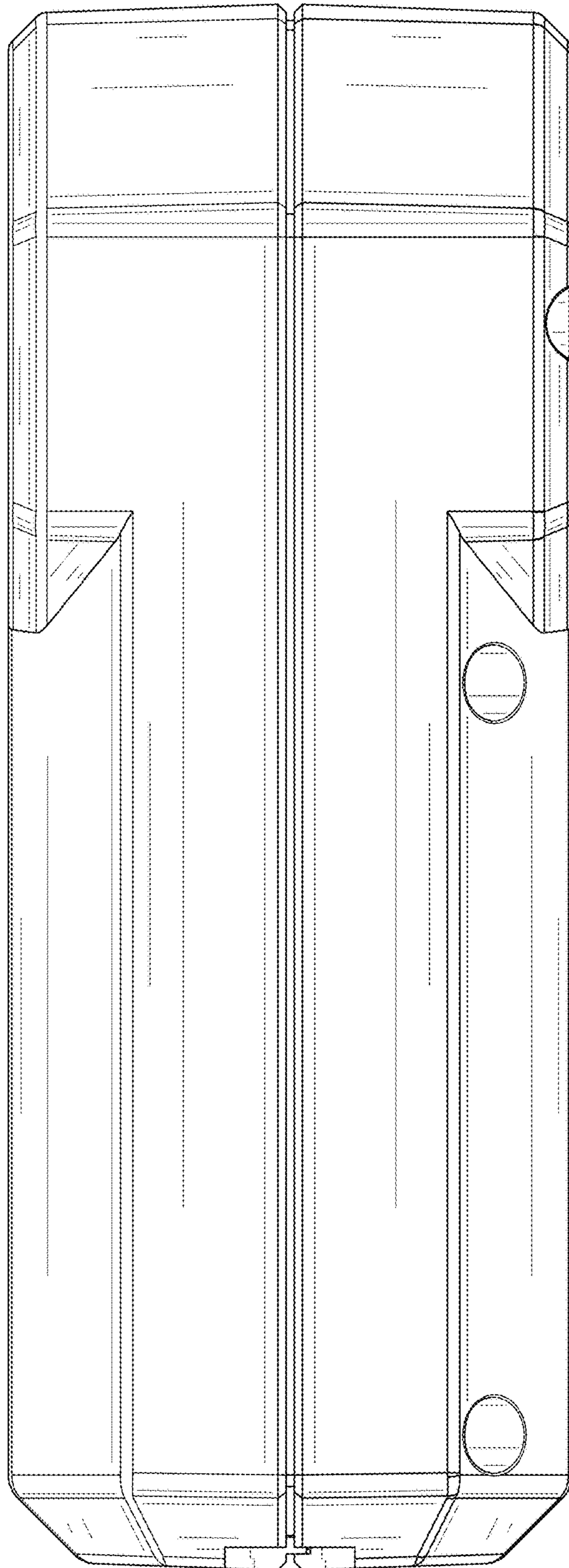


FIG. 6

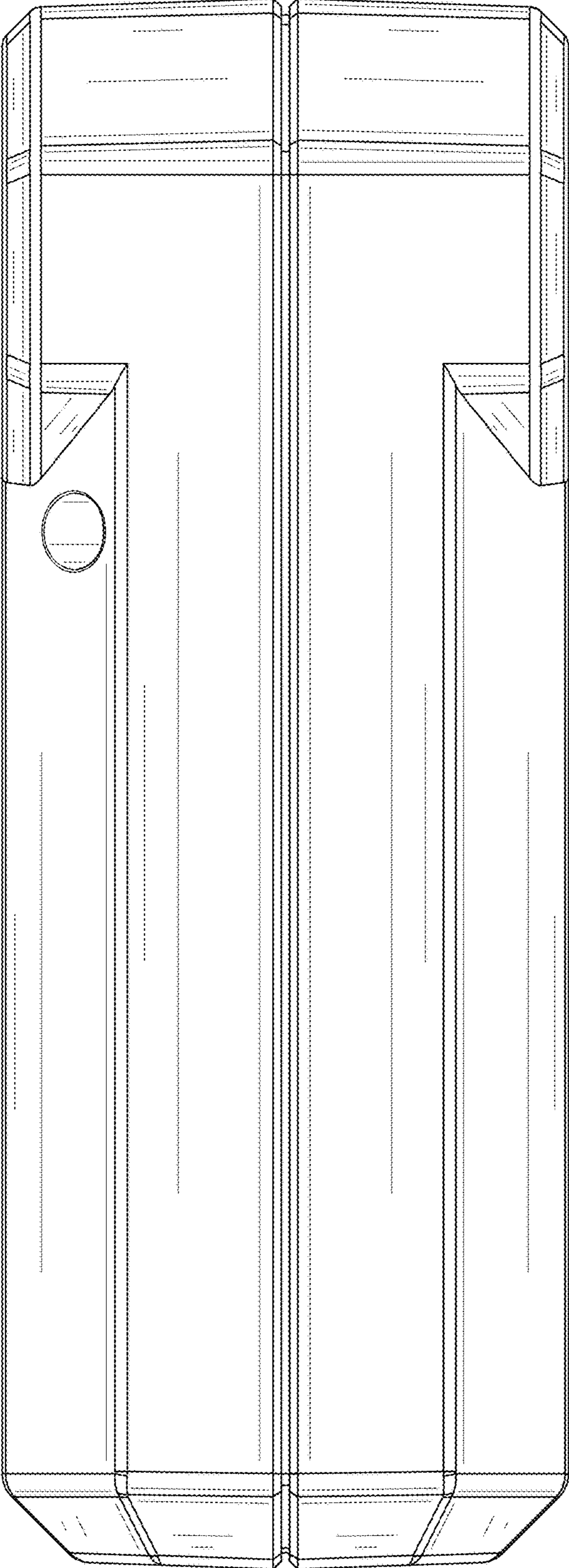


FIG. 7