



US00D819707S

(12) **United States Design Patent** (10) **Patent No.:** **US D819,707 S**
Ulmefors et al. (45) **Date of Patent:** **** Jun. 5, 2018**

(54) **PART OF CONSTRUCTION MACHINE**

(71) Applicant: **Volvo Construction Equipment AB**,
Eskilstuna (SE)

(72) Inventors: **Andreas Ulmefors**, Göteborg (SE);
Erik Eliasson, Göteborg (SE); **Fredrik
Bolinder**, Hisings Backa (SE); **Chris
Hillman**, Västra Frölunda (SE)

(73) Assignee: **VOLVO CONSTRUCTION
EQUIPMENT AB**, Eskilstuna (SE)

(**) Term: **15 Years**

(21) Appl. No.: **29/610,404**

(22) Filed: **Jul. 12, 2017**

(30) **Foreign Application Priority Data**

Mar. 3, 2017 (EM) 003781426-0003

Mar. 3, 2017 (EM) 003782531-0001

(51) **LOC (11) Cl.** **15-03**

(52) **U.S. Cl.**
USPC **D15/28**

(58) **Field of Classification Search**
USPC D15/10, 22-26, 33, 28, 31; D21/431;
37/403, 409, 442, 443; 180/89.1, 89.12,
180/89.13; 296/190.03; 414/685, 694,
414/722, 724
CPC E02F 9/0841; E02F 3/3411; E02F 3/76;
E02F 3/34; E02F 3/00; E02F 7/00; B62D
21/186; B62D 53/028
See application file for complete search history.

(56) **References Cited**

U.S. PATENT DOCUMENTS

D326,858 S * 6/1992 Skeel D15/25
D364,408 S * 11/1995 Bryant D15/25
D405,807 S * 2/1999 Amy D15/25

D410,930 S * 6/1999 Kim D15/25
6,609,587 B1 * 8/2003 Smith B62D 21/186
180/418
D500,056 S * 12/2004 DeYoung D15/31
D549,738 S * 8/2007 Hiraoka D15/25
D590,846 S * 4/2009 Kinsinger D15/22
D624,567 S * 9/2010 Kelley D15/30
D626,153 S * 10/2010 Gavin D15/31
D632,313 S * 2/2011 Kelley D15/30
D633,927 S * 3/2011 Kelley D15/30

(Continued)

OTHER PUBLICATIONS

Images of Volvo Construction Equipment Excavator Model
EC950E, disclosed at Bauma Trade Fair, Munich, Germany, Apr.
11-17, 2016.

(Continued)

Primary Examiner — Mark Goodwin

(74) *Attorney, Agent, or Firm* — Tucker Ellis LLP

(57) **CLAIM**

The ornamental design for a part of construction machine, as
shown and described.

DESCRIPTION

The file of this patent contains at least one drawing/photo-
graph executed in color. Copies of this patent with color
drawing(s)/photograph(s) will be provided by the Office
upon request and payment of the necessary fee.

FIG. 1 is a left-rear perspective view of a part of construction
machine showing our new design.

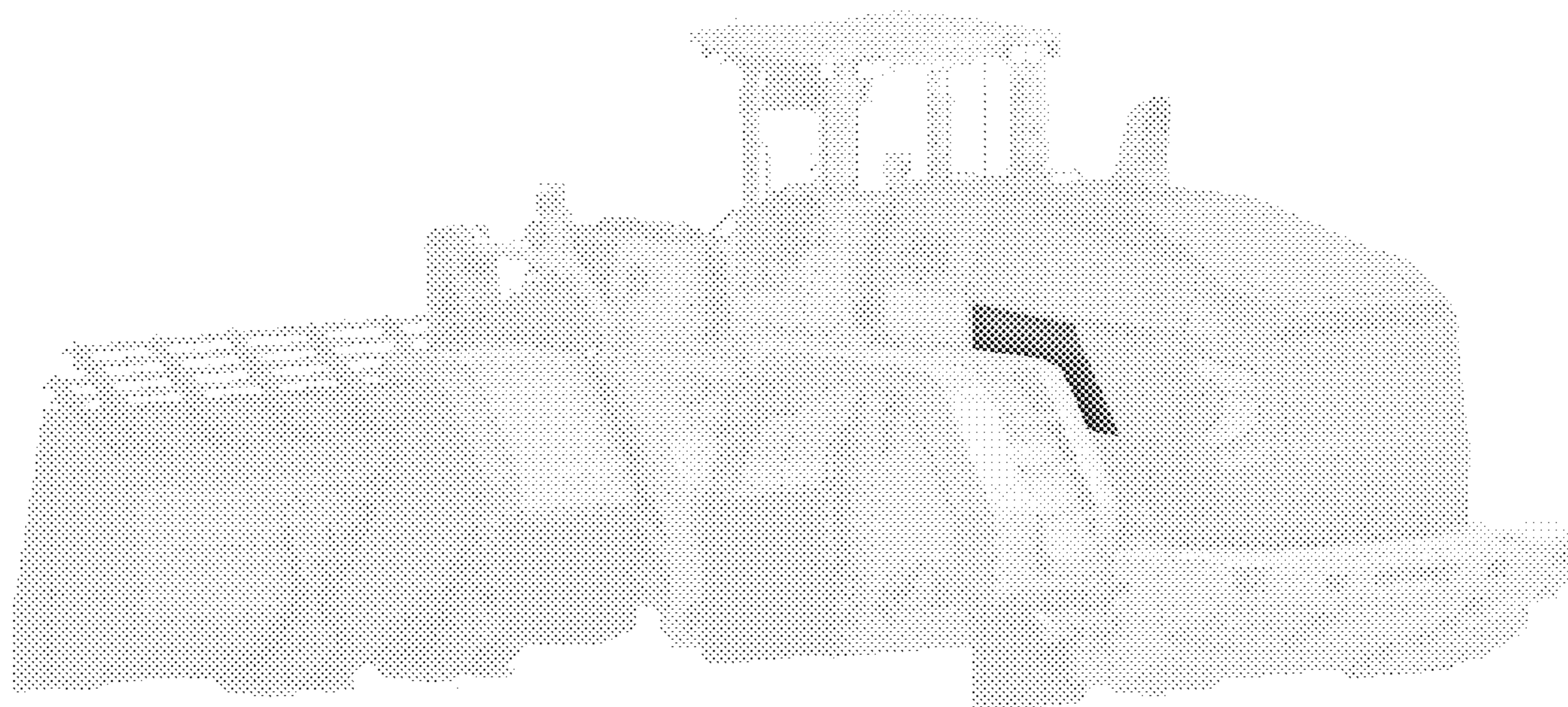
FIG. 2 is a right-rear perspective view thereof.

FIG. 3 is a left side view thereof; and,

FIG. 4 is a right side view thereof.

The de-emphasized portions shown in the drawings illustrate
portions of the construction machine that form no part of the
claimed design.

1 Claim, 4 Drawing Sheets
(4 of 4 Drawing Sheet(s) Filed in Color)



(56)

References Cited

U.S. PATENT DOCUMENTS

D652,061 S * 1/2012 Hiraoka D15/23
D652,062 S * 1/2012 Hiraoka D15/23
D693,853 S * 11/2013 Hiraoka D15/23
D704,751 S * 5/2014 Furuki D15/28
D708,232 S * 7/2014 Furuki D15/23
D708,233 S * 7/2014 Furuki D15/28
8,857,547 B1 * 10/2014 Shiina E02F 9/0866
180/68.3
D739,445 S * 9/2015 Turner D15/31
D757,826 S * 5/2016 Hartz D15/31
D758,457 S * 6/2016 Okuyama D15/23
D762,740 S * 8/2016 Okuyama D15/28
2014/0219761 A1 * 8/2014 Moriguchi F16H 57/045
414/685
2015/0275480 A1 * 10/2015 Iwamoto E02F 9/0866
180/291
2015/0361636 A1 * 12/2015 Yoshizawa B60K 6/445
701/50

OTHER PUBLICATIONS

Images of Volvo Construction Equipment Excavator Model EC750E, disclosed to public May 2016.

* cited by examiner

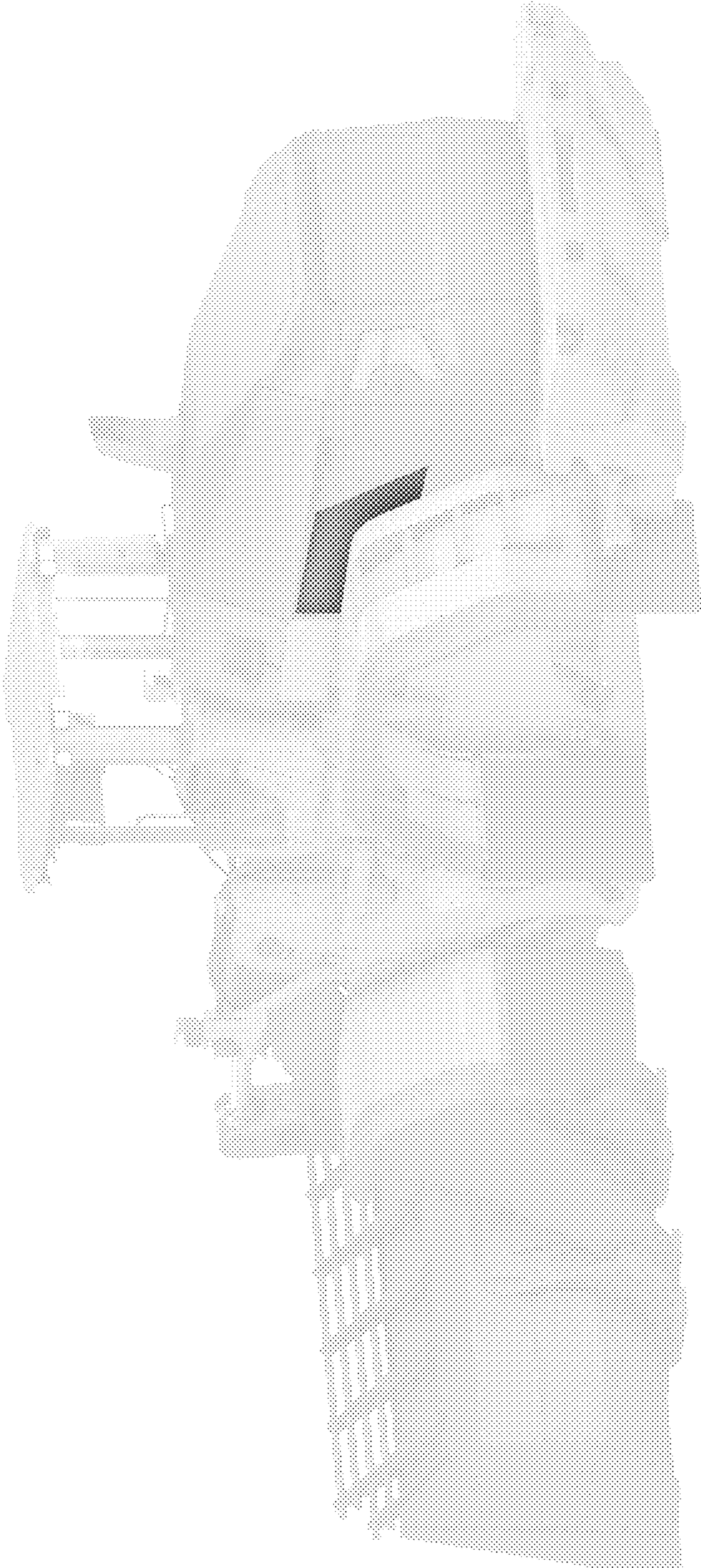


FIG. 1

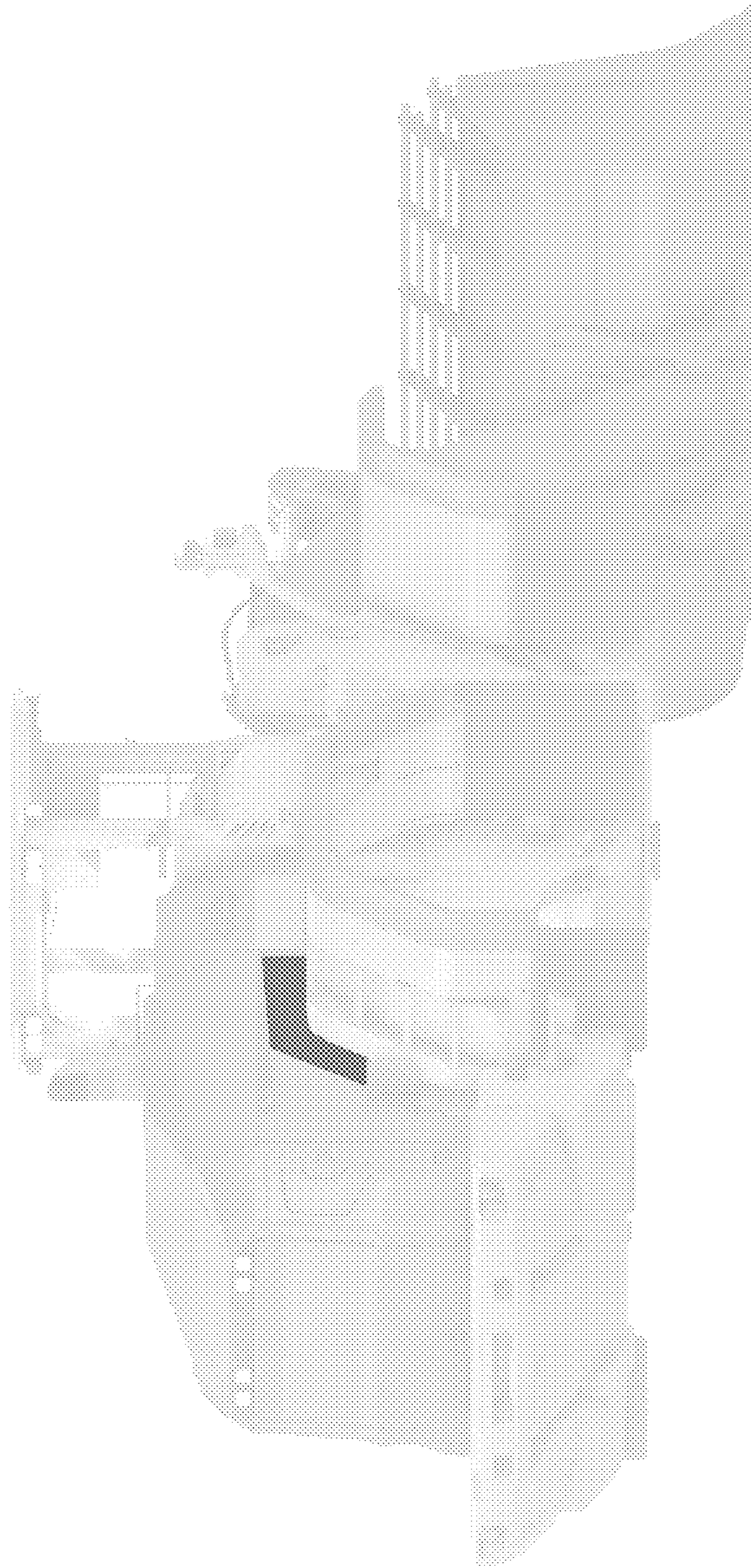


FIG. 2

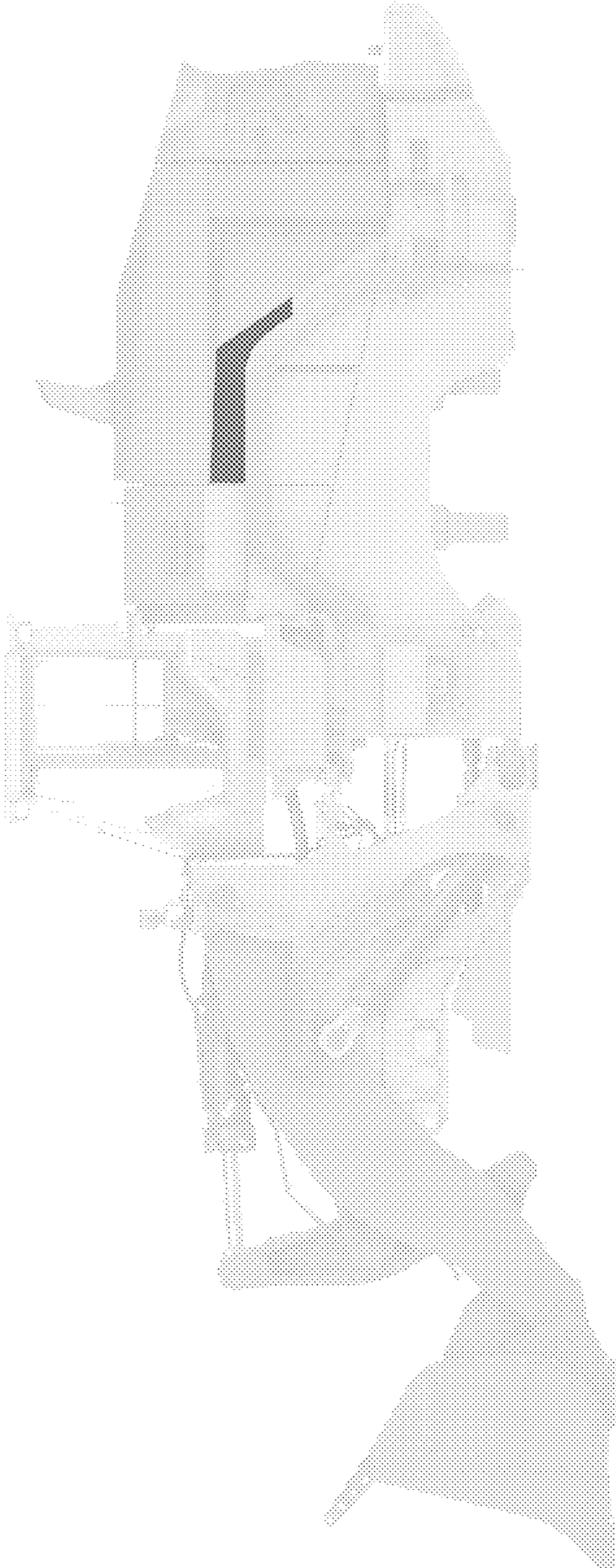


FIG. 3

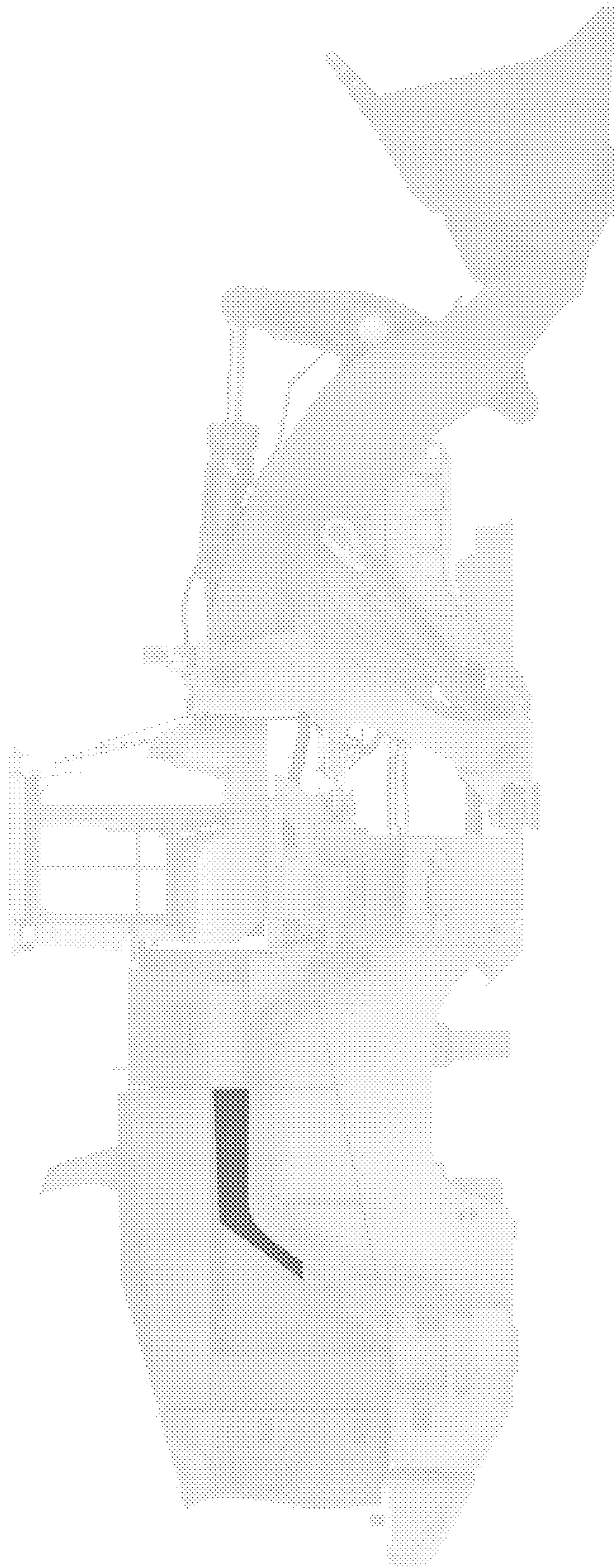


FIG. 4