



US00D819706S

(12) **United States Design Patent**  
**Diebold et al.**

(10) **Patent No.:** **US D819,706 S**  
(45) **Date of Patent:** **\*\* Jun. 5, 2018**

- (54) **OPERATOR STATION VENTILATION POD**
- (71) Applicant: **Deere & Company**, Moline, IL (US)
- (72) Inventors: **Elizabeth A. Diebold**, Dubuque, IA (US); **Daniel R. Klein**, Peosta, IA (US); **Amy Wessel**, Edgewood, IA (US); **Thomas Ward**, Ventura, CA (US)
- (73) Assignee: **DEERE & COMPANY**, Moline, IL (US)
- (\*\*) Term: **15 Years**
- (21) Appl. No.: **29/605,178**
- (22) Filed: **May 24, 2017**
- (51) **LOC (11) Cl.** ..... **15-03**
- (52) **U.S. Cl.**  
USPC ..... **D15/28; D15/17**
- (58) **Field of Classification Search**  
USPC ..... D15/17, 28, 14, 15, 22-26, 31, 33;  
D12/192; 180/69.24, 69.2, 69.21, 90,  
180/89.12, 900; 296/70, 30, 72, 191,  
296/192, 193.03  
CPC ..... B62D 49/00; B60K 37/00; B60K 37/02;  
B60K 37/04; B60K 2350/928; B60Y  
2200/22  
See application file for complete search history.

(56) **References Cited**

**U.S. PATENT DOCUMENTS**

- 4,126,202 A \* 11/1978 Hern ..... B60K 35/00  
180/89.12
- D256,018 S \* 7/1980 Stone ..... D12/192
- 4,447,860 A \* 5/1984 Stone ..... B62D 33/0617  
180/90
- D326,662 S \* 6/1992 Holm ..... D15/17
- D365,574 S \* 12/1995 Westimayer ..... D15/17
- D427,613 S \* 7/2000 Altmann ..... D15/28

- D459,734 S \* 7/2002 Hohnl ..... D15/28
- 6,499,550 B2 \* 12/2002 Matsuda ..... B60K 37/00  
180/90
- D471,564 S \* 3/2003 Hohnl ..... D15/28
- D549,739 S \* 8/2007 Stephens ..... D15/28
- D584,321 S \* 1/2009 Matsumoto ..... D15/17
- D594,885 S \* 6/2009 Kuwae ..... D15/17
- D652,063 S \* 1/2012 Takeuchi ..... D15/28
- D652,433 S \* 1/2012 Takeuchi ..... D15/28
- D685,006 S \* 6/2013 Hagura ..... D15/17
- 8,474,562 B2 \* 7/2013 Elhardt ..... B60K 37/00  
180/89.12
- D692,466 S \* 10/2013 Takagi ..... D15/17
- D707,722 S \* 6/2014 Higashikawa ..... D15/15
- D718,343 S \* 11/2014 Carter ..... D15/28
- D754,211 S \* 4/2016 Moore ..... D15/28
- 2002/0043414 A1 \* 4/2002 Matsuda ..... B60K 37/00  
180/90
- 2009/0236876 A1 \* 9/2009 Sawai ..... B62D 25/10  
296/193.11

(Continued)

*Primary Examiner* — Mark Goodwin

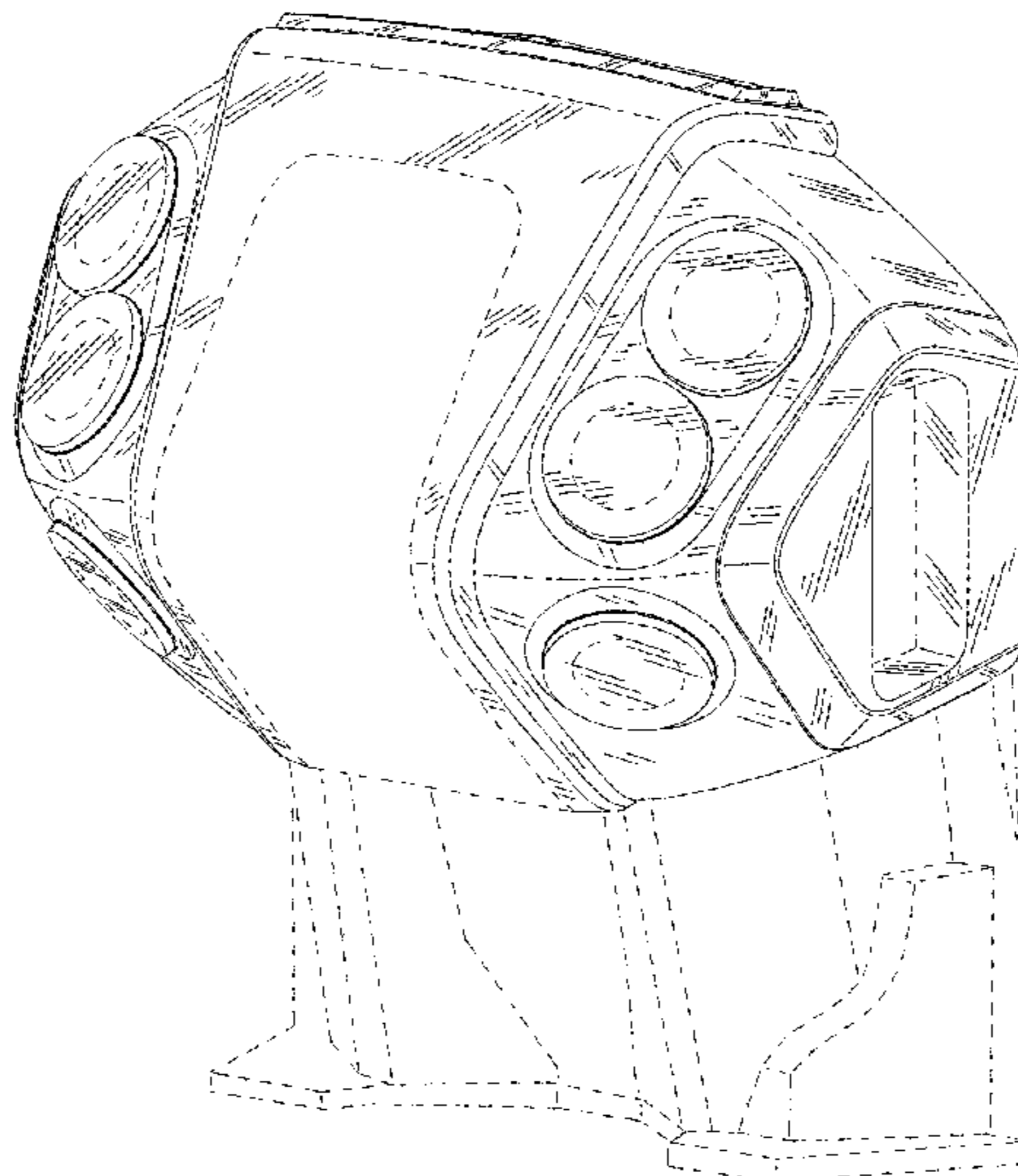
(57) **CLAIM**

The ornamental design for an operator station ventilation pod, as shown and described.

**DESCRIPTION**

FIG. 1 is a perspective view of an operator station ventilation pod showing our new design.  
 FIG. 2 is a left side view thereof.  
 FIG. 3 is a right side view thereof.  
 FIG. 4 is a front view thereof.  
 FIG. 5 is a rear view thereof.  
 FIG. 6 is a top view thereof; and,  
 FIG. 7 is a bottom view thereof.  
 The broken line representations of environmental structure in FIGS. 1-7 is for illustrative purposes only and forms no part of the claimed design.

**1 Claim, 7 Drawing Sheets**



(56)

**References Cited**

U.S. PATENT DOCUMENTS

2013/0062904 A1\* 3/2013 Elhardt ..... B60K 37/00  
296/70

\* cited by examiner

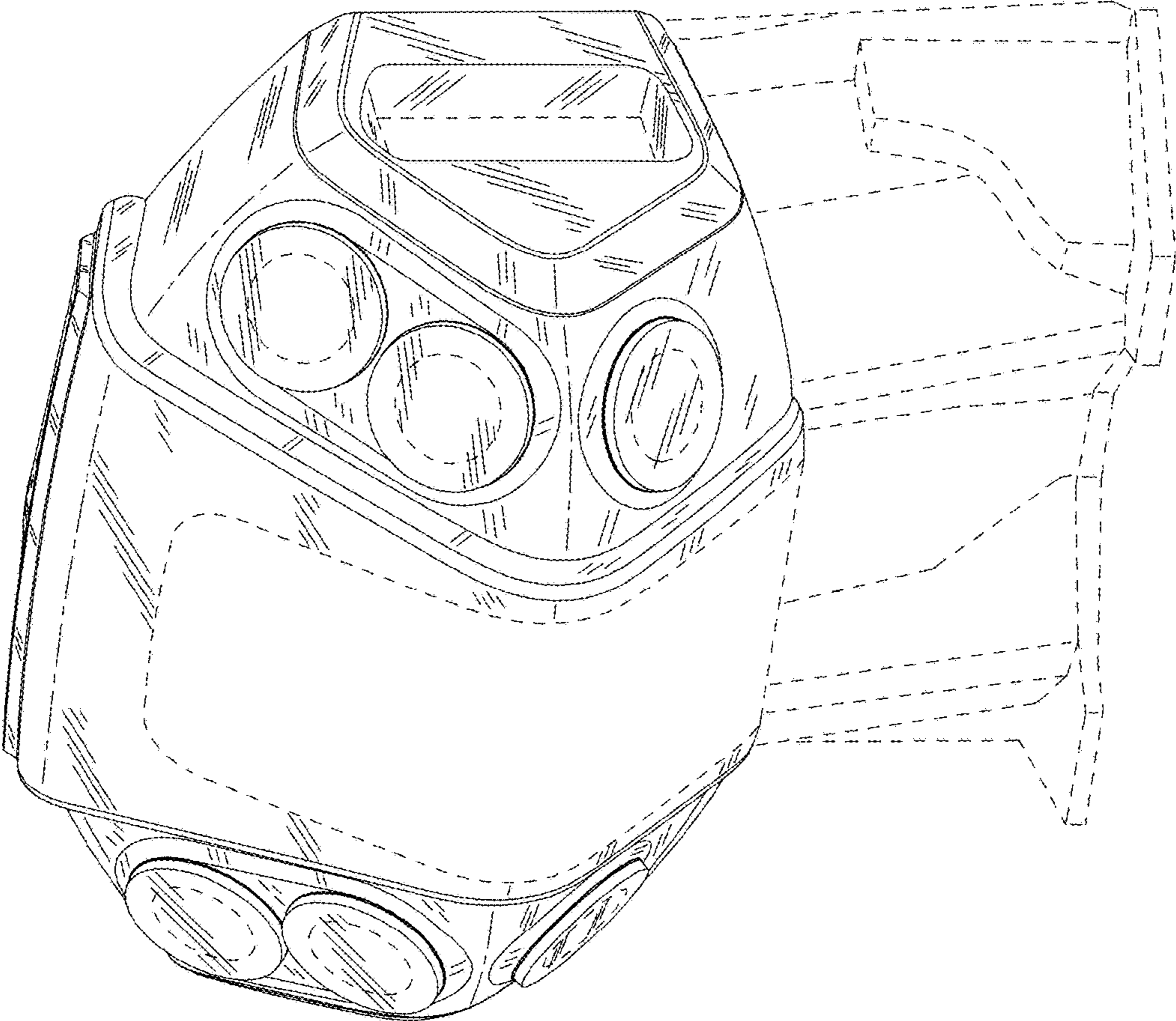


FIG. 1

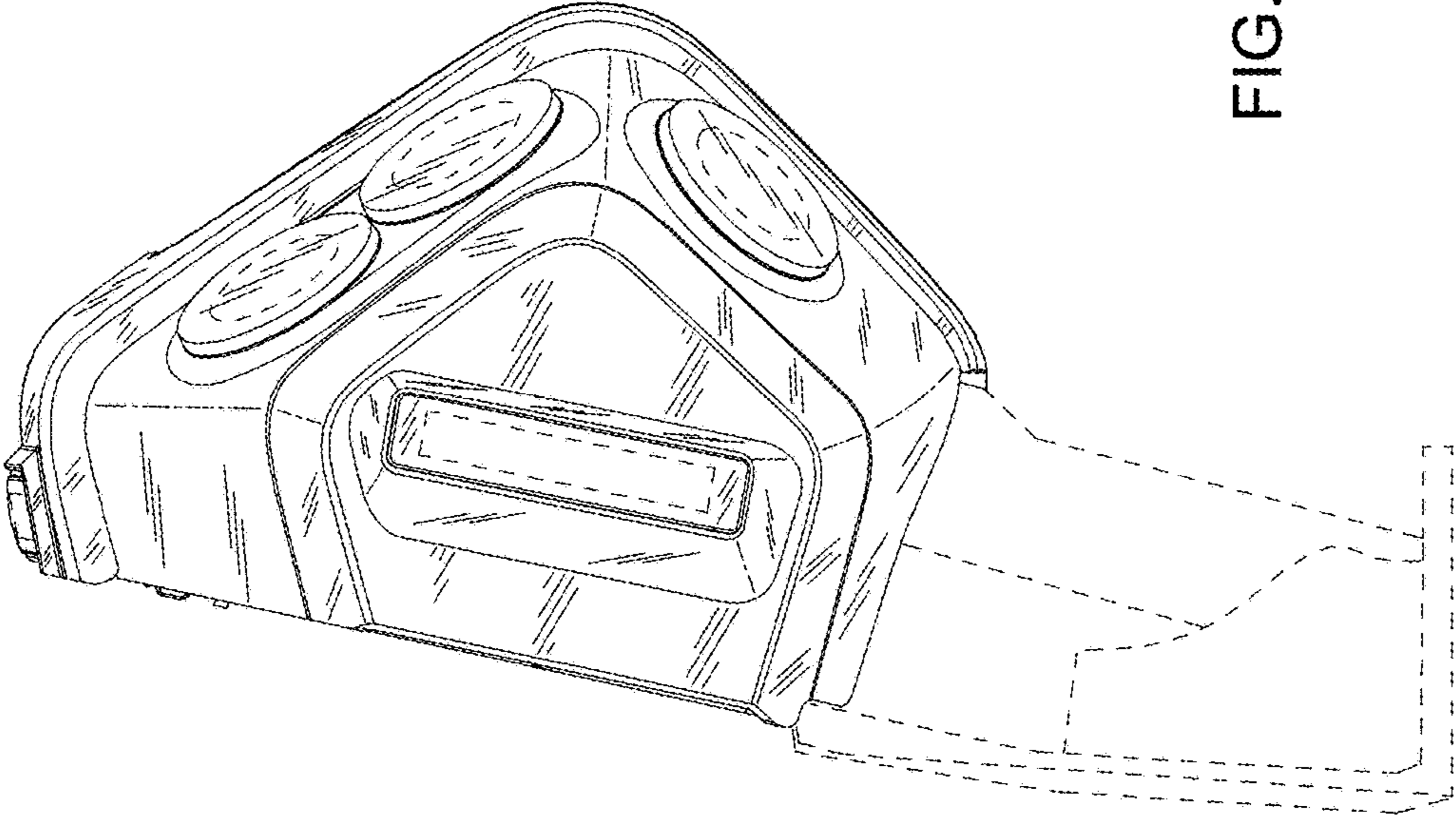


FIG. 2

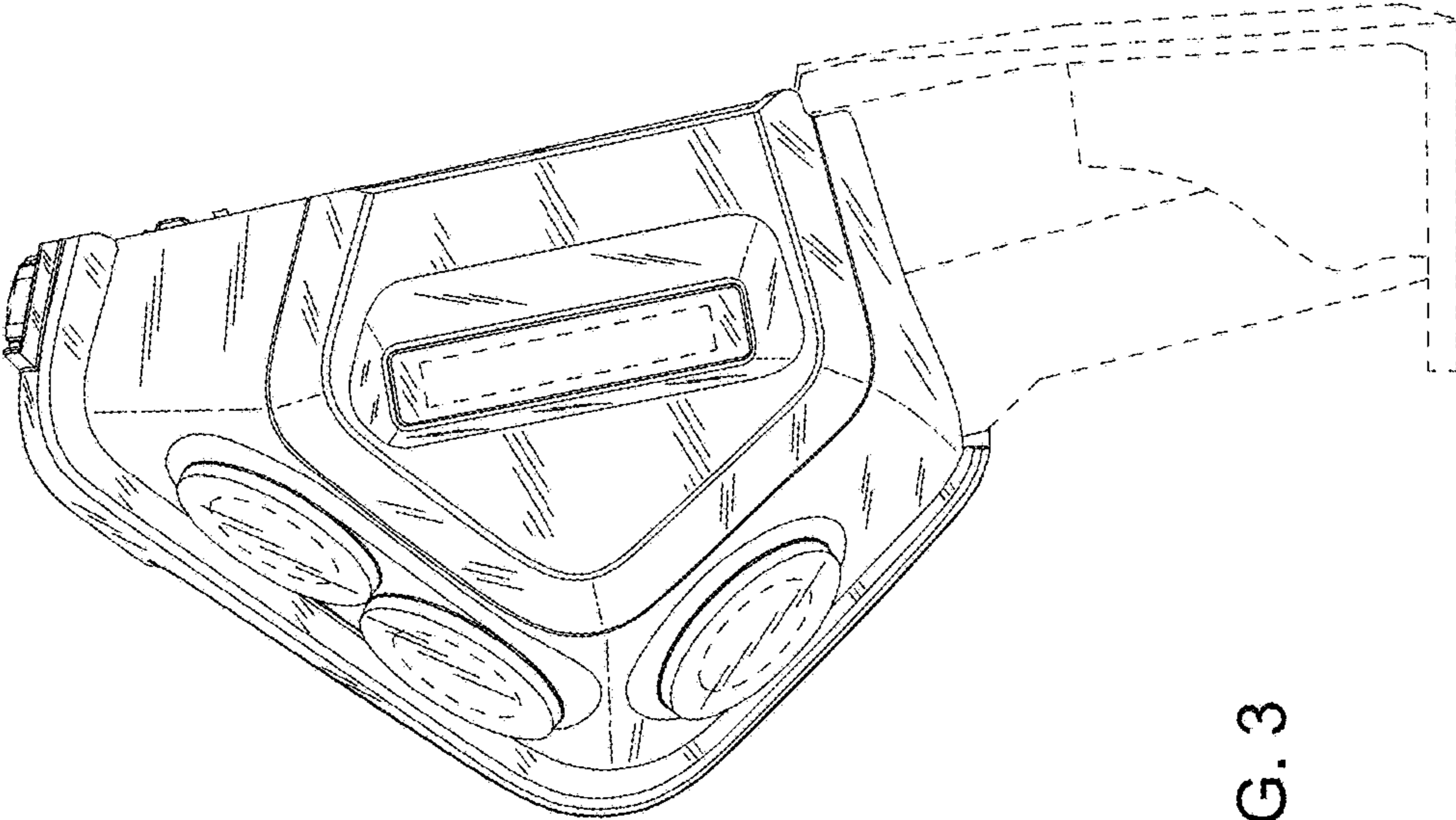


FIG. 3

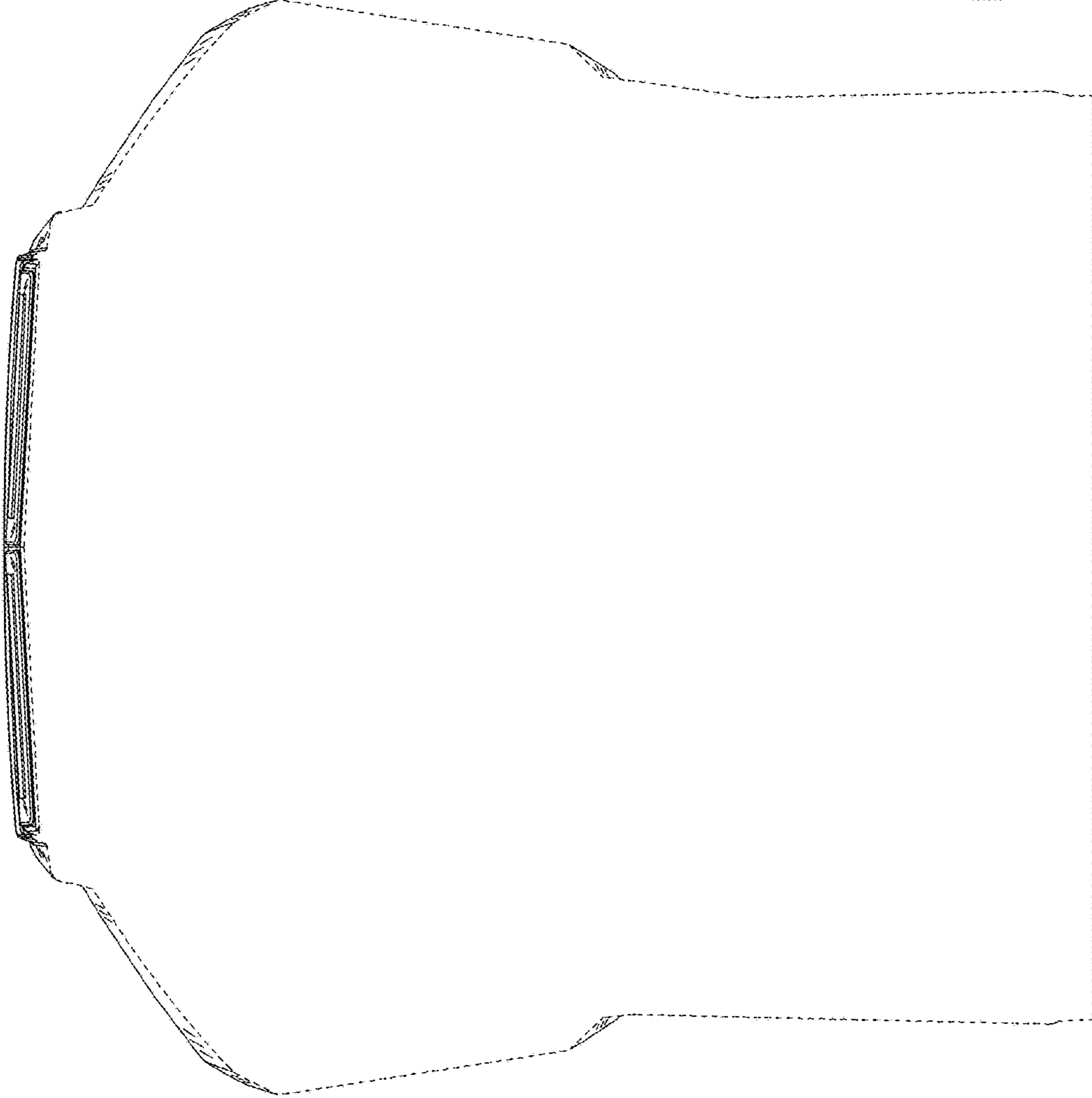


FIG. 4

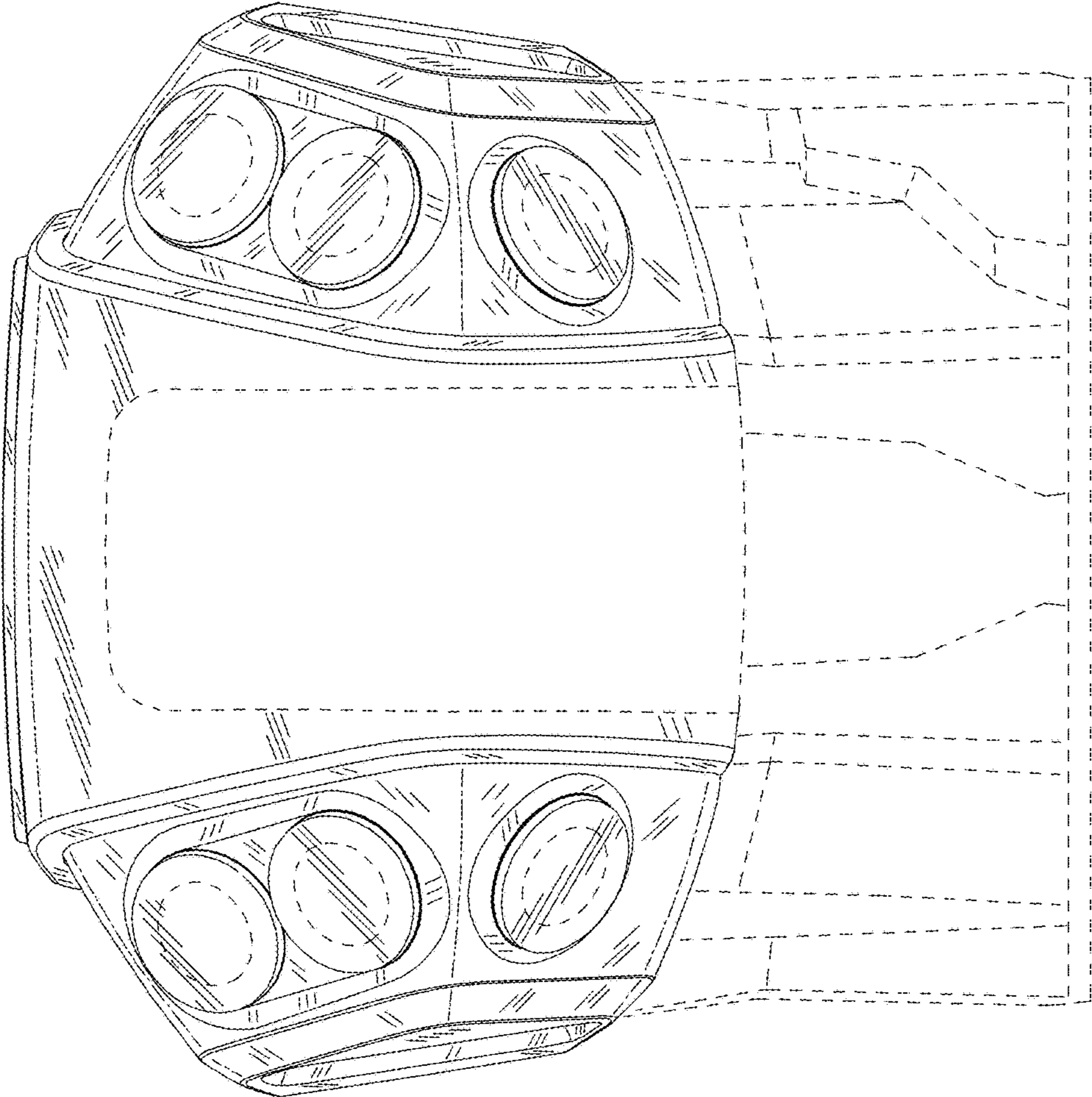


FIG. 5

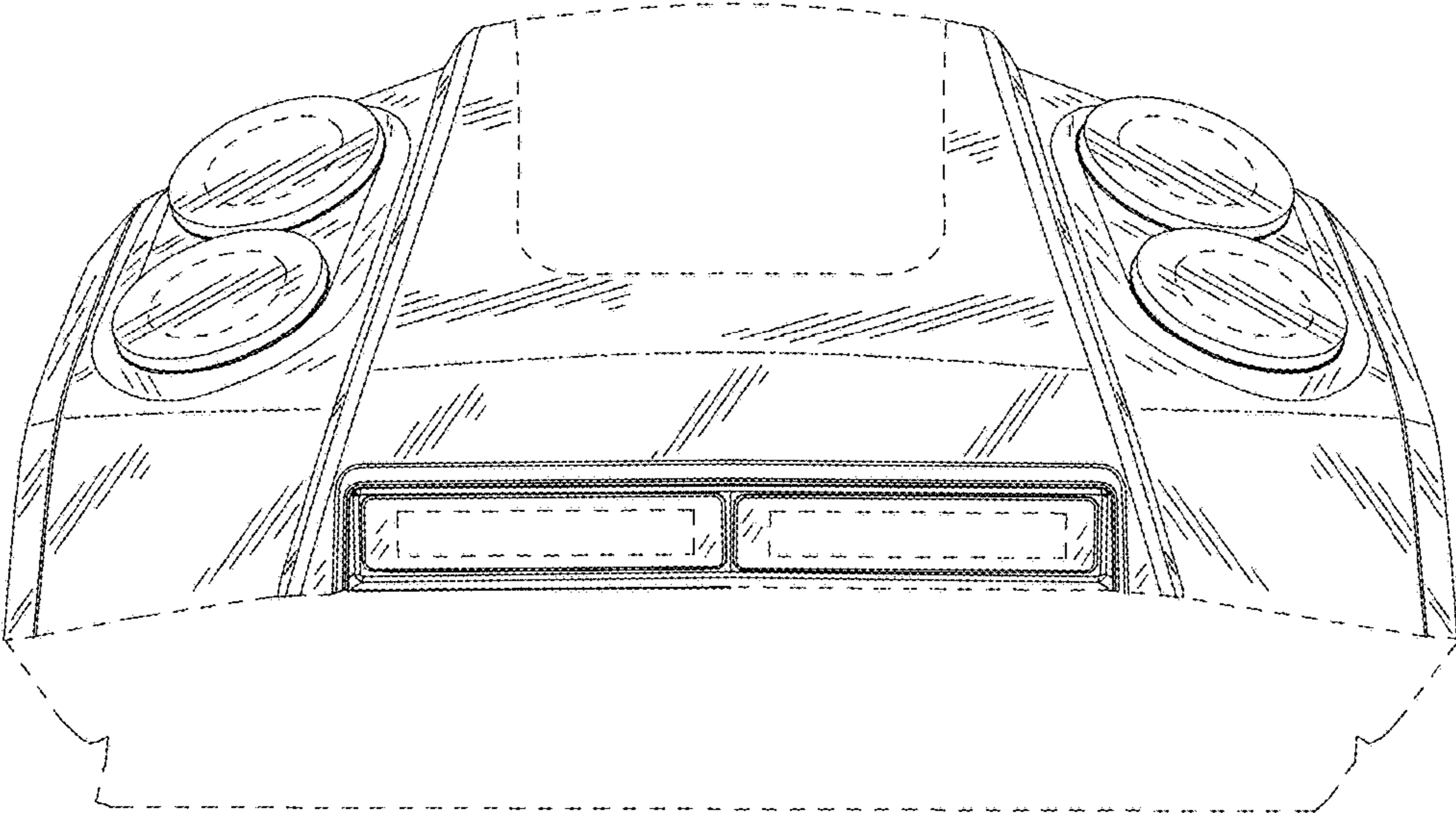


FIG. 6



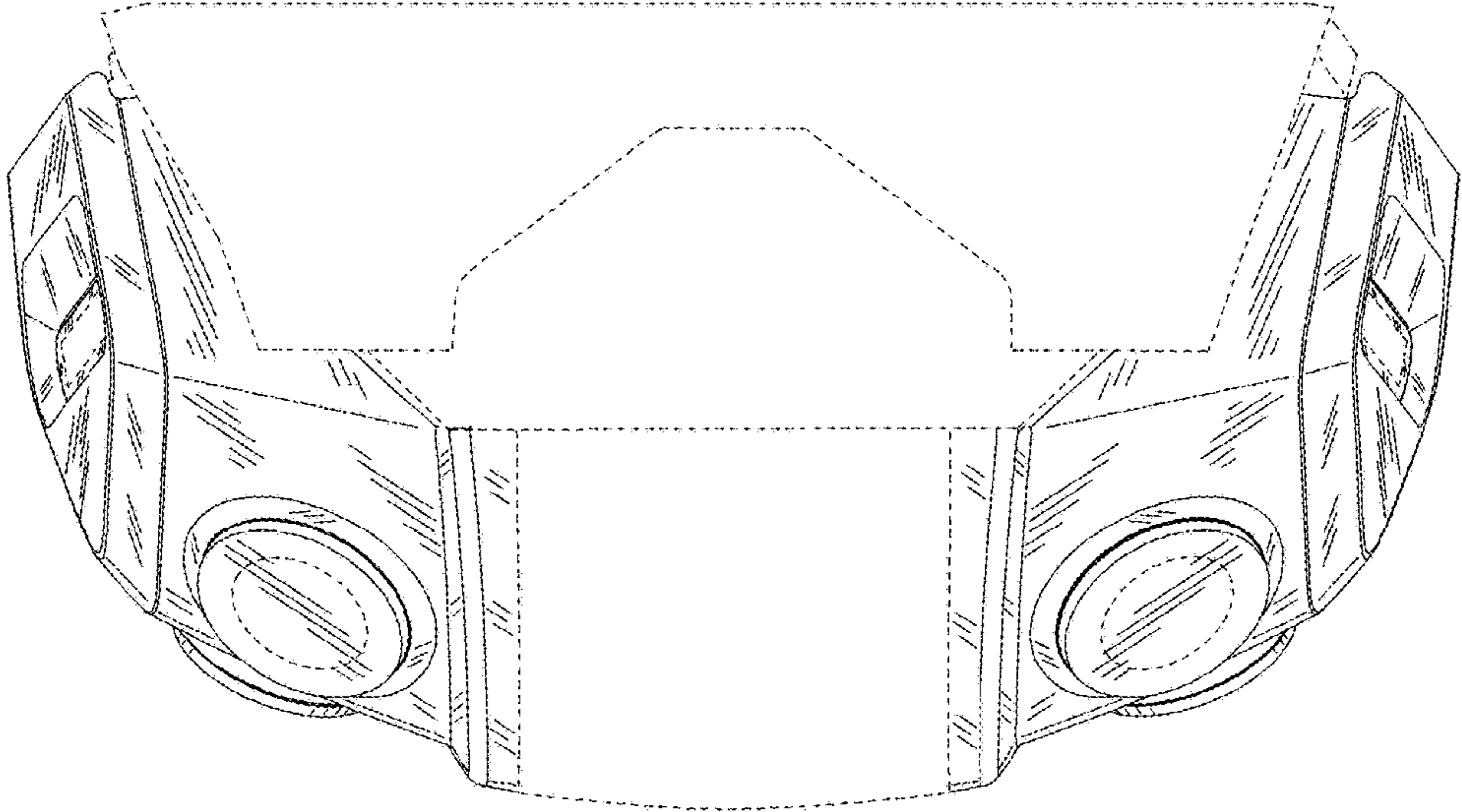


FIG. 7