



US00D819704S

(12) **United States Design Patent**  
**Loew et al.**

(10) **Patent No.:** **US D819,704 S**  
(45) **Date of Patent:** **\*\* Jun. 5, 2018**

(54) **REAR PART OF SINGLE DRUM ROLLER**

(71) Applicant: **BOMAG GmbH**, Boppard (DE)

(72) Inventors: **Roland Loew**, Klein-Winternheim (DE); **Stephan Jakobs**, Gondershausen (DE); **Thomas Haubrich**, Goedenroth (DE); **Thomas Klein**, Wehr (DE)

(73) Assignee: **BOMAG GmbH**, Boppard (DE)

(\*\*) Term: **15 Years**

(21) Appl. No.: **29/612,592**

(22) Filed: **Aug. 2, 2017**

**Related U.S. Application Data**

(62) Division of application No. 29/578,408, filed on Sep. 21, 2016, now Pat. No. Des. 800,793.

(30) **Foreign Application Priority Data**

Mar. 23, 2016 (EM) ..... 003040542-0004  
Mar. 23, 2016 (EM) ..... 003040542-0008

(51) **LOC (11) Cl.** ..... **15-03**

(52) **U.S. Cl.**  
USPC ..... **D15/20**

(58) **Field of Classification Search**

USPC ..... D15/10, 20, 22-26, 28, 30, 33; 180/20, 180/89.12; 280/104, 124.11; 404/122, 404/132, 125, 90  
CPC ..... E02D 3/026; E02D 3/00; E02D 3/074; B30B 15/00; E01C 19/27; E01C 19/41; E01C 19/22; E01C 19/38; E01C 19/286; E01C 19/4853; E01C 19/238  
See application file for complete search history.

(56) **References Cited**

**U.S. PATENT DOCUMENTS**

D396,431 S 7/1998 Lindgren et al.  
D500,329 S 12/2004 Bauve et al.

D516,094 S 2/2006 Dotsch et al.  
D611,505 S 3/2010 Loew et al.  
D611,506 S 3/2010 Loew et al.  
D668,269 S 10/2012 Tezuka et al.  
D668,694 S 10/2012 Tezuka et al.  
D676,463 S 2/2013 Ewringmann et al.  
D676,466 S 2/2013 Ewringmann et al.  
D694,278 S 11/2013 Ewringmann  
D694,279 S 11/2013 Ewringmann

(Continued)

*Primary Examiner* — Mark Goodwin

(74) *Attorney, Agent, or Firm* — Wood Herron & Evans LLP

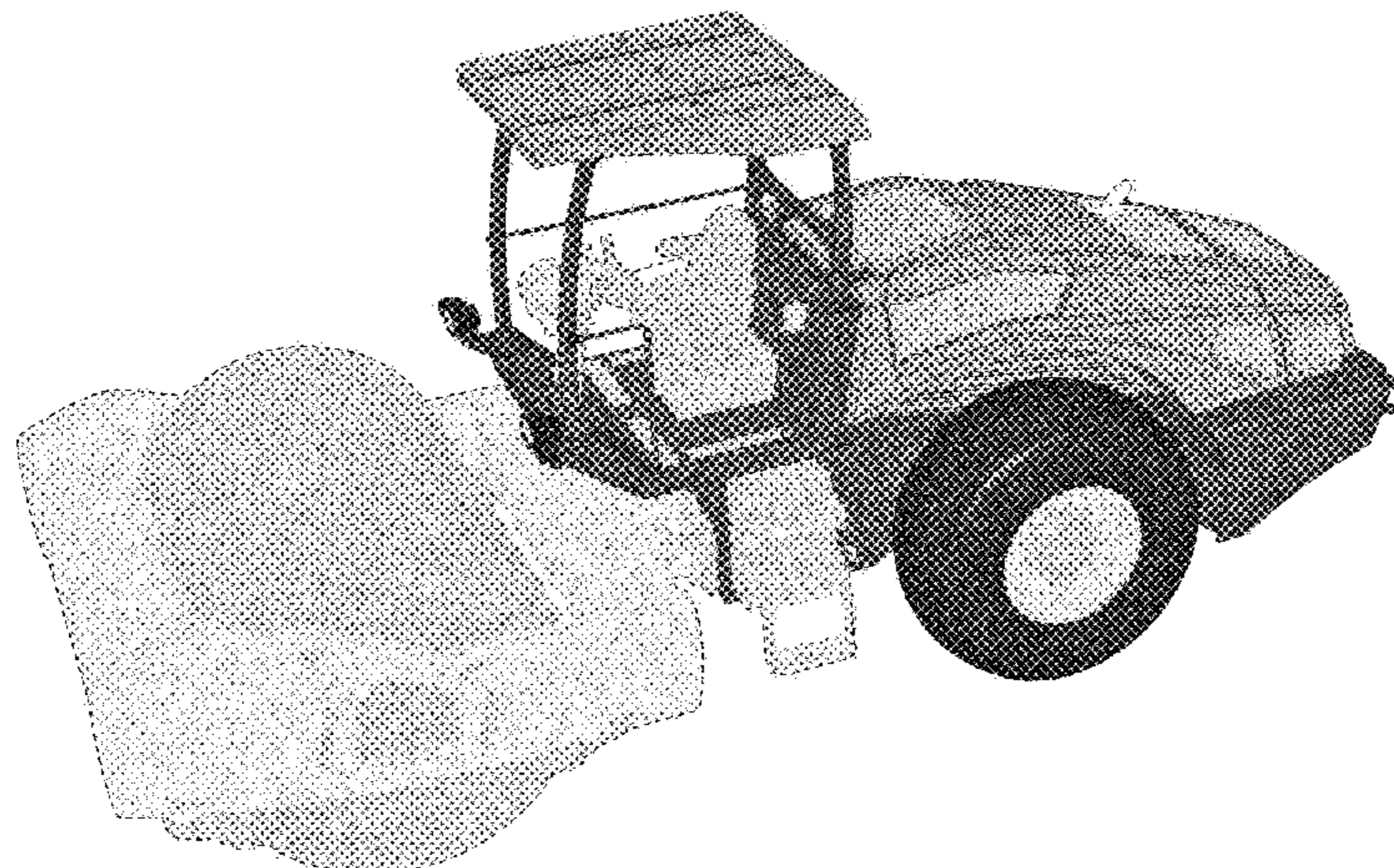
(57) **CLAIM**

The ornamental design for a rear part of single drum roller, as shown and described.

**DESCRIPTION**

FIG. 1 is a front right perspective view of a rear part of single drum roller showing our new design; FIG. 2 is a rear right perspective view of the invention of FIG. 1; FIG. 3 is a rear left perspective view of the invention of FIG. 1; FIG. 4 is a front left perspective view of the invention of FIG. 1; FIG. 5 is a right side elevation view of the invention of FIG. 1; FIG. 6 is a left side elevation view of the invention of FIG. 1; FIG. 7 is a front elevation view of the invention of FIG. 1; FIG. 8 is a rear elevation view of the invention of FIG. 1; FIG. 9 is a top plan view of the invention of FIG. 1; and, FIG. 10 is a bottom plan view of the invention of FIG. 1. The broken dash lines comprise claim boundaries. Neither the portions inside of the broken dash lines nor the broken dash lines themselves forms any part of the claimed invention.

**1 Claim, 10 Drawing Sheets**



(56)

**References Cited**

U.S. PATENT DOCUMENTS

D699,764 S	2/2014	Loew et al.
D720,779 S	1/2015	Loew et al.
D744,543 S	12/2015	Loew et al.
D745,063 S	12/2015	Loew et al.
D749,142 S	2/2016	Erdmann et al.
D749,143 S	2/2016	Erdmann et al.
D765,735 S	9/2016	Roemer et al.

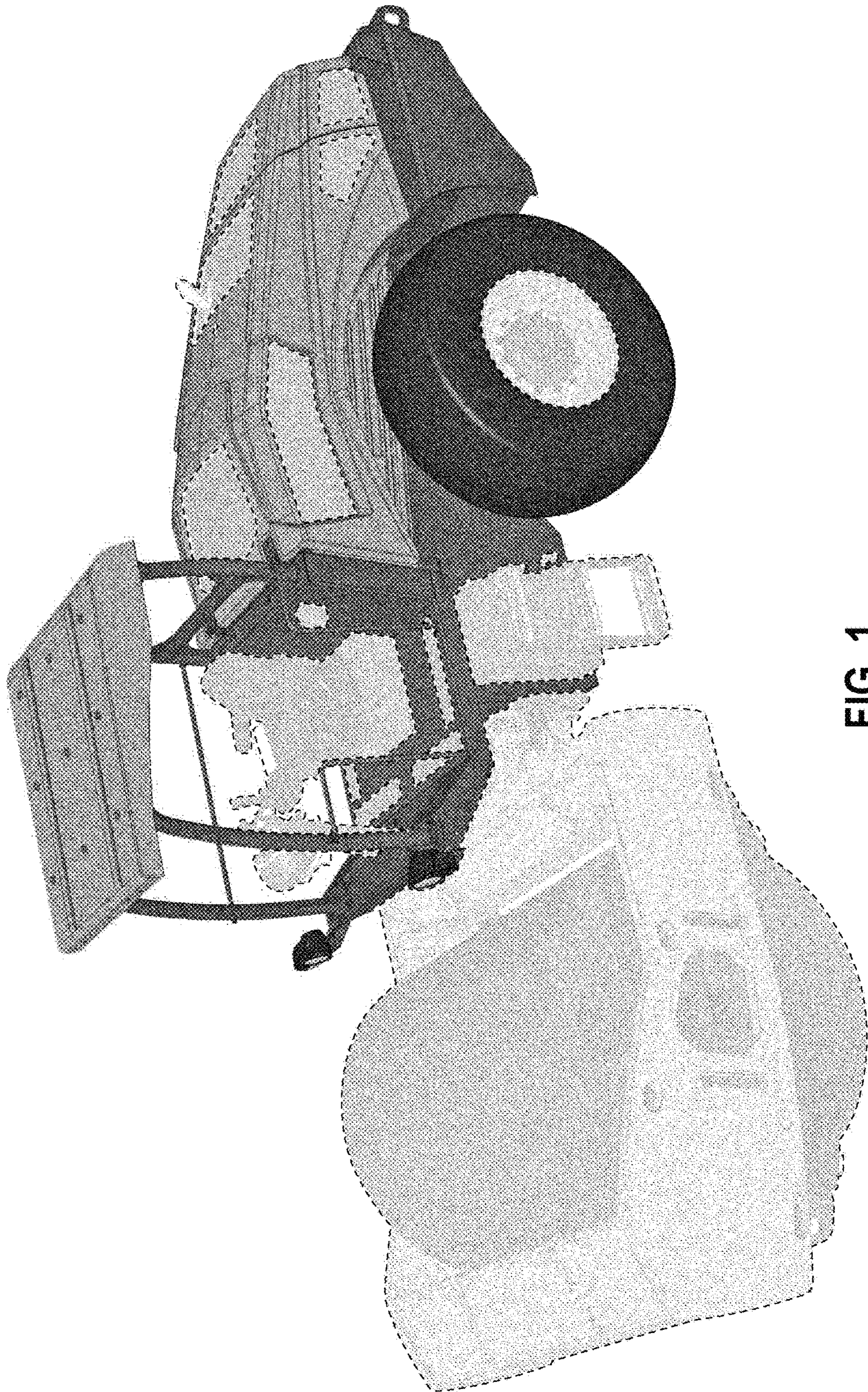


FIG. 1

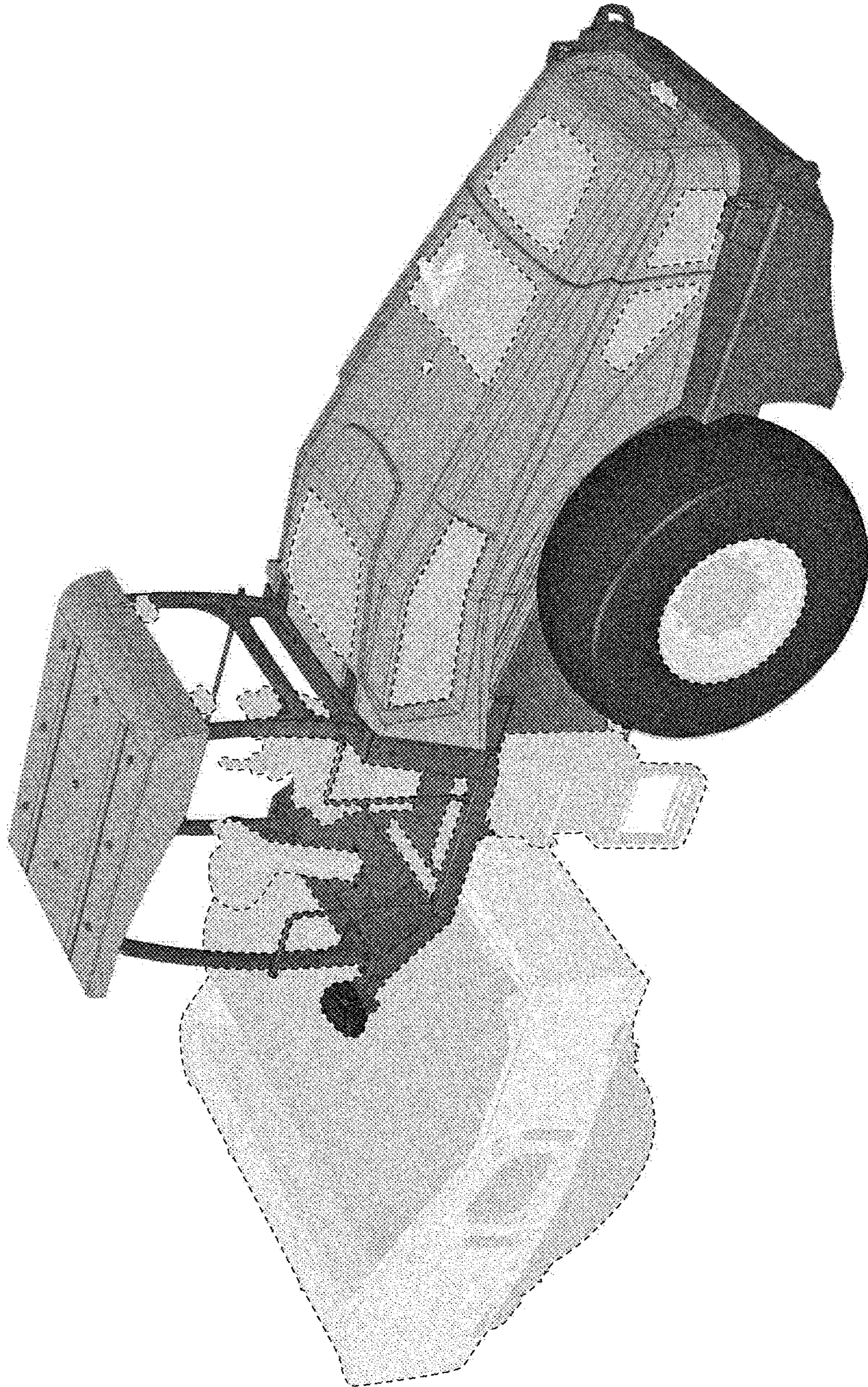


FIG. 2

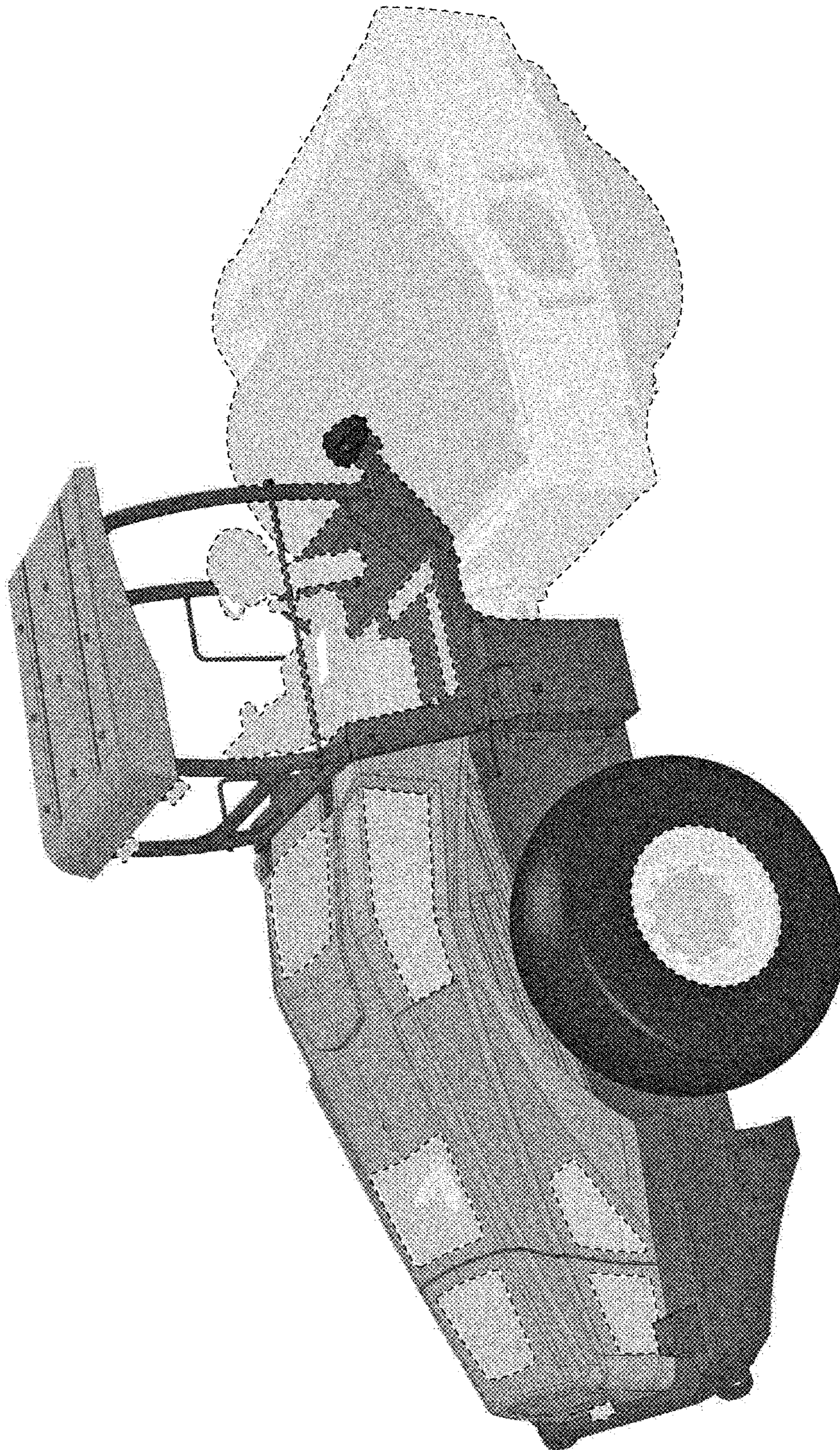


FIG. 3

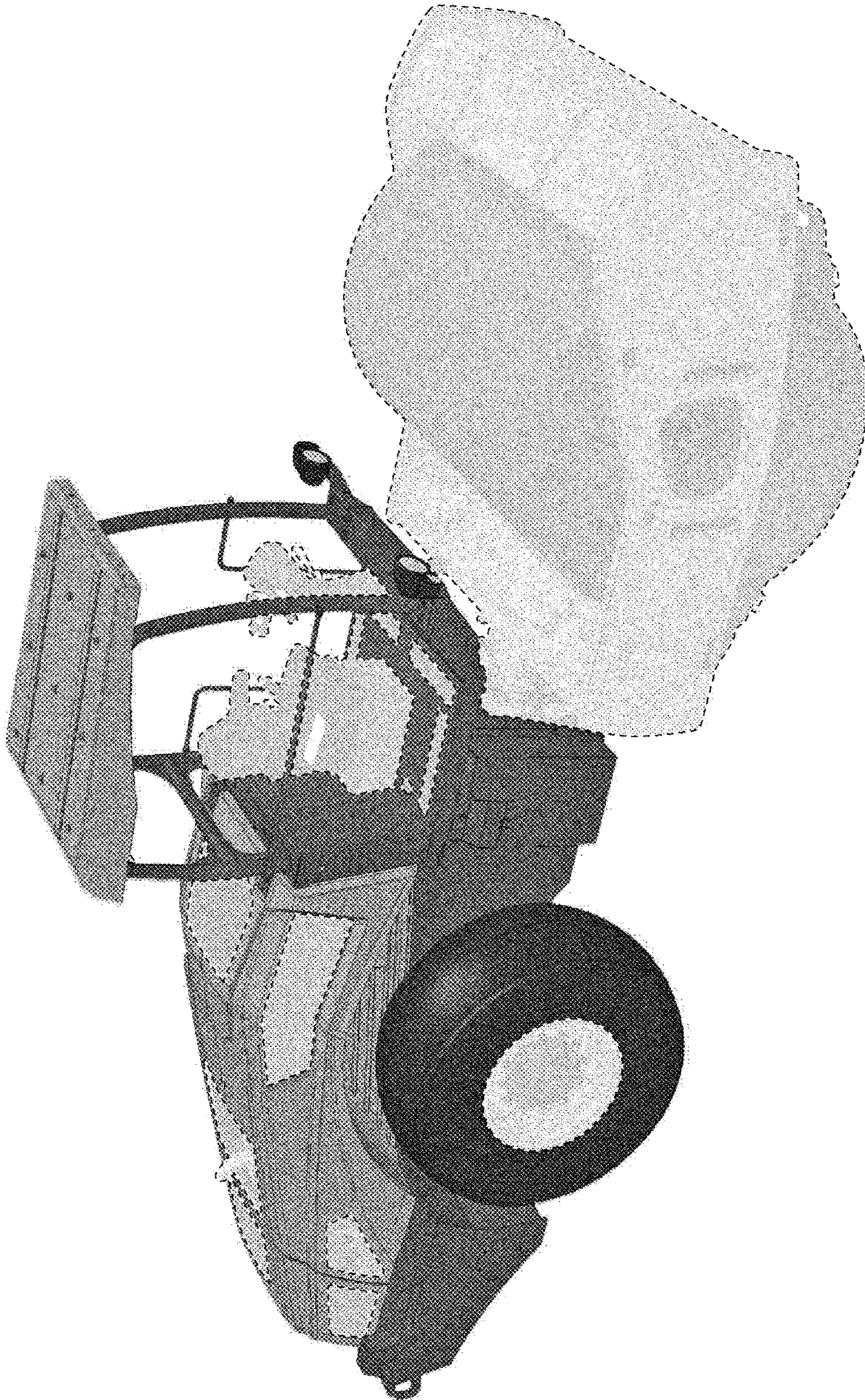


FIG. 4

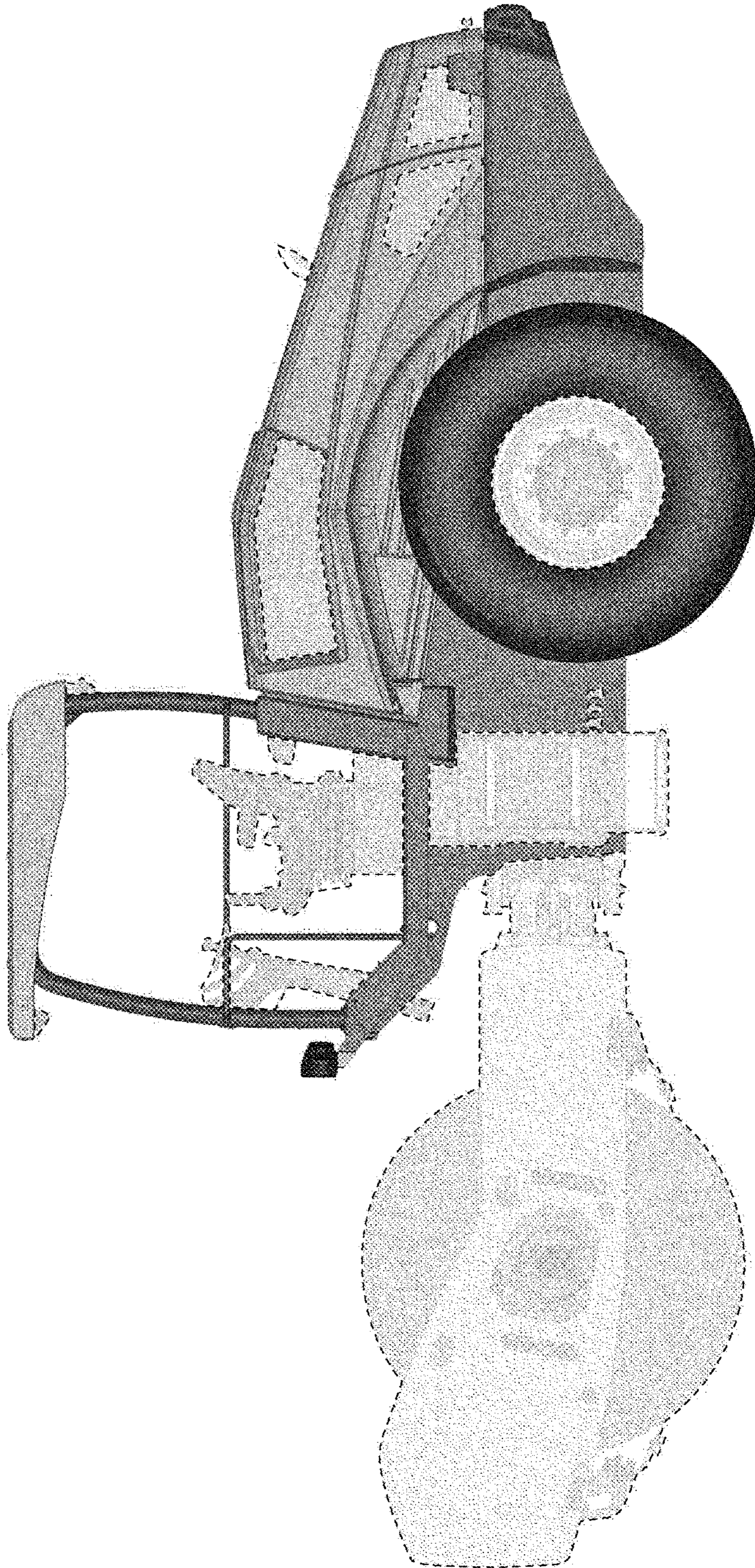


FIG. 5

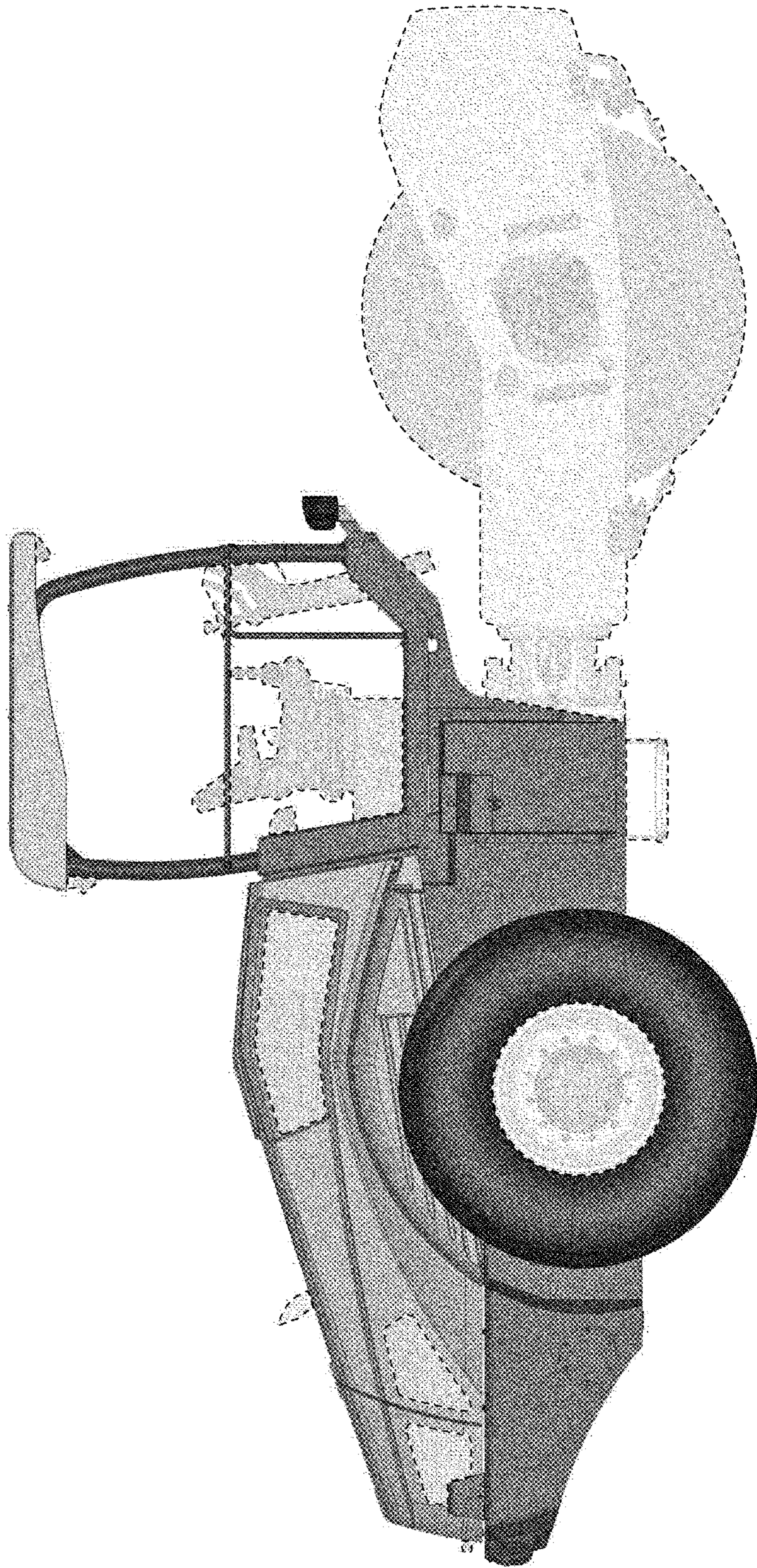


FIG. 6



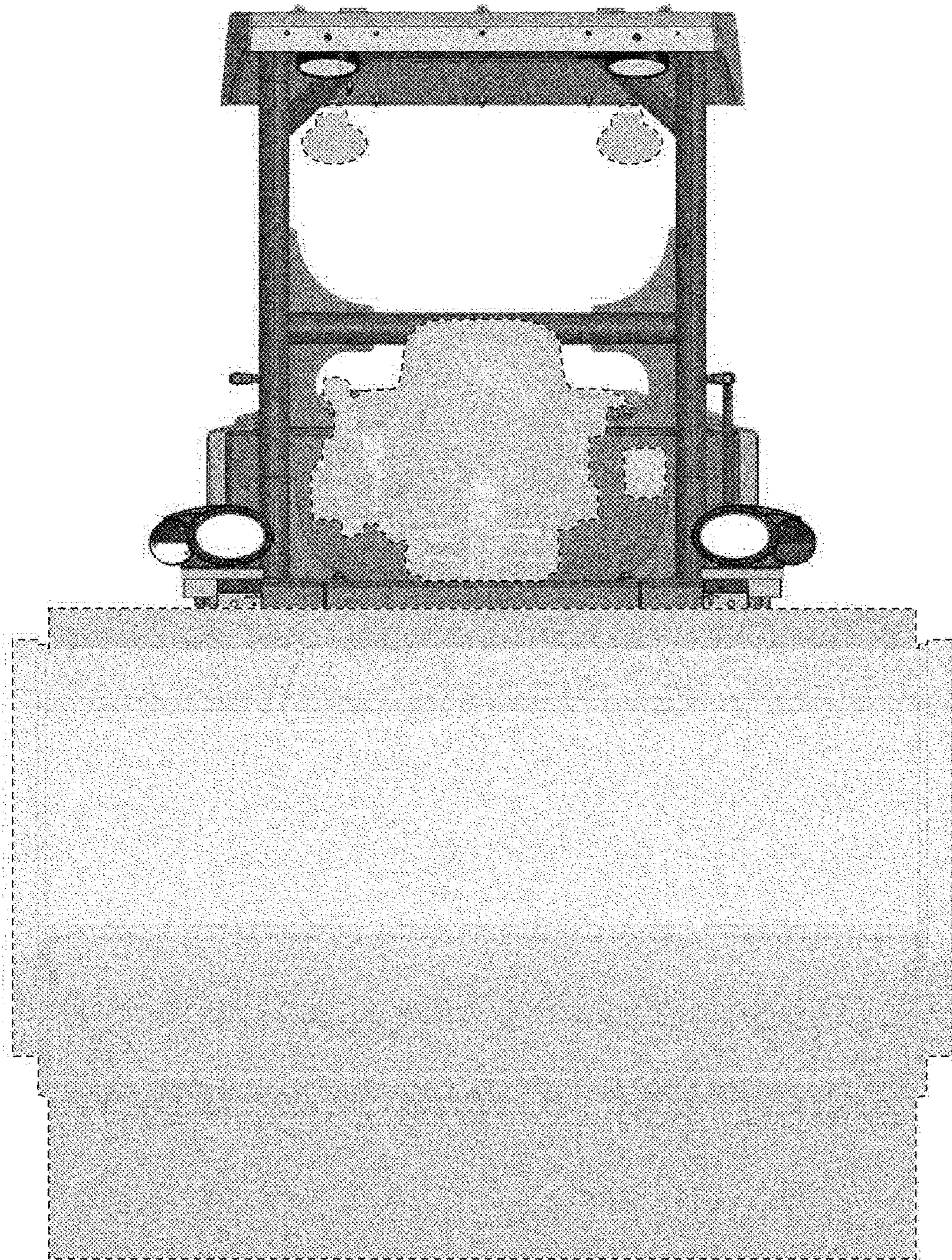


FIG. 7

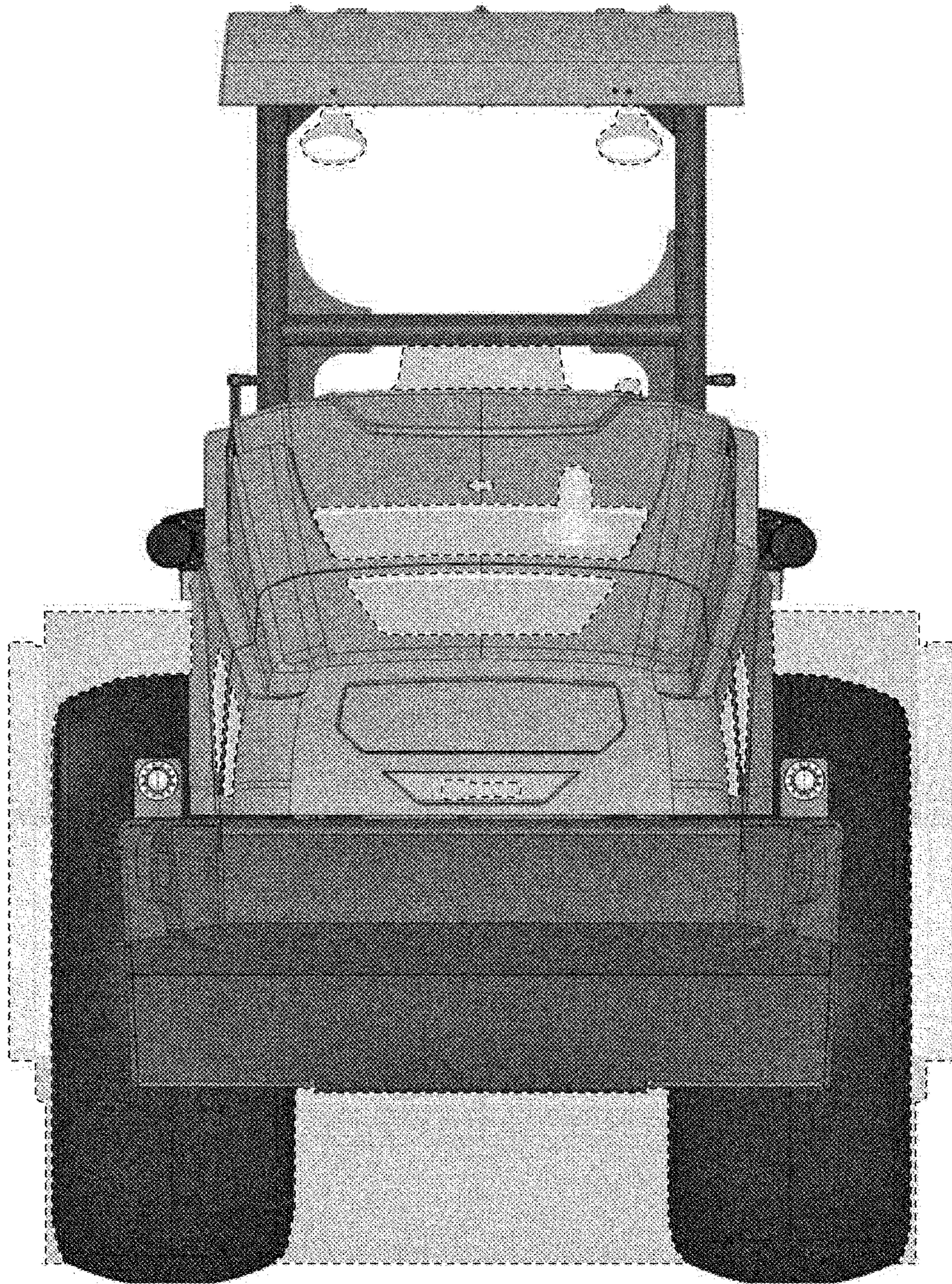


FIG. 8

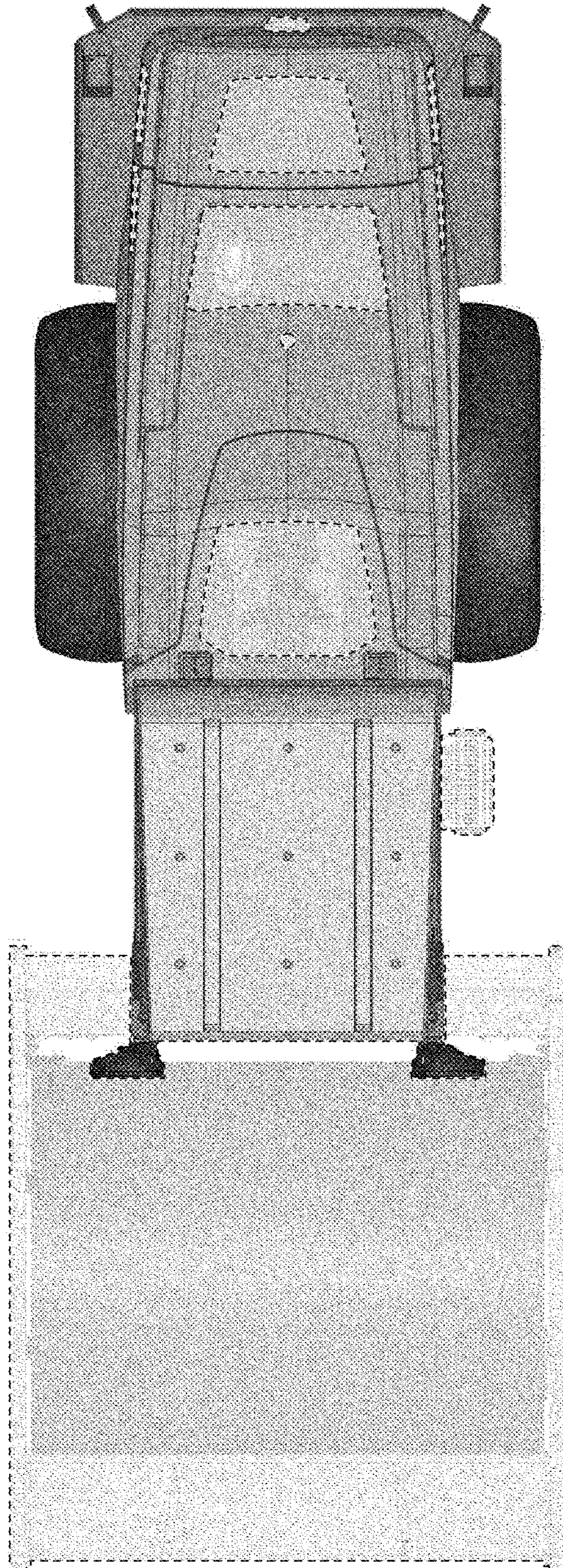


FIG. 9

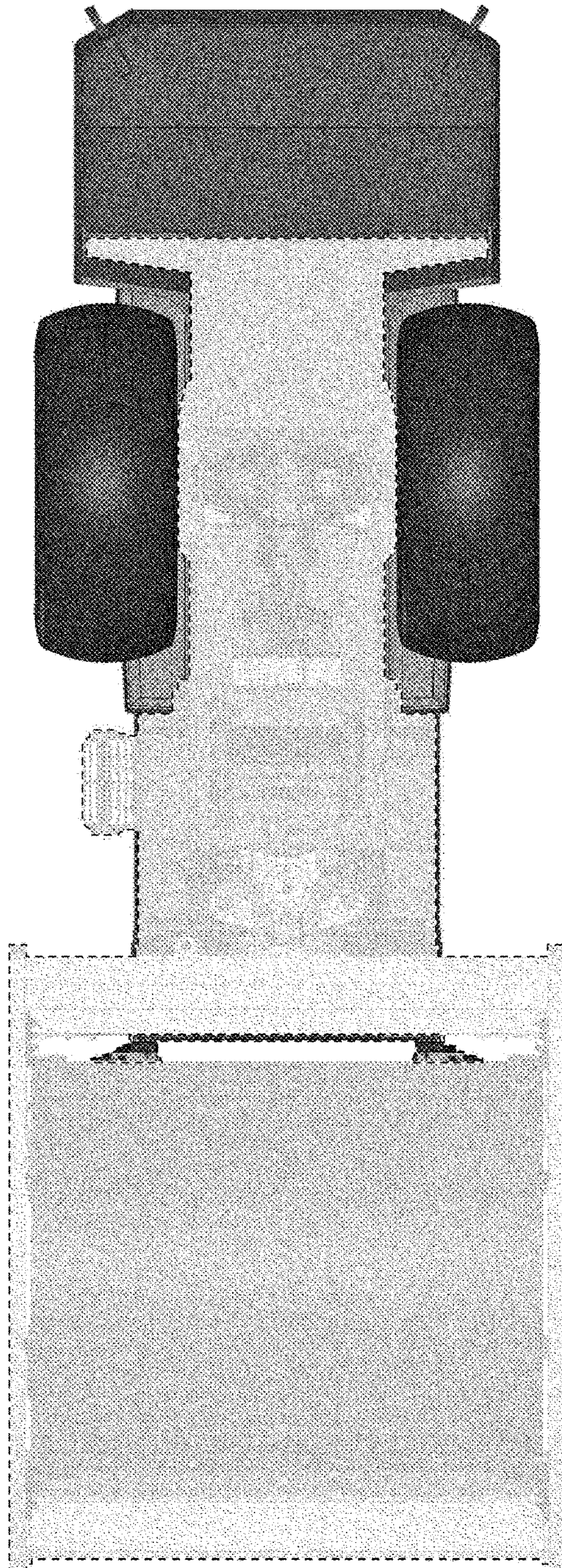


FIG. 10