



US00D819703S

(12) **United States Design Patent**  
**Lee et al.**

(10) **Patent No.:** **US D819,703 S**  
(45) **Date of Patent:** **\*\* Jun. 5, 2018**

- (54) **HYDROGEN DISPENSER**
- (71) Applicant: **SHELL OIL COMPANY**, Houston, TX (US)
- (72) Inventors: **Dongkyu Lee**, Munich (DE); **Per Tommy Forsgren**, Warngau (DE); **Tithima Supavanichyanont**, Munich (DE)
- (73) Assignee: **SHELL OIL COMPANY**, Houston, TX (US)
- (\*\*) Term: **15 Years**
- (21) Appl. No.: **29/598,120**
- (22) Filed: **Mar. 23, 2017**
- (51) **LOC (11) Cl.** ..... **15-02**
- (52) **U.S. Cl.**  
USPC ..... **D15/9.1**
- (58) **Field of Classification Search**  
USPC ..... D15/7-9.3; D23/231, 232, 225; 417/60, 417/235, 265, 321, 355, 358, 363, 359, 417/410.1, 415-416, 405, 900; 60/408, 60/412; 184/26-37; 415/140-147; 123/495, 509; 222/71, 74, 330  
CPC ... B67D 5/22; B67D 5/12; B67D 5/08; D67D 5/06; G06F 7/08  
See application file for complete search history.

D258,441 S *	3/1981	Gray	.....	D15/9.2
D260,897 S *	9/1981	Todd	.....	D15/9.2
D271,696 S *	12/1983	Todd	.....	D15/9.2
D304,198 S *	10/1989	Long	.....	D15/9.1
D342,525 S *	12/1993	Bloemen	.....	D15/9.1
D398,012 S *	9/1998	Alvern	.....	D15/151
D399,850 S *	10/1998	Alvern	.....	D15/151
D404,401 S *	1/1999	Osborne	.....	D15/9.1
D413,124 S *	8/1999	McSpadden	.....	D15/9.1
D414,779 S *	10/1999	McSpadden	.....	D15/9.2
D415,166 S *	10/1999	McSpadden	.....	D15/9.2
D416,915 S *	11/1999	McSpadden	.....	D15/9.2
D418,523 S *	1/2000	McSpadden	.....	D15/9.1
D427,204 S *	6/2000	Freudenberg	.....	D15/9.2
D429,739 S *	8/2000	McSpadden	.....	D15/9.2
7,975,878 B2 *	7/2011	Wemmert	.....	B67D 7/04 222/330

\* cited by examiner

*Primary Examiner* — Ralf Seifert

(57) **CLAIM**

We claim the ornamental design for a hydrogen dispenser, as shown and described.

**DESCRIPTION**

FIG. 1 is a front elevation of a hydrogen dispenser showing our new design.

FIG. 2 is a left side elevation of the hydrogen dispenser of FIG. 1.

FIG. 3 is a rear elevation of the hydrogen dispenser of FIG. 1.

FIG. 4 is a right and rear perspective view of the hydrogen dispenser of FIG. 1.

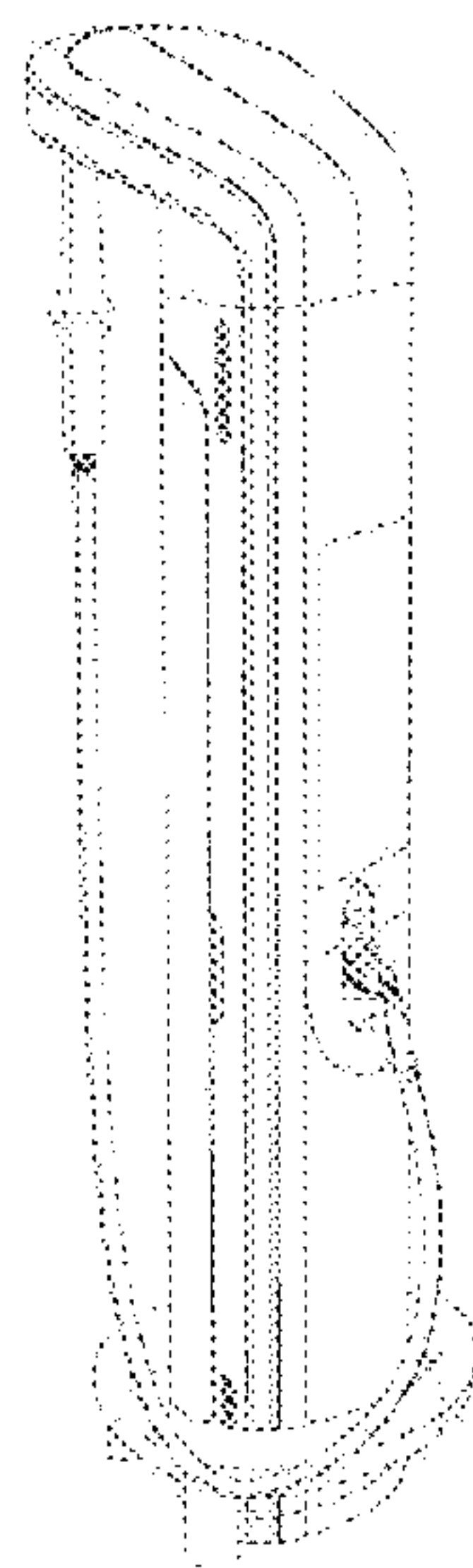
FIG. 5 is a left and rear perspective view of the hydrogen dispenser of FIG. 1.

FIG. 6 is a left perspective view of the hydrogen dispenser of FIG. 1; and,

FIG. 7 is a top view of the hydrogen dispenser of FIG. 1.

**1 Claim, 2 Drawing Sheets**

- (56) **References Cited**  
U.S. PATENT DOCUMENTS
- D197,270 S \* 1/1964 McKnab ..... D15/9.1
- D237,101 S \* 10/1975 Loy et al. .... D15/9.1
- D237,825 S \* 11/1975 Gray ..... D15/9.2
- D244,563 S \* 5/1977 Taylor ..... D15/9.1
- D258,361 S \* 2/1981 Gray ..... D15/9.1
- D258,440 S \* 3/1981 Gray ..... D15/9.2



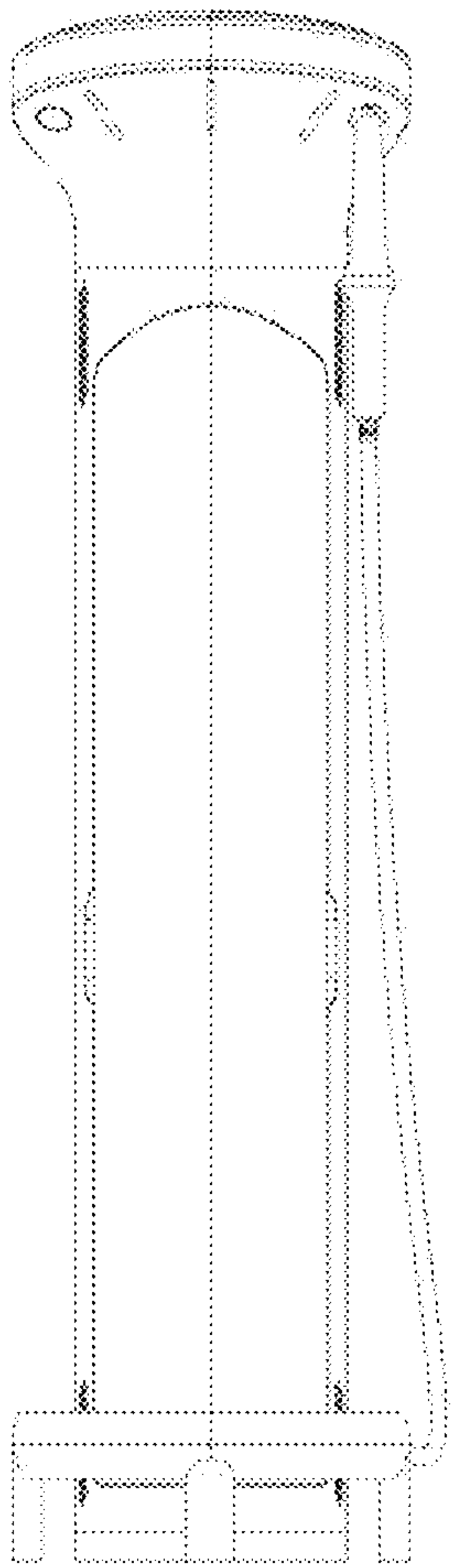


FIG. 1

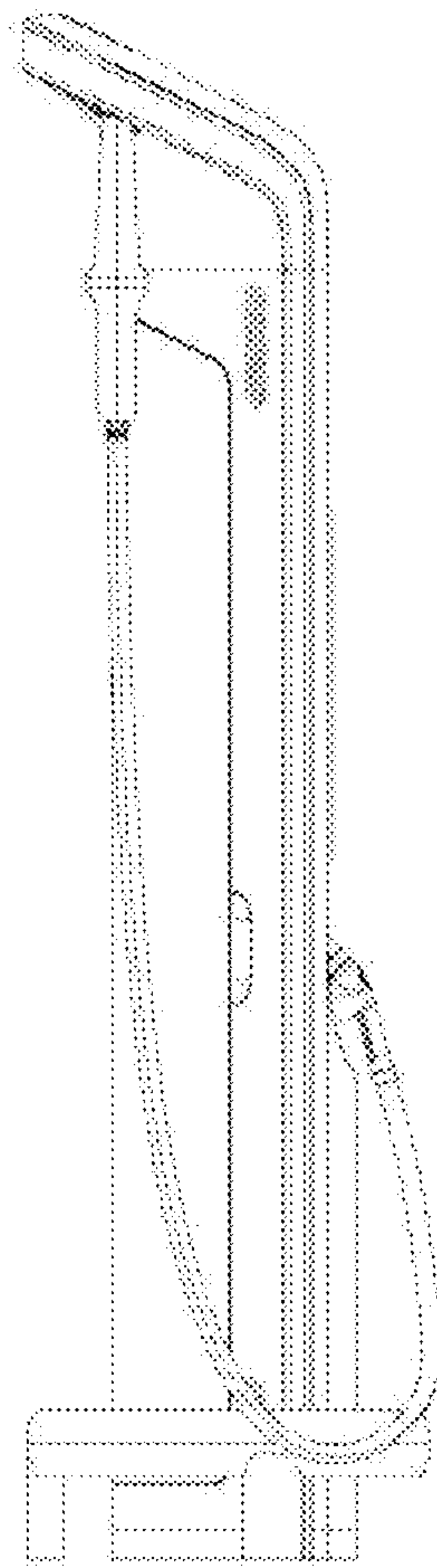


FIG. 2

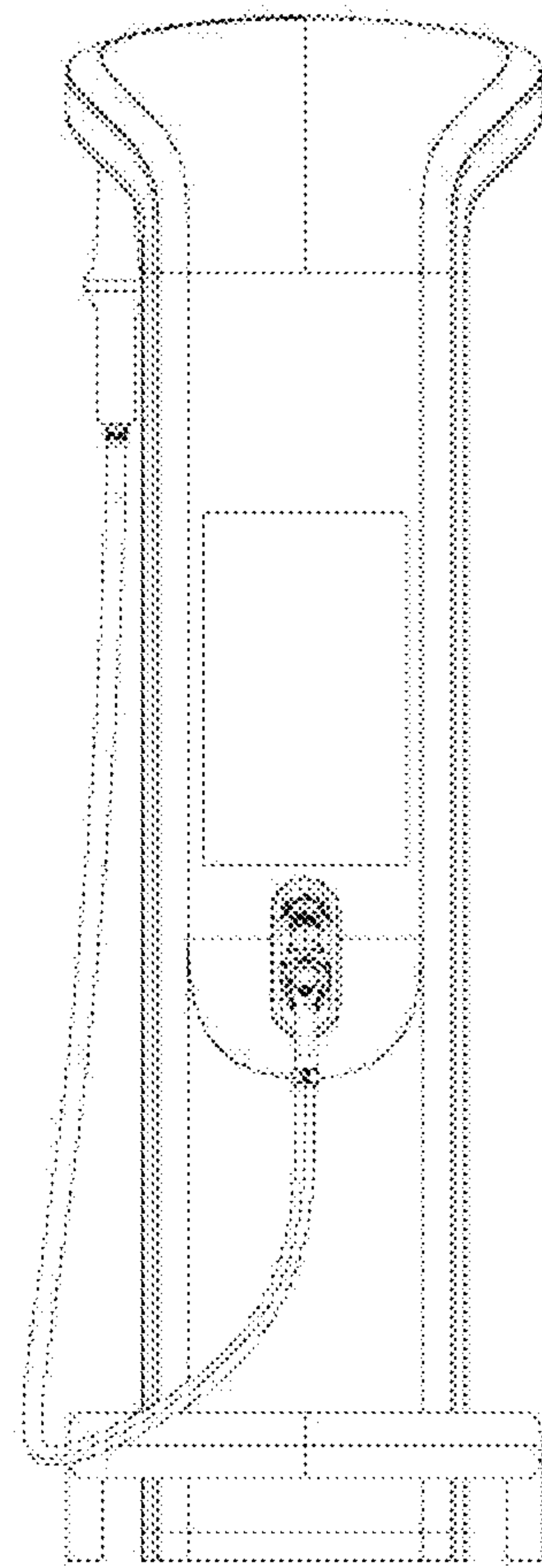


FIG. 3

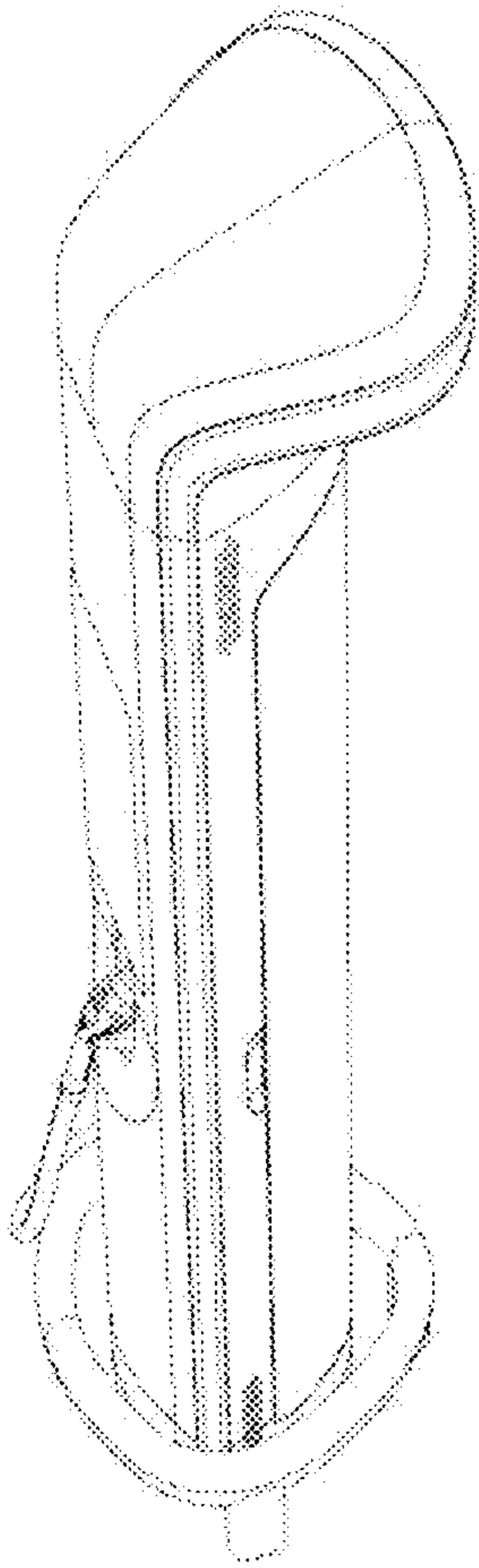


FIG. 4

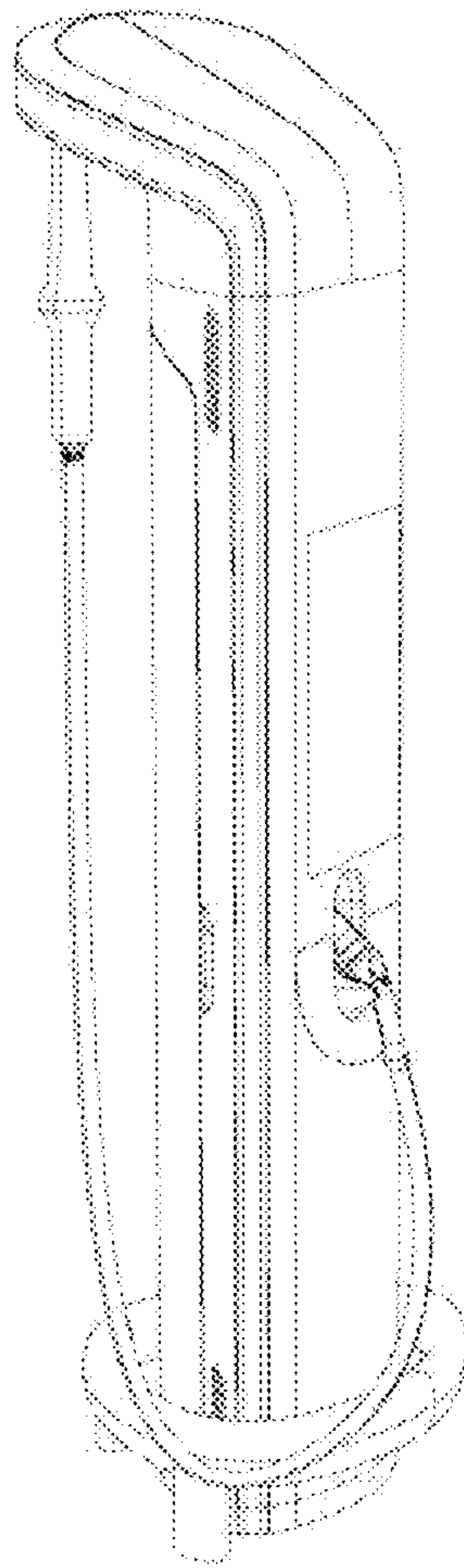


FIG. 5

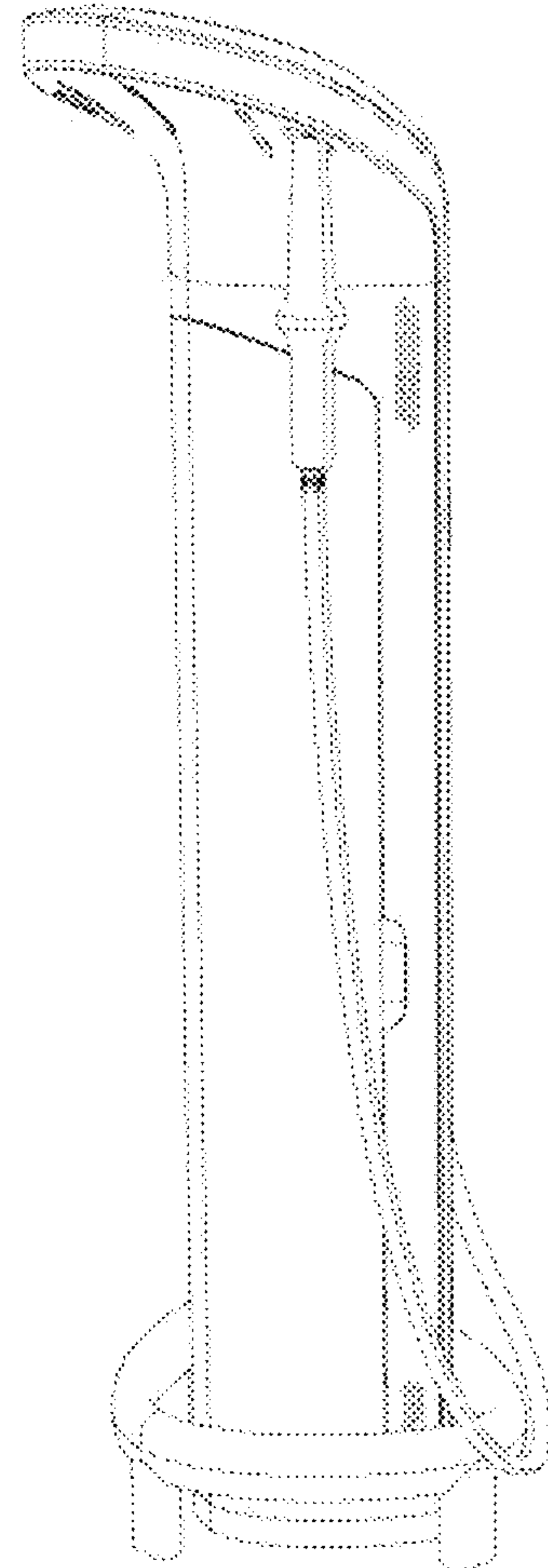


FIG. 6

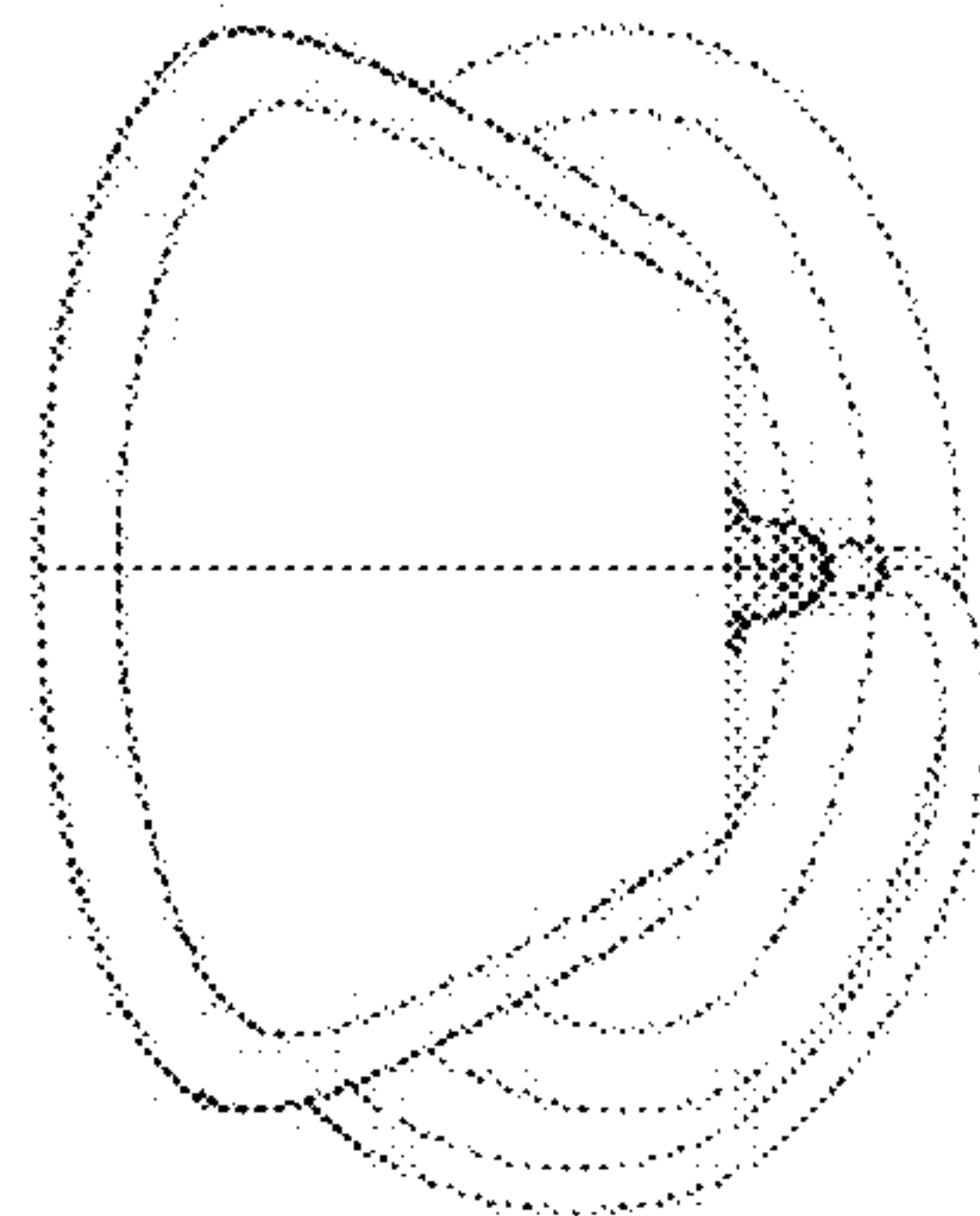


FIG. 7