



US00D819702S

(12) **United States Design Patent** (10) **Patent No.:** **US D819,702 S**
Chu (45) **Date of Patent:** **** Jun. 5, 2018**

(54) **AIR COMPRESSOR**

(71) Applicant: **Henry C. Chu**, Orange, CA (US)

(72) Inventor: **Henry C. Chu**, Orange, CA (US)

(**) Term: **15 Years**

(21) Appl. No.: **29/606,182**

(22) Filed: **Jun. 2, 2017**

(51) **LOC (11) Cl.** **15-02**

(52) **U.S. Cl.**
USPC **D15/9**

(58) **Field of Classification Search**

USPC D15/7-9; D23/231, 232, 225; 417/60,
417/235, 265, 321, 355, 358, 363, 359,
417/410.1, 415-416, 405, 900, 269, 539;
60/408, 412; 184/26-37; 415/140-147;
123/495, 509; 137/565.34
CPC F02M 37/04; F02M 37/14; F04B 53/92;
F04B 1/005; F04D 13/06; F04D 29/22;
F04D 29/046; F04D 29/2266

See application file for complete search history.

(56) **References Cited**

U.S. PATENT DOCUMENTS

D381,993 S *	8/1997	Takenaka	D15/9
D429,738 S *	8/2000	Kayukawa	D15/9
D466,526 S *	12/2002	Fujii	D15/9
D537,452 S *	2/2007	Chu	D15/9
D538,301 S *	3/2007	Chu	D15/9
D603,876 S *	11/2009	Chu	D15/9
D603,877 S *	11/2009	Chu	D15/9
D732,085 S *	6/2015	Park	D15/9

* cited by examiner

Primary Examiner — Ralf Seifert

(74) *Attorney, Agent, or Firm* — Charles E. Baxley

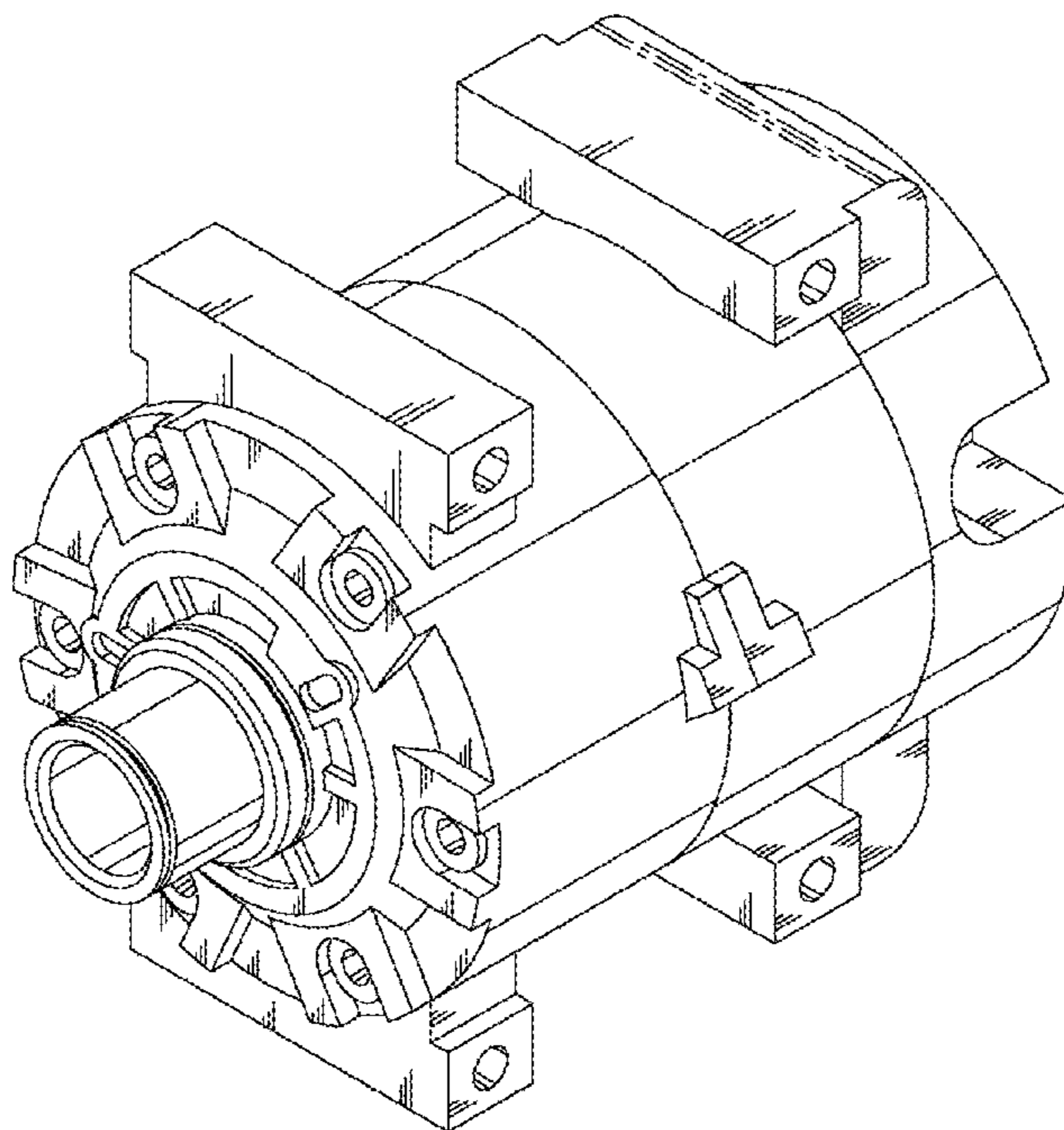
(57) **CLAIM**

The ornamental design for an air compressor, as shown and described.

DESCRIPTION

FIG. 1 is a front and upper perspective view of an air compressor showing my new design; FIG. 2 is a front elevational view thereof; FIG. 3 is a rear elevational view thereof; FIG. 4 is a top plan view thereof; FIG. 5 is a bottom plan view thereof; FIG. 6 is a left side elevational view thereof; FIG. 7 is a right side elevational view thereof; FIG. 8 is a rear and upper perspective view thereof; FIG. 9 is a rear and bottom perspective view thereof; FIG. 10 is a front and upper perspective view thereof, the recesses and the protrusions depicted by means of broken lines being for illustrative purposes only and forming no part of the claimed design; FIG. 11 is a rear and upper perspective view thereof, the recesses and the protrusions depicted by means of broken lines being for illustrative purposes only and forming no part of the claimed design; and, FIG. 12 is a rear and bottom perspective view thereof, the recesses and the protrusions depicted by means of broken lines being for illustrative purposes only and forming no part of the claimed design.

1 Claim, 10 Drawing Sheets



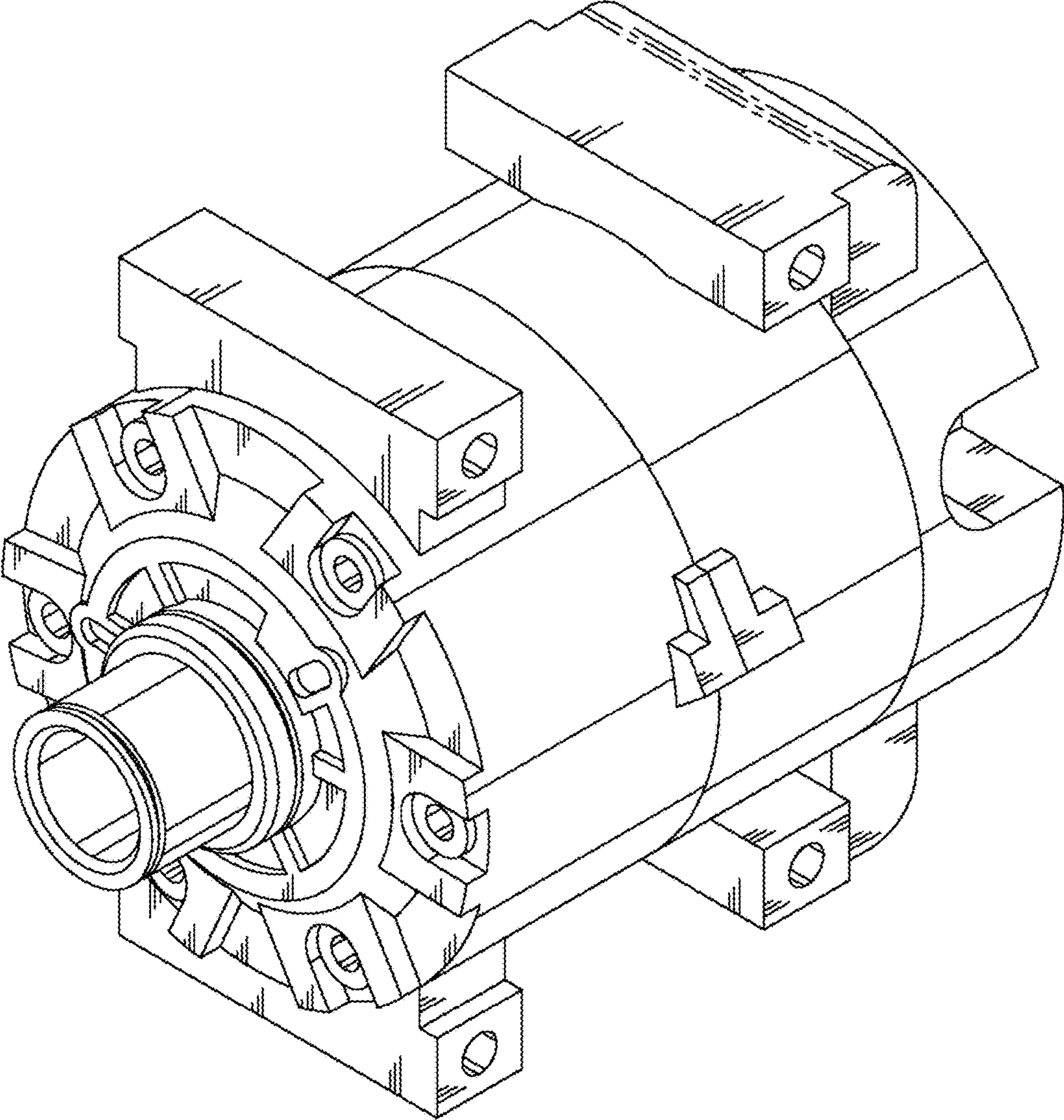


FIG. 1

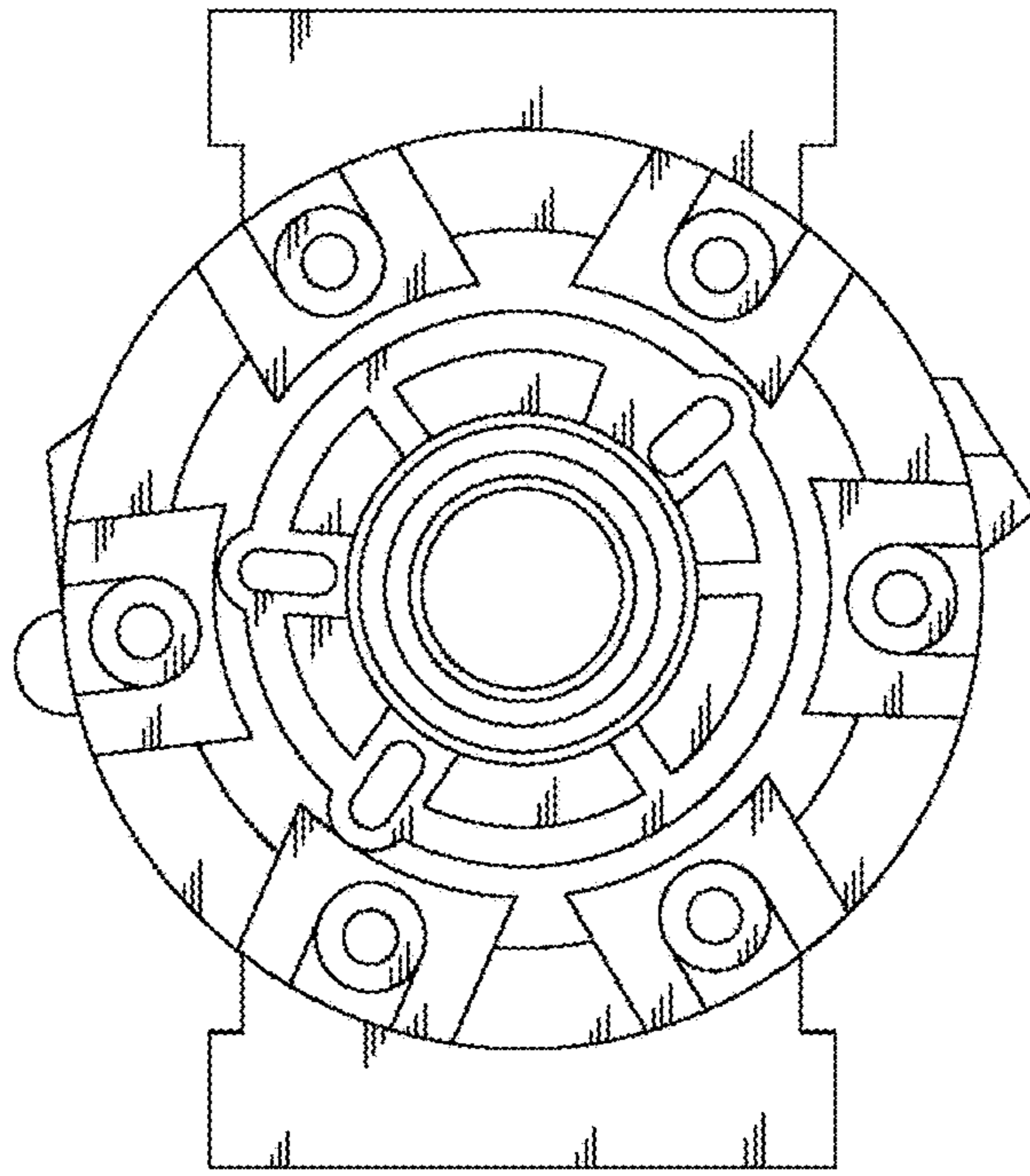


FIG. 2

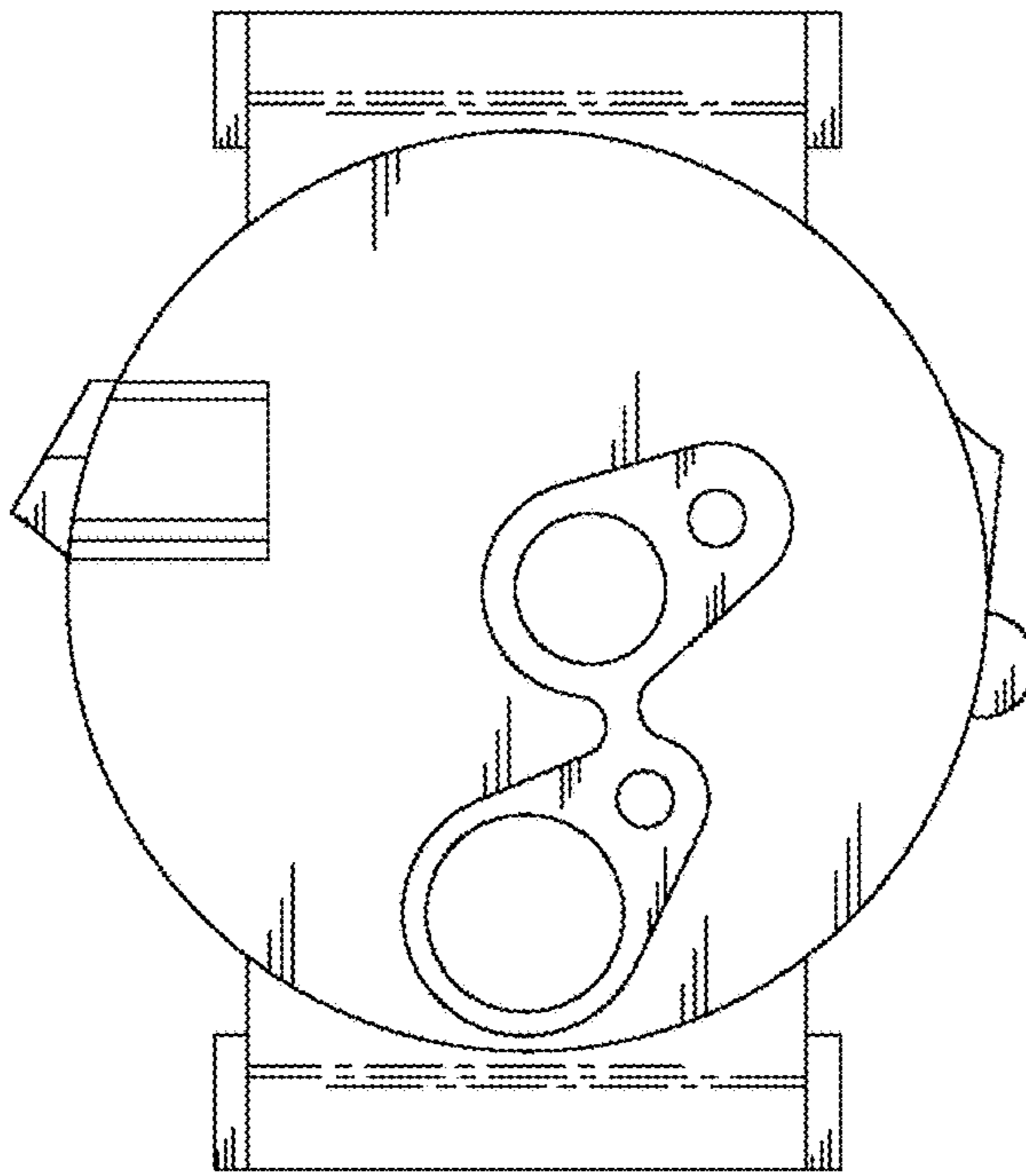


FIG. 3

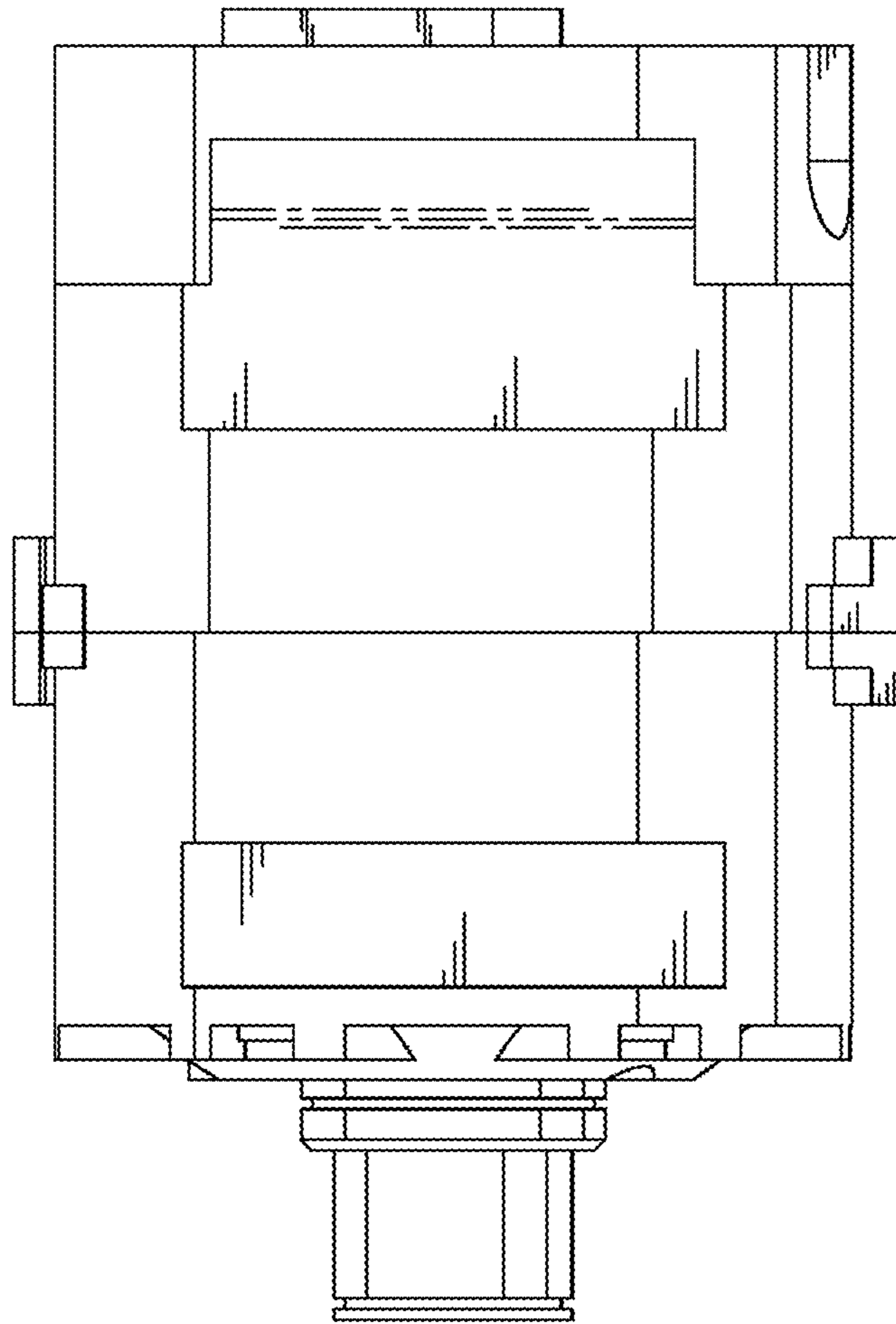


FIG. 4

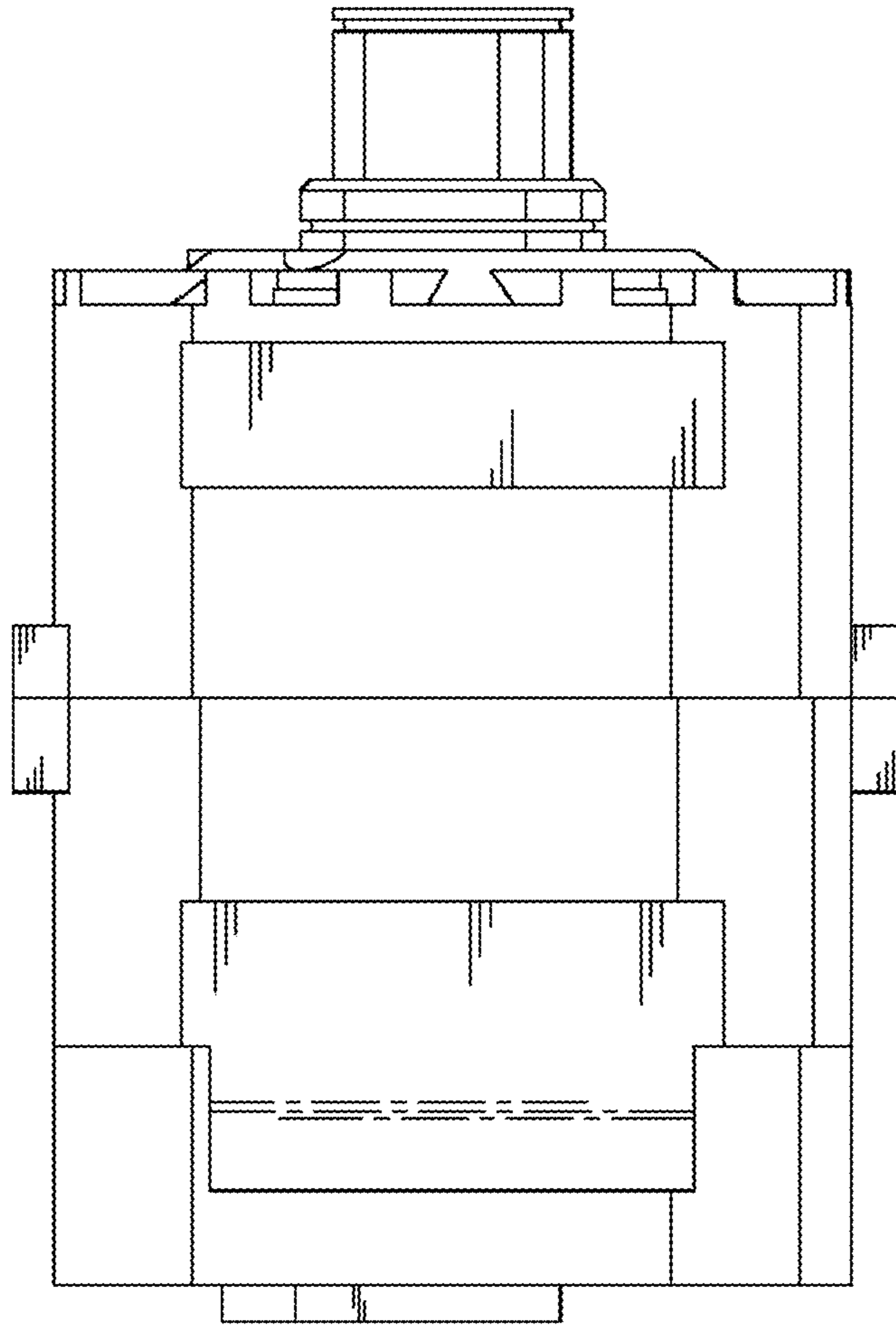


FIG. 5

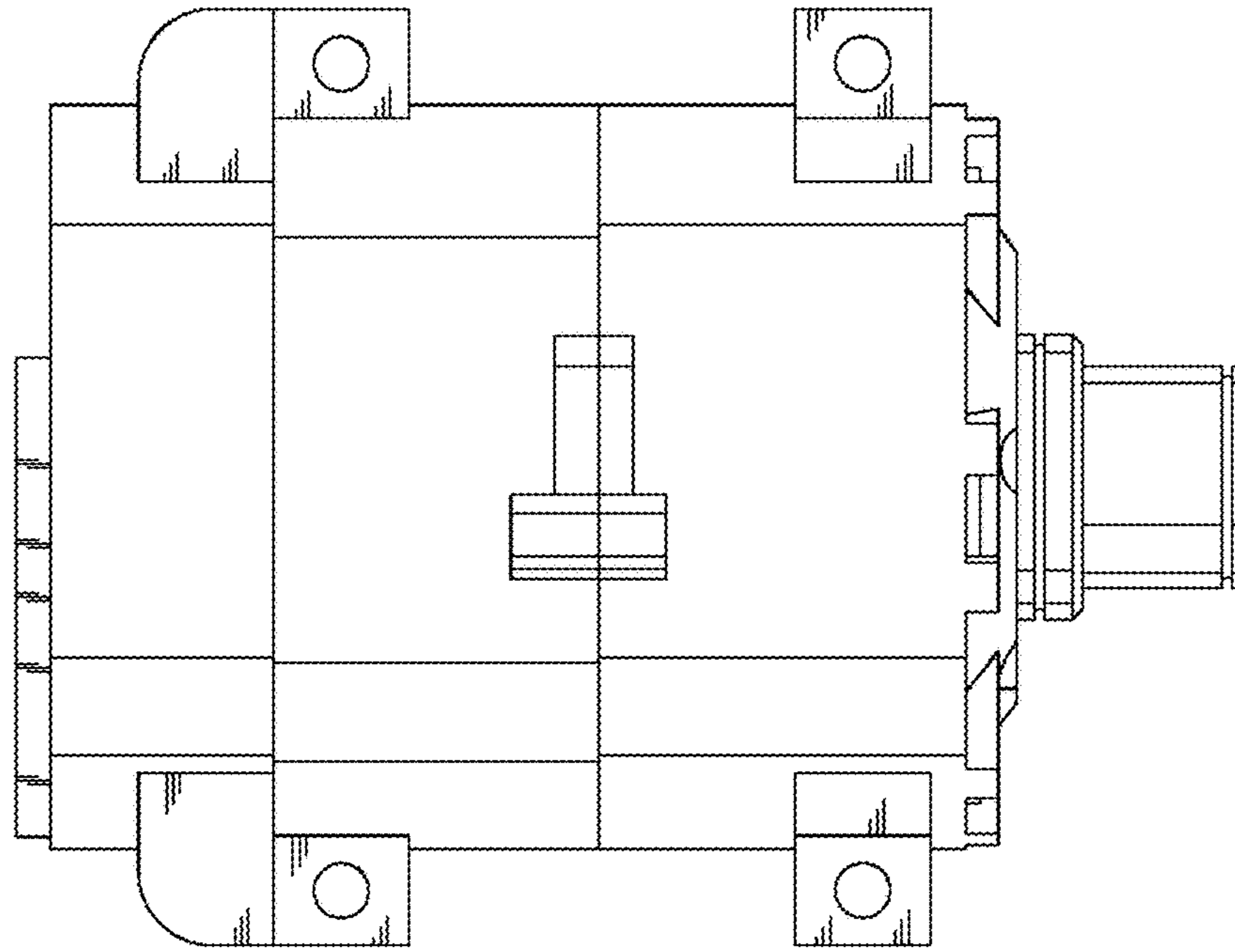


FIG. 6

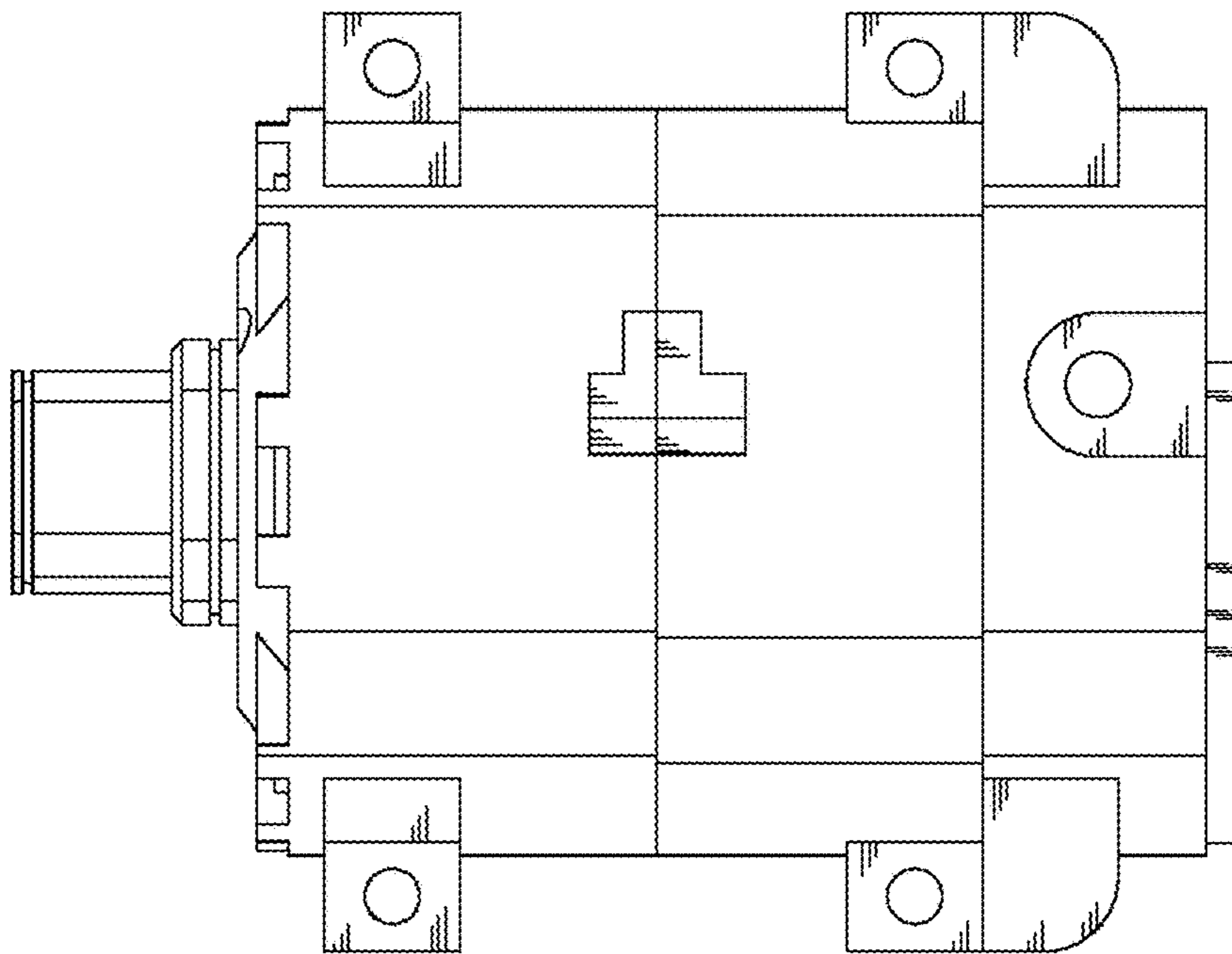


FIG. 7

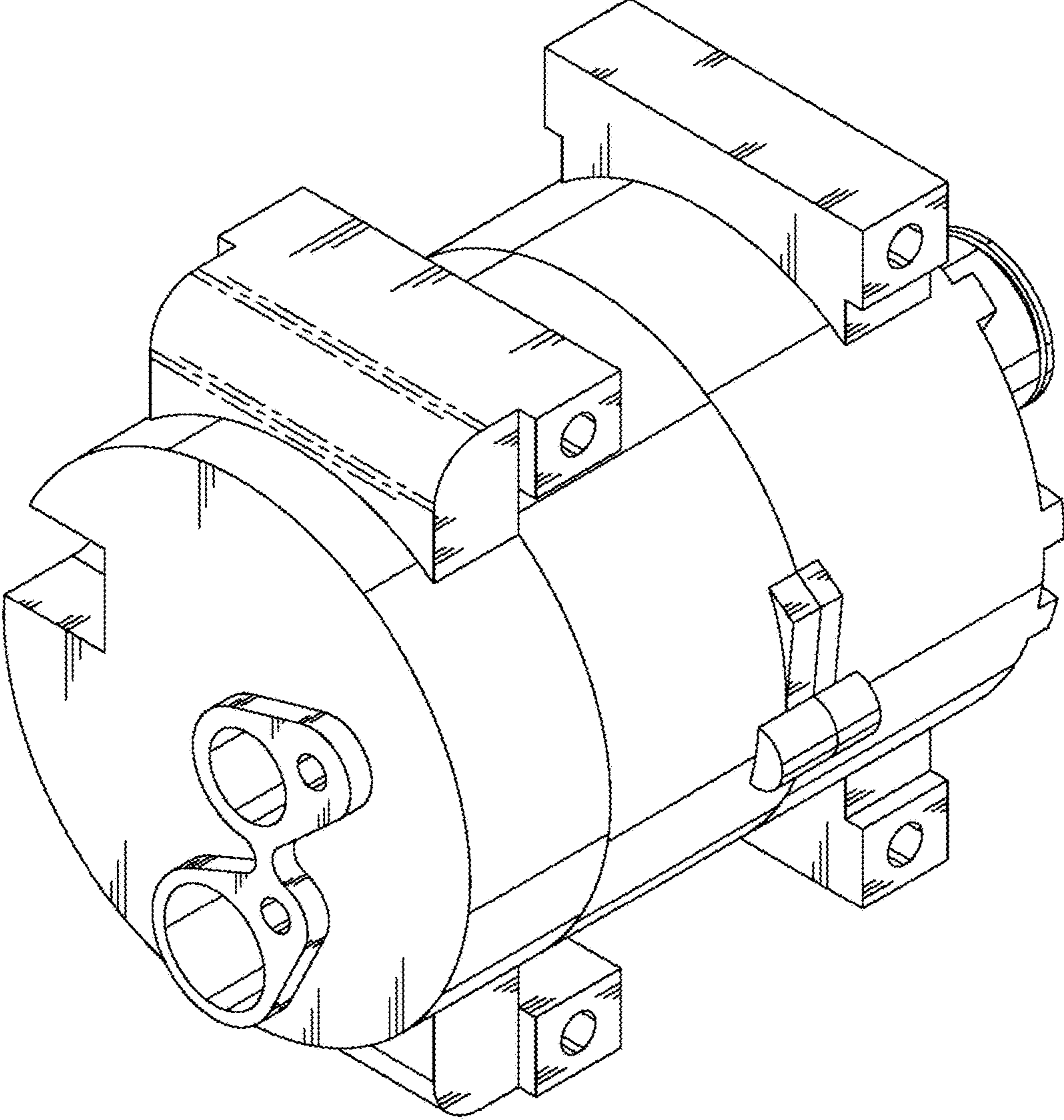


FIG. 8

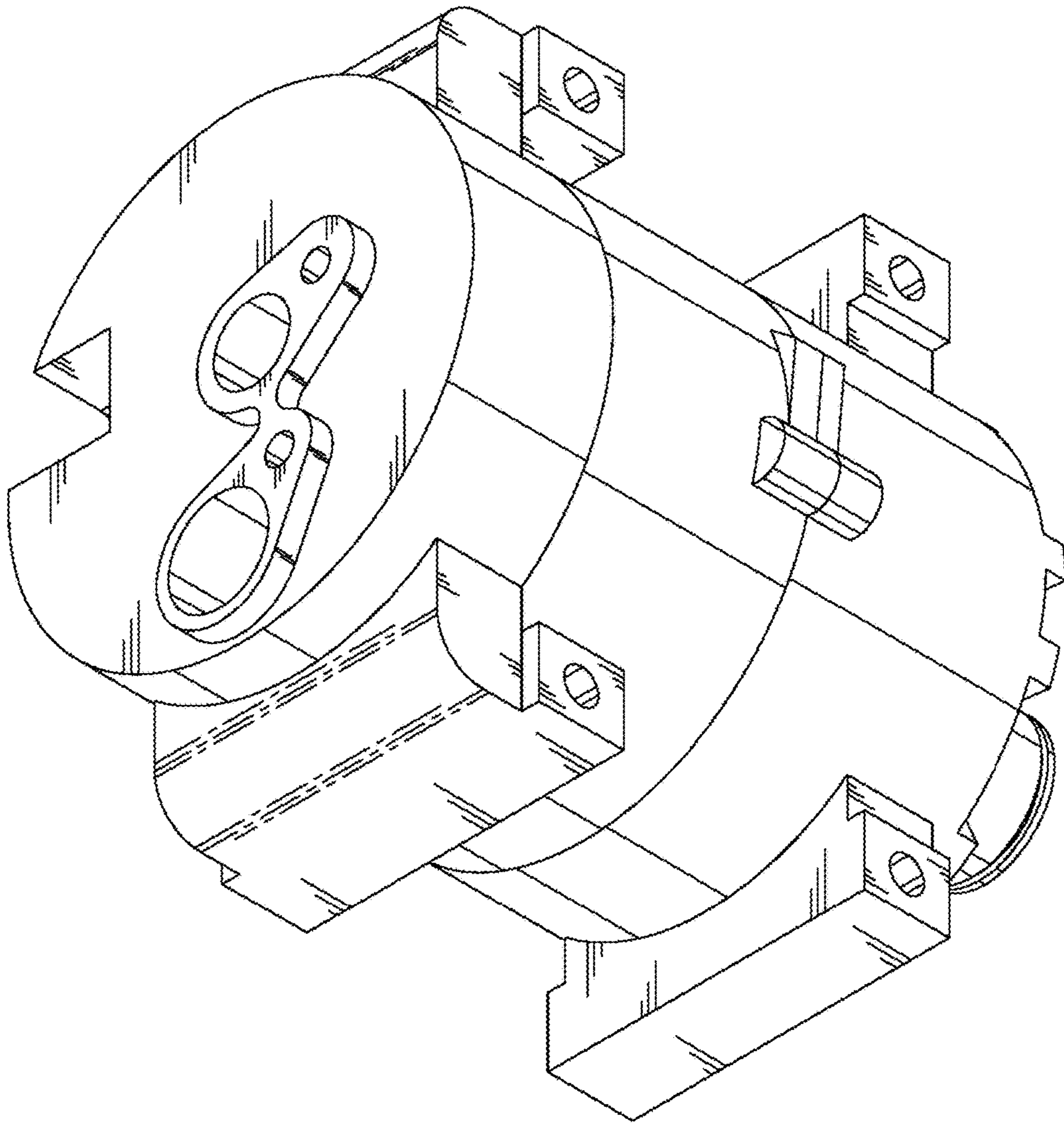


FIG. 9

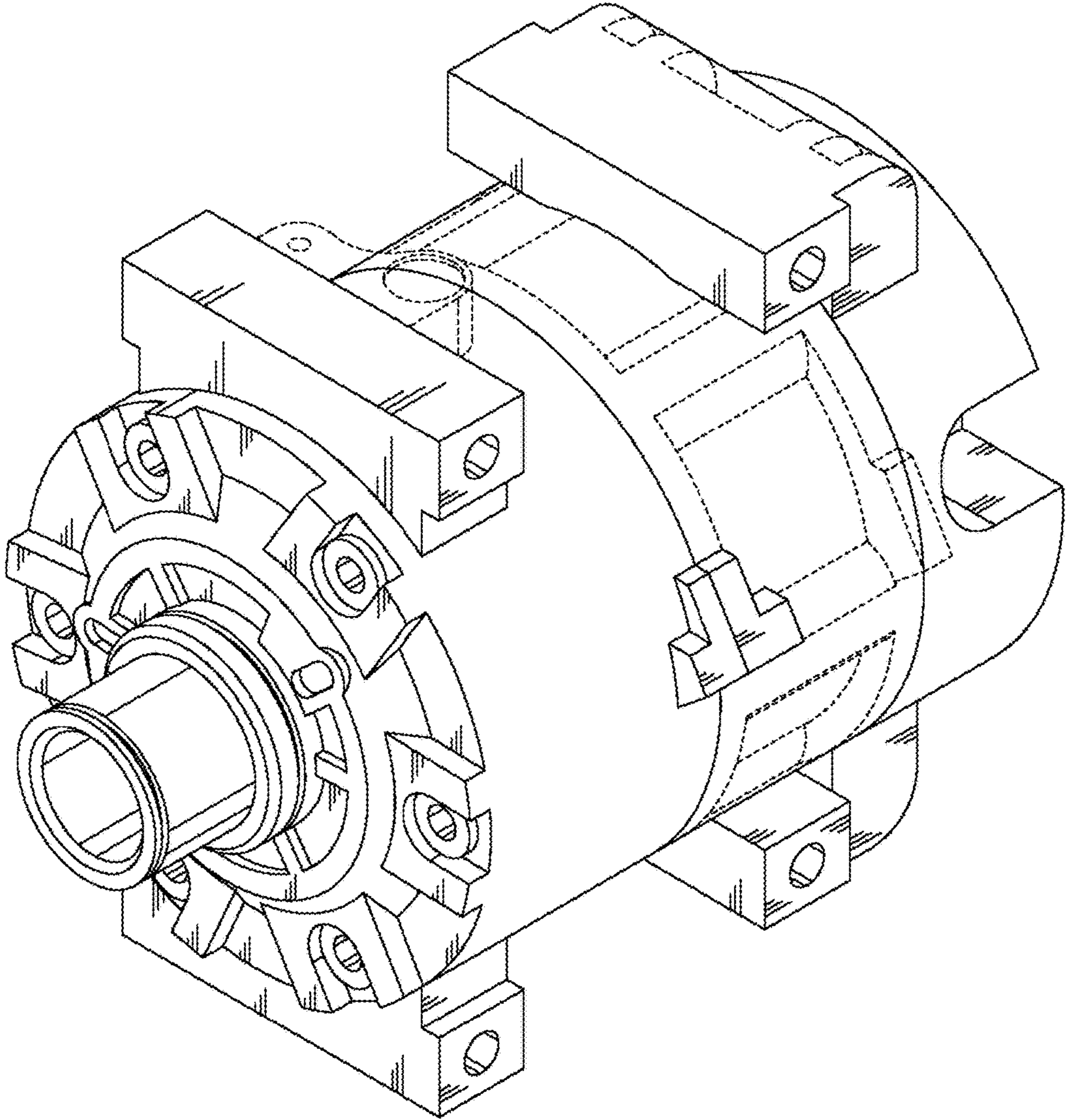


FIG. 10

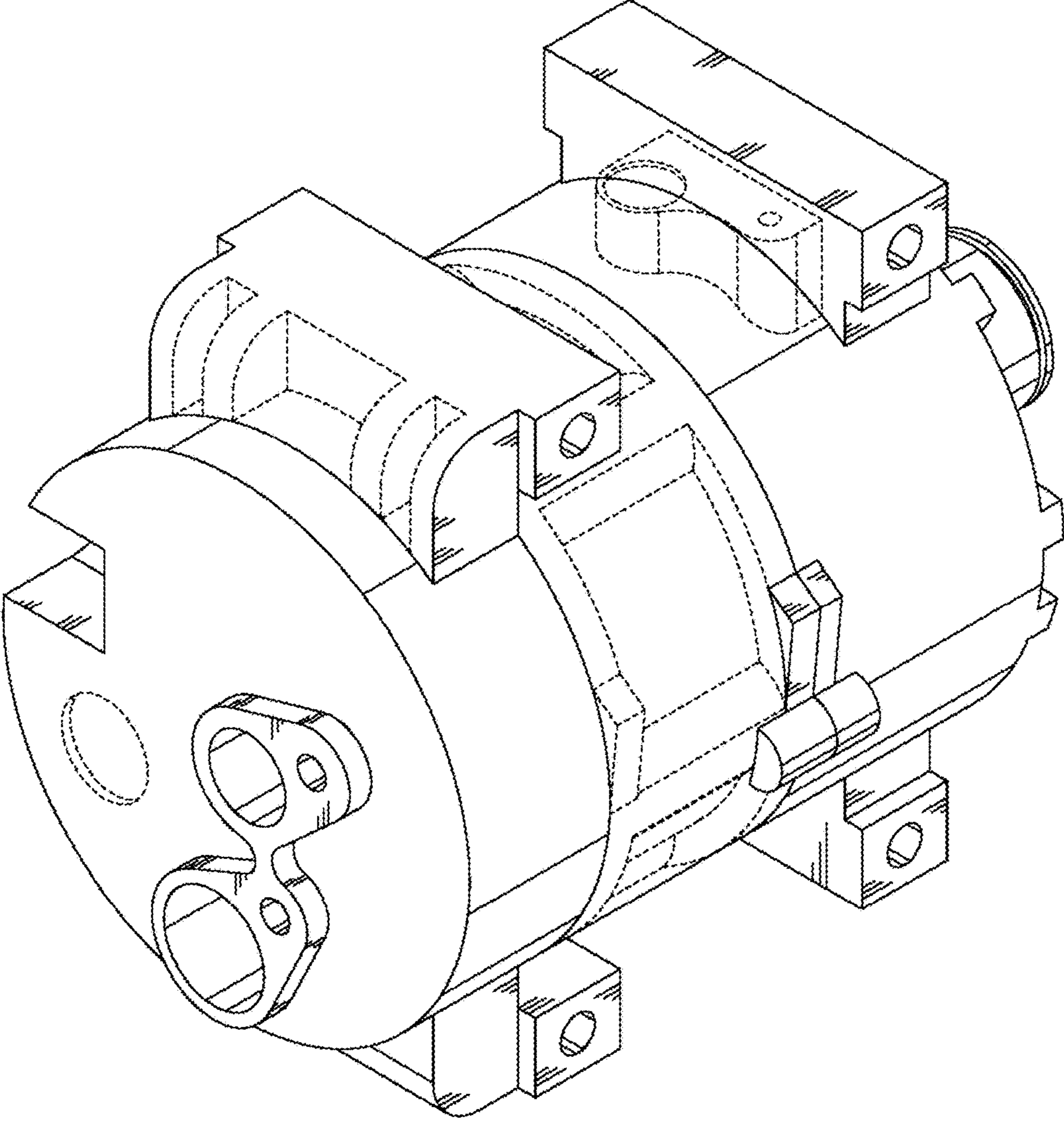


FIG. 11

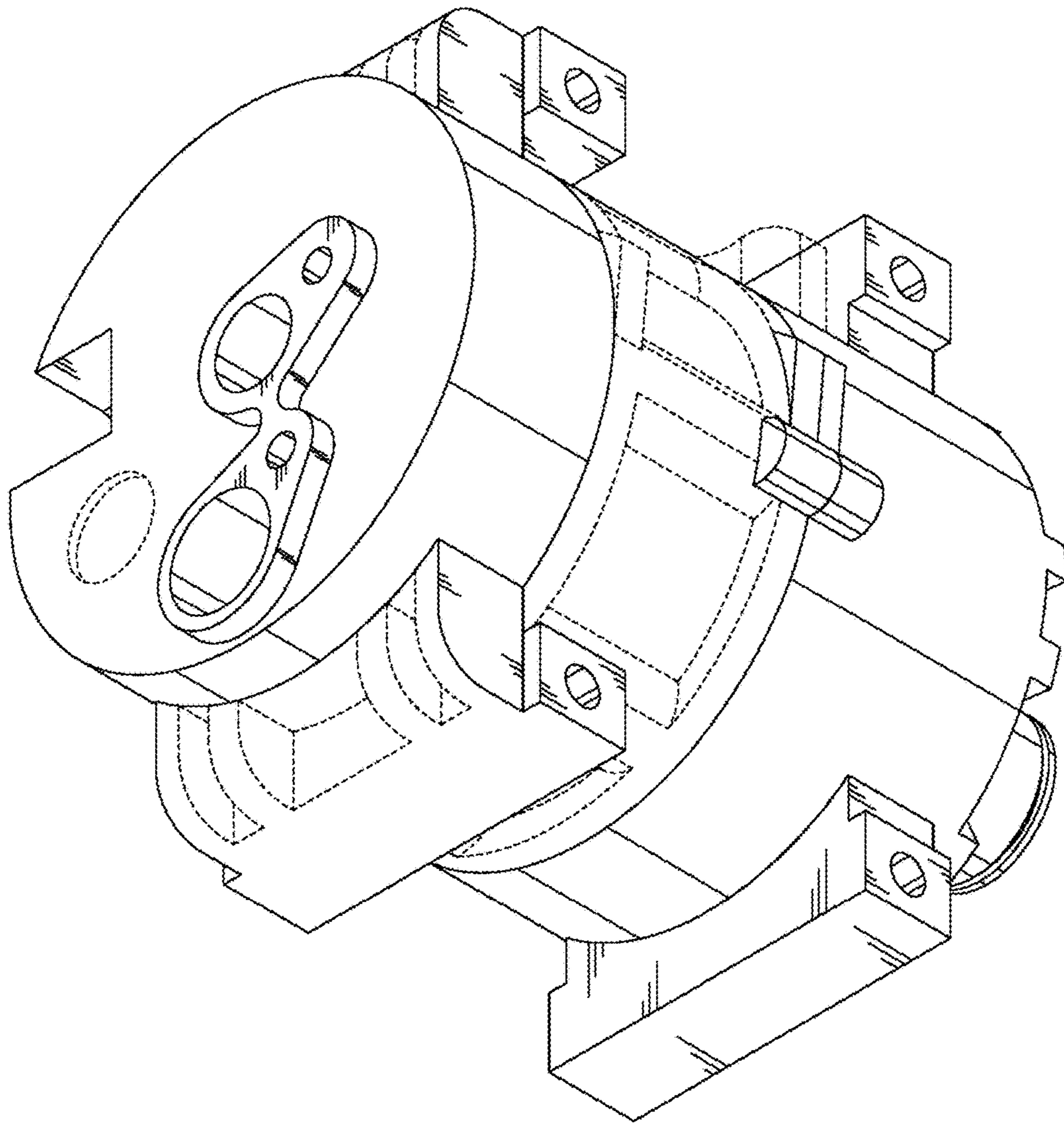


FIG. 12