



US00D819701S

(12) **United States Design Patent**
Takeda et al.

(10) **Patent No.:** **US D819,701 S**
(45) **Date of Patent:** **** Jun. 5, 2018**

(54) **PUMP BODY FOR CENTRIFUGAL PUMP UNIT**

(71) Applicant: **SAGINOMIYA SEISAKUSHO, INC.**,
Tokyo (JP)

(72) Inventors: **Tsuyoshi Takeda**, Sayama (JP); **Taiki Nakagawa**, Sayama (JP)

(73) Assignee: **SAGINOMIYA SEISAKUSHO, INC.**,
Tokyo (JP)

(**) Term: **15 Years**

(21) Appl. No.: **29/602,460**

(22) Filed: **May 1, 2017**

(30) **Foreign Application Priority Data**

Nov. 18, 2016 (JP) 2016-025144

(51) **LOC (11) Cl.** **15-02**

(52) **U.S. Cl.**
USPC **D15/7**

(58) **Field of Classification Search**

USPC D15/7-9; D23/231, 232, 225; 417/60,
417/235, 265, 321, 355, 358, 363, 359,
417/410.1, 415-416, 405, 900, 423.7;
60/408, 412; 184/26-37; 415/140-147;
123/495, 509; 137/565.34
CPC F02M 37/04; F02M 37/14
See application file for complete search history.

(56) **References Cited**

U.S. PATENT DOCUMENTS

D484,146 S *	12/2003	Urano	D15/7
D520,023 S *	5/2006	Goto	D15/7
D520,024 S *	5/2006	Chen	D15/7
D534,548 S *	1/2007	Urano	D15/7
D602,500 S *	10/2009	Tokunaga	D15/7
D616,903 S *	6/2010	Kimura	D15/7
D763,321 S *	8/2016	Ostrosky	D15/7
D765,145 S	8/2016	Takeda et al.	
D765,146 S	8/2016	Takeda et al.	
D766,987 S	9/2016	Takeda et al.	

* cited by examiner

Primary Examiner — Ralf Seifert

(74) *Attorney, Agent, or Firm* — Reising Ethington P.C.

(57) **CLAIM**

We claim the ornamental design of a pump body for centrifugal pump unit, as shown and described.

DESCRIPTION

FIG. 1 is a front view of the pump body;
FIG. 2 is a rear view of the pump body;
FIG. 3 is a right side view of the pump body;
FIG. 4 is a left side view of the pump body;
FIG. 5 is a plan view of the pump body;
FIG. 6 is a bottom view of the pump body;
FIG. 7 is a perspective plan view of the pump body when viewed from the front and right side; and,
FIG. 8 is a perspective bottom view of the pump body when viewed from the front and left side.

1 Claim, 4 Drawing Sheets

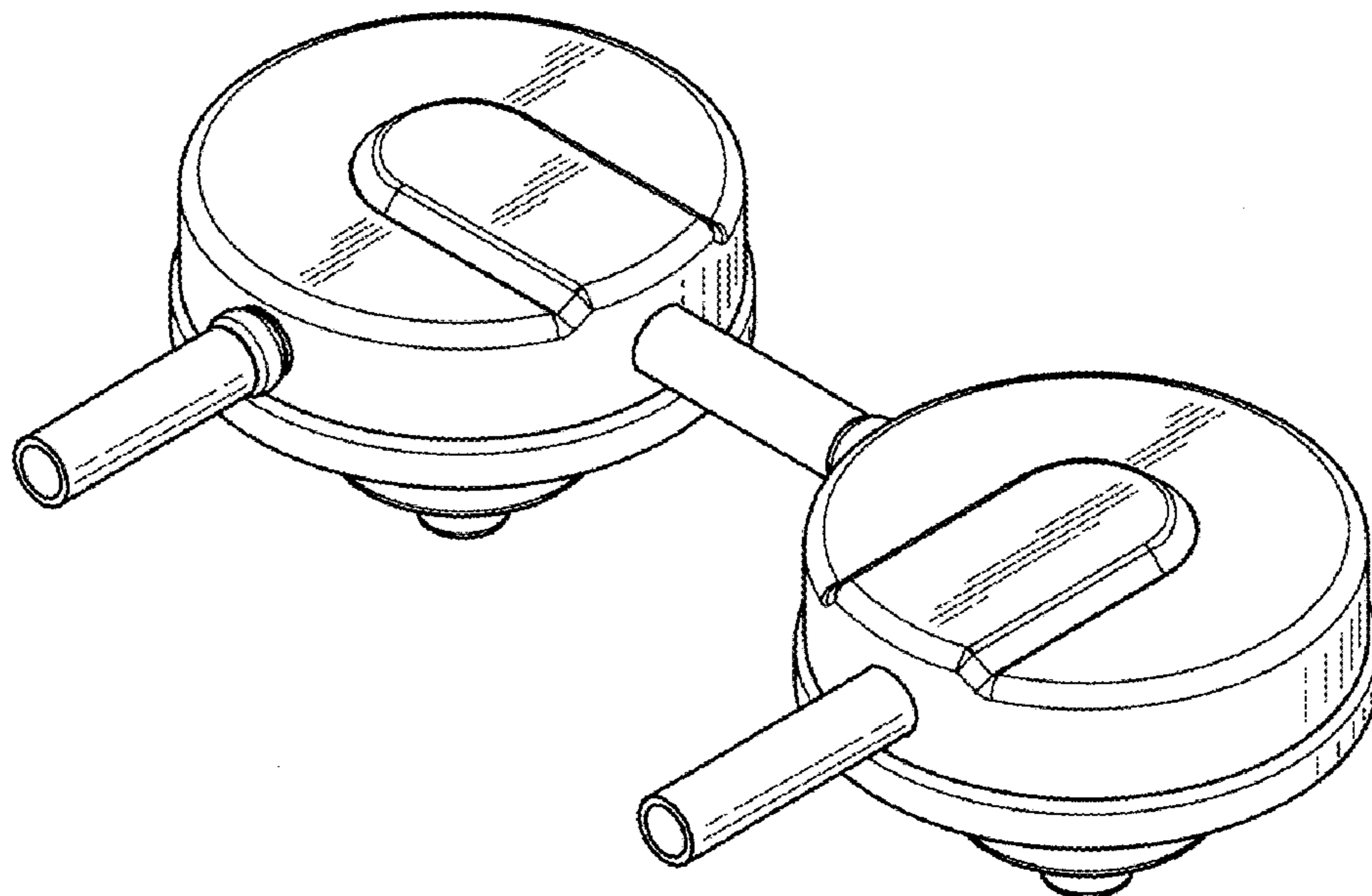


FIG. 1

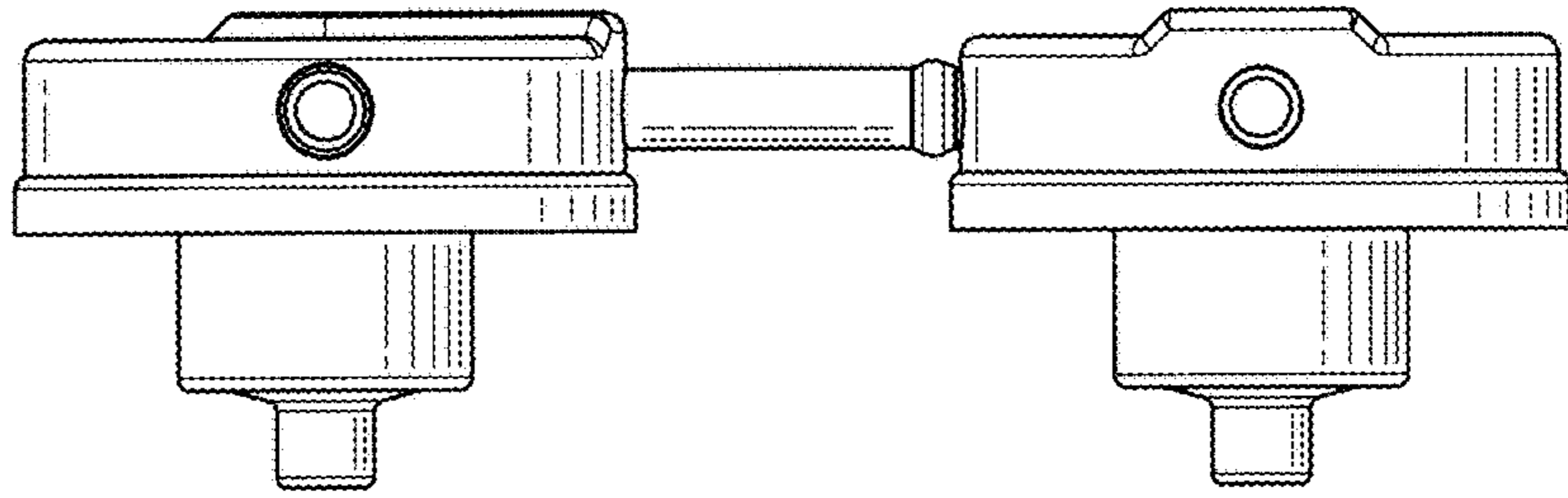


FIG. 2

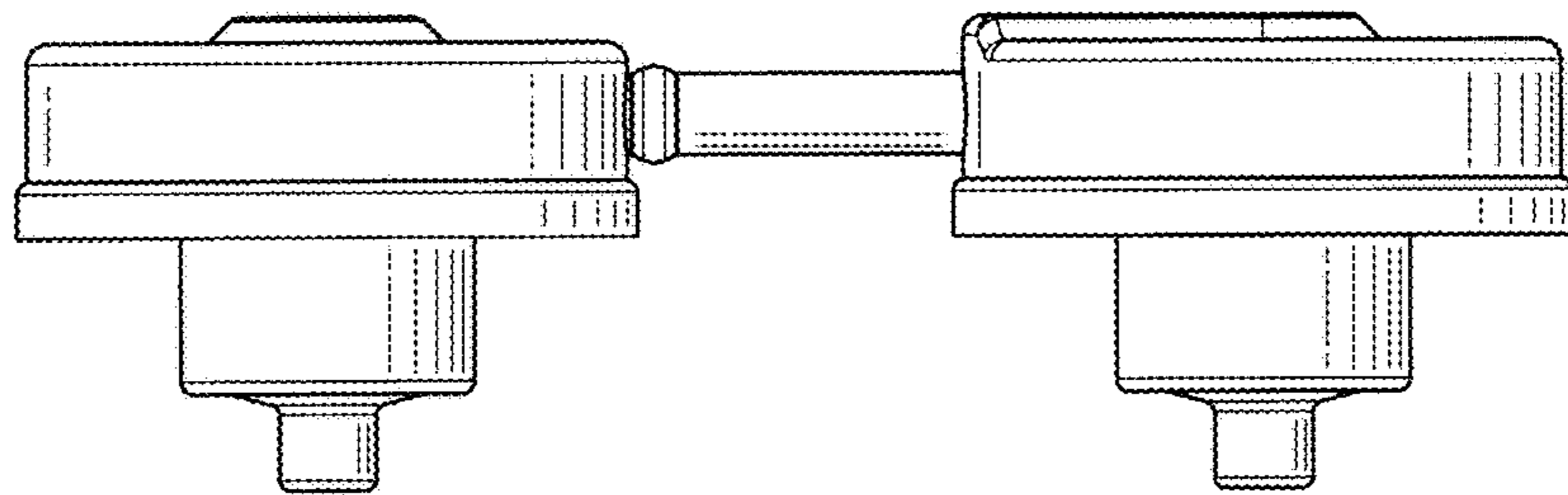


FIG. 3

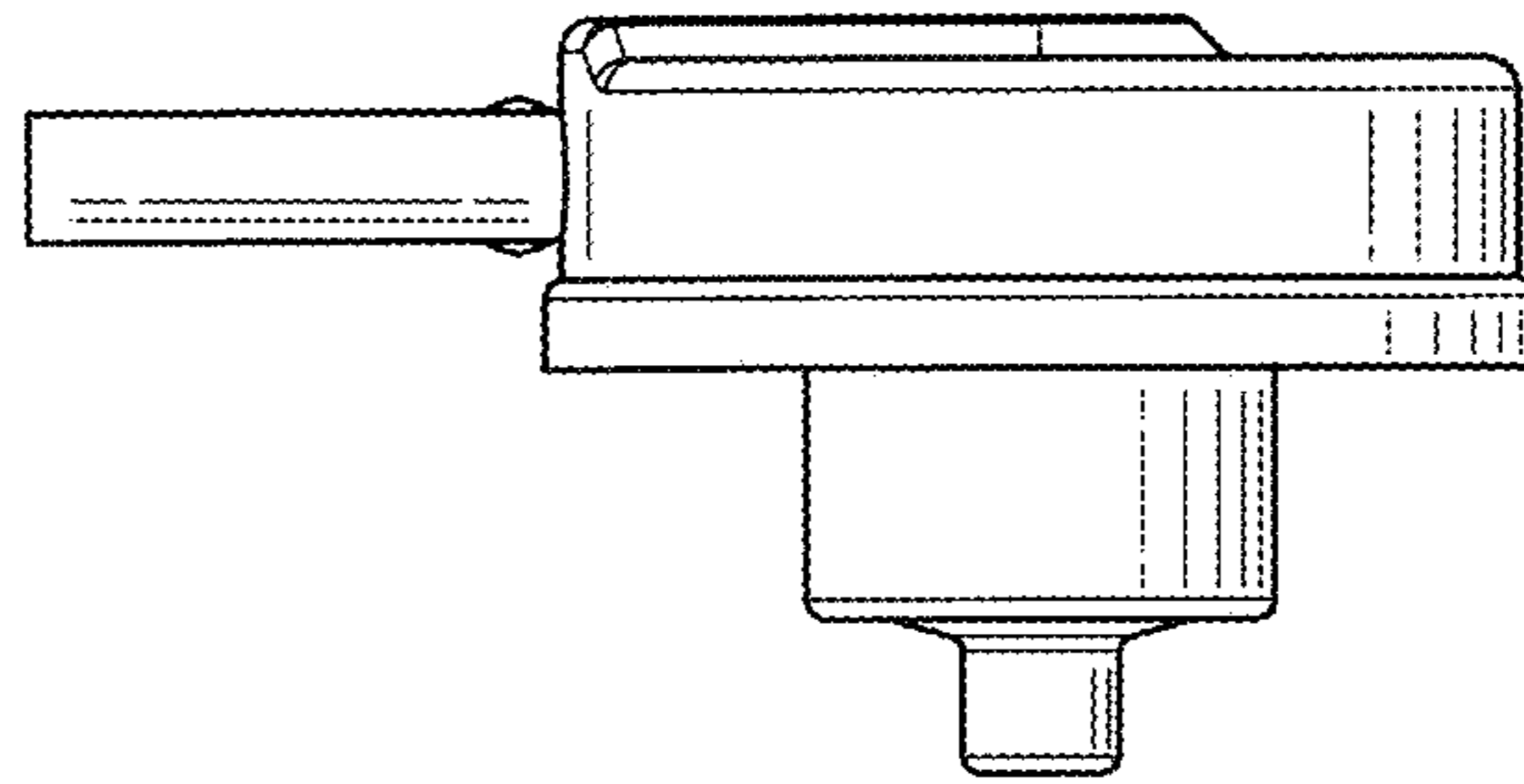


FIG. 4

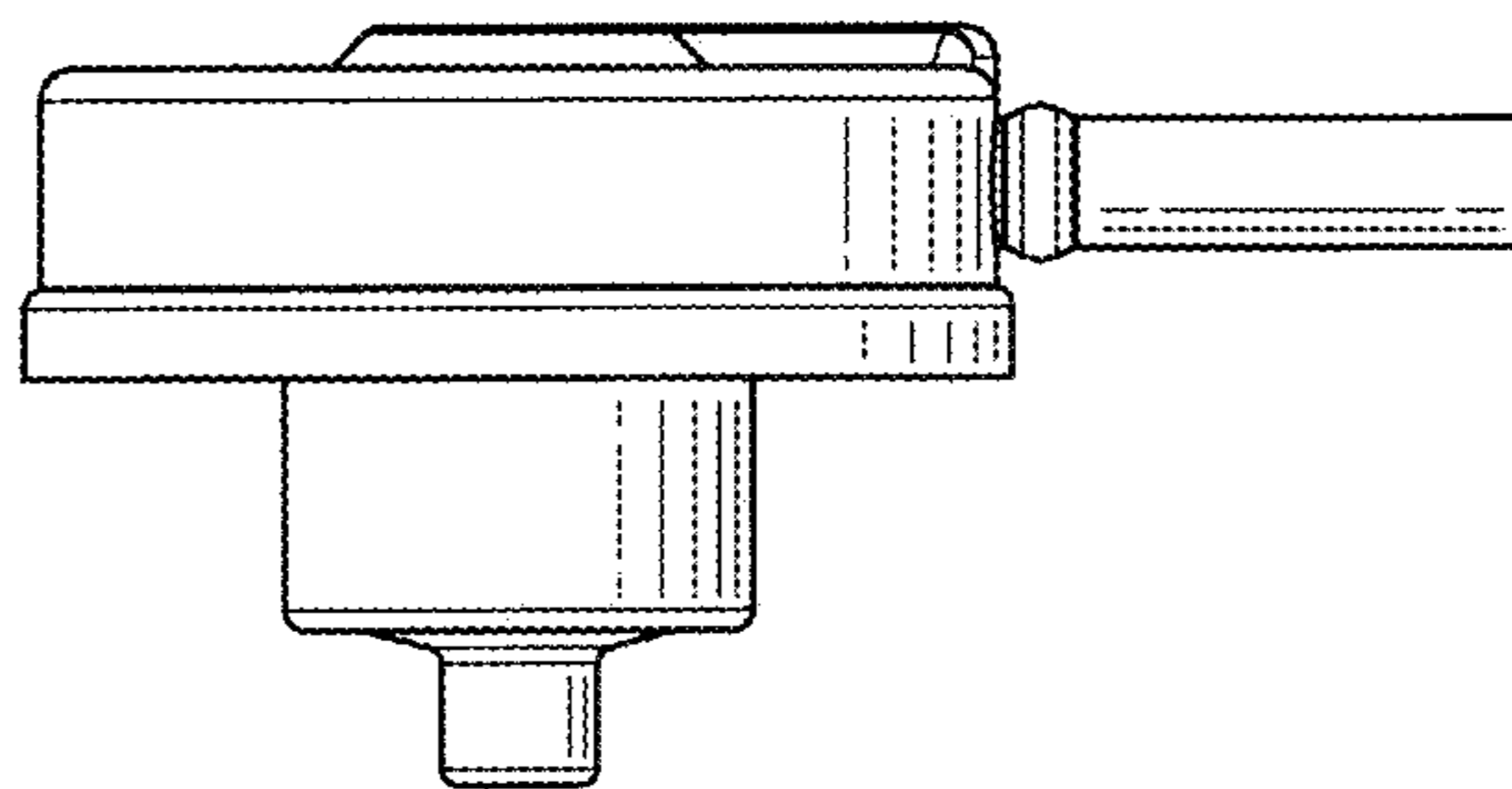


FIG. 5

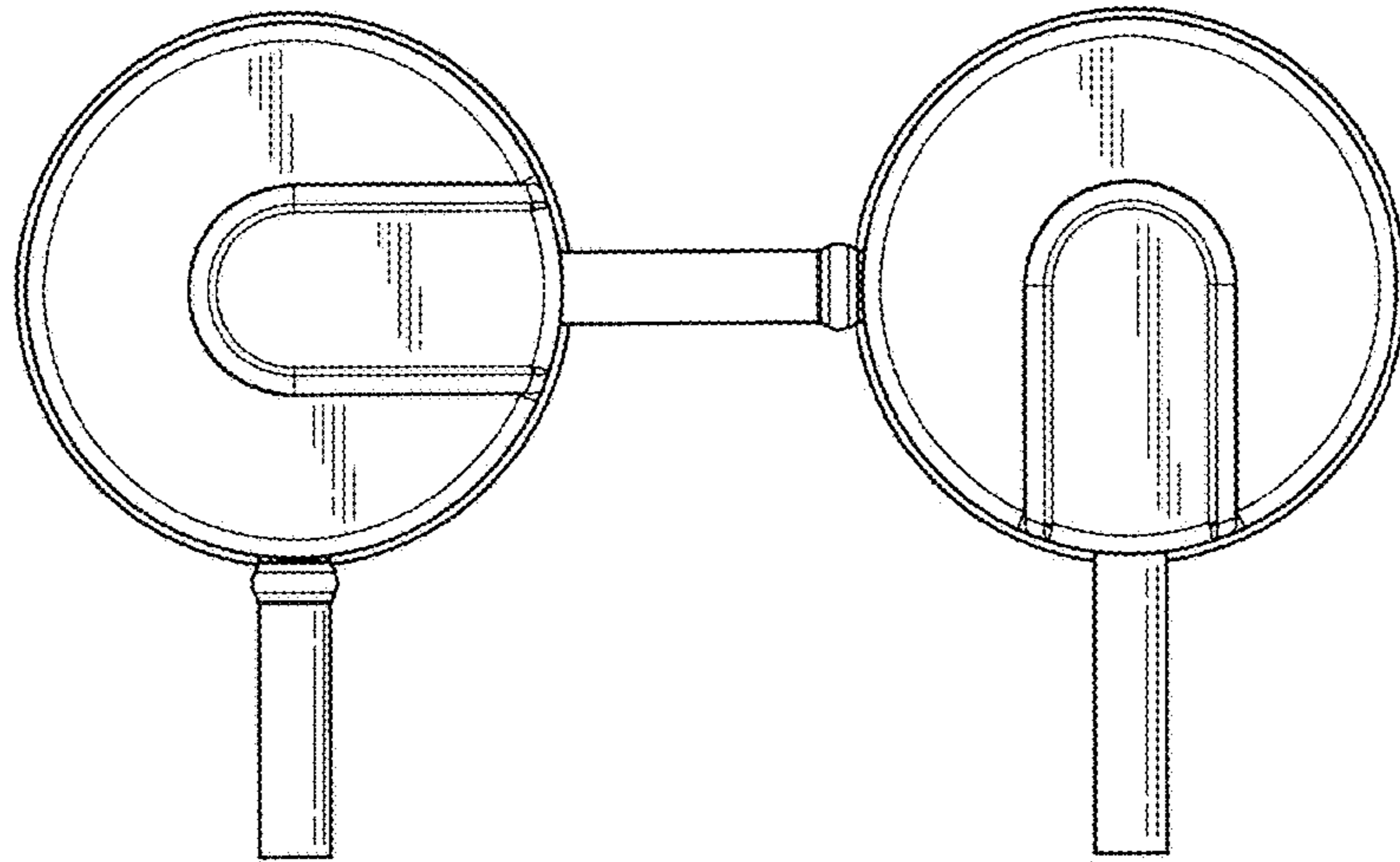


FIG. 6

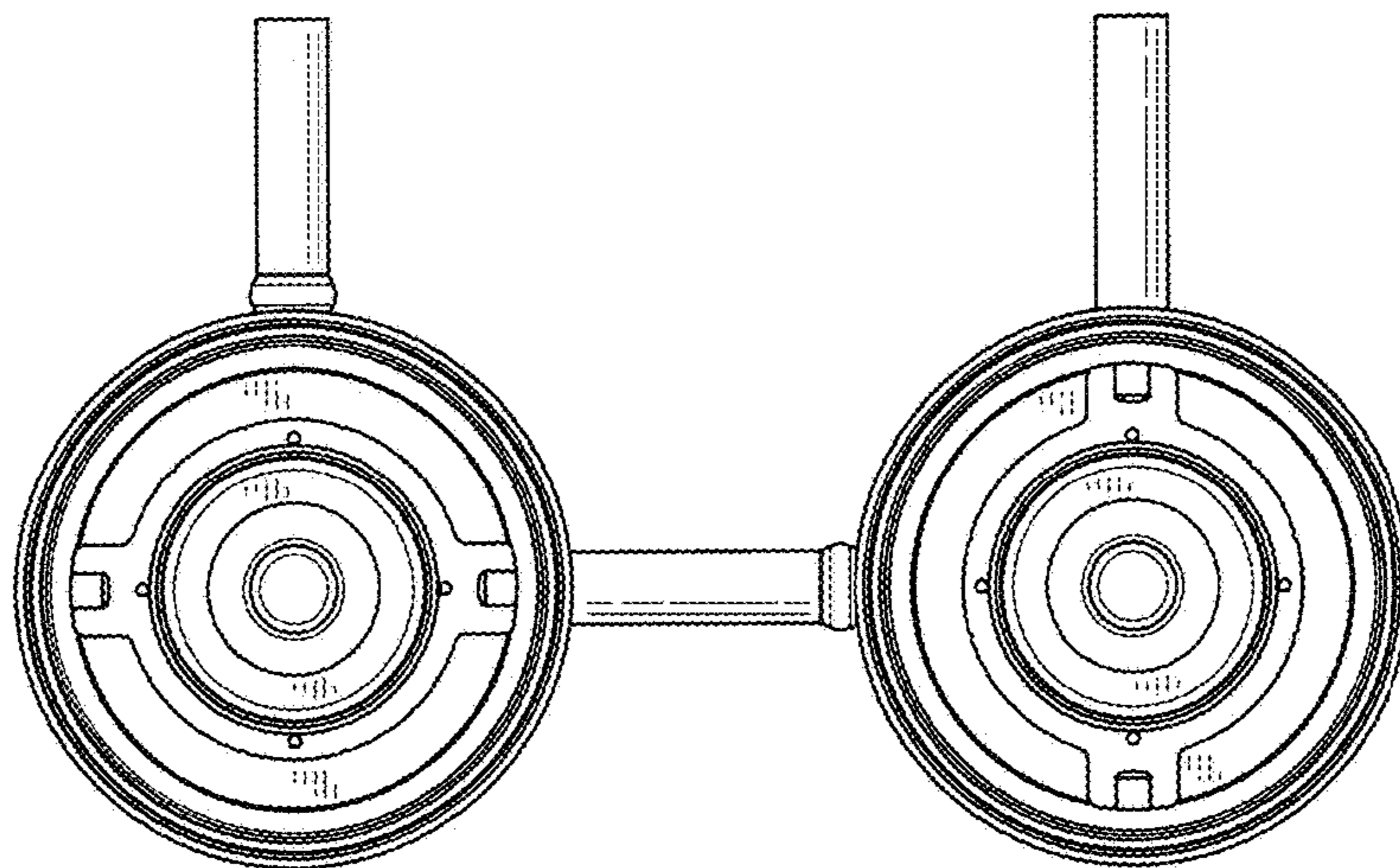


FIG. 7

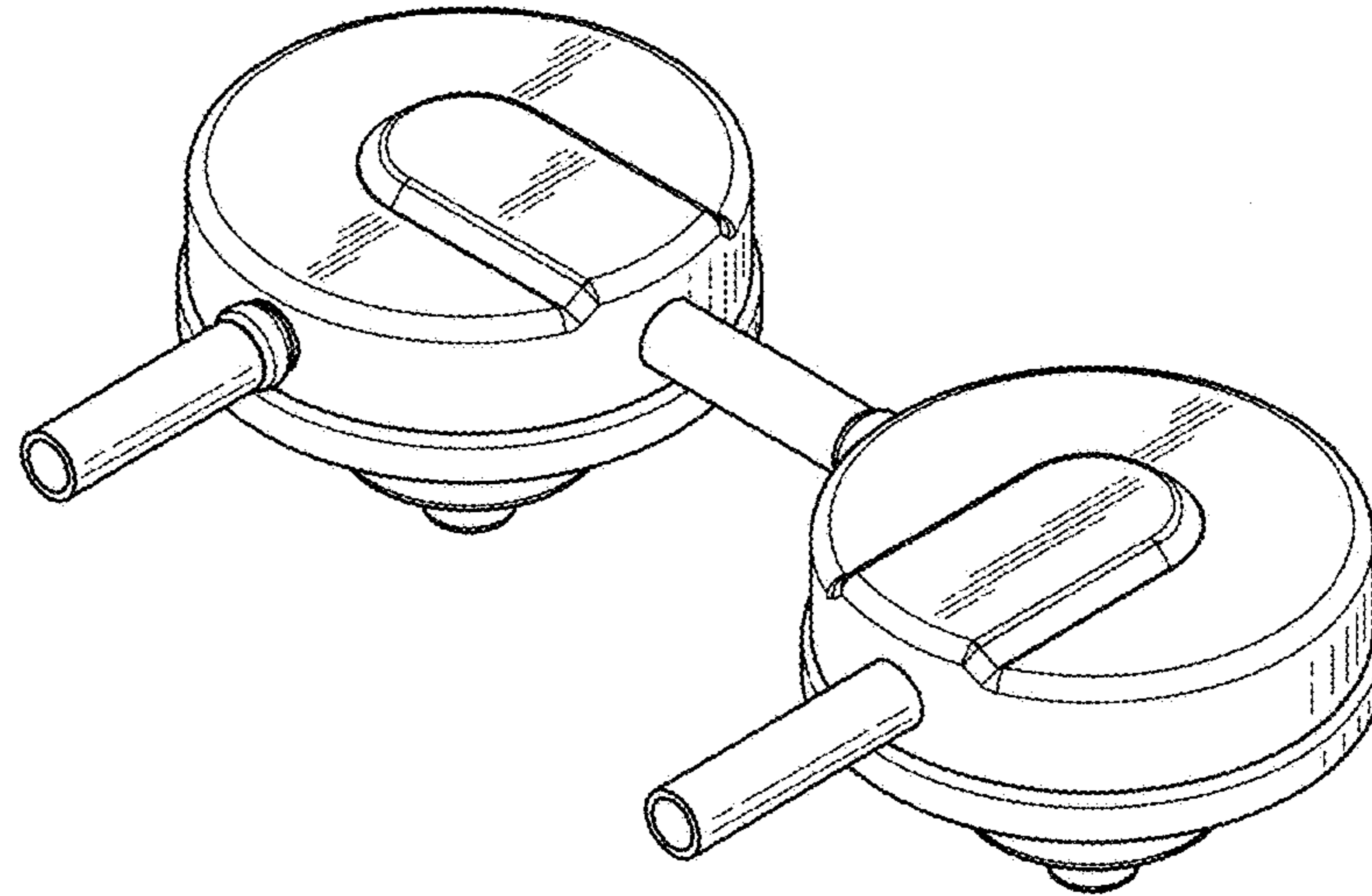


FIG. 8

