



US00D819698S

(12) **United States Design Patent**
Krull

(10) **Patent No.:** **US D819,698 S**
(45) **Date of Patent:** **** Jun. 5, 2018**

- (54) **FILTER ELEMENT**
- (71) Applicant: **Timothy L. Krull**, Kearney, NE (US)
- (72) Inventor: **Timothy L. Krull**, Kearney, NE (US)
- (73) Assignee: **Baldwin Filters, Inc.**, Kearney, NE (US)
- (**) Term: **15 Years**
- (21) Appl. No.: **29/613,366**
- (22) Filed: **Aug. 9, 2017**

- D473,637 S 4/2003 Golden
- D484,584 S 12/2003 Anderson et al.
- 6,852,141 B2 2/2005 Bishop et al.
- 6,966,940 B2 11/2005 Krisko et al.
- 7,217,361 B2 5/2007 Connor et al.
- 7,323,029 B2 1/2008 Engelland et al.
- 7,396,375 B2 7/2008 Nepsund et al.
- 7,396,376 B2 7/2008 Schrage et al.
- 7,569,090 B2 8/2009 Nelson
- 7,655,074 B2 2/2010 Nepsund et al.
- 7,674,308 B2 3/2010 Krisko et al.
- 7,682,416 B2 3/2010 Engelland et al.
- 7,713,321 B2 5/2010 Kuempel et al.
- 7,736,410 B2 6/2010 Kuempel et al.
- 7,753,982 B2 7/2010 Merritt

(Continued)

Related U.S. Application Data

- (62) Division of application No. 29/546,244, filed on Nov. 20, 2015, now Pat. No. Des. 798,907.
- (51) **LOC (11) Cl.** **15-01**
- (52) **U.S. Cl.**
USPC **D15/5; D23/365**
- (58) **Field of Classification Search**
USPC D15/1-6; D23/365, 209, 363, 358, 386,
D23/354, 341, 364
CPC F01M 13/00; F01M 2013/0038
See application file for complete search history.

FOREIGN PATENT DOCUMENTS

- WO WO 2009/039285 A1 3/2009
- Primary Examiner* — T. Chase Nelson
- Assistant Examiner* — Ania Aman
- (74) *Attorney, Agent, or Firm* — Reinhart Boerner Van Deuren P.C.

(57) **CLAIM**

I claim the ornamental design for the filter element, as shown and described.

(56) **References Cited**

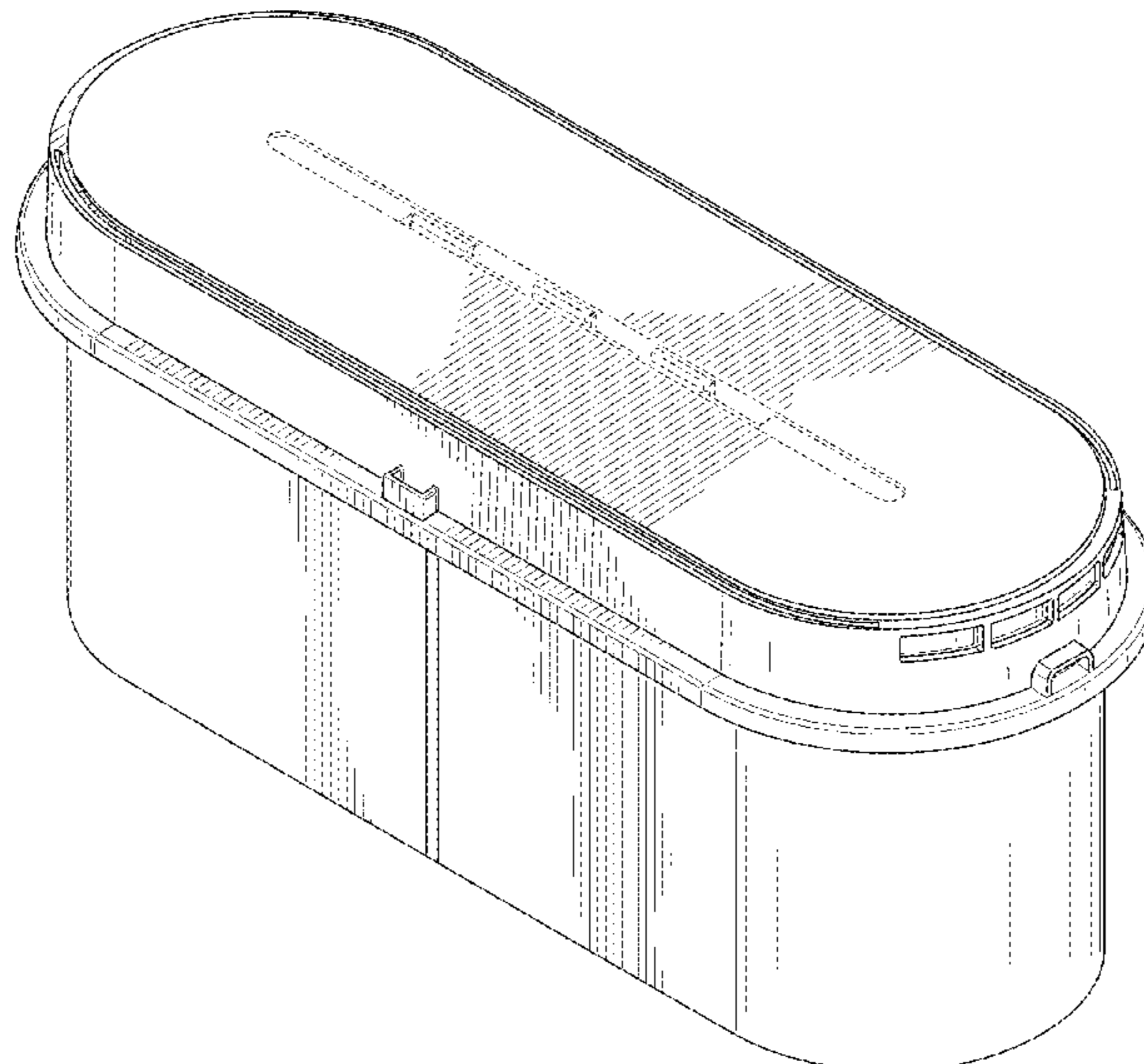
U.S. PATENT DOCUMENTS

- D437,402 S 2/2001 Gieseke et al.
- 6,190,432 B1 2/2001 Gieseke et al.
- 6,210,469 B1 4/2001 Tokar
- 6,235,195 B1 5/2001 Tokar
- D450,827 S 11/2001 Gieseke et al.
- D450,828 S 11/2001 Tokar
- 6,348,085 B1 2/2002 Tokar et al.
- D460,169 S 7/2002 Anderson et al.
- D461,003 S 7/2002 Gieseke et al.
- D461,884 S 8/2002 Gieseke et al.
- D466,602 S 12/2002 Gieseke et al.
- 6,517,598 B2 2/2003 Anderson et al.

DESCRIPTION

FIG. 1 is a perspective view of the filter element; FIG. 2 is a side view of the filter element of FIG. 1; FIG. 3 is a side view of the filter element of FIG. 1 showing the side opposite that shown in FIG. 2; FIG. 4 is a back view of the filter element of FIG. 1; FIG. 5 is a front view of the filter element of FIG. 1; FIG. 6 is a top view of the filter element of FIG. 1; and, FIG. 7 is a bottom view of the filter element of FIG. 1. In the drawings, the broken lines depict unclaimed subject matter only and form no part of the claimed design.

1 Claim, 6 Drawing Sheets



(56)

References Cited

U.S. PATENT DOCUMENTS

7,905,936	B2	3/2011	Coulonvaux et al.	
7,931,725	B2	4/2011	Wydeven et al.	
7,967,886	B2	6/2011	Schrage et al.	
8,016,903	B2	9/2011	Nelson et al.	
8,034,145	B2	10/2011	Boehrs et al.	
8,048,187	B2	11/2011	Merritt et al.	
8,048,188	B2	11/2011	Widerski et al.	
8,083,828	B2	12/2011	Smith et al.	
8,157,880	B2	4/2012	Muenkel	
8,192,623	B2	6/2012	Reid et al.	
8,277,532	B2	10/2012	Reichter et al.	
8,608,818	B2	12/2013	Xu et al.	
8,673,043	B2	3/2014	Merritt	
8,741,017	B2	6/2014	Nelson	
8,915,985	B2	12/2014	Dewit et al.	
9,320,997	B2	4/2016	Campbell et al.	
D793,453	S *	8/2017	Krull	D15/5
D794,082	S *	8/2017	Krull	D15/5
2003/0217534	A1 *	11/2003	Krisko	B01D 45/12 55/337
2006/0090434	A1	5/2006	Brown et al.	
2008/0016832	A1	1/2008	Krisko et al.	
2009/0320423	A1	12/2009	Merritt et al.	
2010/0032365	A1	2/2010	Moe et al.	
2010/0242425	A1	9/2010	Swanson et al.	
2011/0041692	A1 *	2/2011	Raether	B01D 46/0068 95/280
2014/0250843	A1 *	9/2014	Krull	B01D 46/0005 55/357

* cited by examiner

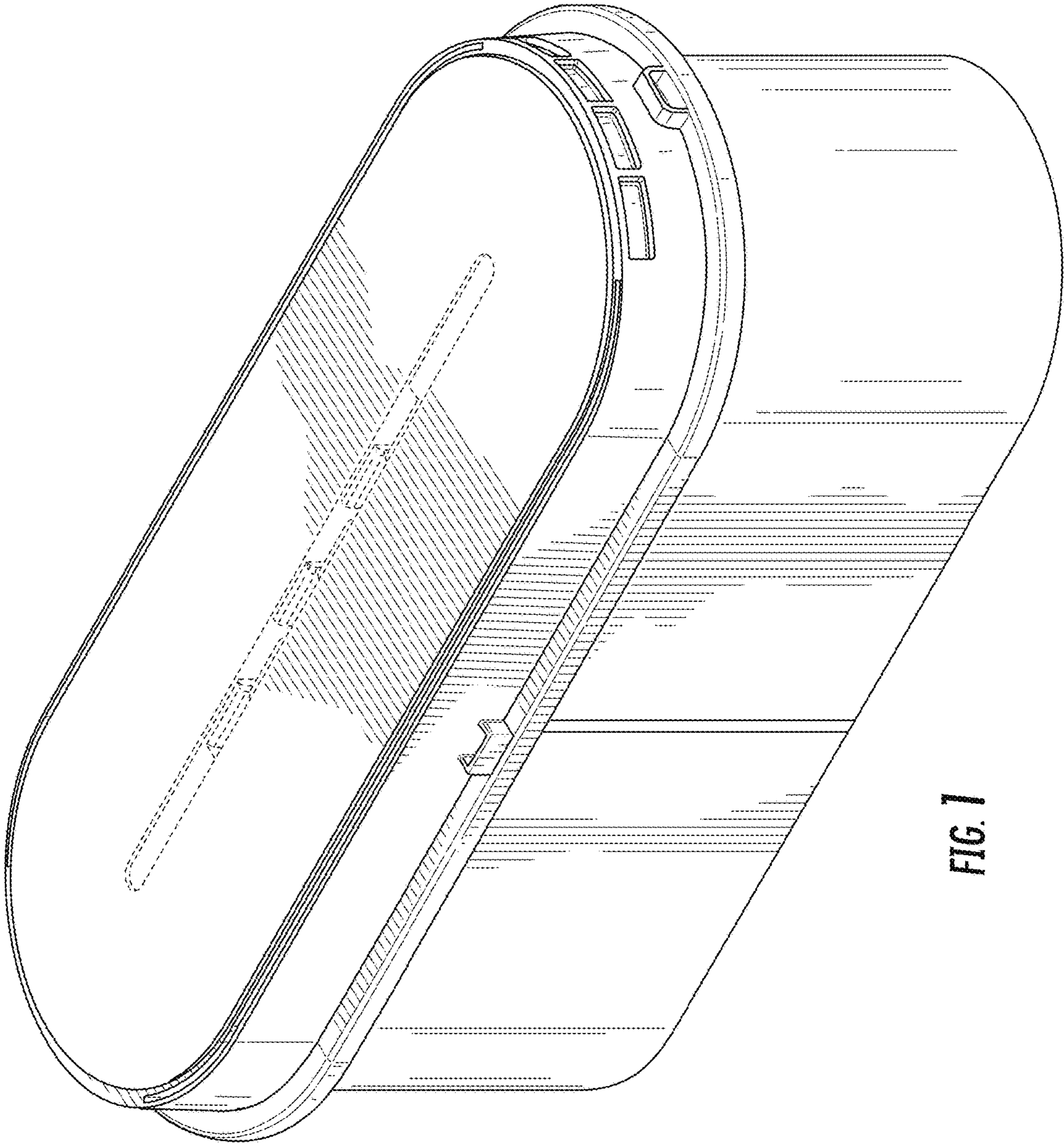


FIG. 1

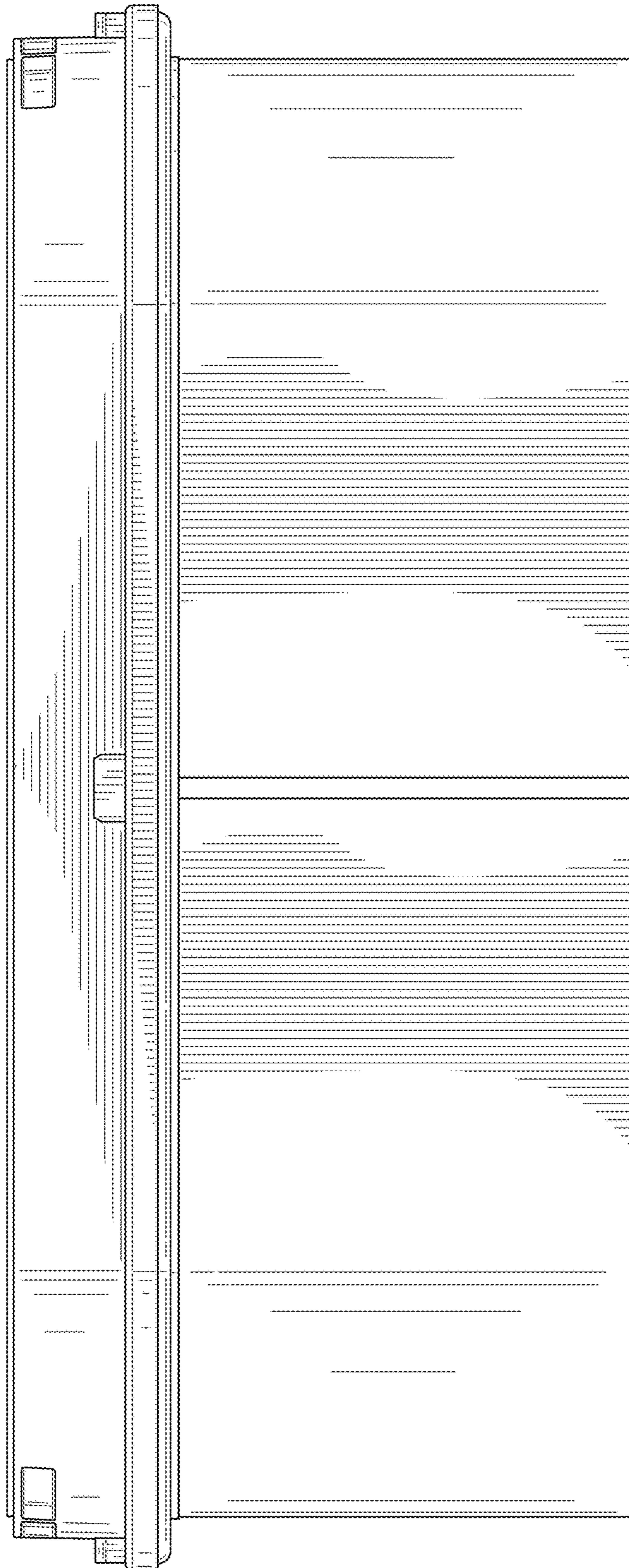


FIG. 2

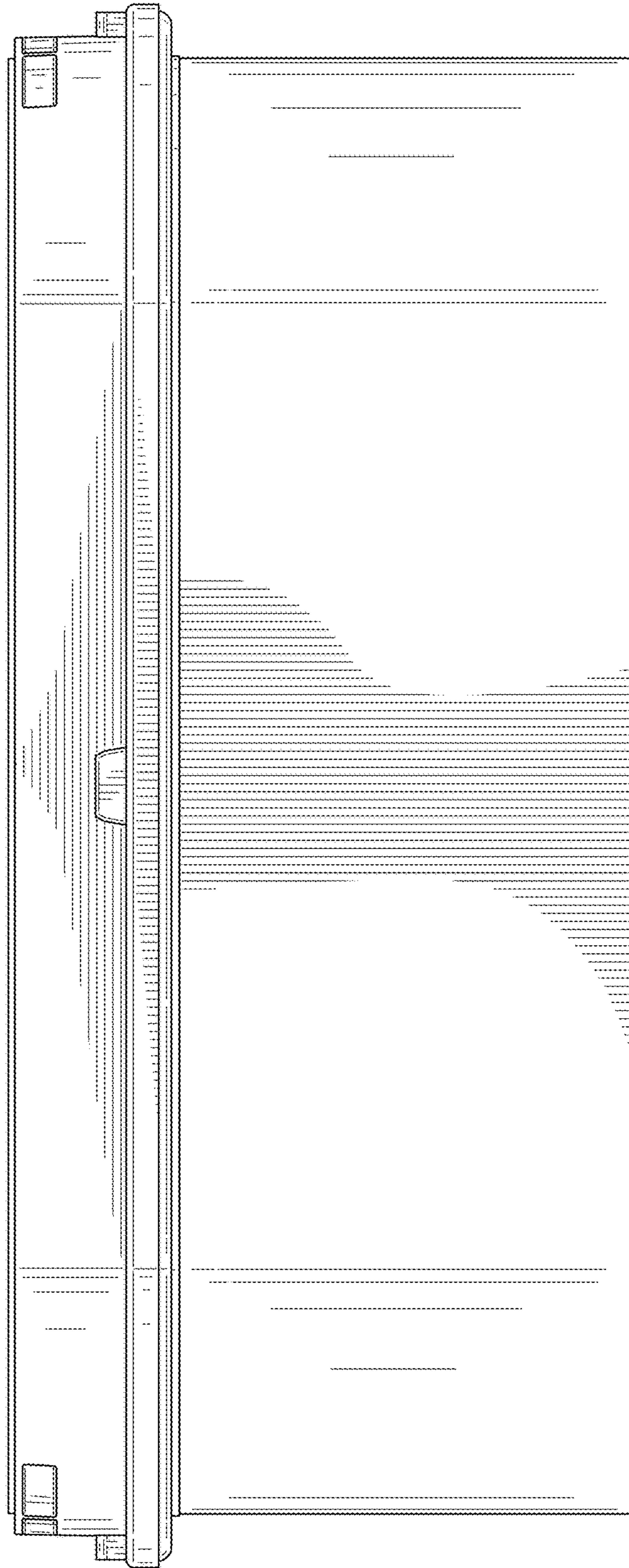


FIG. 3

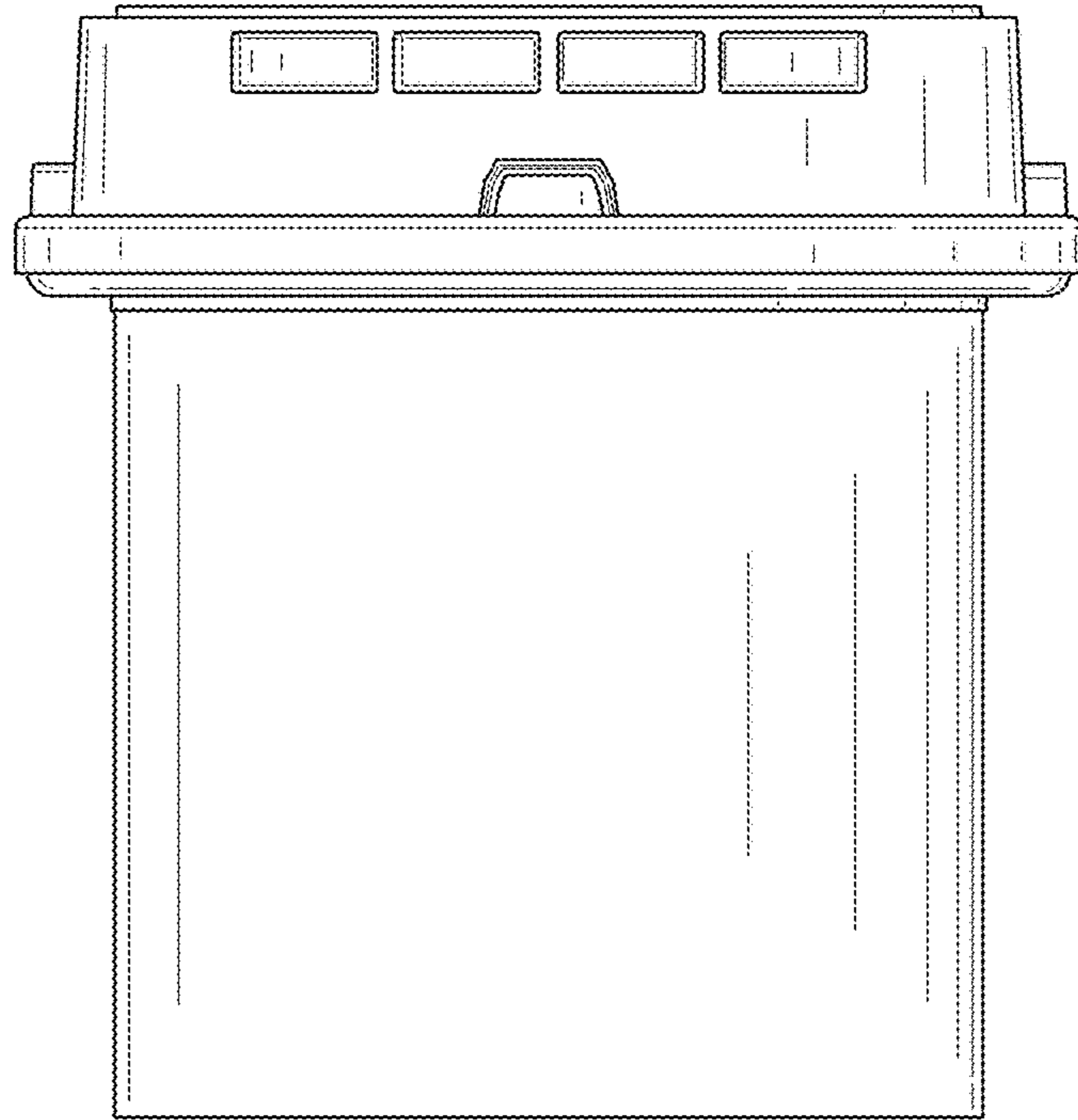


FIG. 4

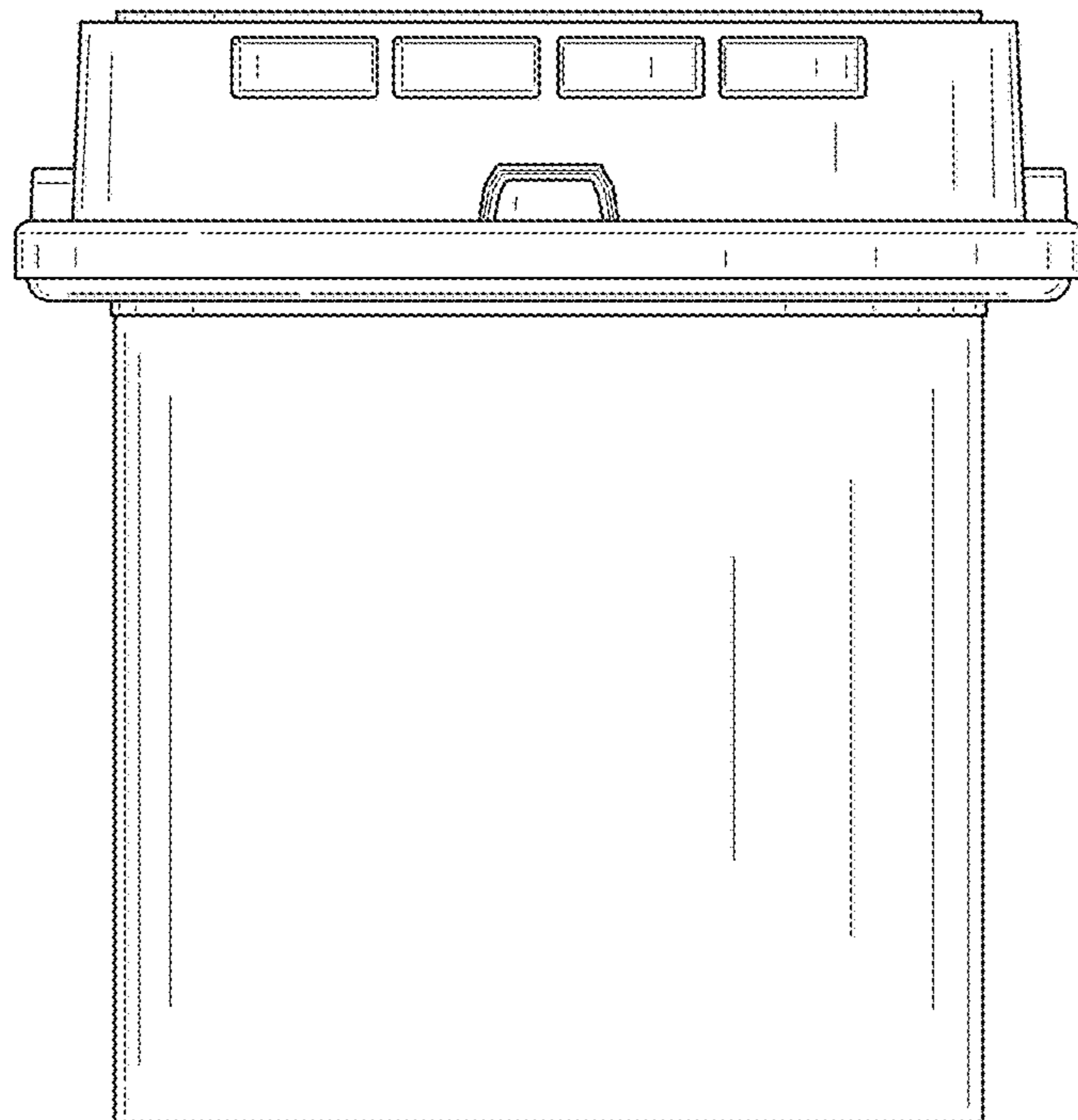


FIG. 5

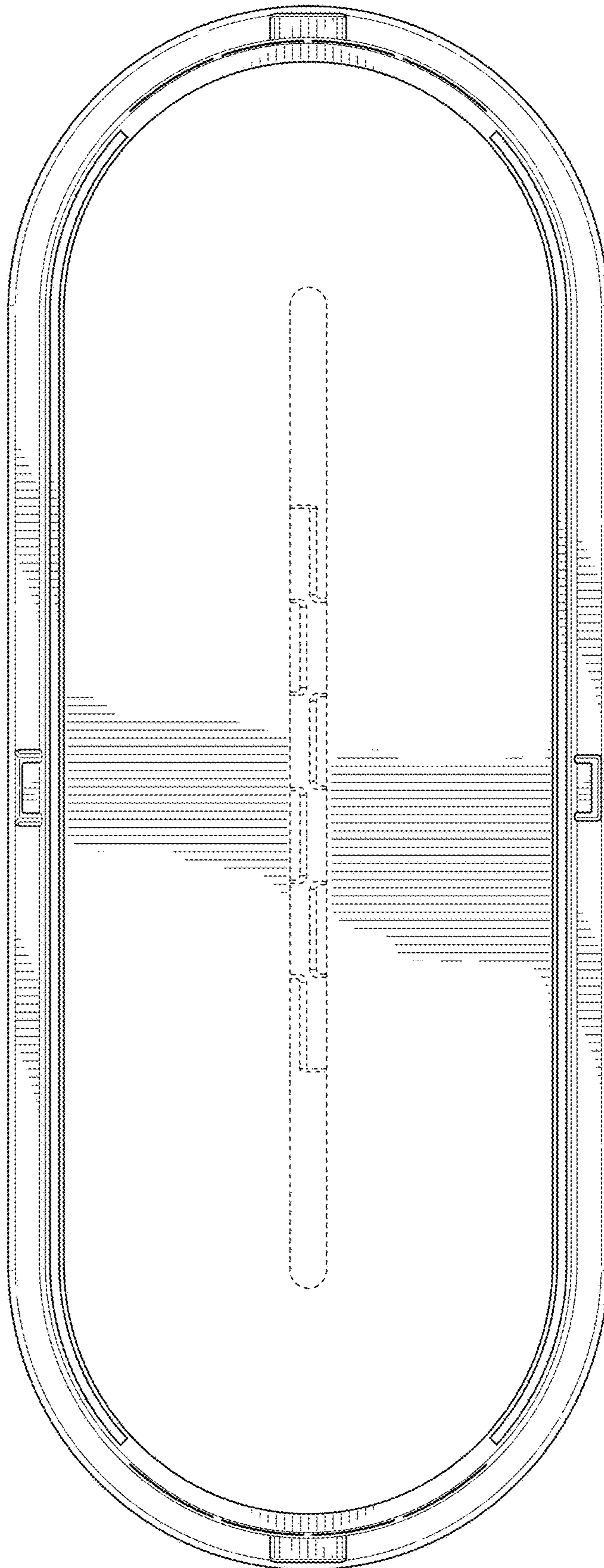


FIG. 6

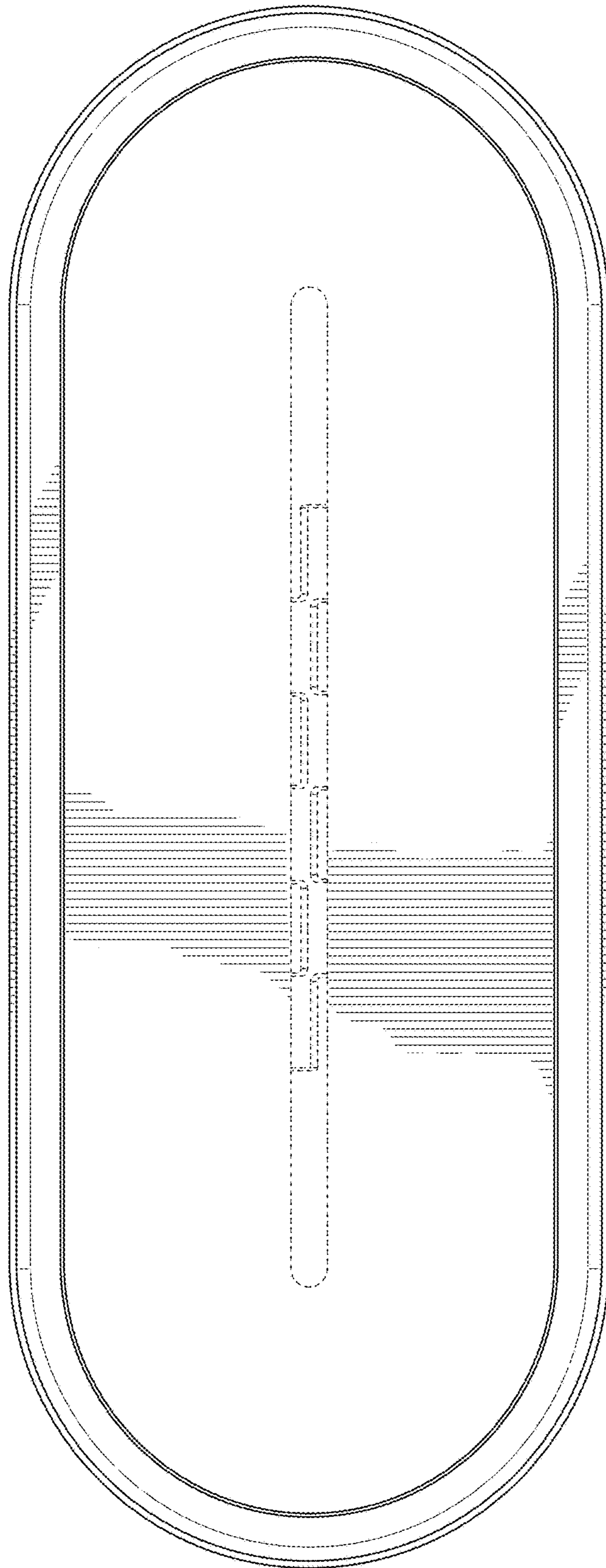


FIG. 7