



US00D819697S

(12) **United States Design Patent**
Rey et al.

(10) **Patent No.:** **US D819,697 S**
(45) **Date of Patent:** **** Jun. 5, 2018**

- (54) **ENGINE BLOWER MOUNT**
- (71) Applicants: **Sergio Rey**, Giron (CO); **Dennis Roudebush**, Noblesville, IN (US)
- (72) Inventors: **Sergio Rey**, Giron (CO); **Dennis Roudebush**, Noblesville, IN (US)
- (**) Term: **15 Years**
- (21) Appl. No.: **29/597,008**
- (22) Filed: **Mar. 13, 2017**
- (51) **LOC (11) Cl.** **15-01**
- (52) **U.S. Cl.**
USPC **D15/5**
- (58) **Field of Classification Search**
USPC D15/5, 12; D8/349, 354, 355, 360, 371, D8/382, 499; D32/15
CPC F04D 29/263; F04D 29/266; F04D 29/281; F04D 29/0405; F04D 29/00; A01M 7/0003; A01M 7/001; A01M 7/0007; A01M 7/0021; A01M 7/0039; A01M 7/00
See application file for complete search history.

- 2011/0020151 A1* 1/2011 Tiefenthaler E01H 1/0809 417/363
- 2017/0167500 A1* 6/2017 Wolf F04D 29/281
- 2017/0241423 A1* 8/2017 Han F04D 25/0673
- 2017/0288505 A1* 10/2017 Ionele H02K 9/06

* cited by examiner

Primary Examiner — T. Chase Nelson

Assistant Examiner — Ania Aman

(74) *Attorney, Agent, or Firm* — James A. Italia; Italia IP

(57) **CLAIM**

The ornamental design for an engine blower mount, as shown and described.

DESCRIPTION

FIG. 1 is a perspective view of the engine blower mount showing my new design;
 FIG. 2 is a perspective you from thereof;
 FIG. 3 is a front view thereof;
 FIG. 4 is a back side view thereof;
 FIG. 5 is a right side view thereof;
 FIG. 6 is a left side view thereof;
 FIG. 7 is a top view thereof; and,
 FIG. 8 is a bottom view thereof.

In the drawings, the broken lines depict unclaimed environmental subject matter only and form no part of the claimed design.

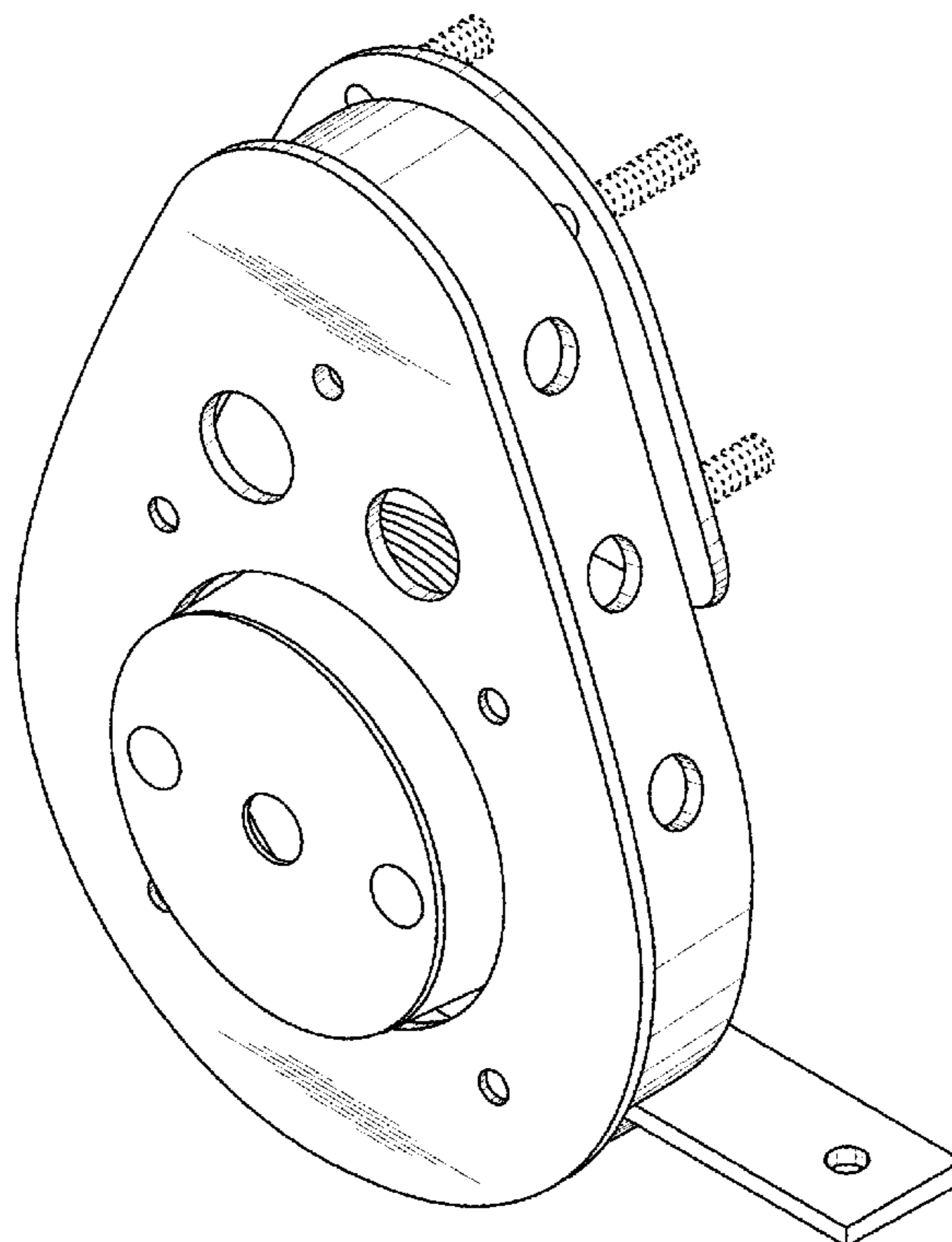
The surface shading illustrated in the drawings is provided merely to highlight the contour of the design; it is not intended to be illustrative of texture or gloss.

(56) **References Cited**

U.S. PATENT DOCUMENTS

- RE33,050 E * 9/1989 Tuggle A47L 5/14 15/330
- 2003/0063974 A1* 4/2003 Hsieh F04D 29/30 416/182
- 2009/0038106 A1* 2/2009 Wada E01H 1/0809 15/326

1 Claim, 6 Drawing Sheets



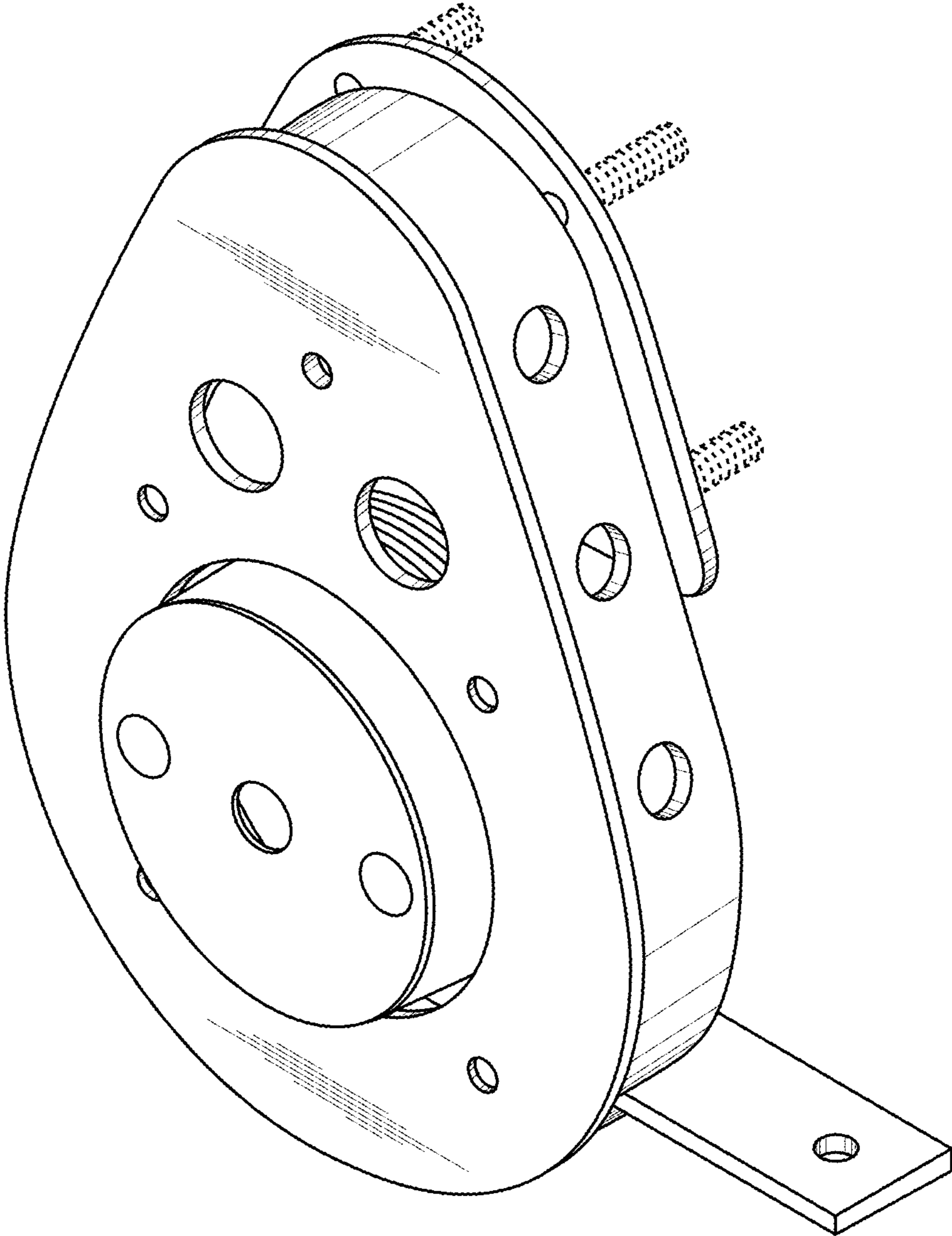


FIG. 1

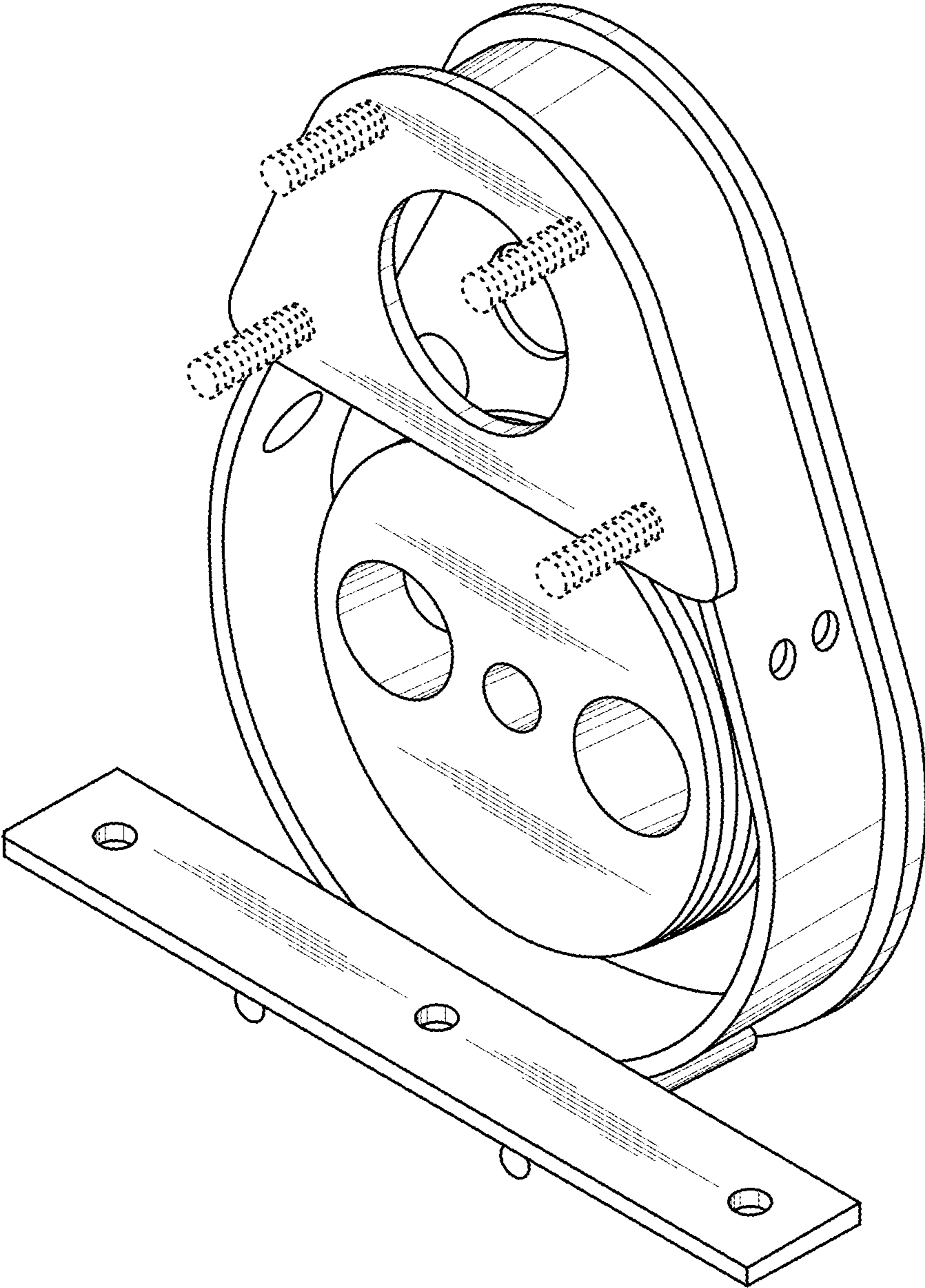


FIG. 2

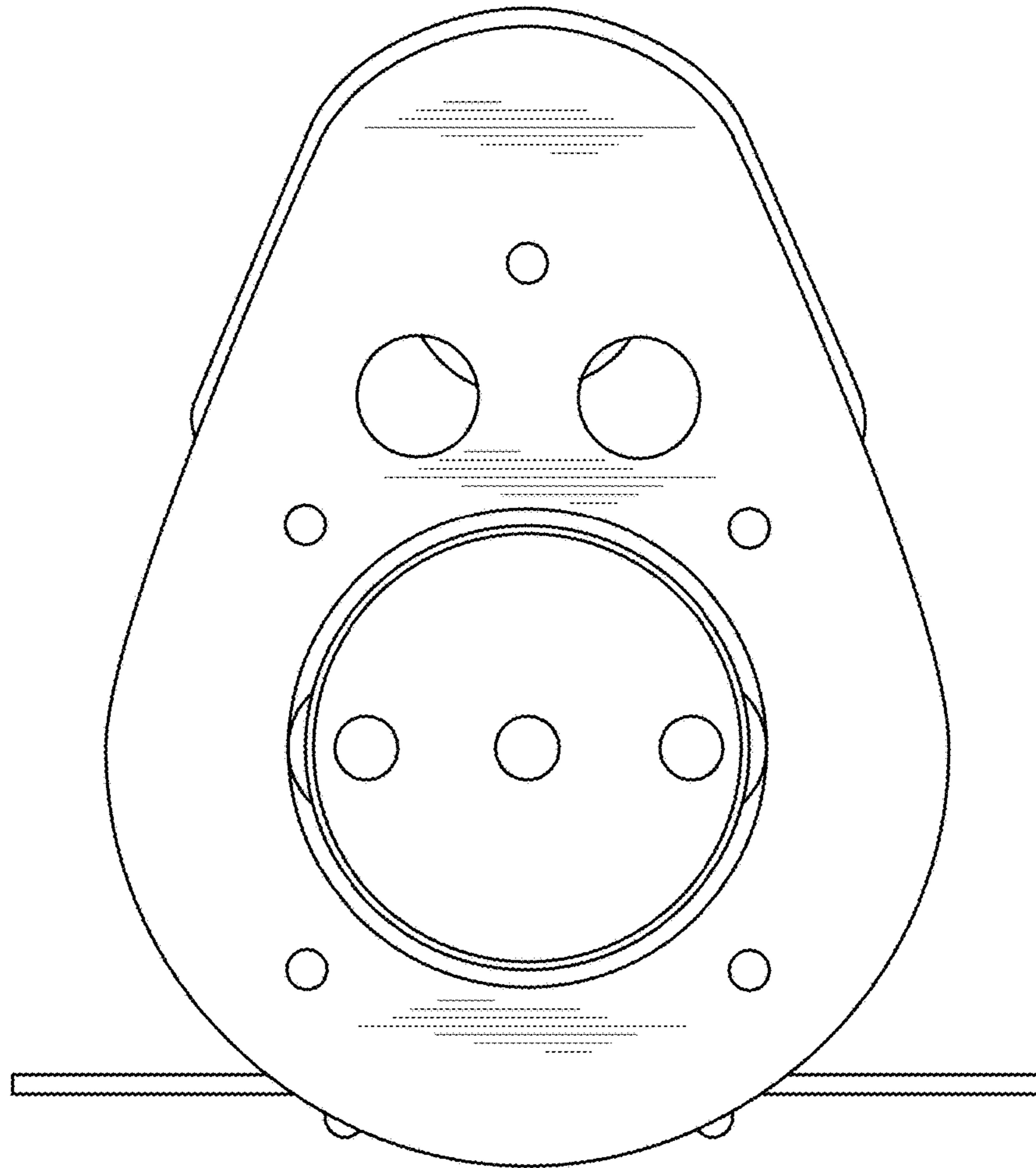


FIG. 3

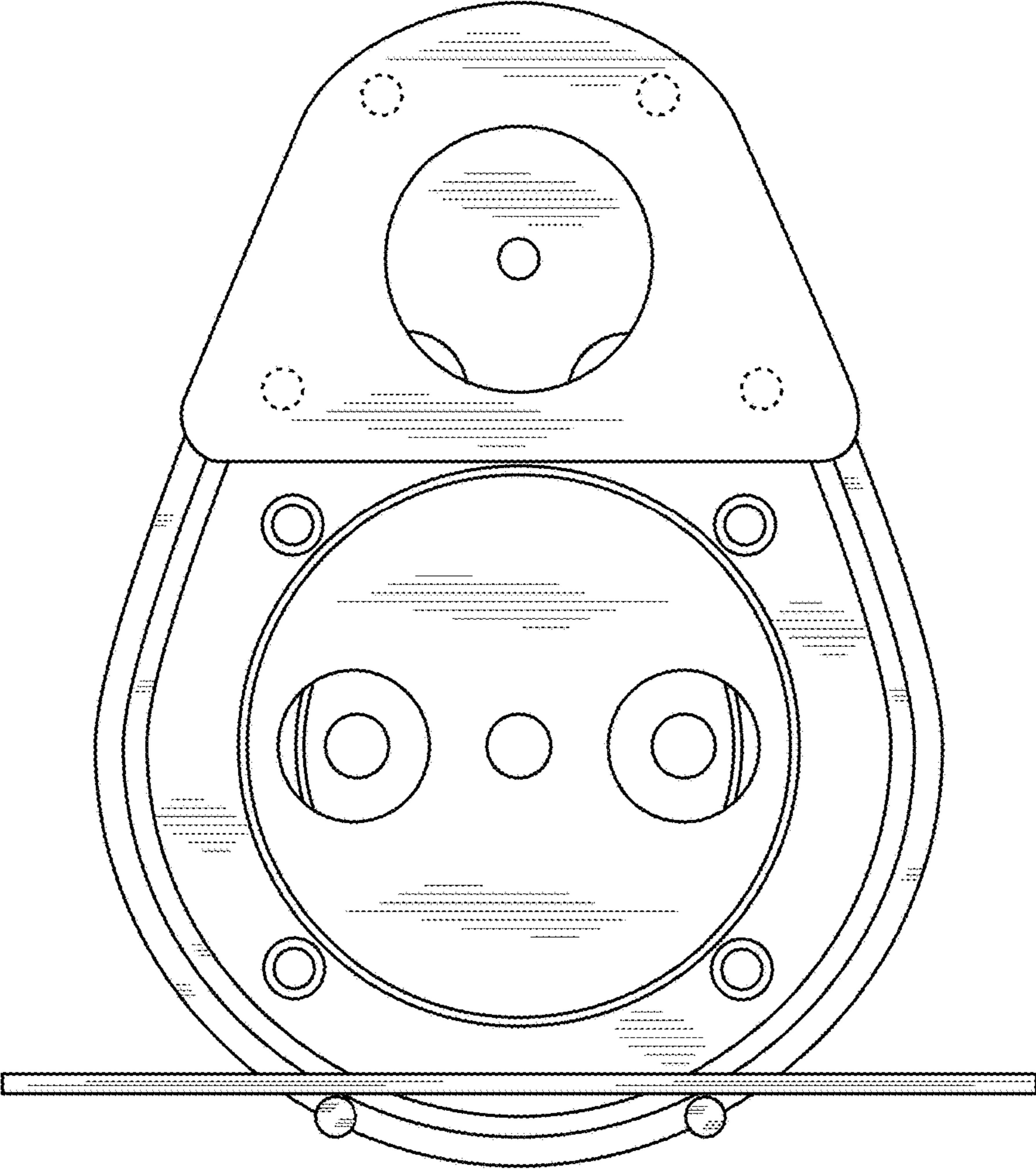


FIG. 4

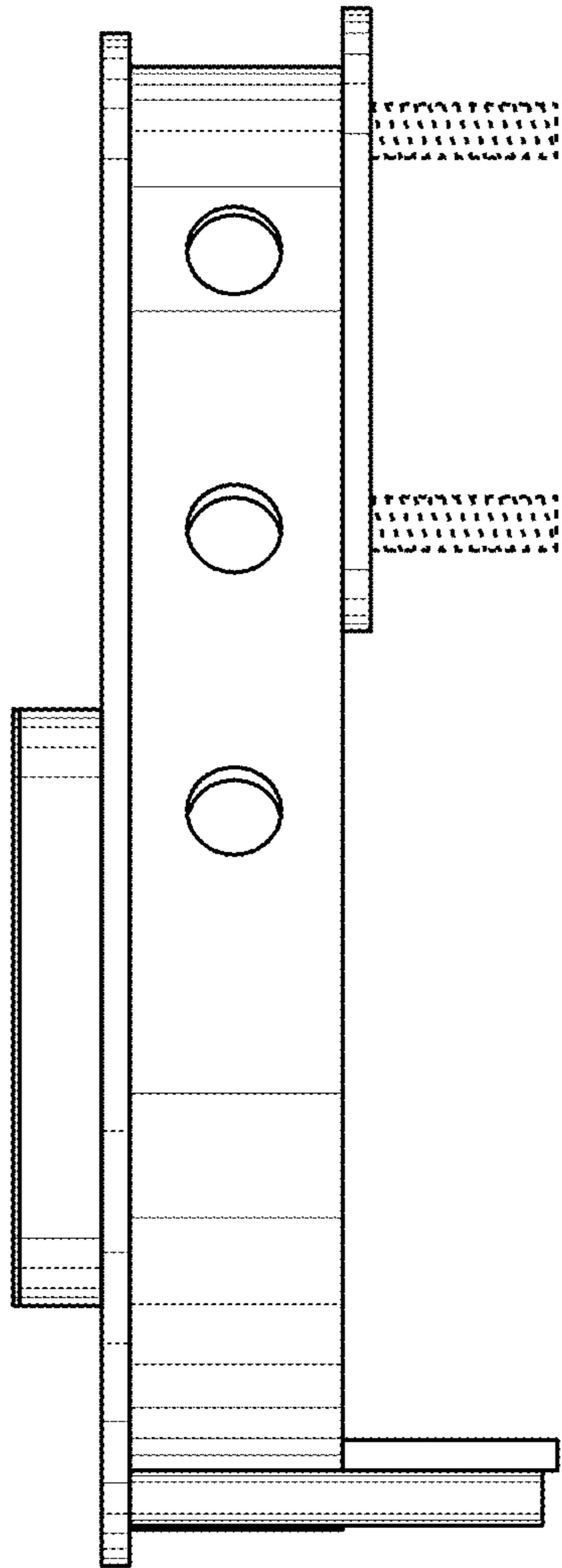


FIG. 5

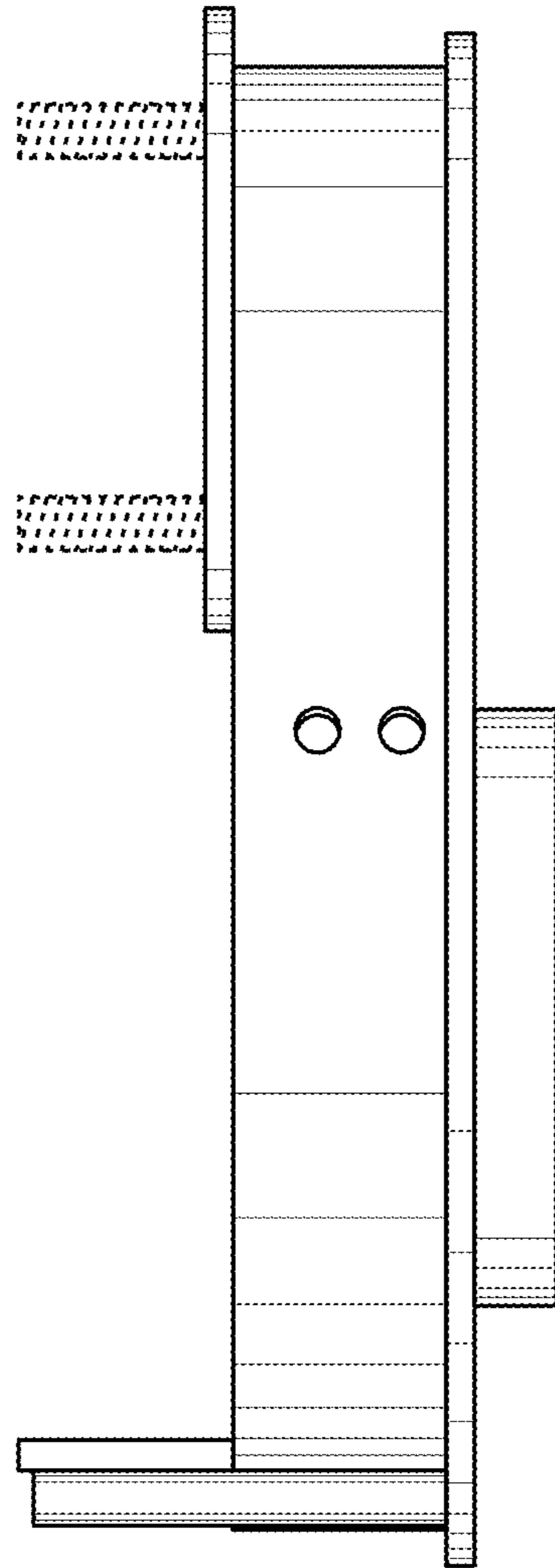


FIG. 6

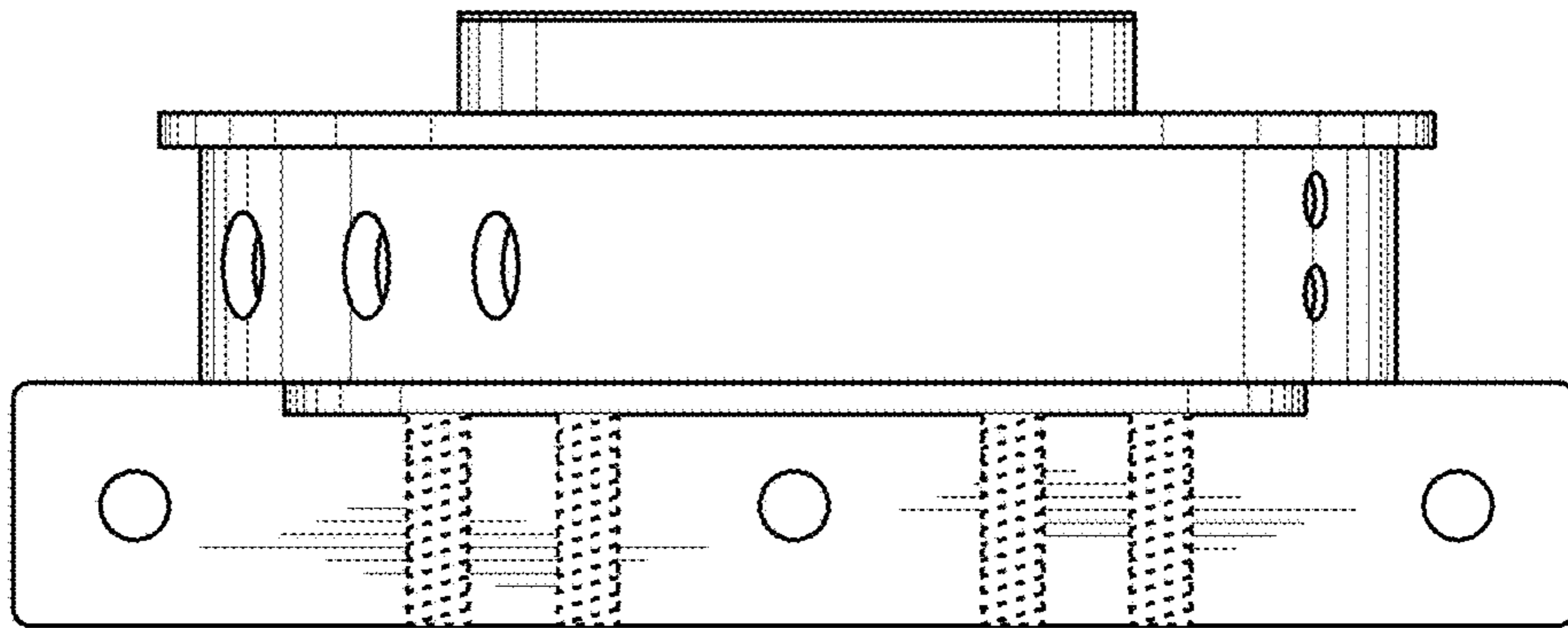


FIG. 7

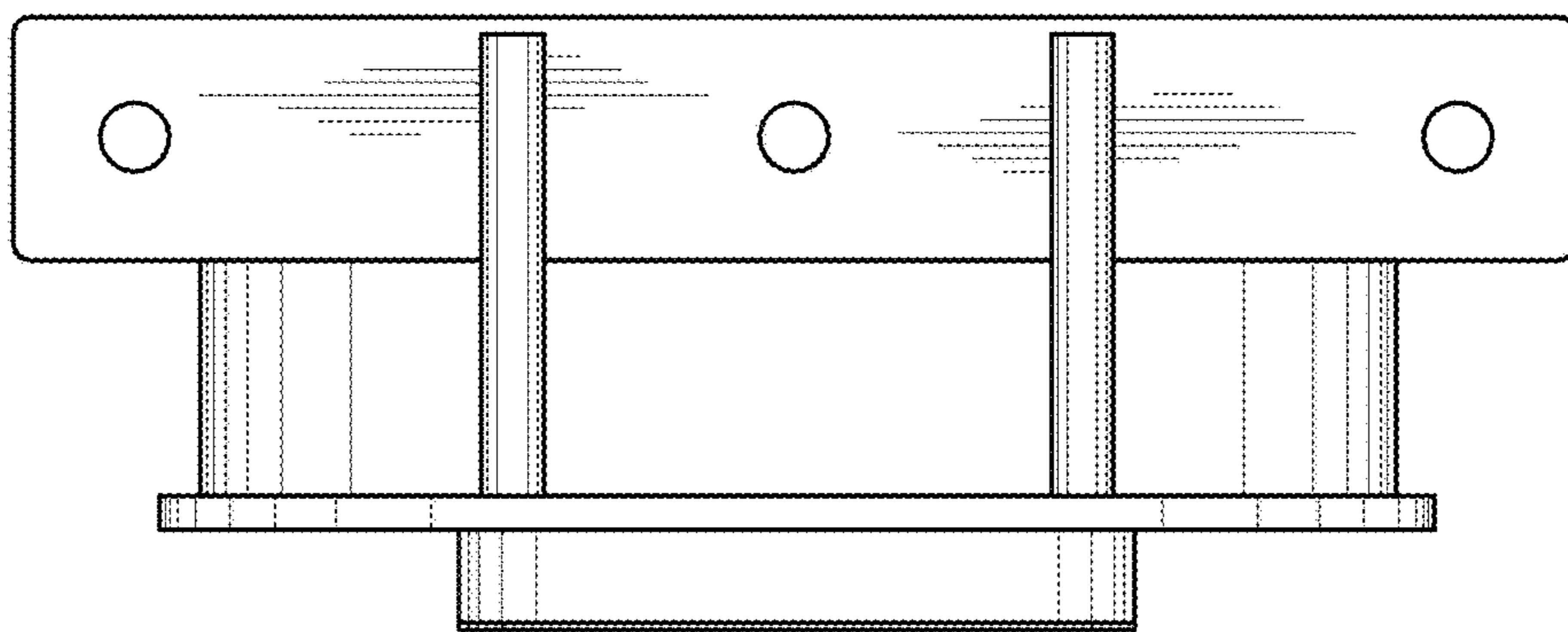


FIG. 8