



US00D819696S

(12) **United States Design Patent**
Ehara et al.

(10) **Patent No.:** **US D819,696 S**
(45) **Date of Patent:** **** Jun. 5, 2018**

(54) **COMPUTER**

(71) Applicant: **NINTENDO CO., LTD.**, Kyoto (JP)

(72) Inventors: **Yui Ehara**, Kyoto (JP); **Yuko Zenri**,
Kyoto (JP); **Junichiro Miyatake**, Kyoto
(JP); **Tetsuya Akama**, Kyoto (JP);
Hitoshi Tsuchiya, Kyoto (JP)

(73) Assignee: **Nintendo Co., Ltd.**, Kyoto (JP)

(**) Term: **15 Years**

(21) Appl. No.: **29/595,213**

(22) Filed: **Feb. 27, 2017**

(30) **Foreign Application Priority Data**

Aug. 30, 2016 (JP) 2016-018388
Aug. 30, 2016 (JP) 2016-018389
Aug. 30, 2016 (JP) 2016-018390

(51) **LOC (11) Cl.** **14-03**

(52) **U.S. Cl.**
USPC **D14/496**; D14/203.7; D21/331

(58) **Field of Classification Search**
USPC D21/324–333; D14/432, 496, 203, 203.7;
273/148 B; 345/156–161, 168, 160, 172
CPC A63F 13/06; A63F 2300/204; A63F 13/92;
H04N 5/232
See application file for complete search history.

(56) **References Cited**

U.S. PATENT DOCUMENTS

6,042,478 A * 3/2000 Ng A63F 13/02
273/148 B
D529,493 S * 10/2006 Ogasawara D14/356
7,711,397 B2 * 5/2010 Kim G06F 1/1616
361/679.01
D620,056 S * 7/2010 Yano D14/345

D638,374 S * 5/2011 Corcoran D13/168
8,105,169 B2 * 1/2012 Ogasawara G06F 1/1624
463/46
D664,601 S * 7/2012 Sogabe D14/356
D692,882 S * 11/2013 Lakraa D14/138 G
D720,342 S * 12/2014 Starrett D14/252
D736,959 S * 8/2015 Edgar, III D25/133
D740,885 S * 10/2015 Nokuo D14/401
D741,952 S * 10/2015 Nokuo D14/401

* cited by examiner

Primary Examiner — Prabhakar G Deshmukh

(74) *Attorney, Agent, or Firm* — Nixon & Vanderhye PC

(57) **CLAIM**

The ornamental design for a computer, as shown and described.

DESCRIPTION

FIG. 1 is a front side perspective view of a computer showing our new design;
FIG. 2 is a back side perspective view thereof;
FIG. 3 is a front view thereof;
FIG. 4 is a back view thereof;
FIG. 5 is a top view thereof;
FIG. 6 is a bottom view thereof;
FIG. 7 is a right view thereof;
FIG. 8 is a left view thereof;
FIG. 9 is a back side perspective view setting a stand thereof;
FIG. 10 is a left view of a right controller thereof;
FIG. 11 is a front view of a right controller thereof;
FIG. 12 is a front view of a left controller thereof;
FIG. 13 is a right view of a left controller thereof;
FIG. 14 is a front view of a main body thereof;
FIG. 15 is a right view of a main body thereof; and,
FIG. 16 is a left view of a main body thereof.

1 Claim, 16 Drawing Sheets

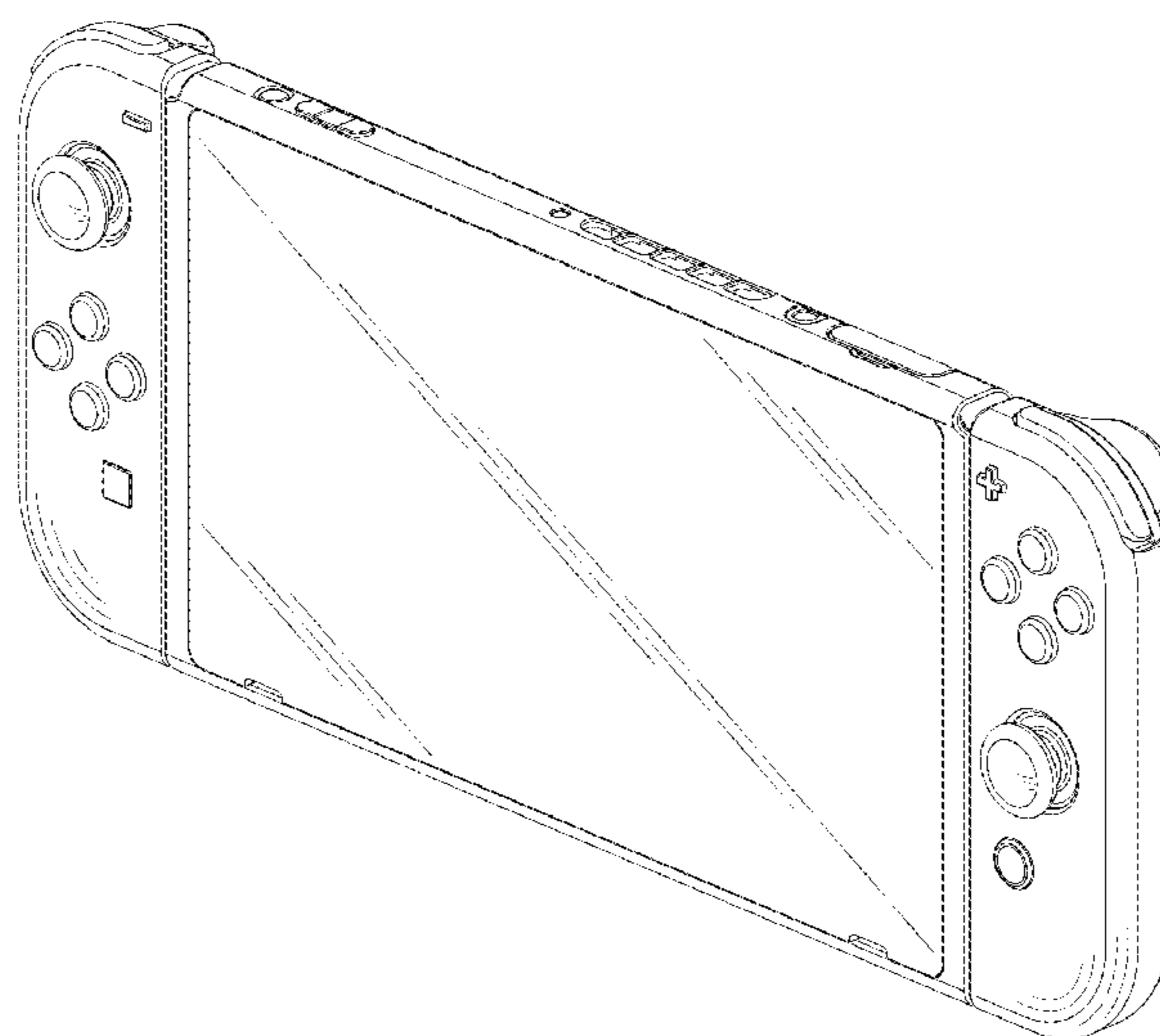


Fig. 1

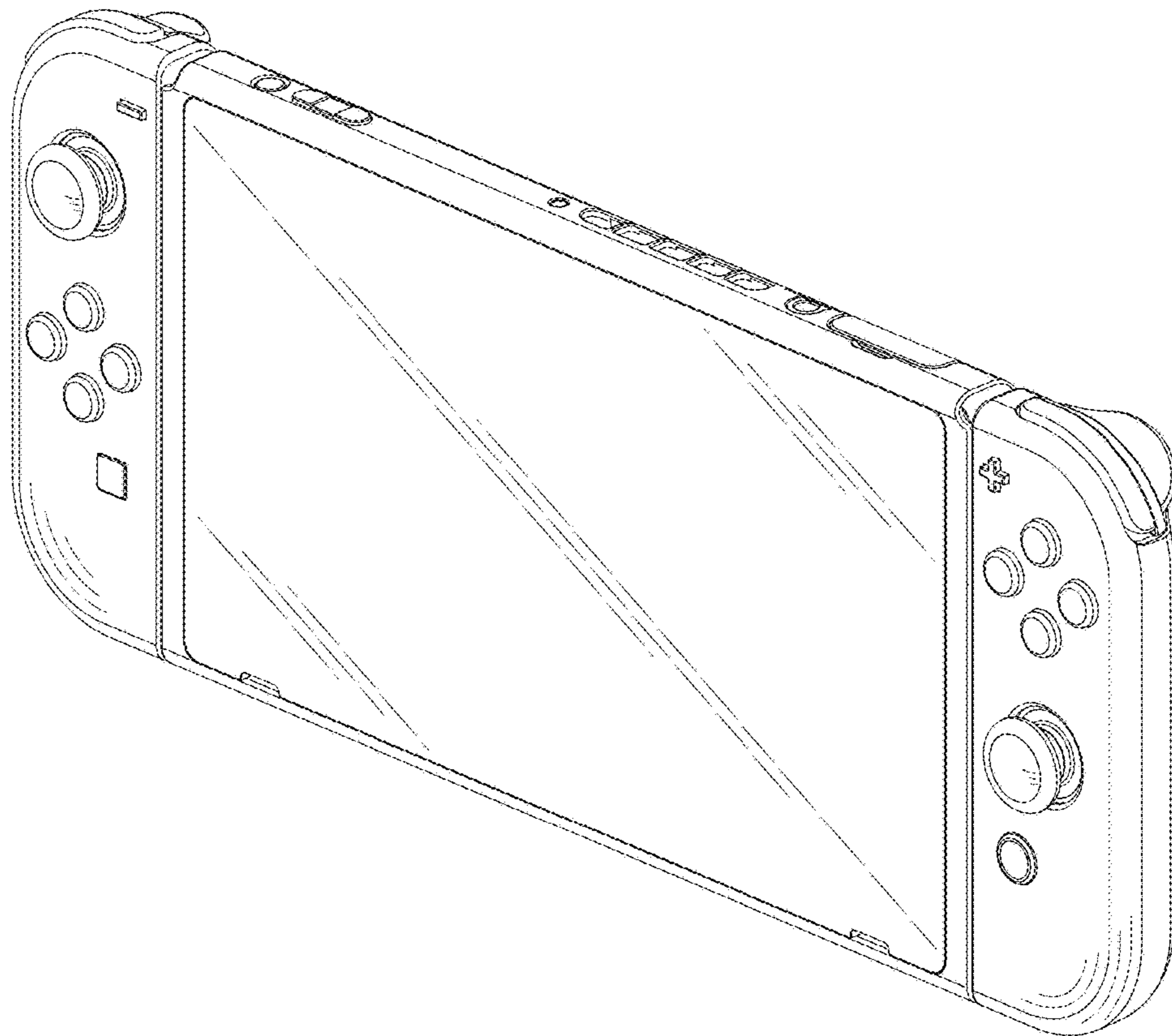


Fig. 2

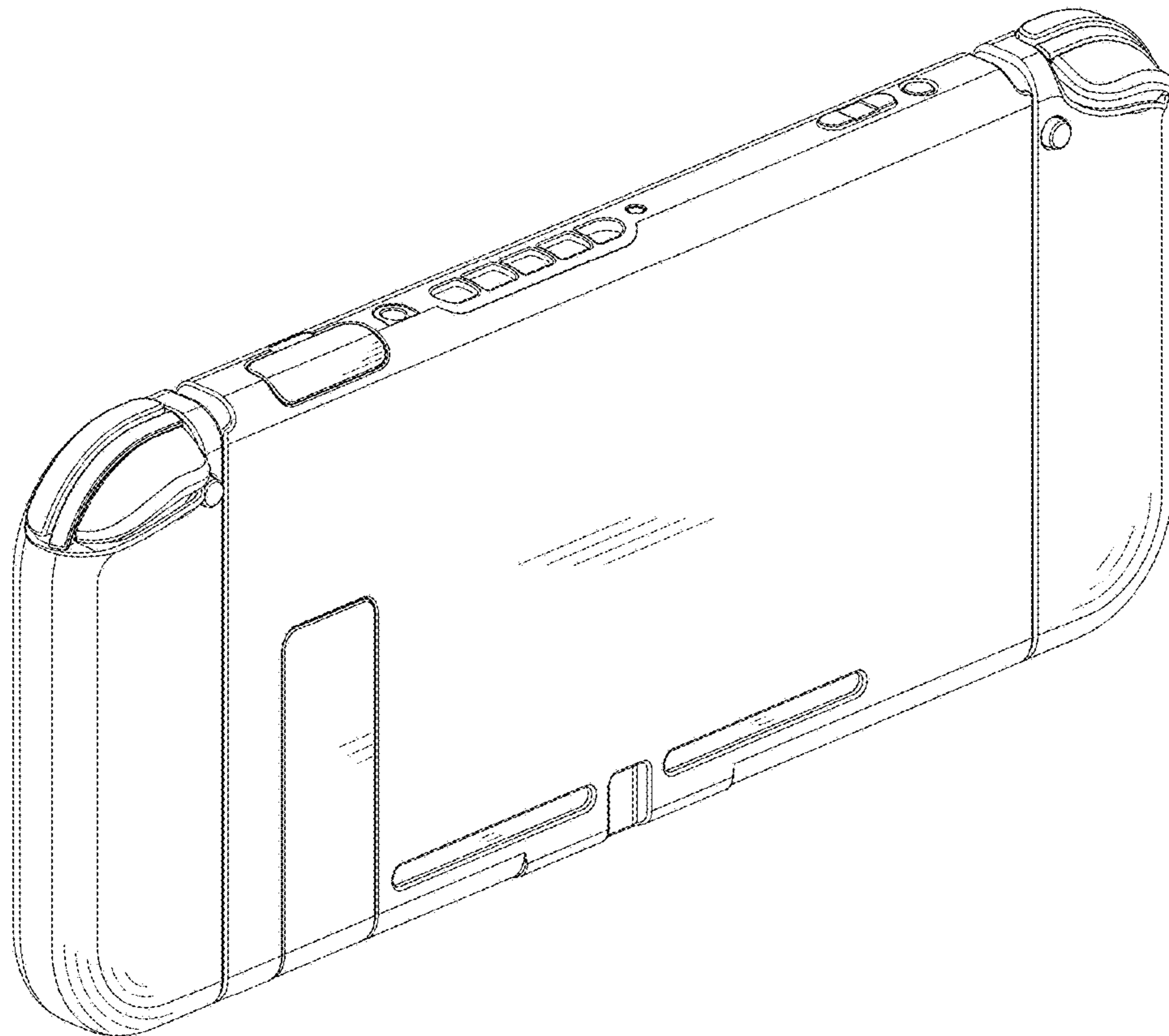


Fig. 3

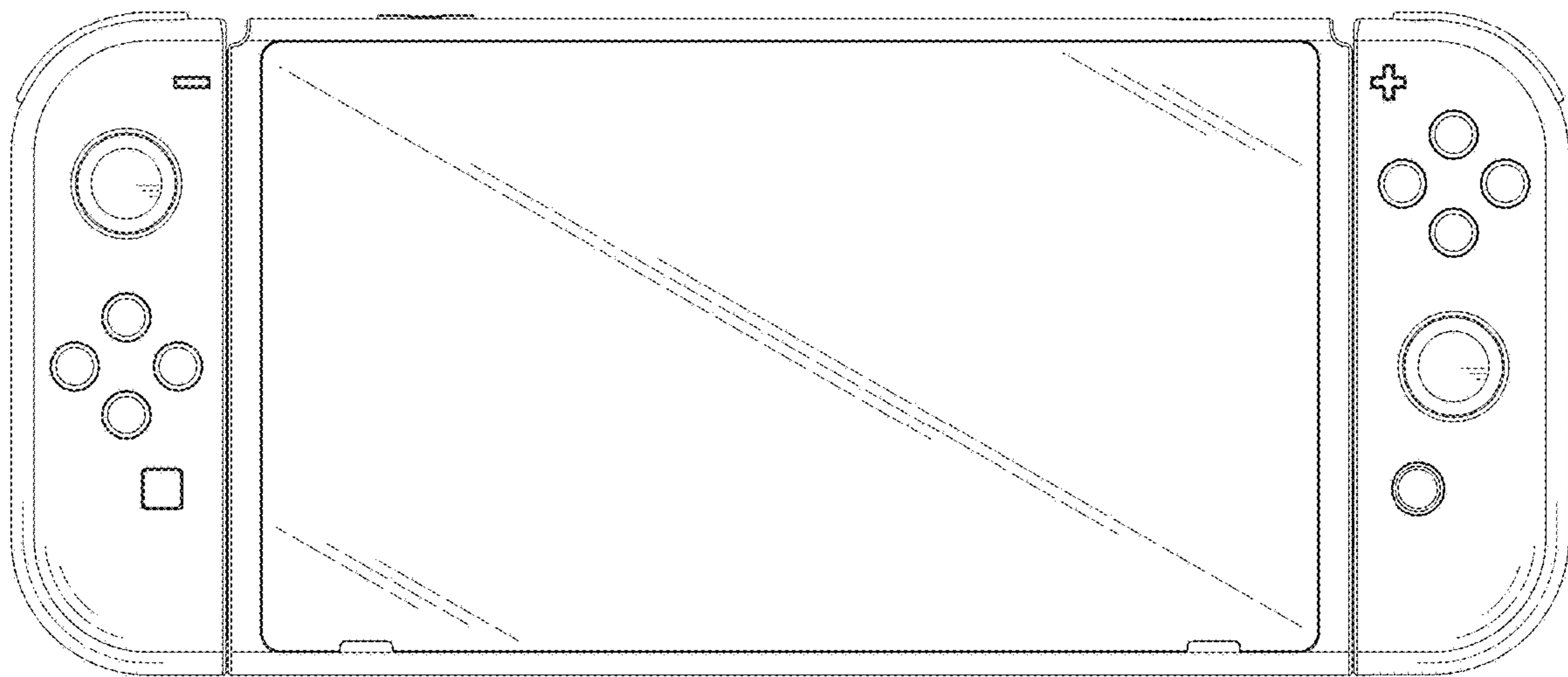


Fig. 4

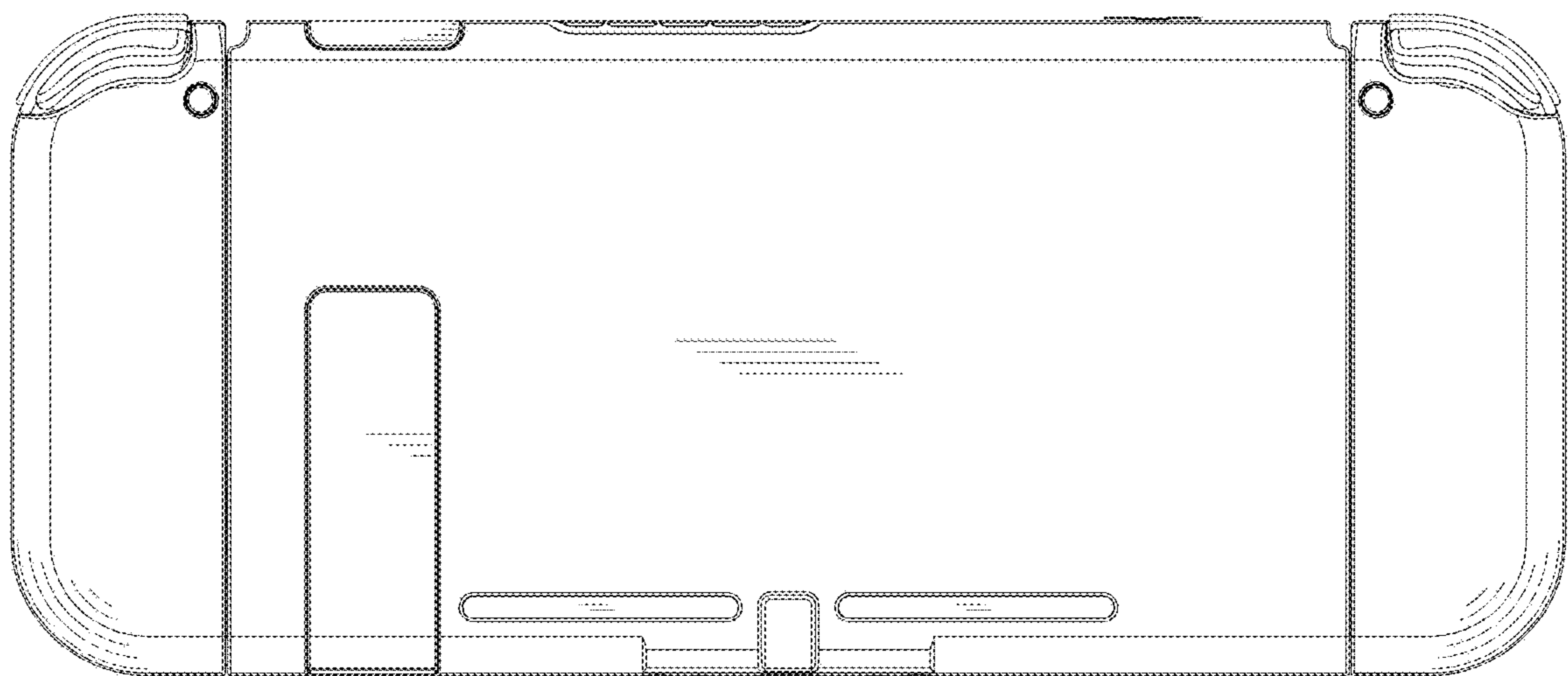


Fig.5

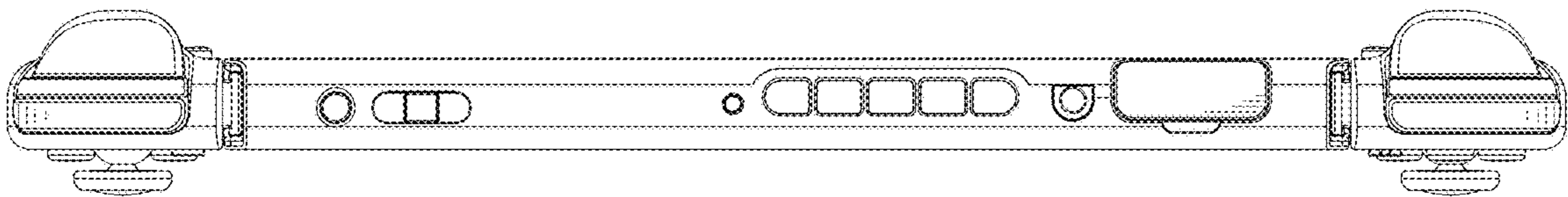


Fig. 6

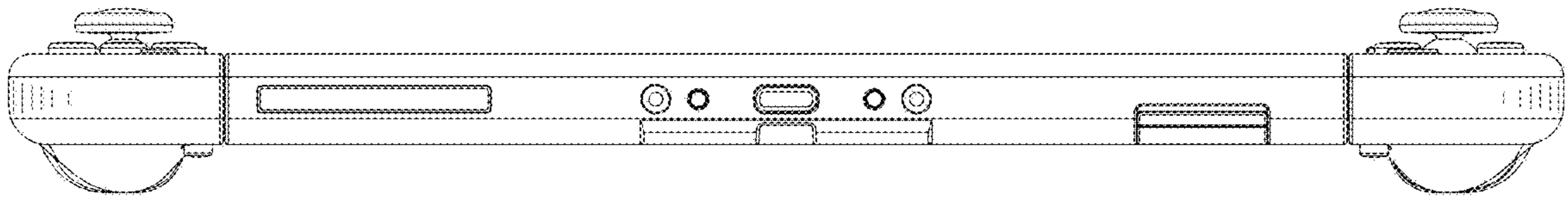


Fig. 7

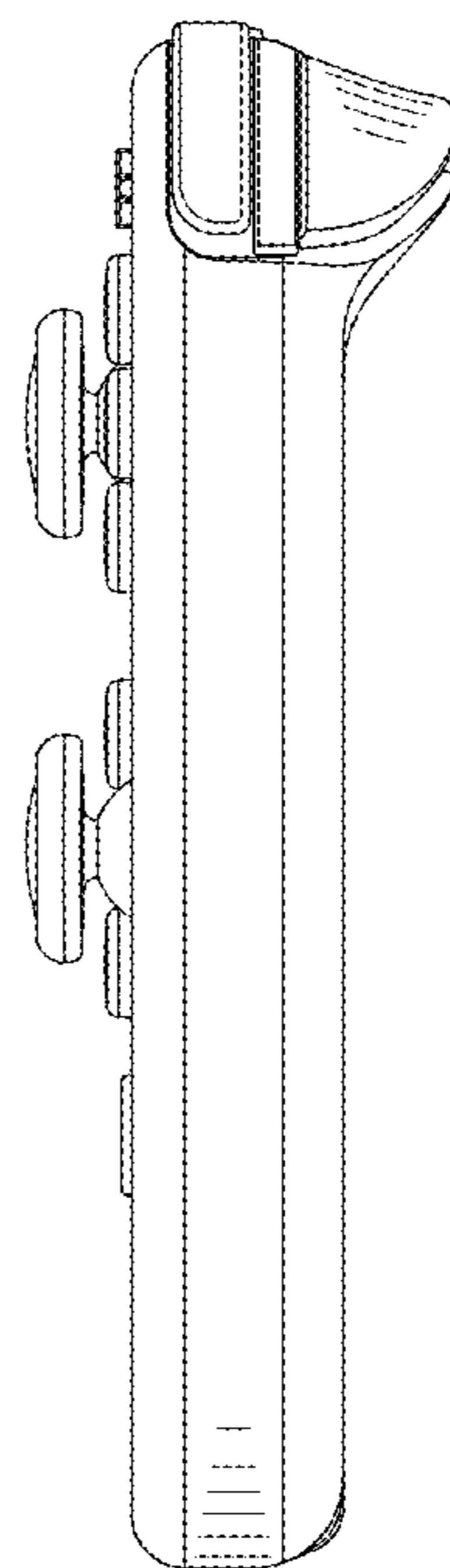


Fig. 8

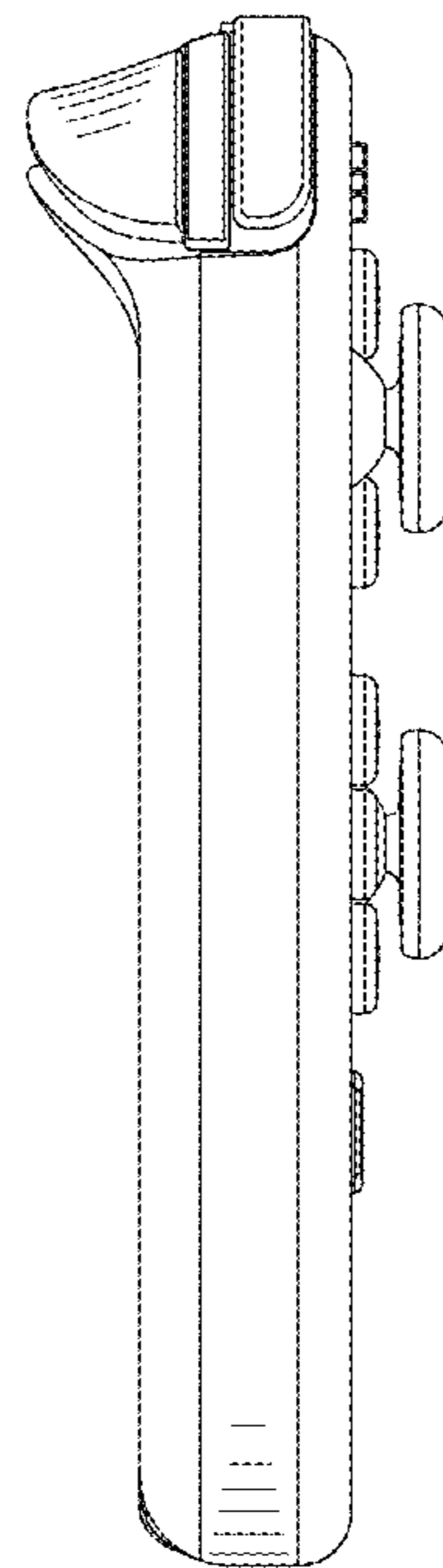


Fig. 9

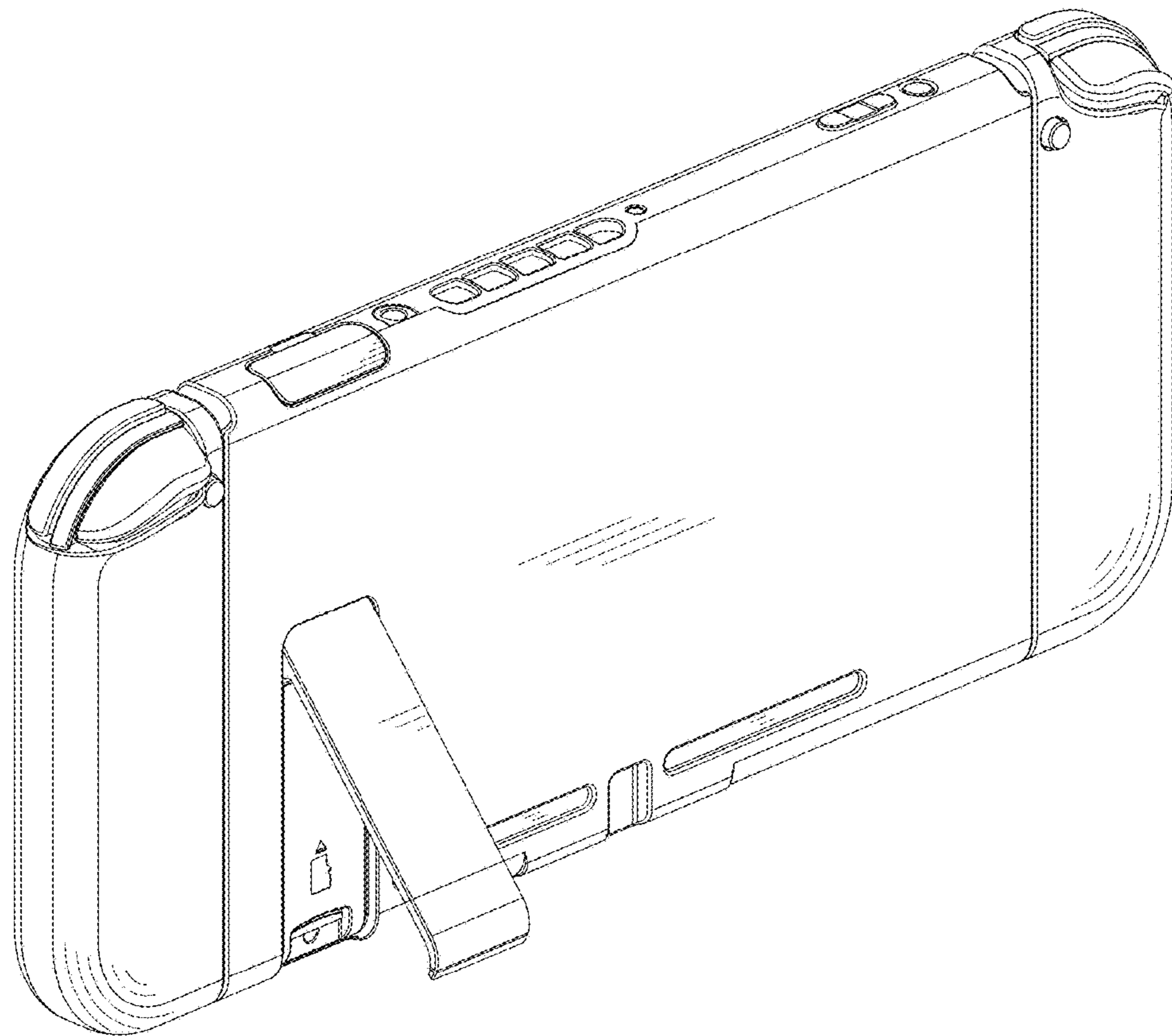


Fig.10

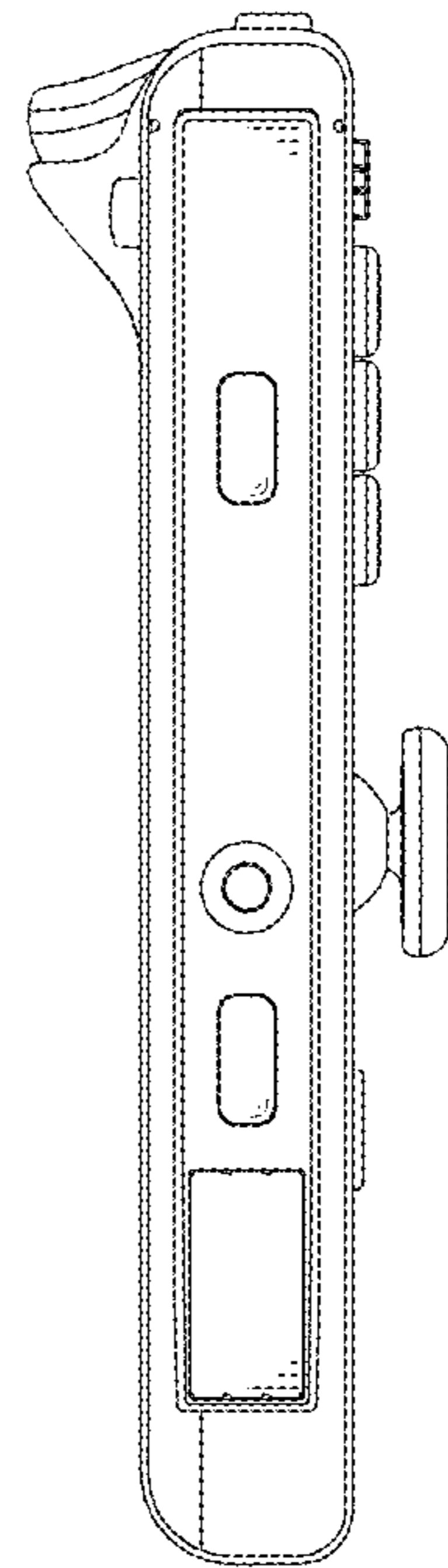


Fig.11

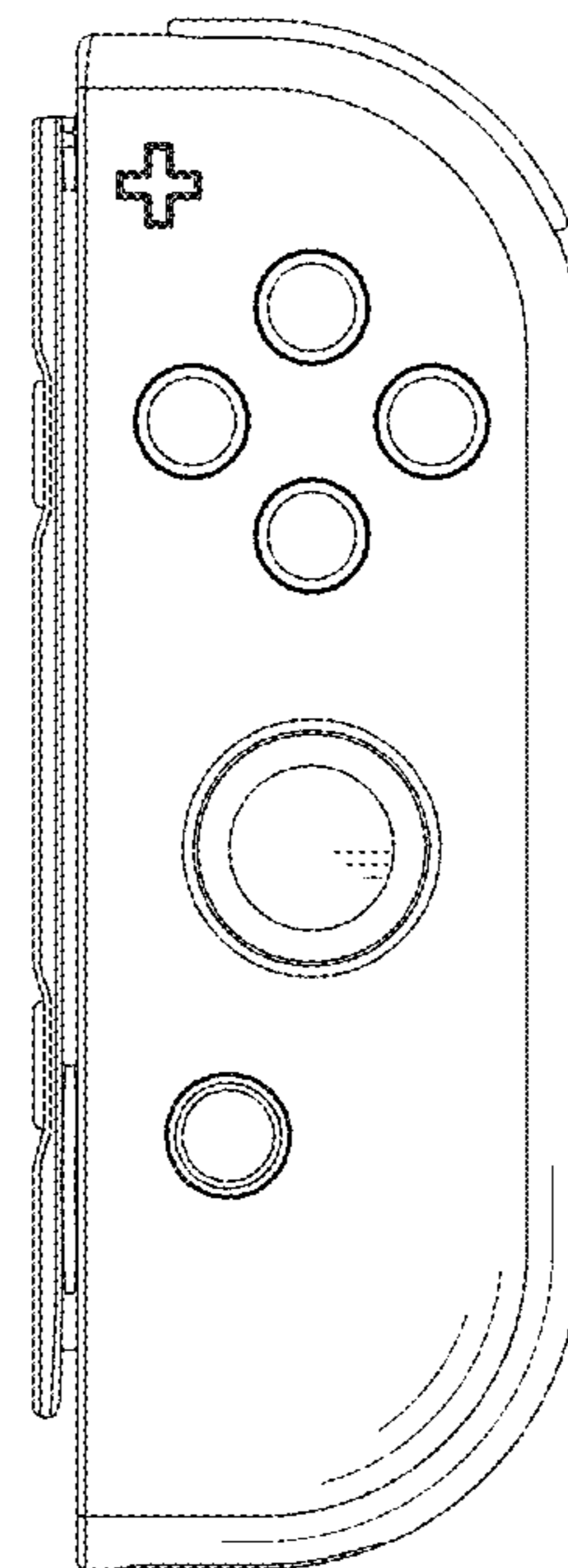


Fig.12

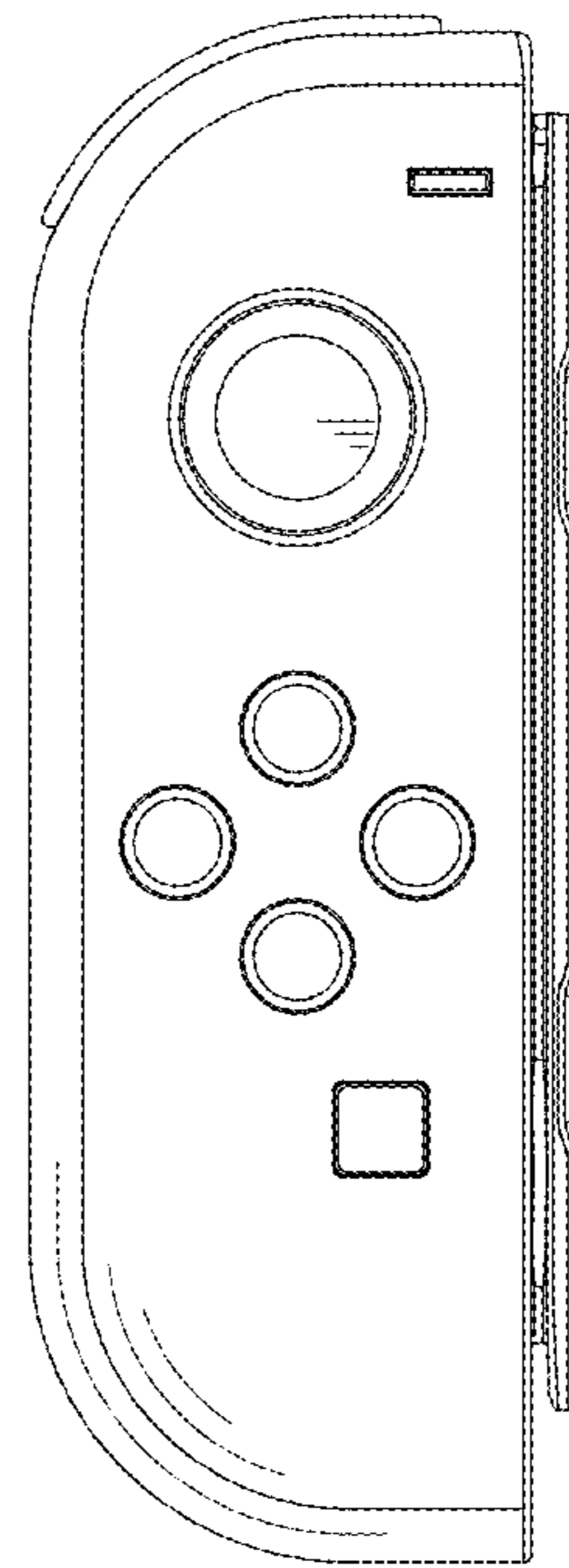


Fig.13

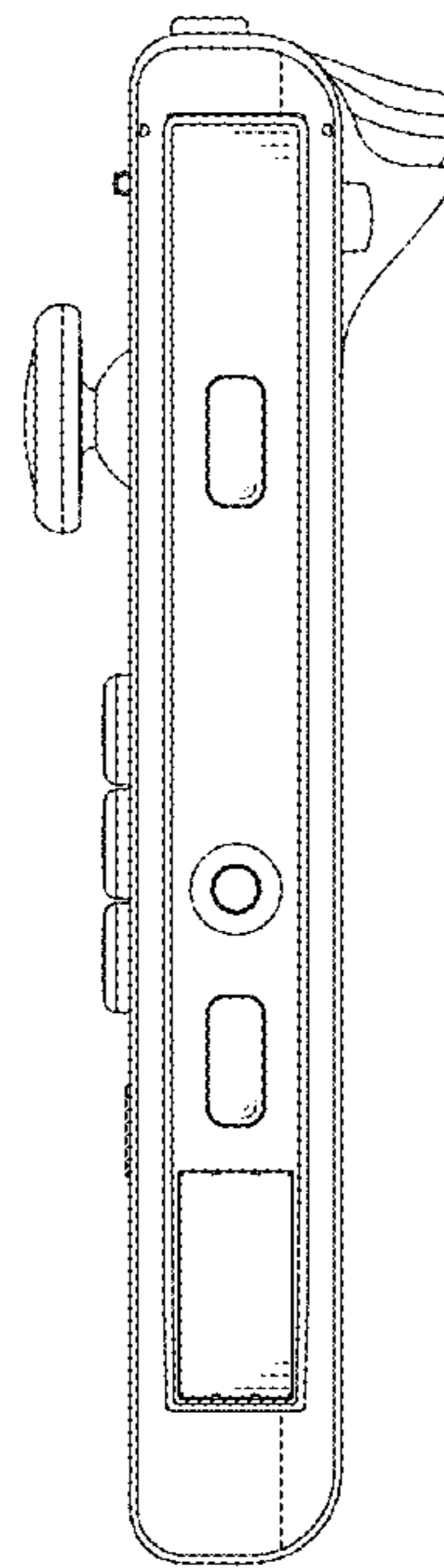


Fig.14

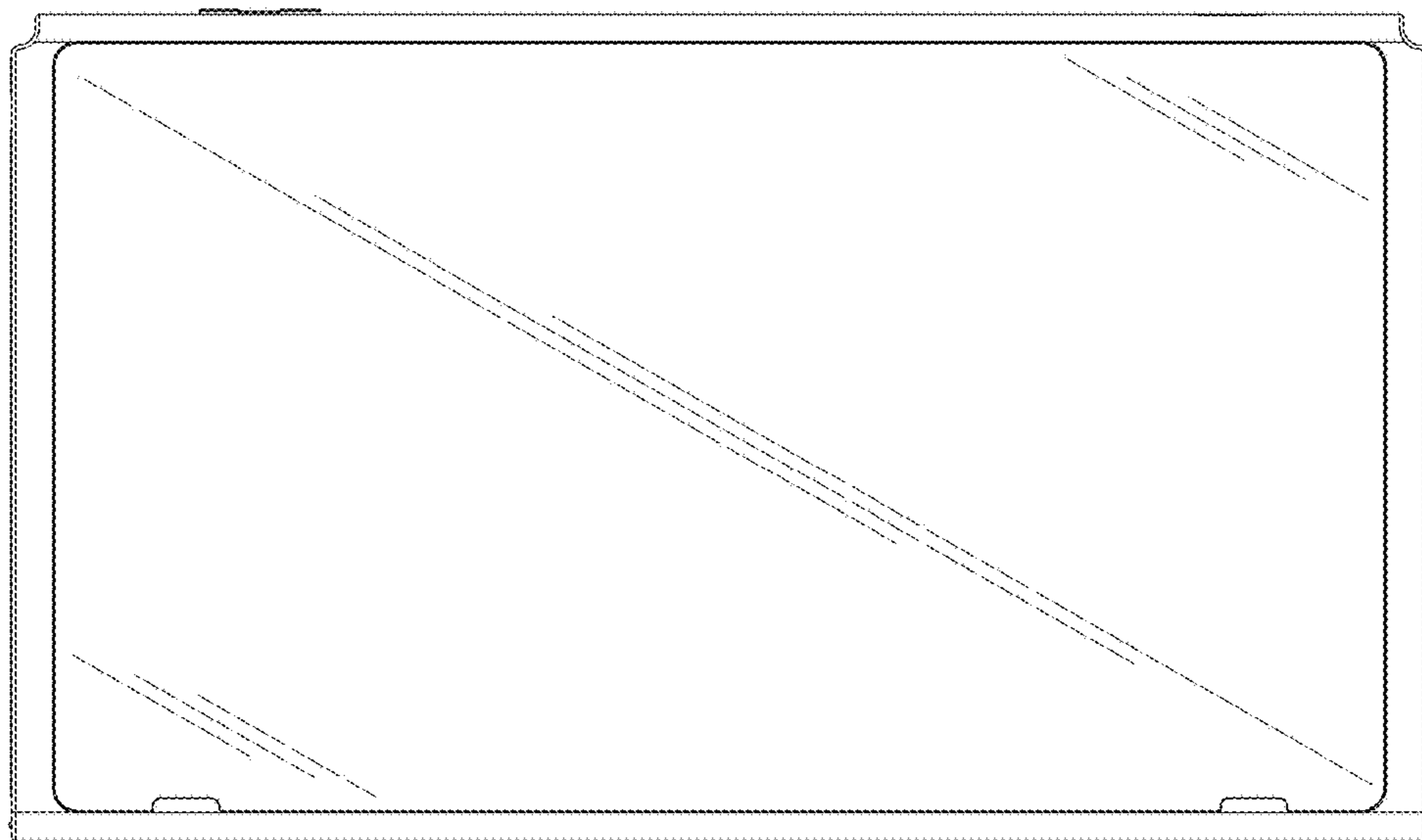


Fig.15

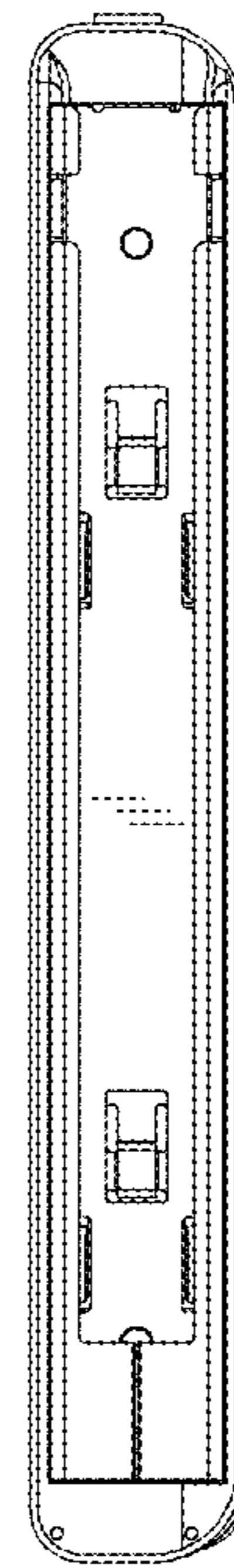


Fig.16

