



US00D819689S

(12) **United States Design Patent** (10) **Patent No.:** **US D819,689 S**  
**Schwartz** (45) **Date of Patent:** **\*\* Jun. 5, 2018**

(54) **DISPLAY SCREEN PORTION WITH ICON FOR AN ATRIAL ORIENTATION MARKER**

(71) Applicant: **Navix International Limited**, Tortola (VG)

(72) Inventor: **Yitzhack Schwartz**, Haifa (IL)

(73) Assignee: **NAVIX INTERNATIONAL LIMITED**, Tortola (VG)

(\*\*) Term: **15 Years**

(21) Appl. No.: **29/557,159**

(22) Filed: **Mar. 7, 2016**

(51) **LOC (11) Cl.** ..... **14-04**

(52) **U.S. Cl.**  
USPC ..... **D14/492**

(58) **Field of Classification Search**  
USPC ..... D14/485-495; D9/608, 665, 457;  
D20/10, 11, 12, 22-32, 35  
CPC ..... G06F 3/048-3/04897; A61B 3/00; A61B  
3/0041; A61B 3/10; A61B 34/20-34/70;  
A61B 2034/20; A61B 2034/2051; A61B  
2034/25; A61B 2018/00351; A61B 90/39;  
A61F 9/007; A61M 2210/12; G11B  
27/34; G95B 15/02

See application file for complete search history.

(56) **References Cited**

U.S. PATENT DOCUMENTS

D563,987 S \* 3/2008 Hosokawa ..... D14/492  
D593,127 S \* 5/2009 Hosokawa ..... D14/492  
9,095,428 B2 \* 8/2015 Kabir ..... A61F 2/24  
D772,896 S \* 11/2016 Kim ..... D14/485  
2017/0095315 A1 \* 4/2017 van der Weide ..... A61B 90/39

\* cited by examiner

*Primary Examiner* — Cathron C Brooks

*Assistant Examiner* — Ian F Whitmore

(74) *Attorney, Agent, or Firm* — Greenblum & Bernstein, P.L.C.

(57) **CLAIM**

The ornamental design for a display screen portion with icon for an atrial orientation marker, as shown and described.

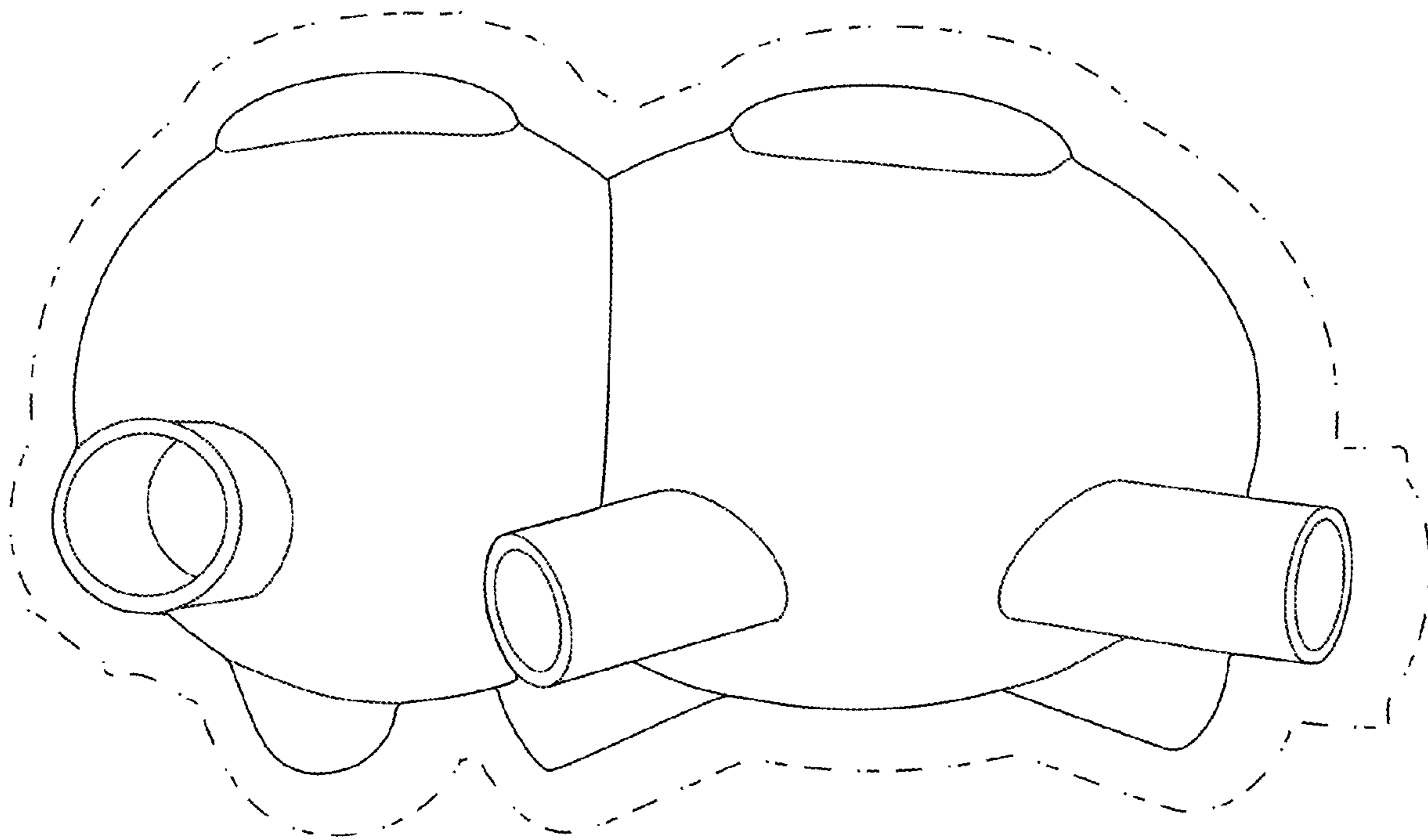
**DESCRIPTION**

FIG. 1 is a front view of the display screen portion with icon for an atrial orientation marker showing a first embodiment of my new design; and,

FIG. 2 is a second embodiment thereof.

The dot-dash broken line perimeter illustrates a display screen portion and forms no part of the claimed design.

**1 Claim, 2 Drawing Sheets**



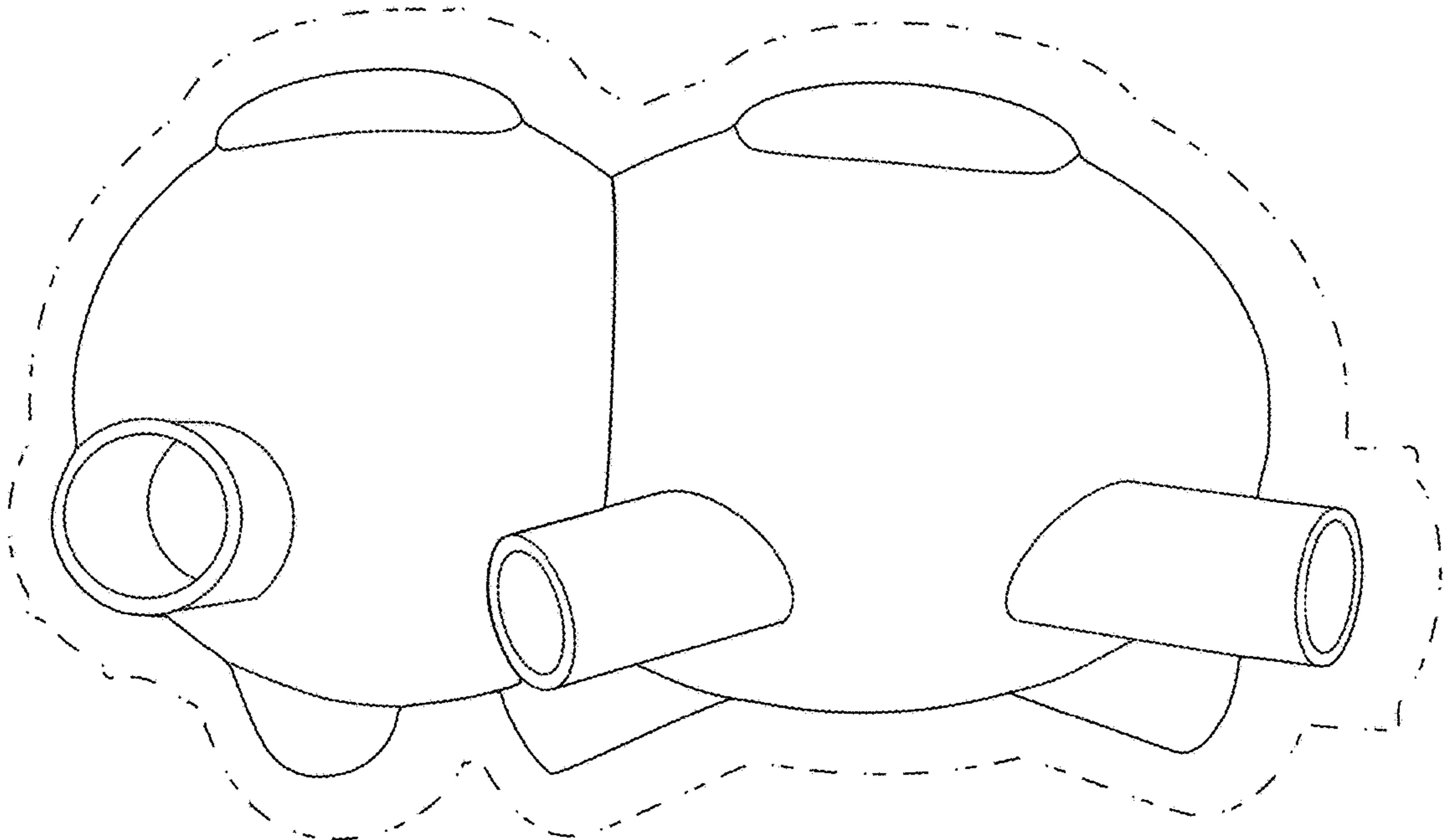


FIG. 1

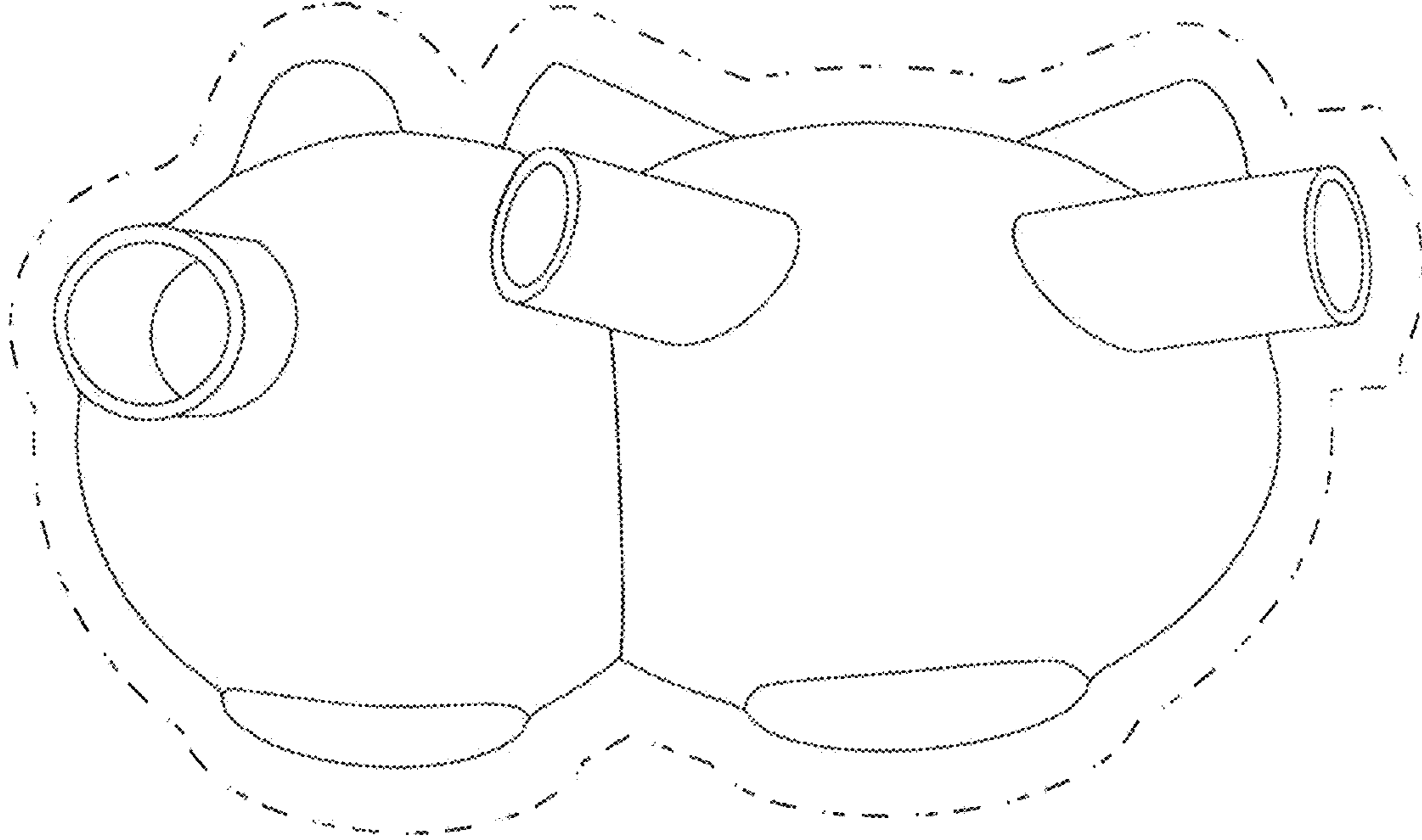


FIG. 2