



US00D819685S

(12) **United States Design Patent**
Lee et al.

(10) **Patent No.:** **US D819,685 S**
(45) **Date of Patent:** **** Jun. 5, 2018**

(54) **DISPLAY SCREEN OR PORTIONS THEREOF WITH TRANSITIONAL GRAPHICAL USER INTERFACE**

(71) Applicant: **SAMSUNG ELECTRONICS CO., LTD.**, Suwon-si (KR)

(72) Inventors: **Heonwoo Lee**, Seoul (KR); **Hanna Kim**, Seongnam-si (KR); **Yoonho Lee**, Incheon (KR)

(73) Assignee: **SAMSUNG ELECTRONICS CO., LTD.**, Gyeonggi-Do (KR)

(**) Term: **15 Years**

(21) Appl. No.: **29/584,997**

(22) Filed: **Nov. 18, 2016**

(30) **Foreign Application Priority Data**

Jul. 12, 2016 (KR) 30-2016-0033889

(51) **LOC (11) Cl.** **14-04**

(52) **U.S. Cl.**
USPC **D14/488; D14/492**

(58) **Field of Classification Search**
USPC D14/485-495; 345/1.1, 1.2, 2.1-2.3, 3.1, 345/902; 715/763, 810, 836, 837, 846, 715/847, 977

(Continued)

(56) **References Cited**

U.S. PATENT DOCUMENTS

D691,629 S * 10/2013 Matas D14/488
D721,090 S * 1/2015 Hong D14/487

(Continued)

FOREIGN PATENT DOCUMENTS

KR 300644315 5/2012
KR 300812674 8/2015

OTHER PUBLICATIONS

Martonik, Andrew. "How to use Samsung Pay on the Gear S3 without a Samsung Phone." androidcentral.com. Dec. 15, 2016. Accessed Sep. 12, 2017. Available online at URL: <https://www.androidcentral.com/how-use-samsung-pay-gear-s3>.*

(Continued)

Primary Examiner — Cathron C Brooks

Assistant Examiner — Christian P. McLean

(74) *Attorney, Agent, or Firm* — Cantor Colburn LLP

(57) **CLAIM**

The ornamental design for a display screen or portions thereof with transitional graphical user interface, as shown and described.

DESCRIPTION

FIG. 1 is a first image in a sequence for a display screen or portions thereof with transitional graphical user interface, showing our new design in a first embodiment;

FIG. 2 is a second image in a sequence thereof;

FIG. 3 is a third image in a sequence thereof;

FIG. 4 is a fourth image in a sequence thereof;

FIG. 5 is a fifth image in a sequence thereof;

FIG. 6 is a first image in a sequence for a display screen or portions thereof with transitional graphical user interface, showing our new design in a second embodiment;

FIG. 7 is a second image in a sequence thereof;

FIG. 8 a third image in a sequence thereof;

FIG. 9 is a third image in a sequence thereof; and,

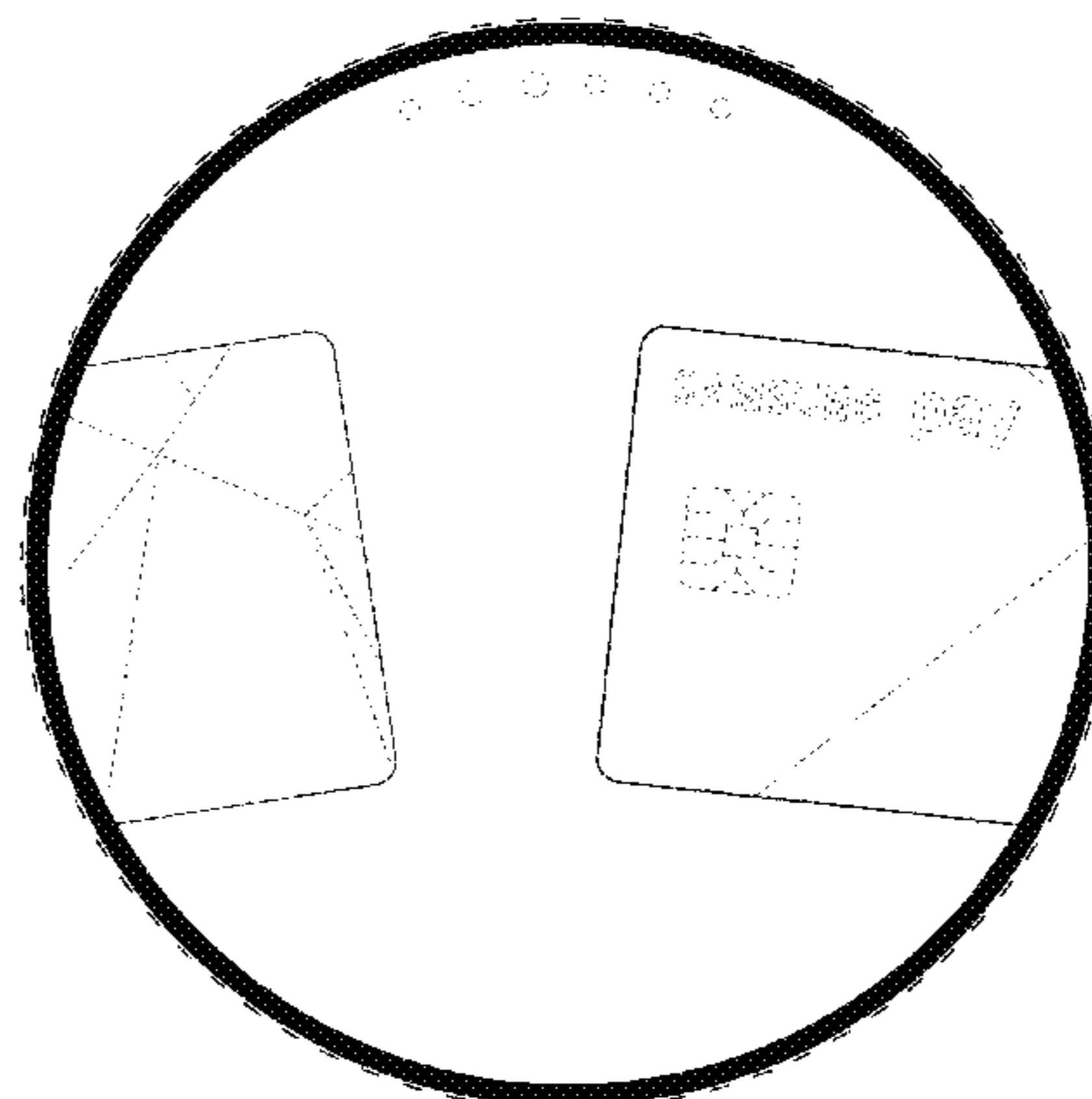
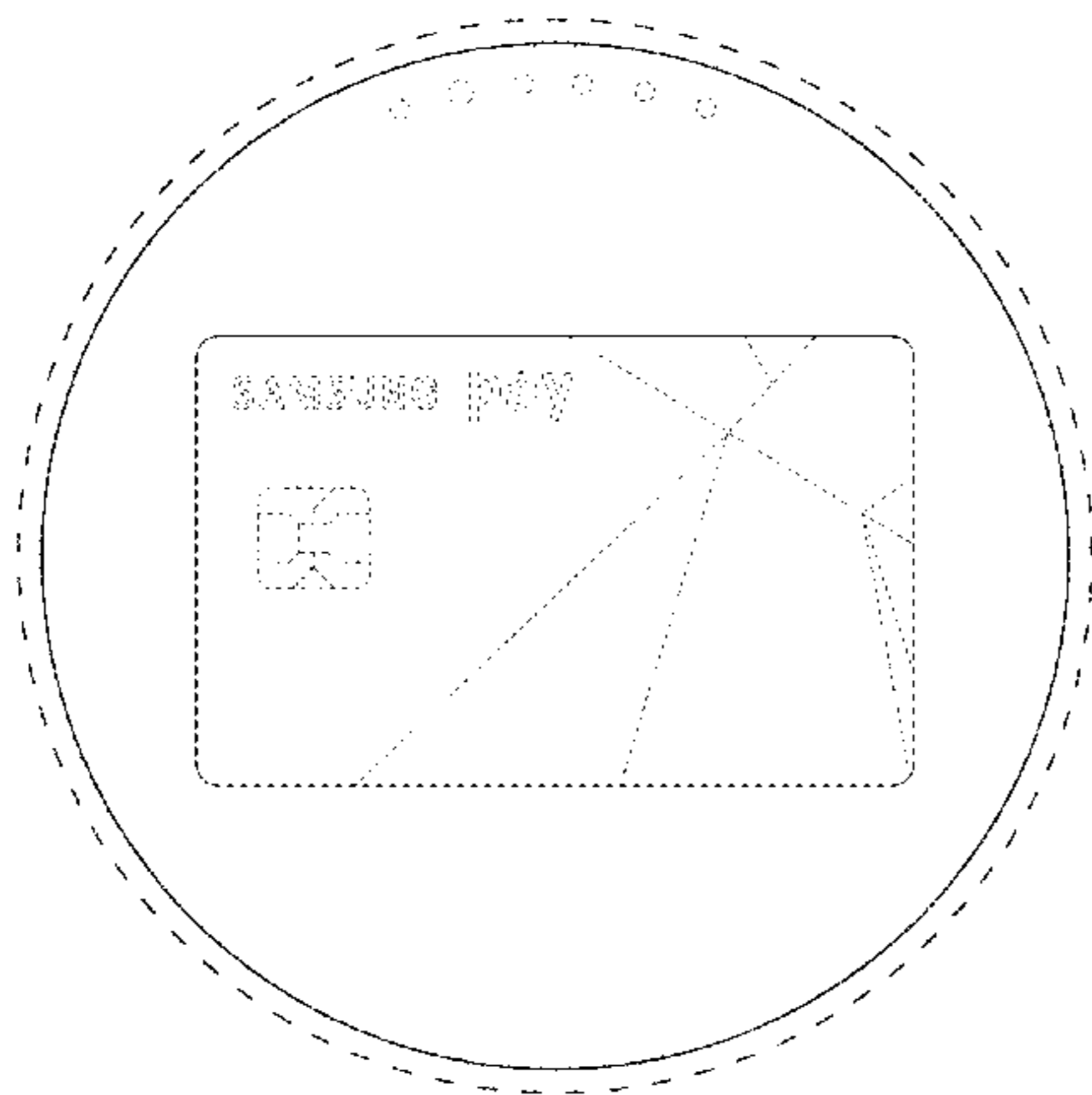
FIG. 10 is a fifth image in a sequence thereof.

The broken lines illustrating portions of the transitional graphical user interface form no part of the claimed design.

The outermost broken lines illustrating the display screen or portion thereof form no part of the claimed design.

The appearance of the image transitions sequentially between images shown in FIGS. 1 through 5 and FIGS. 6 through 10. The process or period in which one image transitions to another forms no part of the claimed design.

(Continued)



The solid black shading in FIGS. 6 through 10 illustrates a contrast in appearance.

1 Claim, 10 Drawing Sheets

(58) **Field of Classification Search**

CPC G06F 3/048; G06F 3/0481; G06F 3/04812;
 G06F 3/04817; G06F 3/0482; G06F
 3/0483; G06F 3/0484; G06F 3/04847;
 G06F 3/0485; G06F 3/04855; G06F
 3/04886; G06Q 30/00; H03J 1/00; H03J
 1/0008; H03J 1/0016; H03J 1/0025;
 H04N 5/00; H04N 5/08; H04N 5/14;
 H04N 5/222; H04N 5/225; H04N 5/232;
 H04N 5/445; H04N 5/44543; H04N 5/45;
 H04N 2005/44517; H04N 2005/44521;
 H04N 2005/44526; H04N 2005/4453;
 H04N 2005/44534; H04N 2005/44539;
 H04N 2005/44547; H04N 2005/44556;
 H04N 2005/4456; H04N 2005/44565;
 H04N 2005/44569; H04N 2005/44573;
 H04N 21/00; H04N 21/234; H04N
 21/431; H04N 21/4312; H04N 21/4314;
 H04N 21/4316

See application file for complete search history.

(56) **References Cited**

U.S. PATENT DOCUMENTS

D739,860 S * 9/2015 Perez D14/485
 D741,895 S 10/2015 Nguyen

D746,866 S 1/2016 Memoria et al.
 D750,642 S * 3/2016 Lee D14/485
 D760,745 S * 7/2016 Rawlins D14/485
 D762,671 S * 8/2016 Chan D14/485
 D763,910 S * 8/2016 Drozd D14/485
 9,471,216 B2 * 10/2016 Lee G04G 21/08
 D775,657 S * 1/2017 Thomas D14/488
 D778,314 S * 2/2017 Li D14/488
 D785,013 S * 4/2017 Kuhn D14/485
 D785,658 S * 5/2017 Moroney D14/486
 D786,821 S * 5/2017 Engelhard D14/185
 D786,914 S * 5/2017 Kim D14/487
 D786,917 S * 5/2017 Hong D14/487
 D786,932 S * 5/2017 Kim D14/488
 D792,444 S * 7/2017 Cho D14/488
 D793,424 S * 8/2017 Bao D14/488
 D795,917 S * 8/2017 Escutia D14/488
 D797,122 S * 9/2017 Caro D14/485
 D800,779 S * 10/2017 Lee D14/492
 D803,871 S * 11/2017 Kim D14/488
 2017/0075305 A1 * 3/2017 Ryu G04G 9/0064
 2017/0255169 A1 * 9/2017 Lee G04G 21/08

OTHER PUBLICATIONS

LG Urbane LTE Smartwatch, Published on Mar 3, 2015, pp. 1-3,
 Retrieved from the Internet Nov. 18, 2016 <URL:https://www.
 youtube.com/watch?v=fhFWcrof3Xo>.

* cited by examiner

FIG. 1

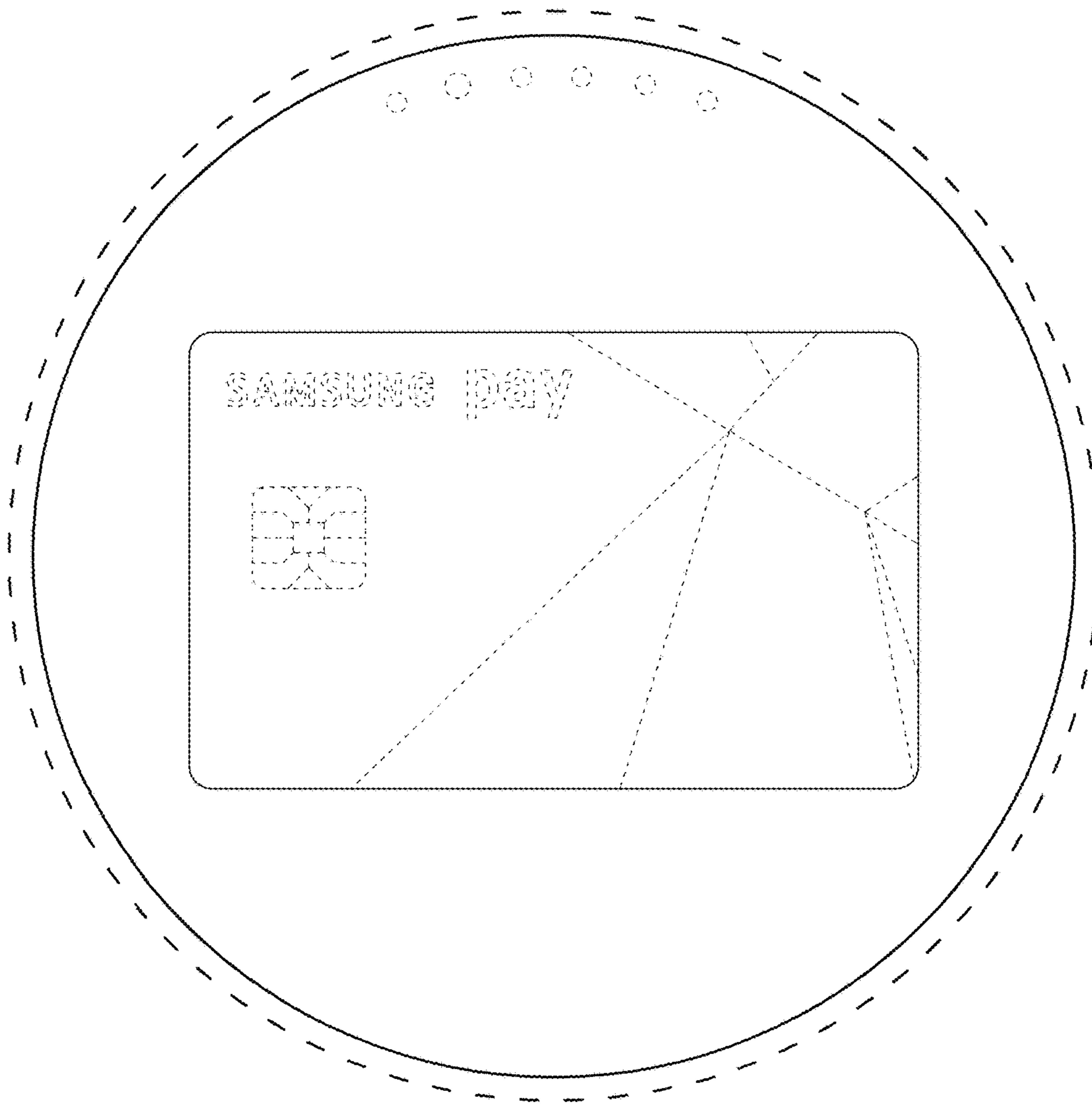


FIG. 2

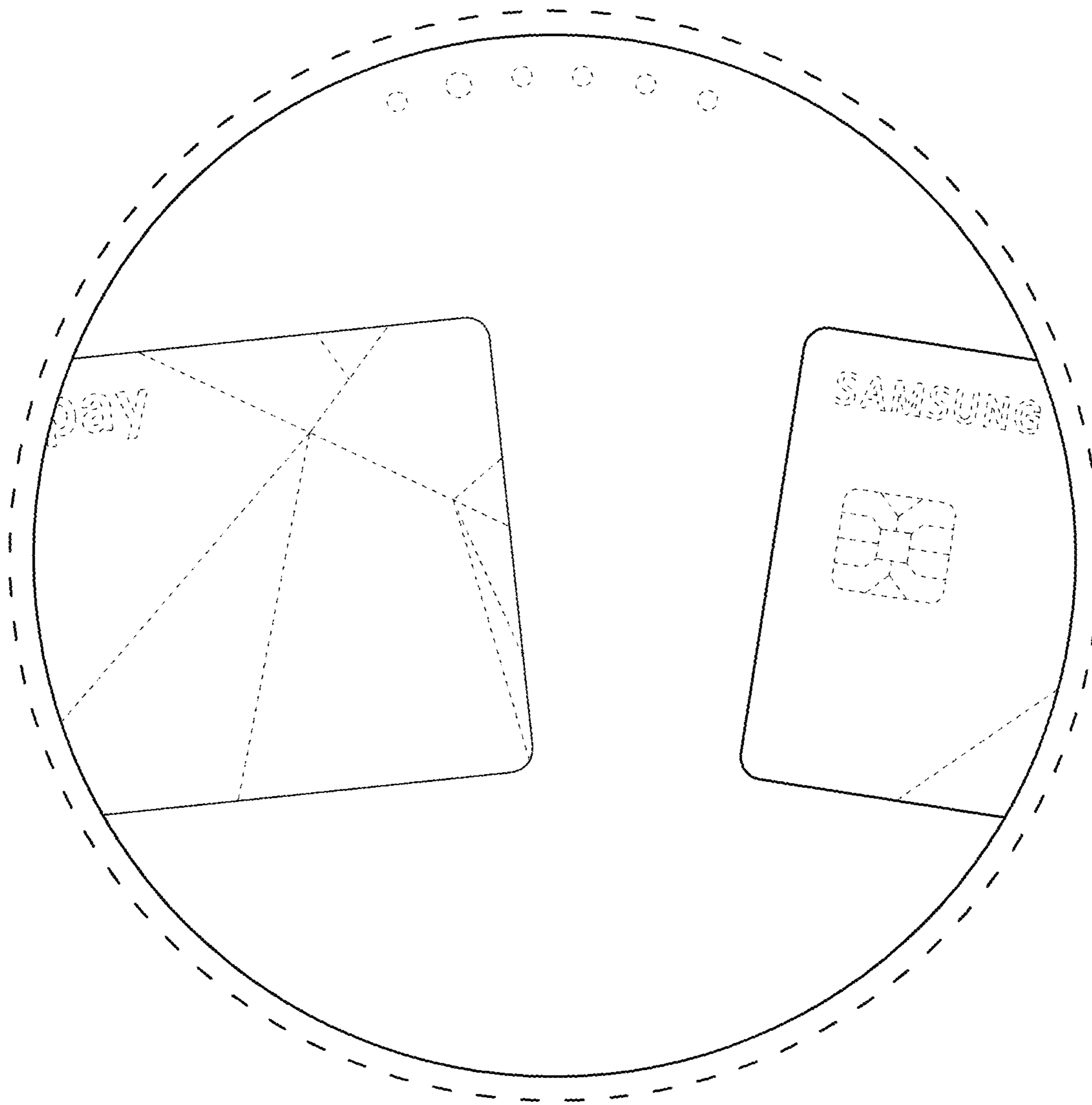


FIG. 3

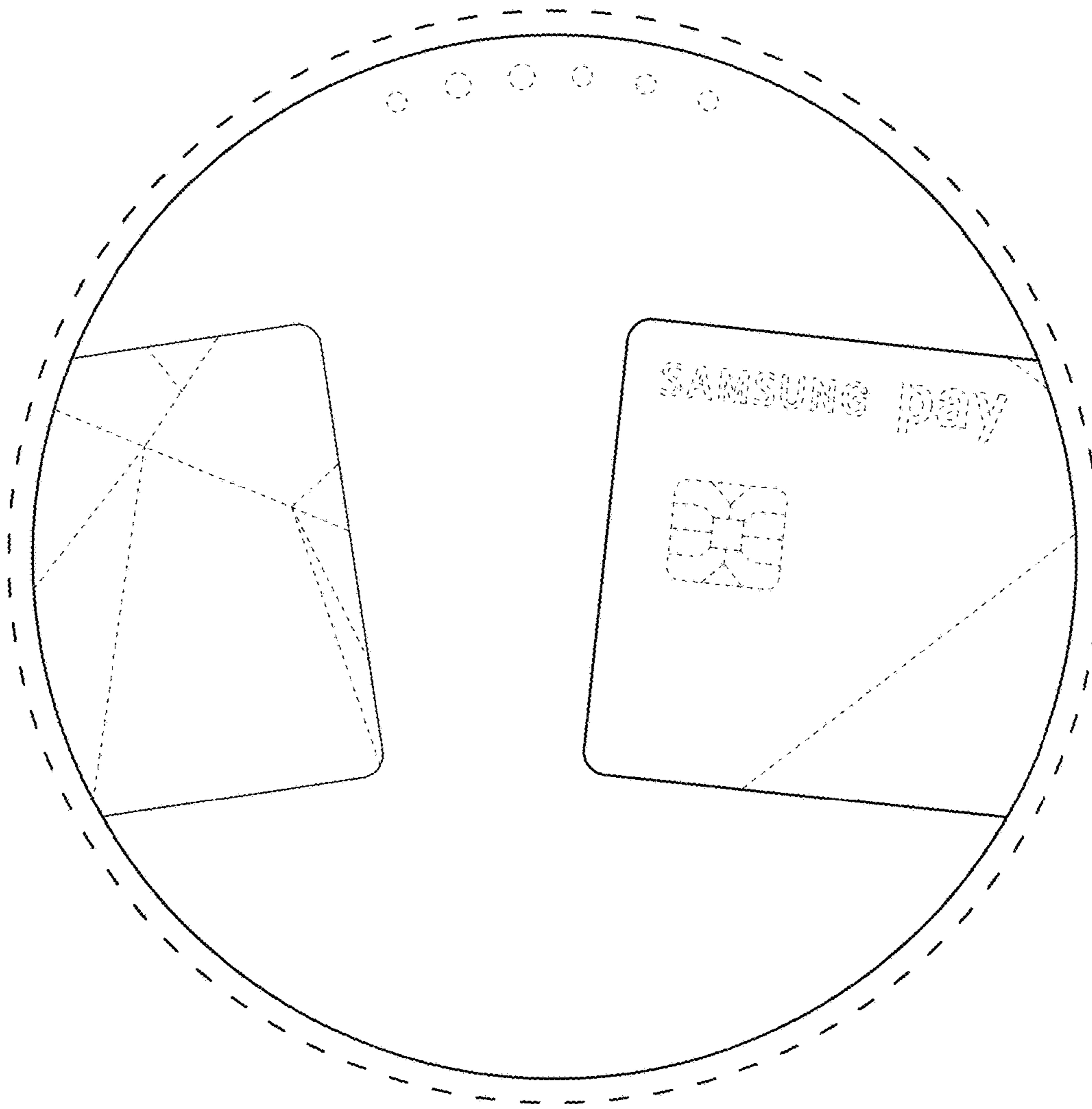


FIG. 4

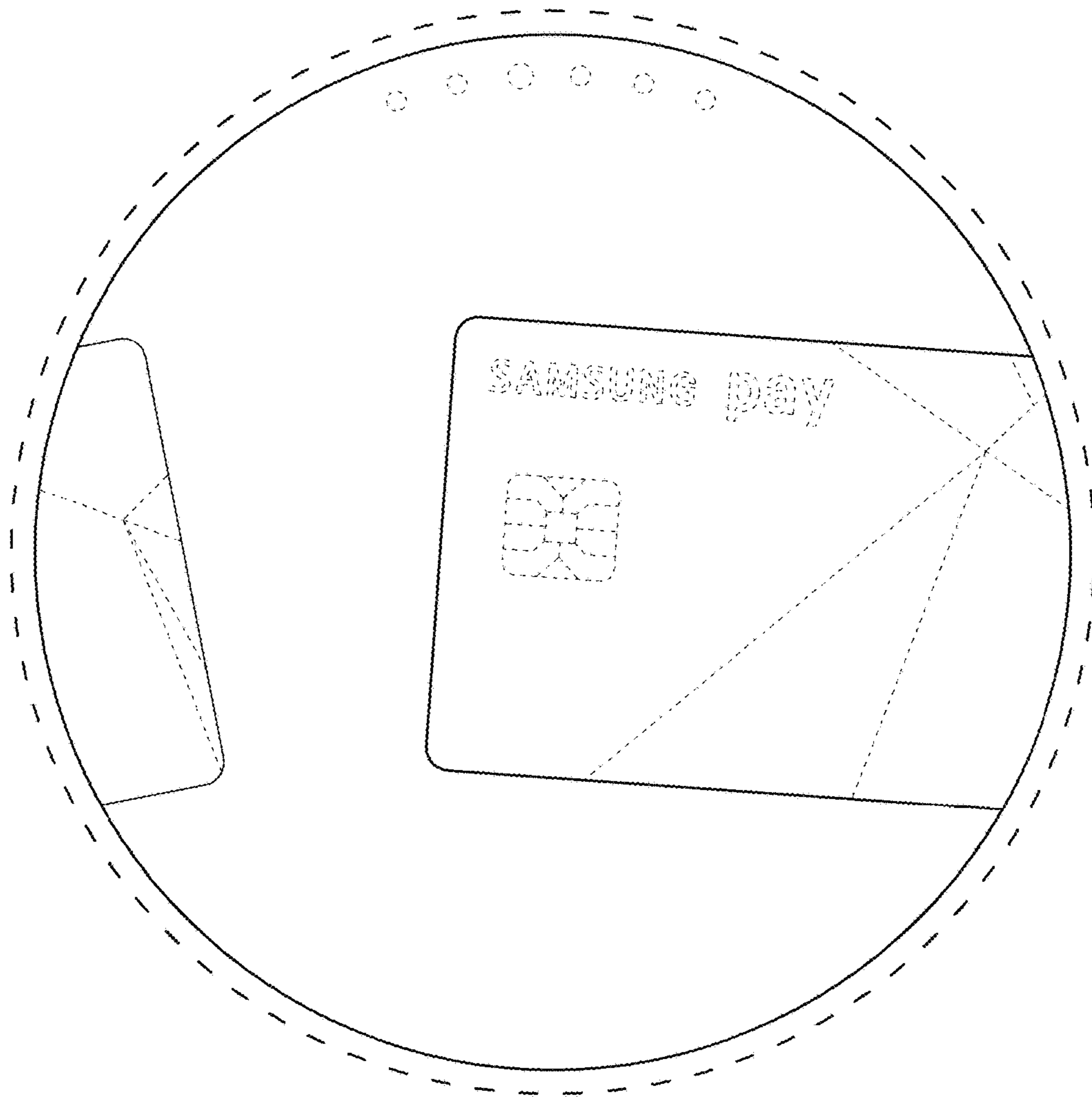


FIG. 5

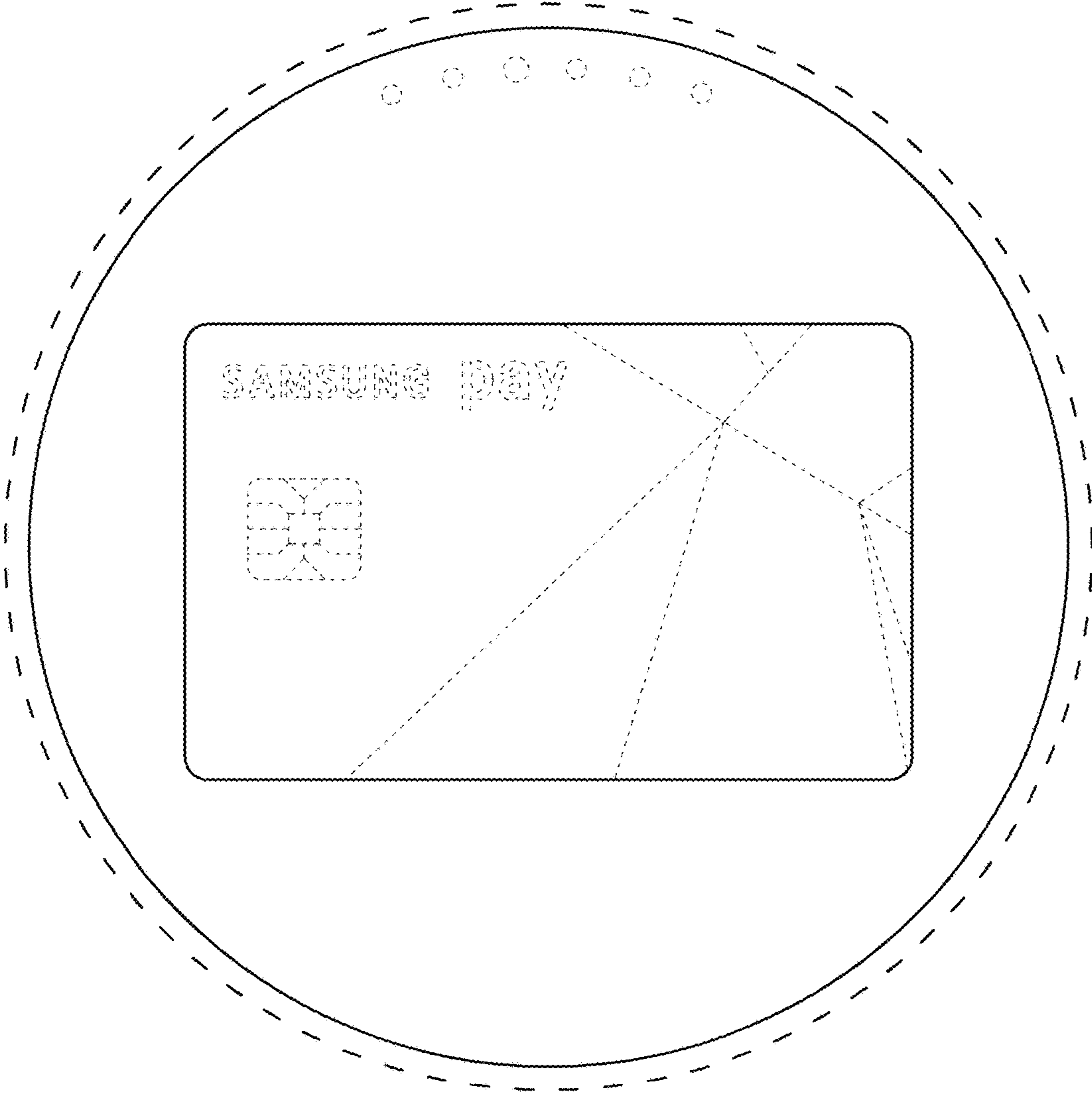


FIG. 6

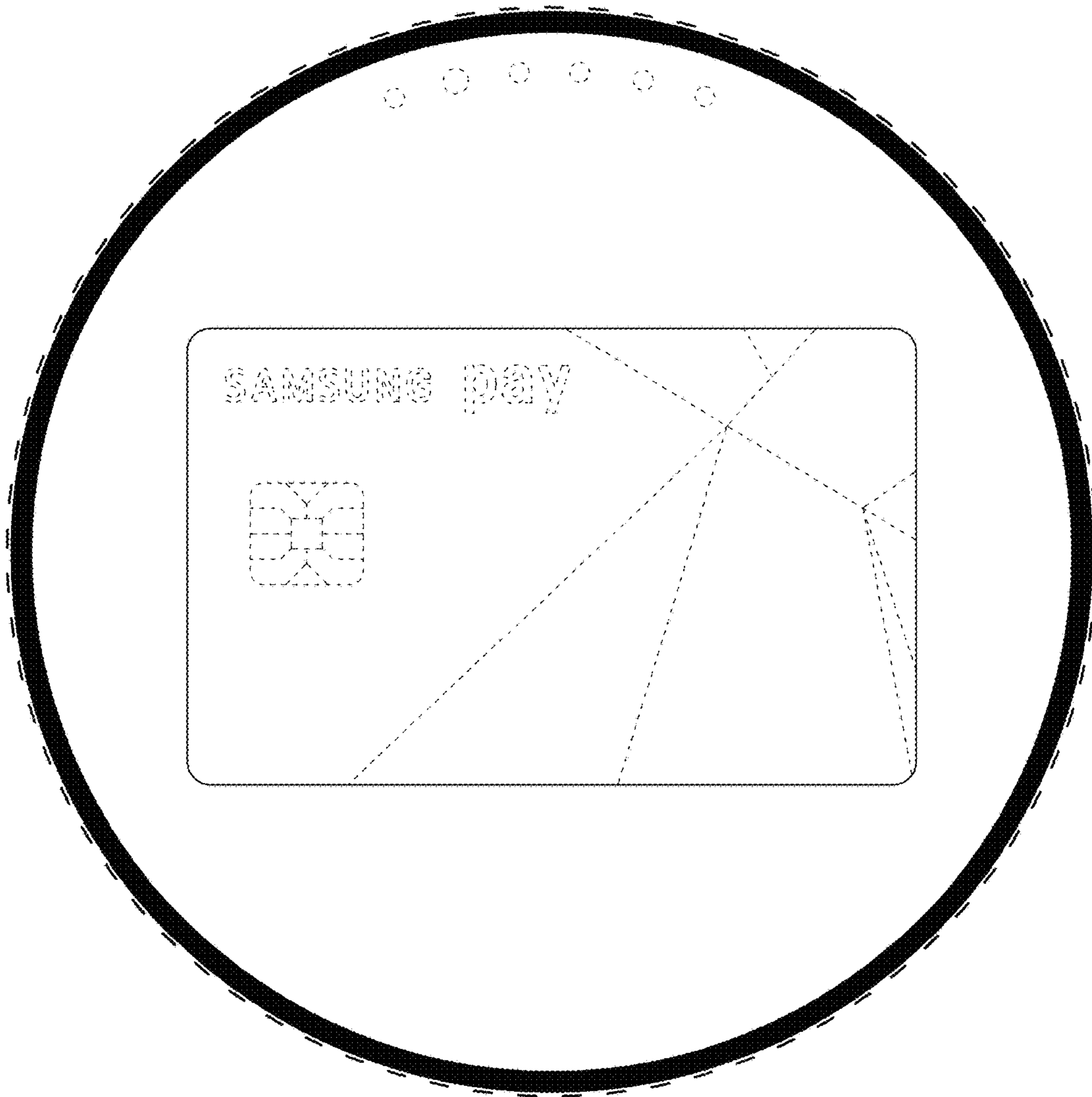


FIG. 7

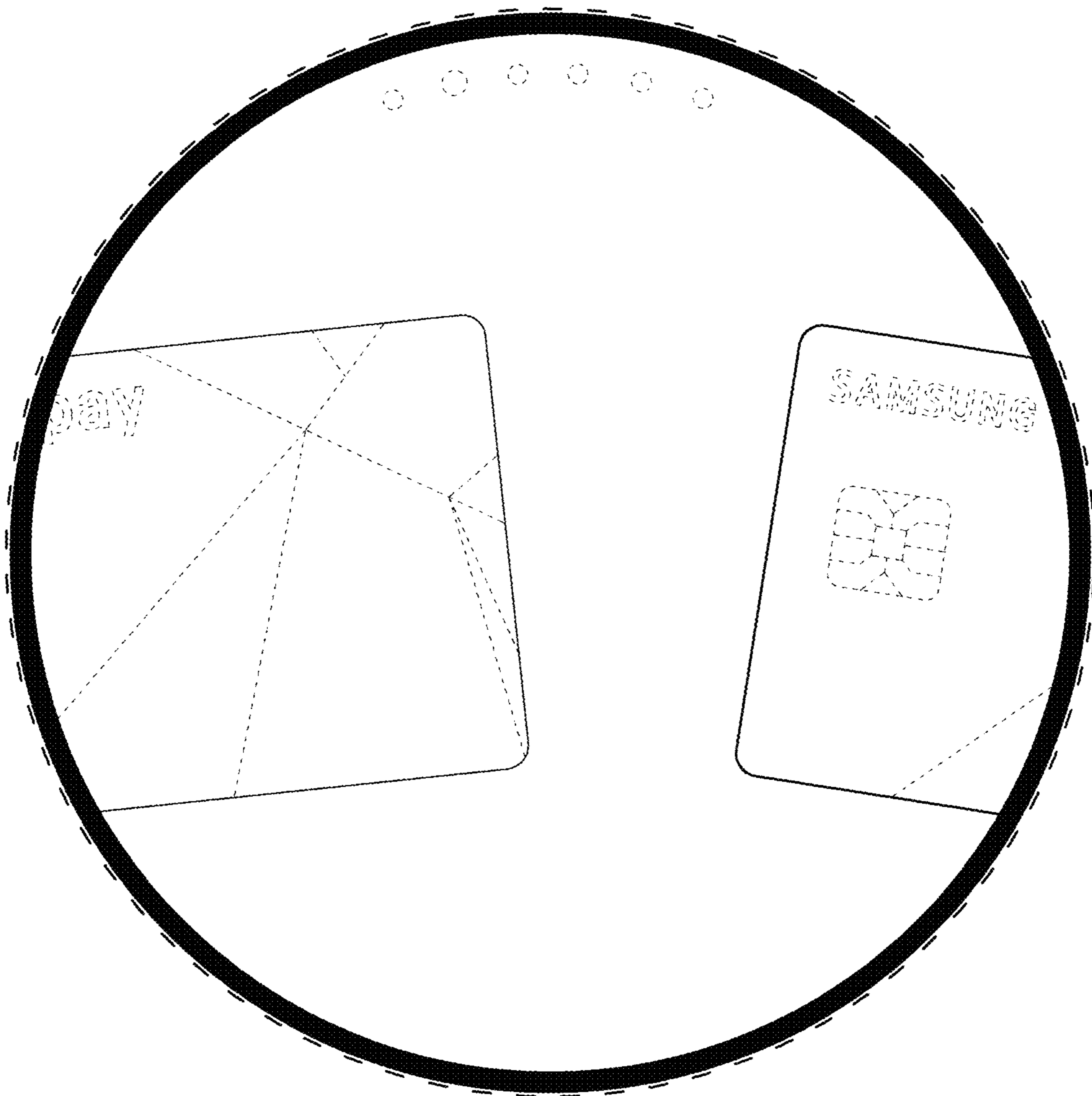


FIG. 8

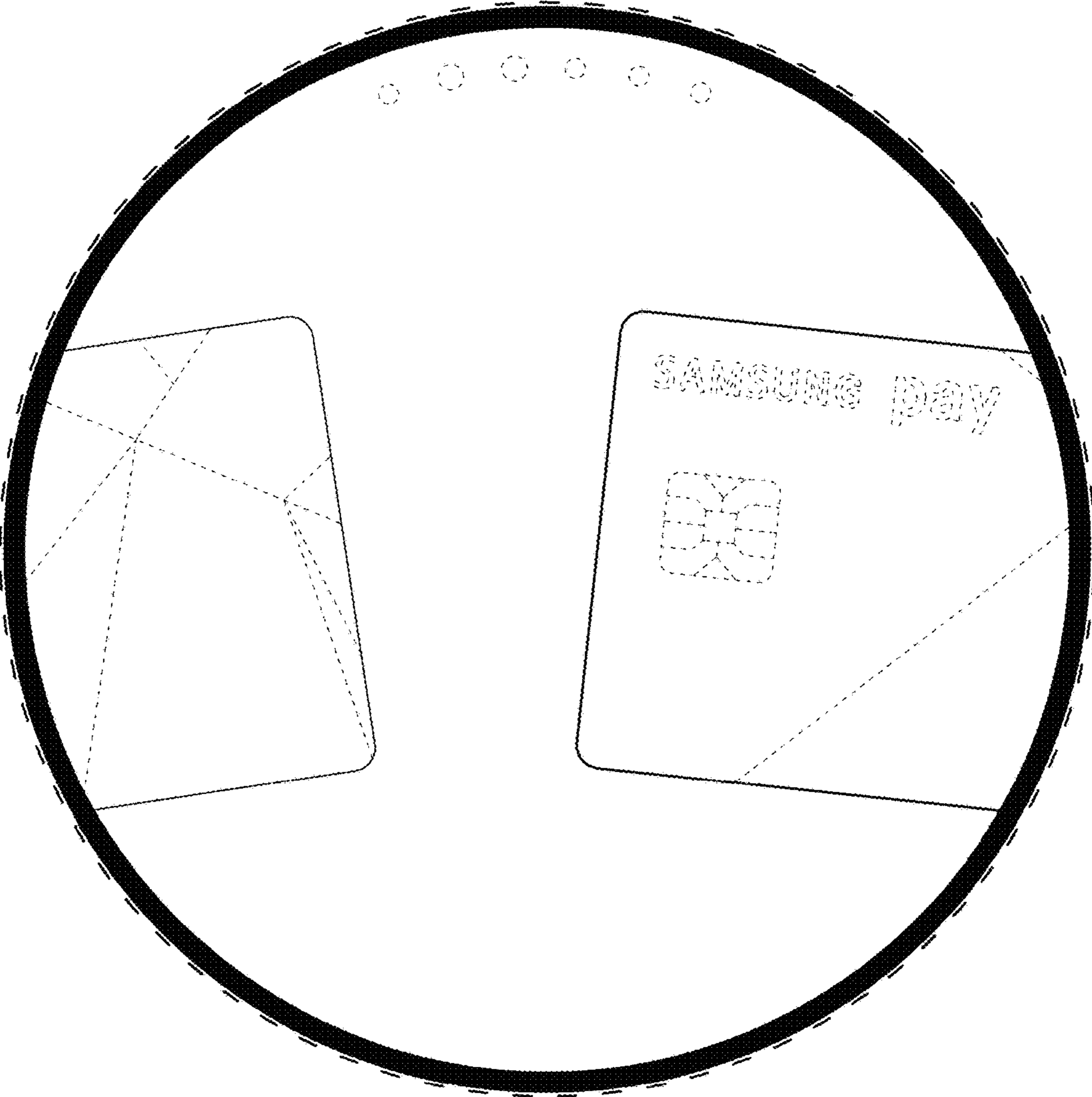


FIG. 9

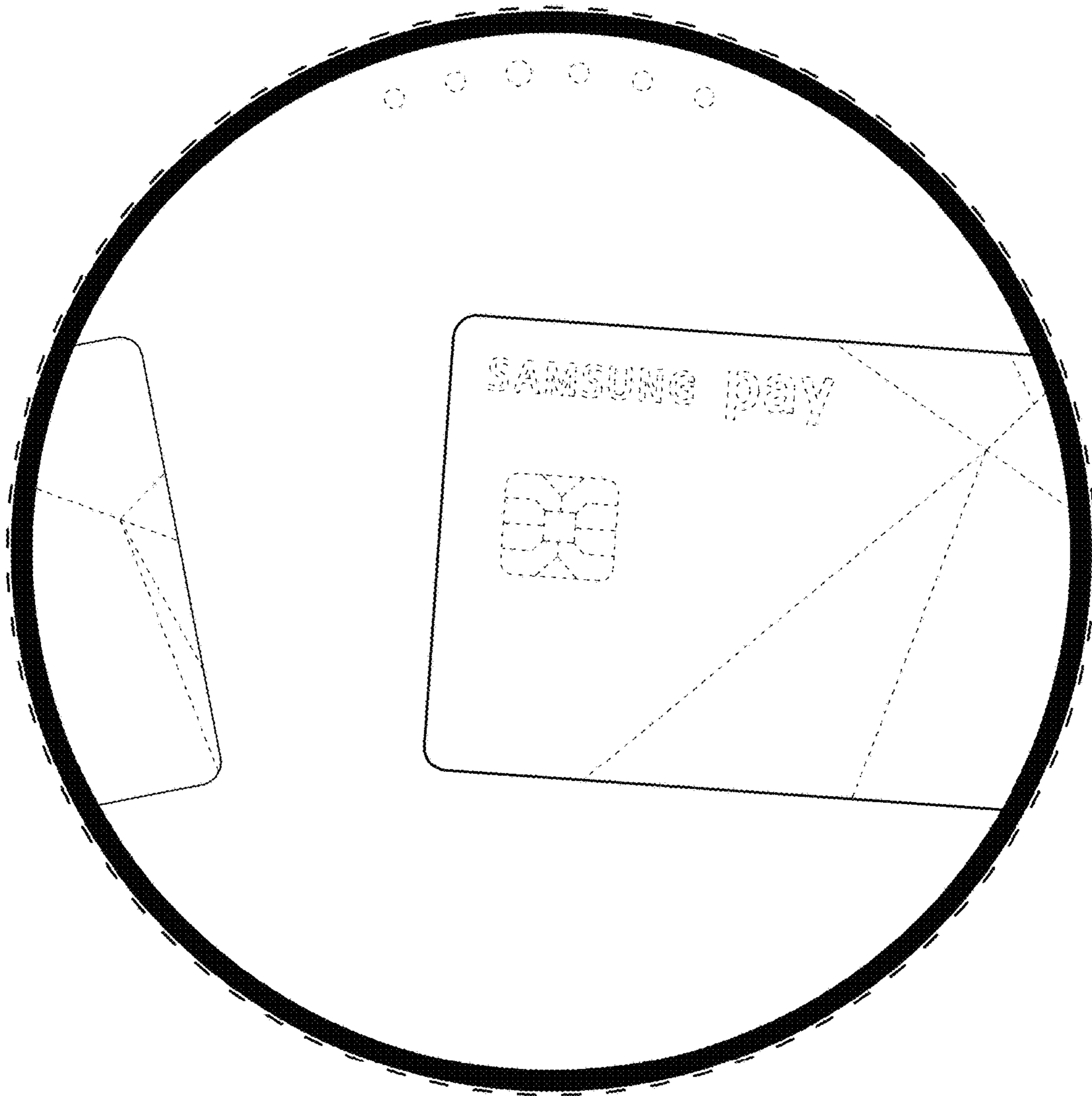


FIG. 10

