



US00D819668S

(12) **United States Design Patent**  
**Hasaballah et al.**

(10) **Patent No.:** **US D819,668 S**  
(45) **Date of Patent:** **\*\* Jun. 5, 2018**

(54) **DISPLAY PANEL WITH ANIMATED GRAPHICAL USER INTERFACE**

(71) Applicant: **GOOGLE LLC**, Mountain View, CA (US)

(72) Inventors: **Taylah Hasaballah**, Mountain View, CA (US); **Brian Sugden**, Mountain View, CA (US)

(73) Assignee: **GOOGLE LLC**, Mountain View, CA (US)

(\*\*) Term: **15 Years**

(21) Appl. No.: **29/565,343**

(22) Filed: **May 19, 2016**

(51) **LOC (11) Cl.** ..... **14-04**

(52) **U.S. Cl.**  
USPC ..... **D14/486; D14/490; D14/492**

(58) **Field of Classification Search**  
USPC ..... D14/485–495  
CPC ..... G06F 2203/04807; G06F 3/04817; G06F 3/0482; G06T 13/80; H04M 1/2477  
See application file for complete search history.

(56) **References Cited**

**U.S. PATENT DOCUMENTS**

D471,225 S *	3/2003	Gray	.....	D14/488
D611,496 S *	3/2010	Akiyoshi	.....	D14/493
D611,950 S *	3/2010	Fletcher	.....	D14/488
D642,196 S *	7/2011	Fong	.....	D14/492
D677,326 S *	3/2013	Gleasant	.....	D18/27
D709,088 S *	7/2014	Barcheck	.....	D14/489
D728,616 S *	5/2015	Gomez	.....	D14/491
D748,126 S *	1/2016	Sarukkai	.....	D14/486
D748,137 S *	1/2016	Merschon	.....	D14/492
D755,201 S *	5/2016	Kim	.....	D14/485
D762,703 S *	8/2016	Kim	.....	D14/487
D764,486 S *	8/2016	Kaplan	.....	D14/485

(Continued)

**OTHER PUBLICATIONS**

CNET | How To | Tips and Tricks for Android Wear 2.0 | 11 new things you can do with your Android Wear smartwatch, posted on Jun. 2, 2017 by Jason Cipriani, © CBS Interactive Inc. [online], [site visited Aug. 24, 2017]. Available from Internet, <URL: https://www.cnet.com/how-to/tips-and-tricks-for-android-wear-2-0/>.\*

(Continued)

*Primary Examiner* — Philip S Hyder

*Assistant Examiner* — Cary M Robinson

(74) *Attorney, Agent, or Firm* — Marshall, Gerstein & Borun LLP

(57) **CLAIM**

The ornamental design for a display panel with animated graphical user interface, as shown and described.

**DESCRIPTION**

FIG. 1 is a front view of a display panel with animated graphical user interface of the present invention, the figure showing a first image in a sequence of images of an animated graphical user interface;

FIG. 2 is a front view of a second image thereof;

FIG. 3 is a front view of a third image thereof;

FIG. 4 is a front view of a fourth image thereof;

FIG. 5 is a front view of a fifth image thereof;

FIG. 6 is a front view of a sixth image thereof;

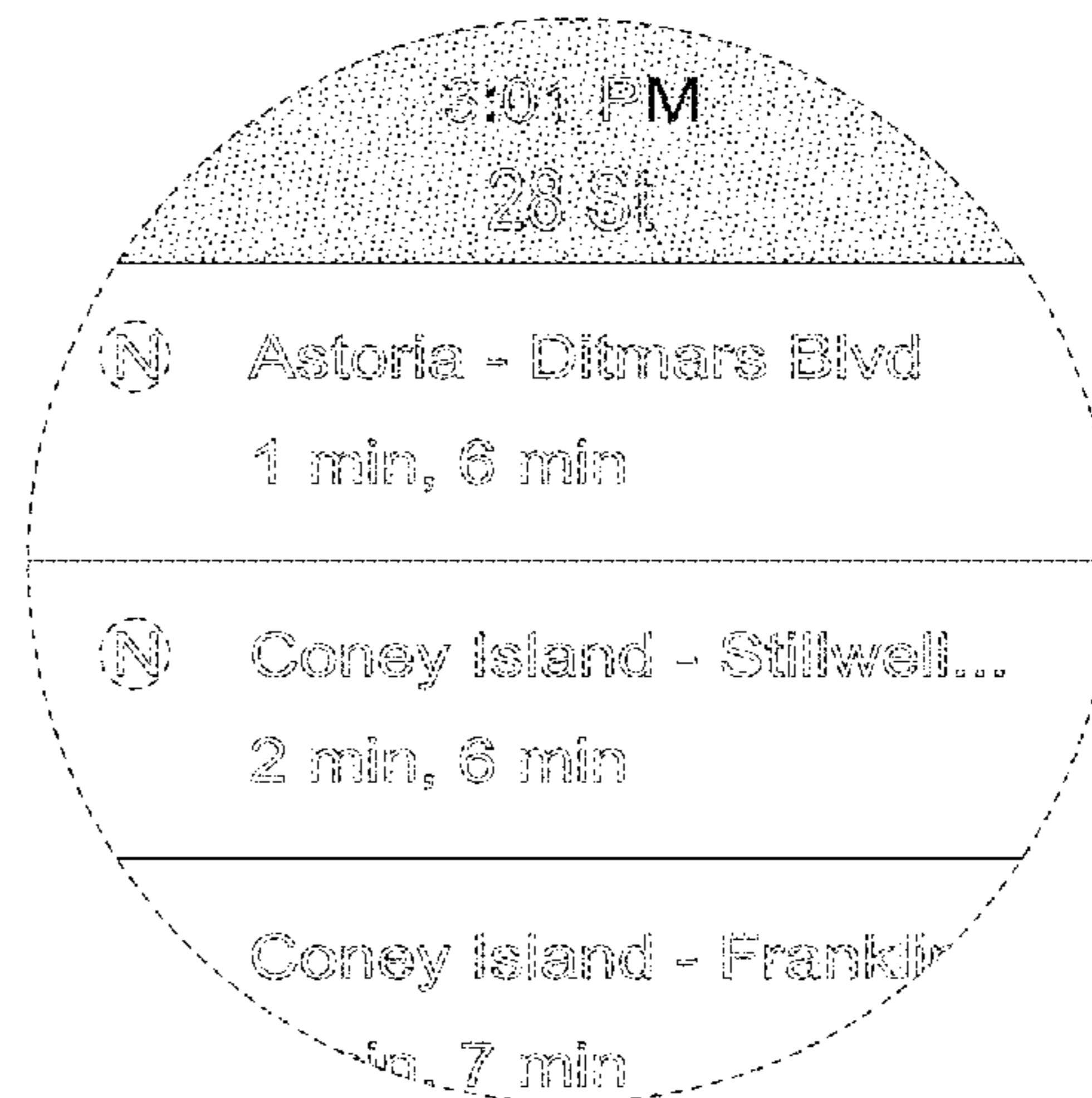
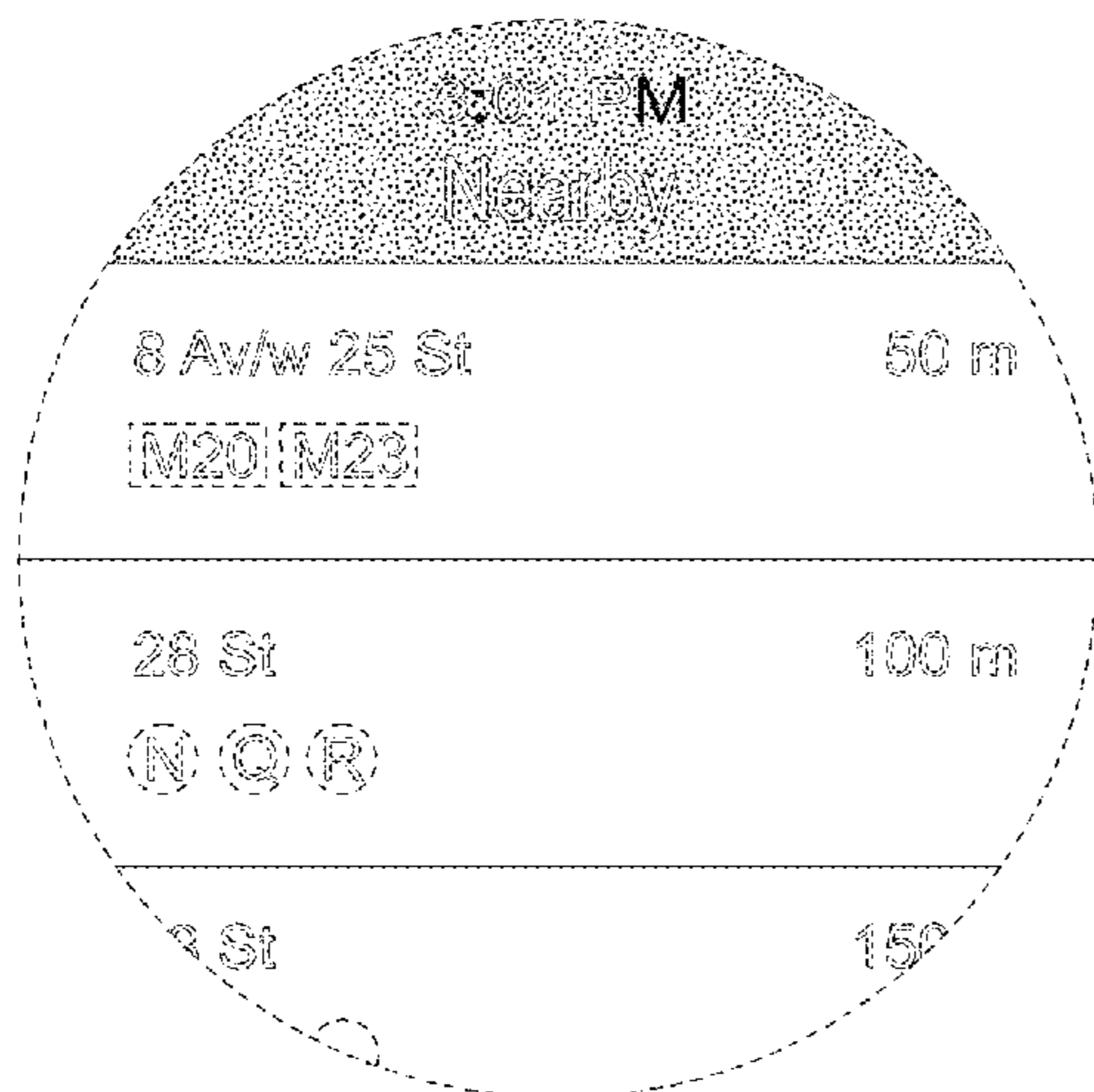
FIG. 7 is a front view of a seventh image thereof; and,

FIG. 8 is a front view of an eighth image thereof.

The outermost circle in broken lines in each of the drawings illustrates the display panel. The broken lines in each of the figures illustrating the display panel, and the broken lines illustrating the alphanumeric characters, symbols and icons that are portions of the graphical user interface do not form part of the claimed invention.

The process or period in which one image transitions to another forms no part of the claimed design.

**1 Claim, 4 Drawing Sheets**



(56)

References Cited

U.S. PATENT DOCUMENTS

D765,093 S \* 8/2016 Sonoda ..... D14/485  
 D772,750 S \* 11/2016 Saldana ..... D10/126  
 D774,073 S \* 12/2016 Anzures ..... D14/486  
 D775,200 S \* 12/2016 Maitlen ..... D14/489  
 D777,187 S \* 1/2017 Ruppert ..... D14/486  
 9,552,002 B2 \* 1/2017 Sloo ..... F24F 11/0086  
 D781,899 S \* 3/2017 Akana ..... D14/486  
 D782,527 S \* 3/2017 Rind ..... D14/488  
 D783,649 S \* 4/2017 Wu ..... D14/486  
 D786,918 S \* 5/2017 Kim ..... D14/487  
 D792,462 S \* 7/2017 Khandelwal ..... D14/487  
 D793,440 S \* 8/2017 Khandelwal ..... D14/492  
 D795,917 S \* 8/2017 Escutia ..... D14/488  
 9,732,979 B2 \* 8/2017 Fadell ..... F24F 11/006  
 D797,122 S \* 9/2017 Caro ..... D14/485  
 D797,134 S \* 9/2017 Jung ..... D14/486  
 D797,756 S \* 9/2017 Meyer ..... D14/485  
 D797,781 S \* 9/2017 Ochocinski ..... D14/486  
 D797,799 S \* 9/2017 Bunyard ..... D14/491  
 D799,498 S \* 10/2017 Graham ..... D14/485  
 D799,544 S \* 10/2017 Kim ..... D14/492  
 D802,008 S \* 11/2017 Zhang ..... D14/487  
 D803,853 S \* 11/2017 Zhang ..... D14/486  
 D804,513 S \* 12/2017 Lee ..... D14/487  
 D804,996 S \* 12/2017 Sahara ..... D12/91  
 D805,536 S \* 12/2017 Yan ..... D14/486

D806,728 S \* 1/2018 Demers ..... D14/486  
 D807,394 S \* 1/2018 Yamasaki ..... D14/489  
 D807,901 S \* 1/2018 Guinness ..... D14/486  
 2011/0197200 A1 \* 8/2011 Huang ..... G06F 17/30241  
 719/313  
 2012/0036480 A1 \* 2/2012 Warner ..... G06F 3/04847  
 715/833  
 2013/0185753 A1 \* 7/2013 Kliot ..... H04N 21/47217  
 725/39  
 2015/0052462 A1 \* 2/2015 Kulkarni ..... G06F 3/04817  
 715/765  
 2015/0111558 A1 \* 4/2015 Yang ..... G04G 21/04  
 455/418  
 2015/0331589 A1 \* 11/2015 Kawakita ..... G06F 1/163  
 715/834  
 2015/0350443 A1 \* 12/2015 Kumar ..... H04M 3/5232  
 379/265.13  
 2016/0357385 A1 \* 12/2016 Dan ..... G06F 3/0488

OTHER PUBLICATIONS

Google Maps APIS Blog | The world on your wrist: Google Maps API on Android Wear, posted on May 28, 2015, © 2017 Google [online], [site visited Aug. 31, 2017]. Available from Internet, <URL: <https://maps-apis.googleblog.com/2015/05/the-world-on-your-wrist-google-maps-api.html/>>.\*

\* cited by examiner

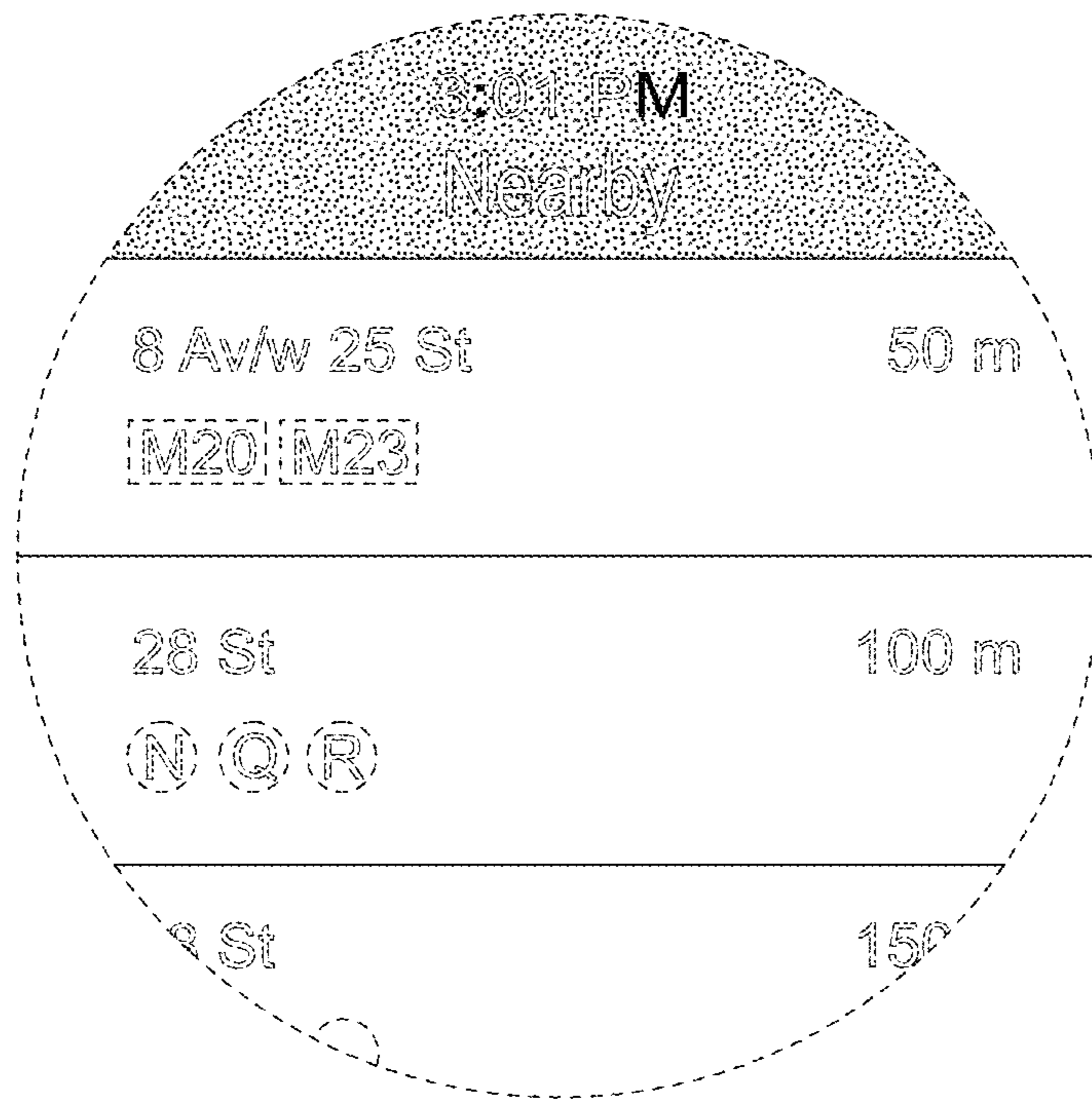


FIG. 1

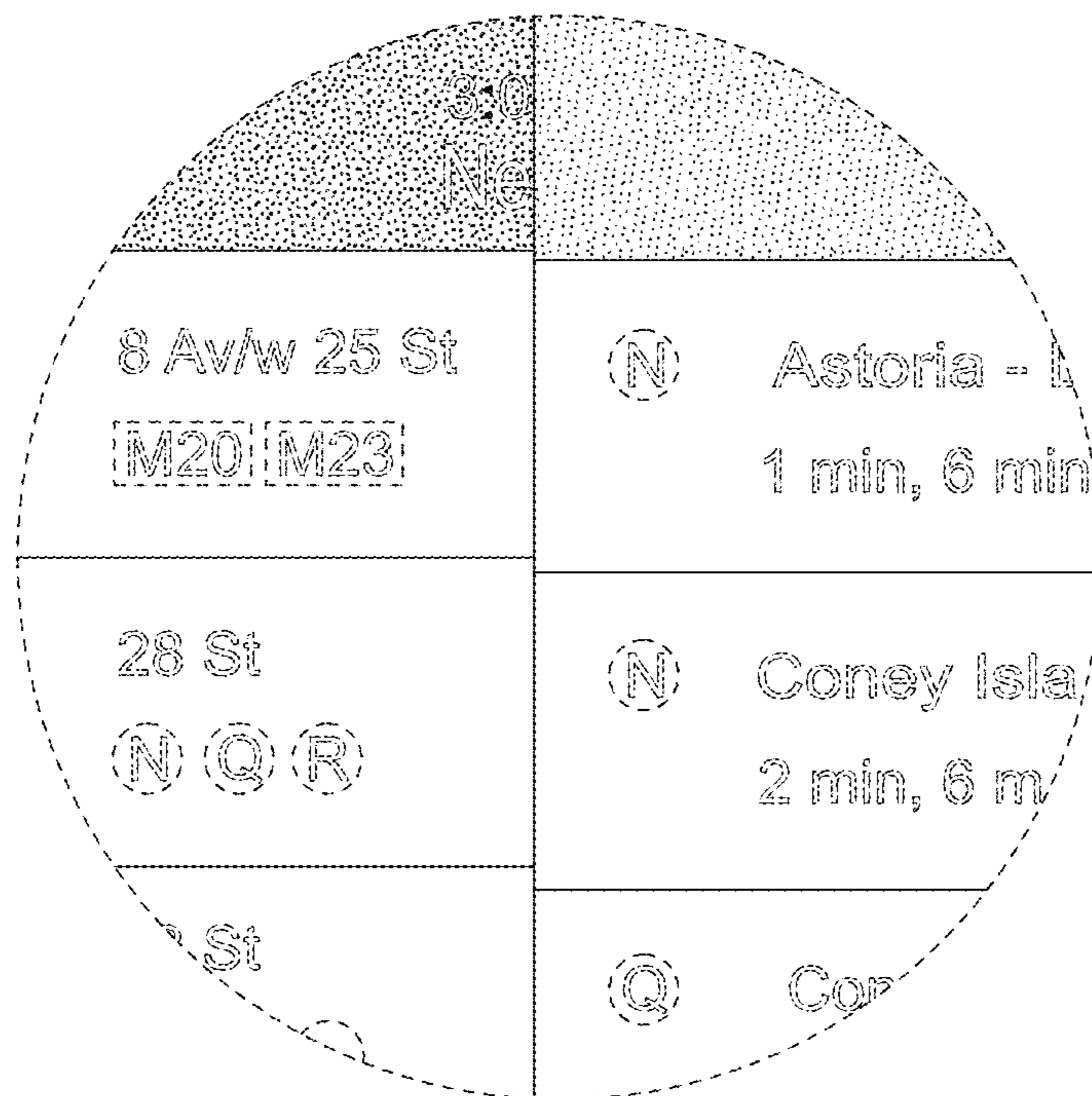


FIG. 2





FIG. 3



FIG. 4

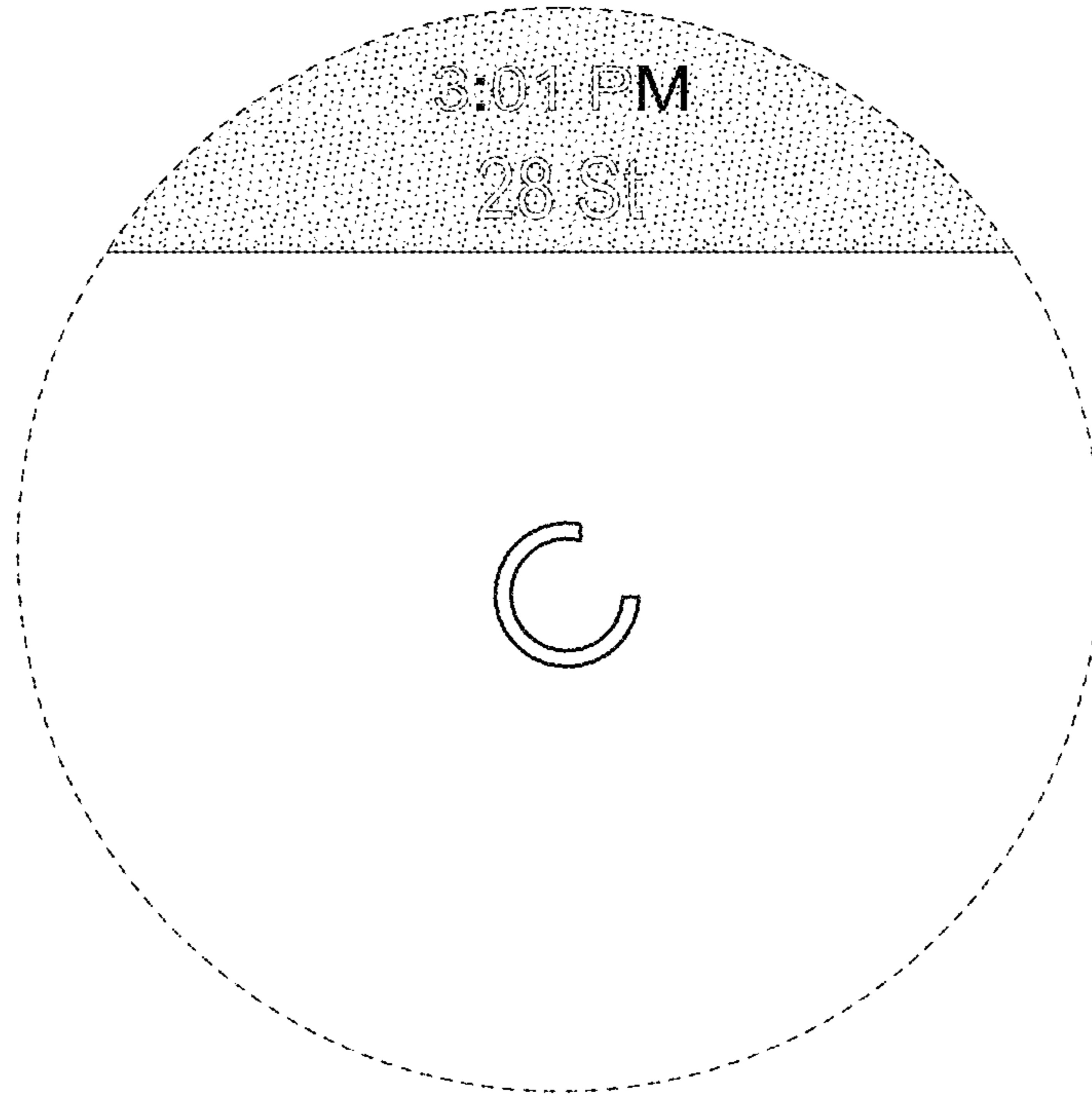


FIG. 5



FIG. 6

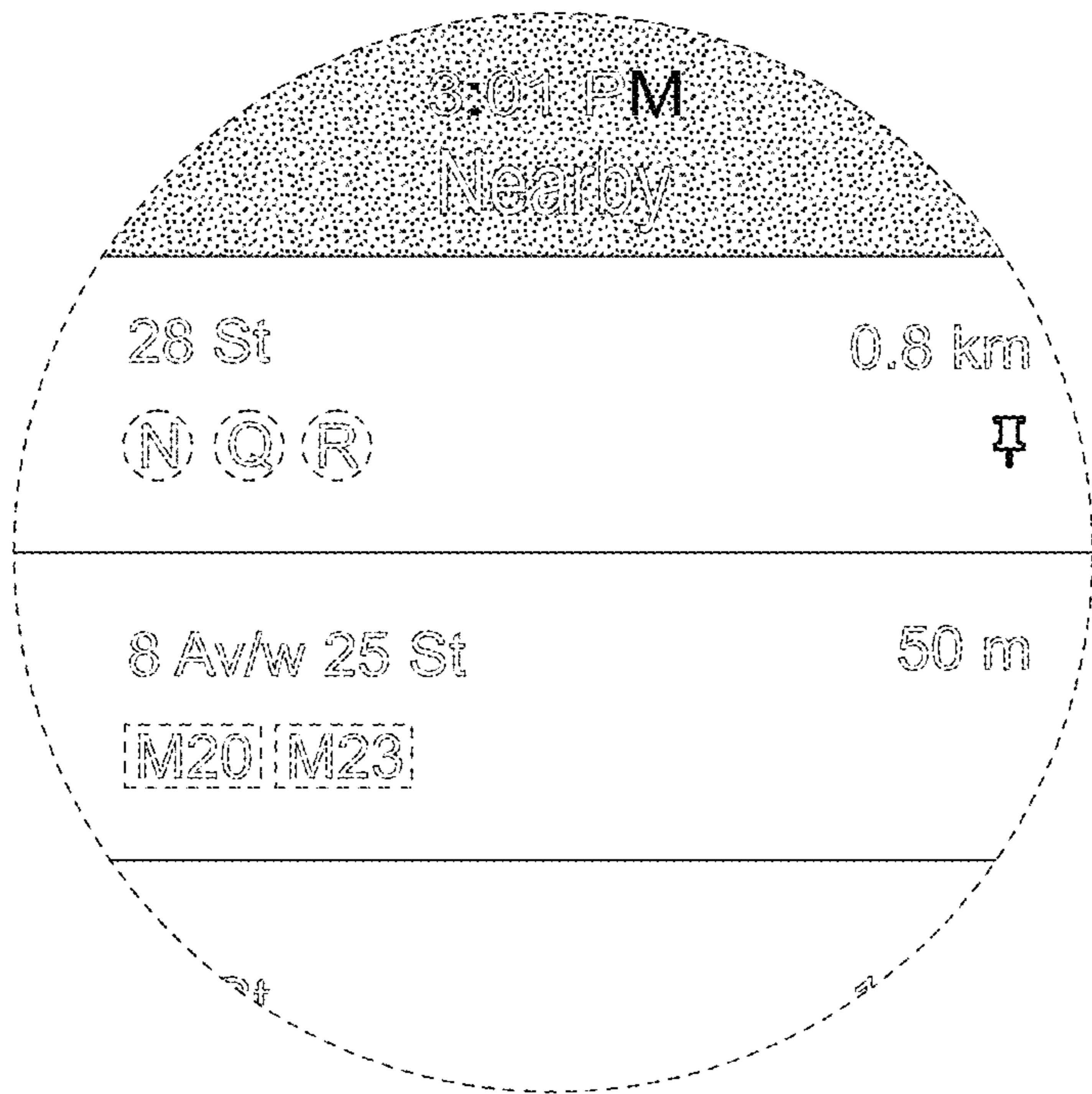


FIG. 7

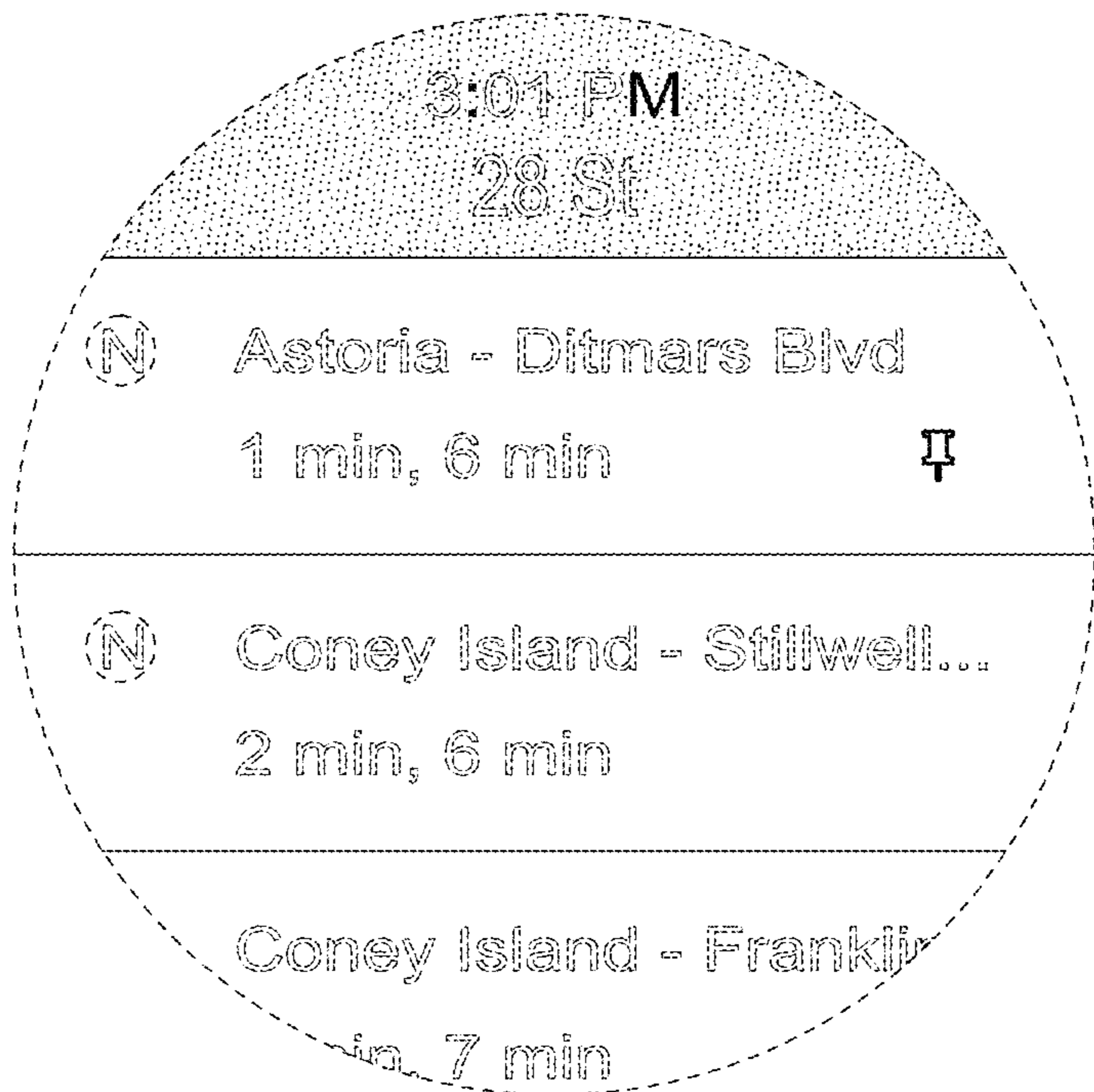


FIG. 8