

US00D819659S

(12) **United States Design Patent**
Wada et al.

(10) **Patent No.:** **US D819,659 S**
(45) **Date of Patent:** **** Jun. 5, 2018**

(54) **DISPLAY SCREEN OR PORTION THEREOF WITH GRAPHICAL USER INTERFACE**

D709,521 S * 7/2014 Choi D14/491
D752,632 S * 3/2016 Seo D14/488
D753,699 S * 4/2016 Tsukamoto D14/487

(Continued)

(71) Applicant: **Canon Kabushiki Kaisha**, Ohta-ku, Tokyo (JP)

(72) Inventors: **Tomoki Wada**, Kanagawa-ken (JP);
Ayako Kurita, Kanagawa-ken (JP);
Ryoko Unishi, Tokyo (JP)

(73) Assignee: **Canon Kabushiki Kaisha**, Tokyo (JP)

(**) Term: **15 Years**

(21) Appl. No.: **29/592,785**

(22) Filed: **Feb. 2, 2017**

(30) **Foreign Application Priority Data**

Aug. 4, 2016 (JP) 2016-016672
Aug. 4, 2016 (JP) 2016-016673

(51) **LOC (11) Cl.** **14-04**

(52) **U.S. Cl.**
USPC **D14/485**; D14/491

(58) **Field of Classification Search**
USPC D14/485-495; D20/11; D21/324, 325
CPC G06F 3/048; G06F 3/0481; G06F 3/04817;
G06F 3/0482; G06F 3/0483; G06F
3/04842; G06F 3/0485; G06F 3/04855;
G06F 3/0486; G06F 3/0488; G06F
3/04883; G06F 3/04886; G06F 9/4443;
G06F 17/211; G06F 17/212

See application file for complete search history.

(56) **References Cited**

U.S. PATENT DOCUMENTS

D556,768 S * 12/2007 Morris D14/487
D664,987 S * 8/2012 Gleasman D14/488
D701,235 S * 3/2014 Hatta D14/486
D701,866 S * 4/2014 Pearson D14/485

OTHER PUBLICATIONS

Bokhari, S.A., "jQuery Image Slider for Dummies Part-2in Dreamweaver with Captions with Link Pager Arrows" Mar. 26, 2014, posted at youtube.com, [site visited Feb. 13, 2018]. Available from Internet: <https://www.youtube.com/watch?v=w8kQRNzUK50>.*

(Continued)

Primary Examiner — Karen E Kearney
Assistant Examiner — John M Otte

(74) *Attorney, Agent, or Firm* — Fitzpatrick, Cella, Harper & Scinto

(57) **CLAIM**

The ornamental design for a display screen or portion thereof with graphical user interface, as shown and described.

DESCRIPTION

FIG. 1 is a front view of a first image in a sequence for a display screen or portion thereof with graphical user interface showing our new design;

FIG. 2 is a front view of a second image thereof;

FIG. 3 is a front view of a third image thereof;

FIG. 4 shows the design of FIG. 1 in environment;

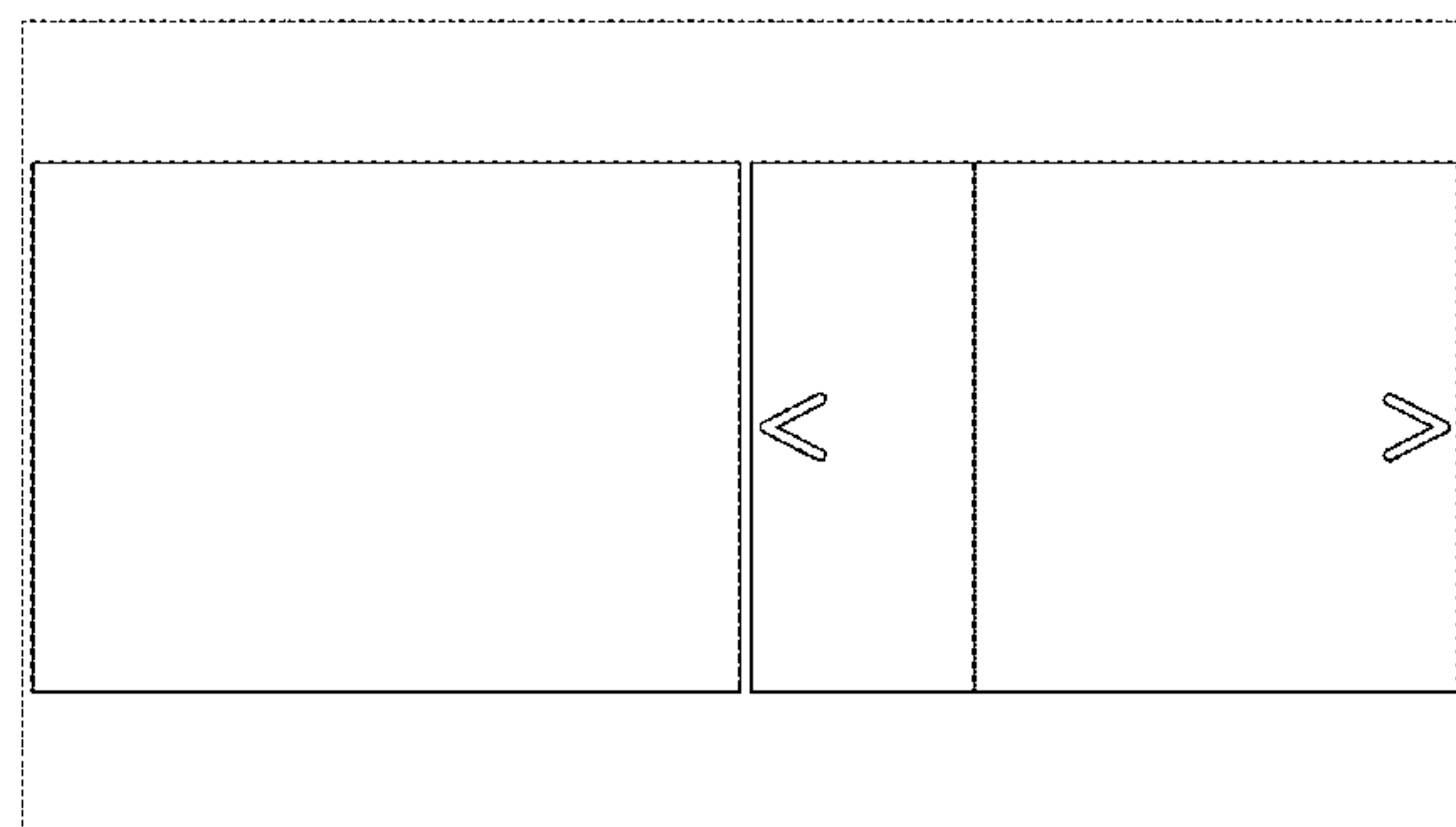
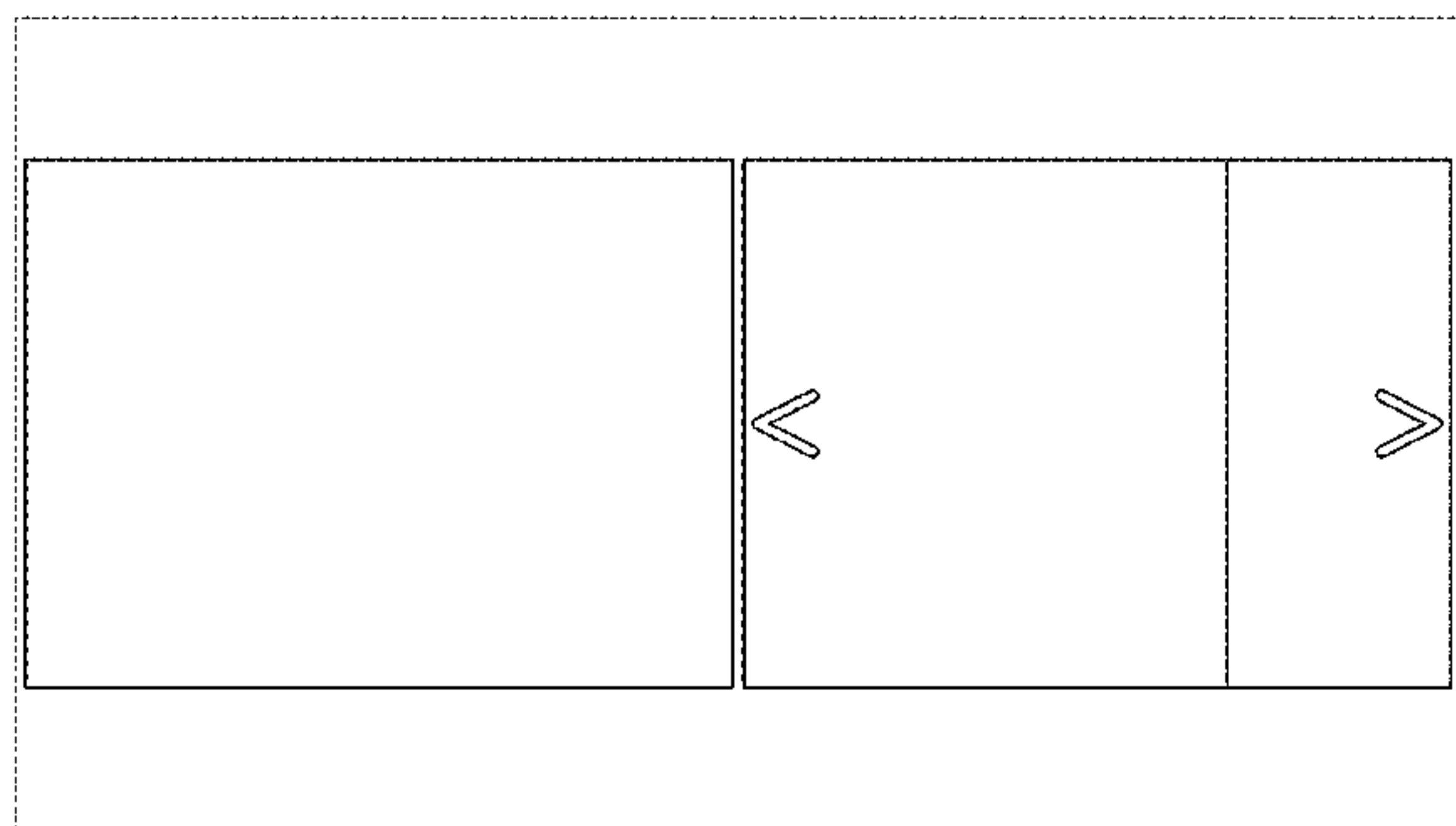
FIG. 5 shows the design of FIG. 2 in environment; and,

FIG. 6 shows the design of FIG. 3 in environment.

The broken line showing of a display screen or portion thereof with graphical user interface is included for the purpose of showing portions of the article which form no part of the claim.

The appearance of the transitional image sequentially transitions between the images shown in FIGS. 1-3 and FIGS. 4-6. The process or period in which one image transitions to another image forms no part of the claimed design.

1 Claim, 3 Drawing Sheets



(56)

References Cited

U.S. PATENT DOCUMENTS

D766,922 S * 9/2016 Osotio D14/485
D768,643 S * 10/2016 Miyakawa D14/485
D768,658 S * 10/2016 Osotio D14/485
D777,765 S * 1/2017 Ball D14/486
2009/0007017 A1 * 1/2009 Anzures G06F 3/04883
715/835
2013/0145307 A1 * 6/2013 Kawasaki G06F 3/04886
715/781

OTHER PUBLICATIONS

“The guide to Sliders” May 23, 2016, posted at youtube.com, [site visited Feb. 13, 2018]. Available from Internet: <https://www.youtube.com/watch?v=WFsRrQFbmBU>.*

“Slider Setup” Jul. 16, 2015, posted at themepunch.com, [site visited Feb. 14, 2018]. Available from Internet: <https://www.themepunch.com/revslider-doc/slider-setup>.*

“Left-right arrow indicators over a ViewPager” Aug. 6, 2014, posted at stackoverflow.com, [site visited Feb. 13, 2018]. Available from Internet: <https://stackoverflow.com/questions/25157067/left-right-arrow-indicators-over-a-viewpager/25164562>.*

* cited by examiner

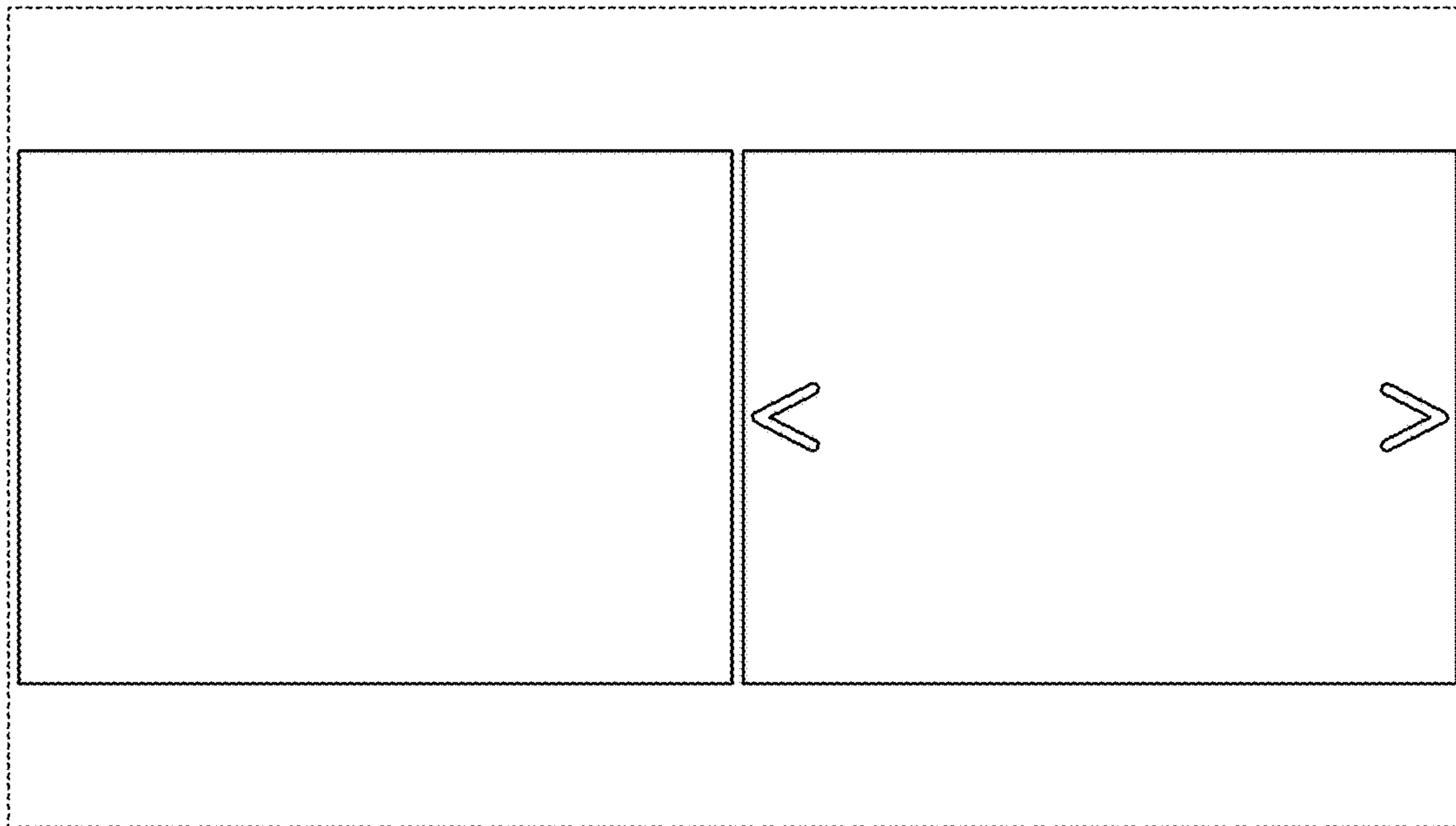


FIG. 1

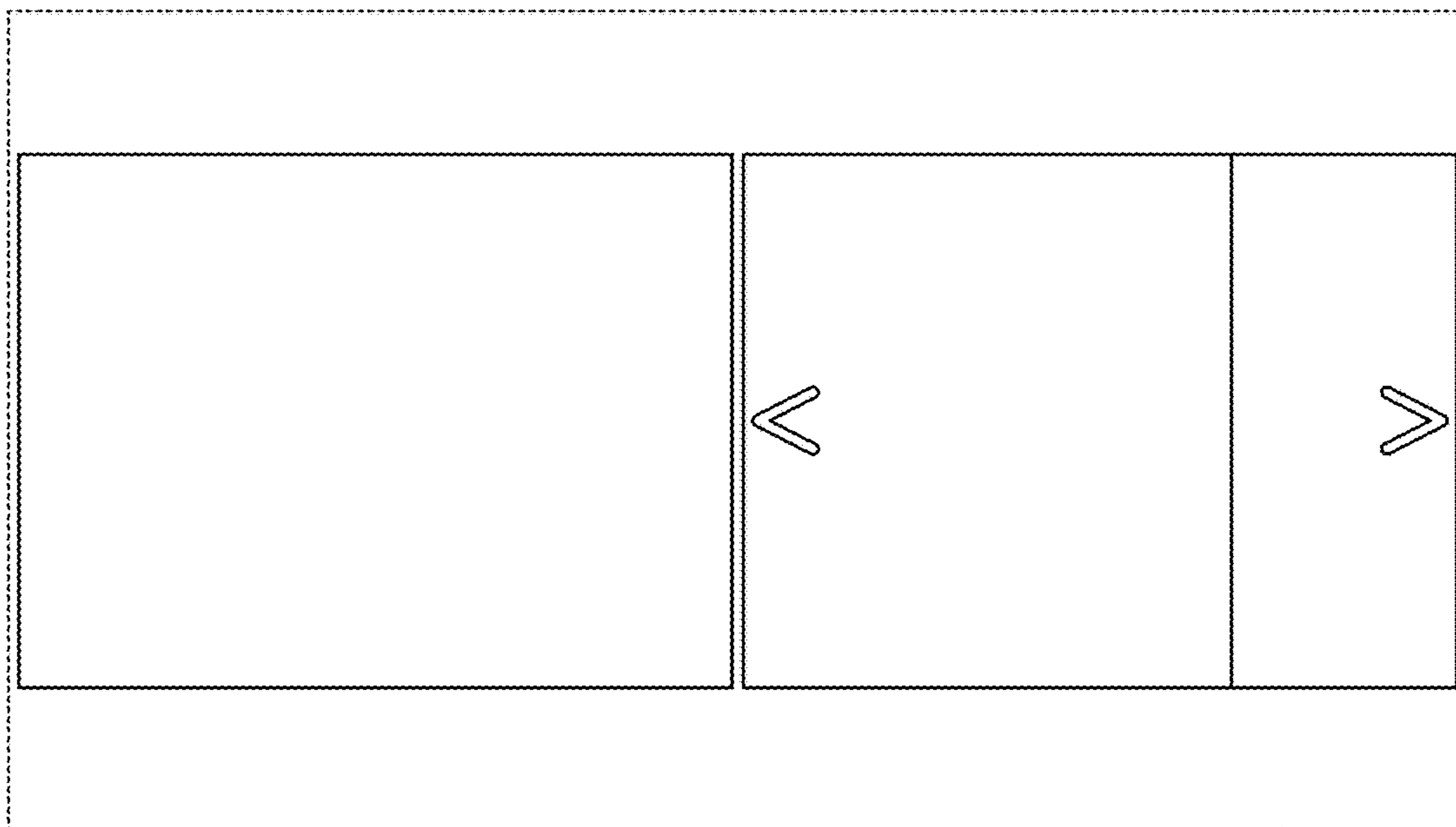


FIG. 2

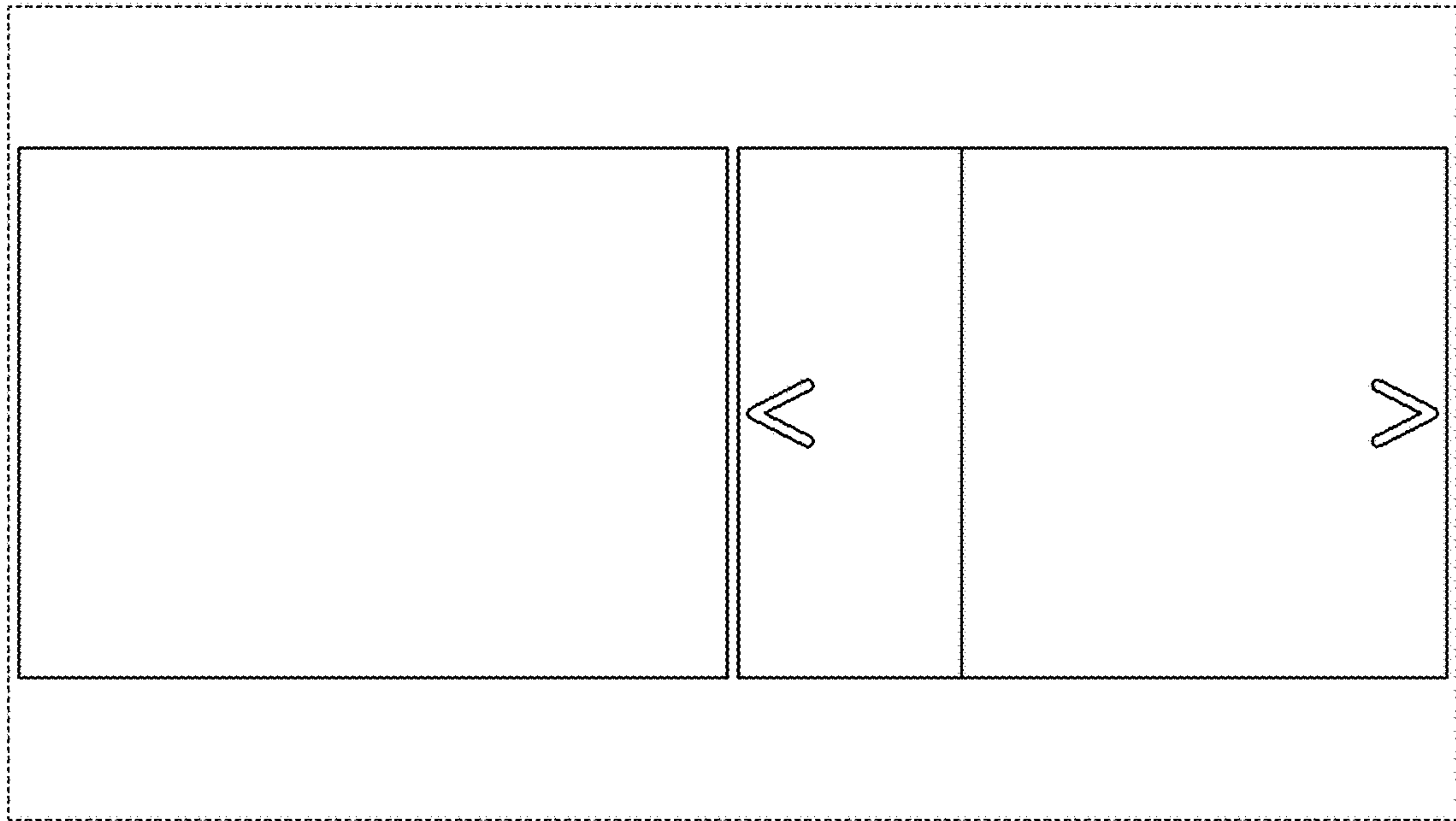


FIG. 3

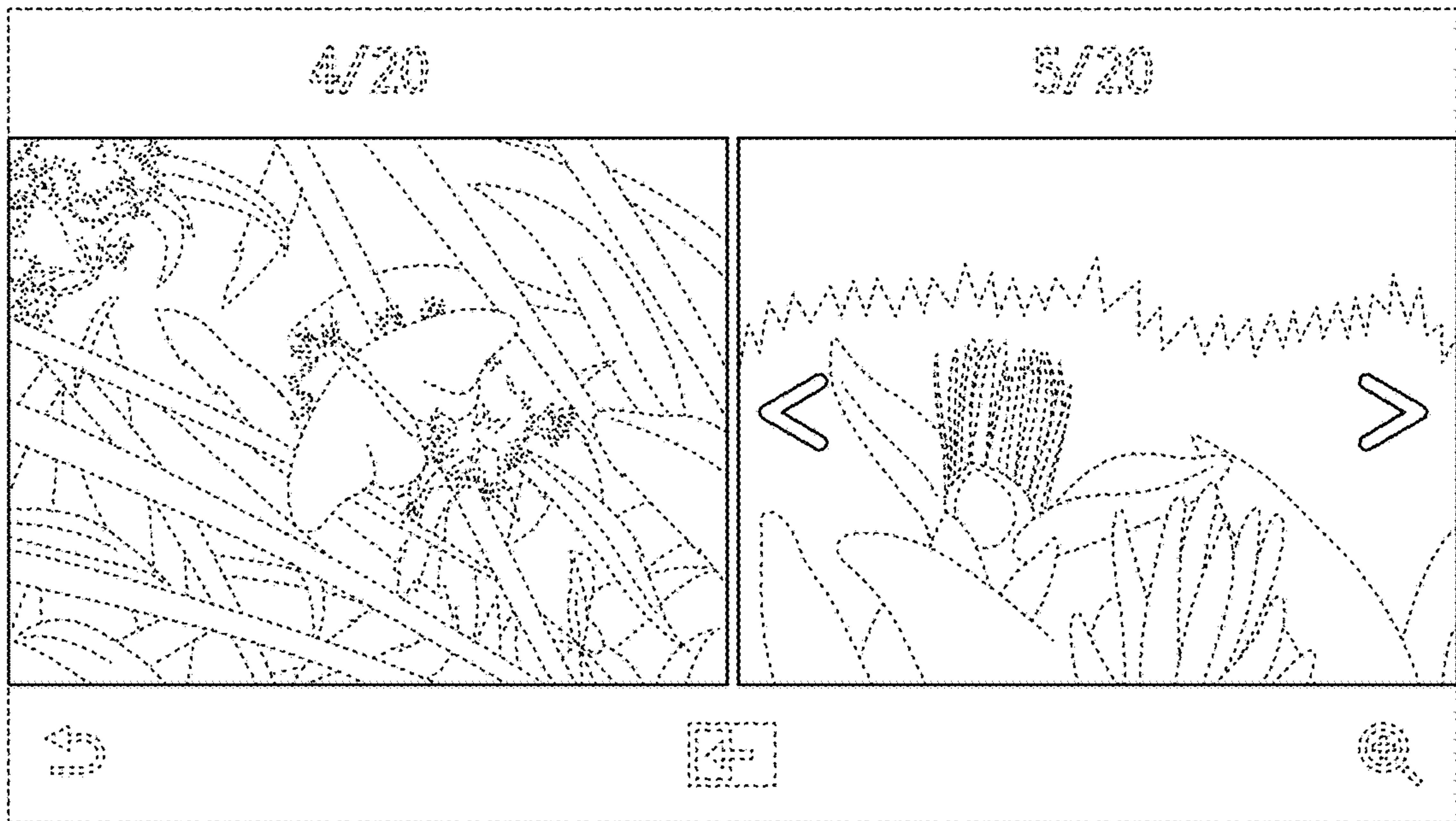


FIG. 4

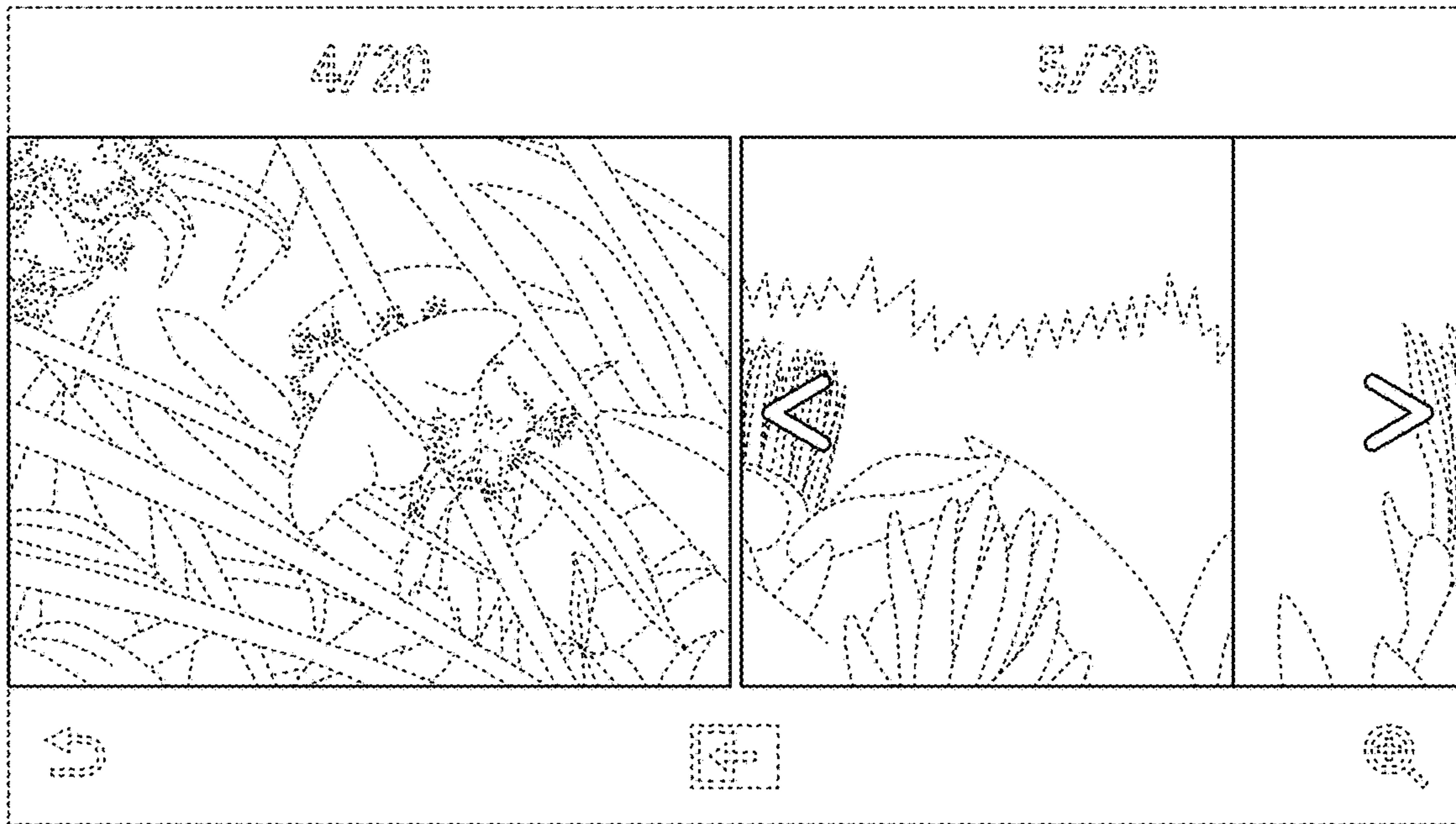


FIG. 5

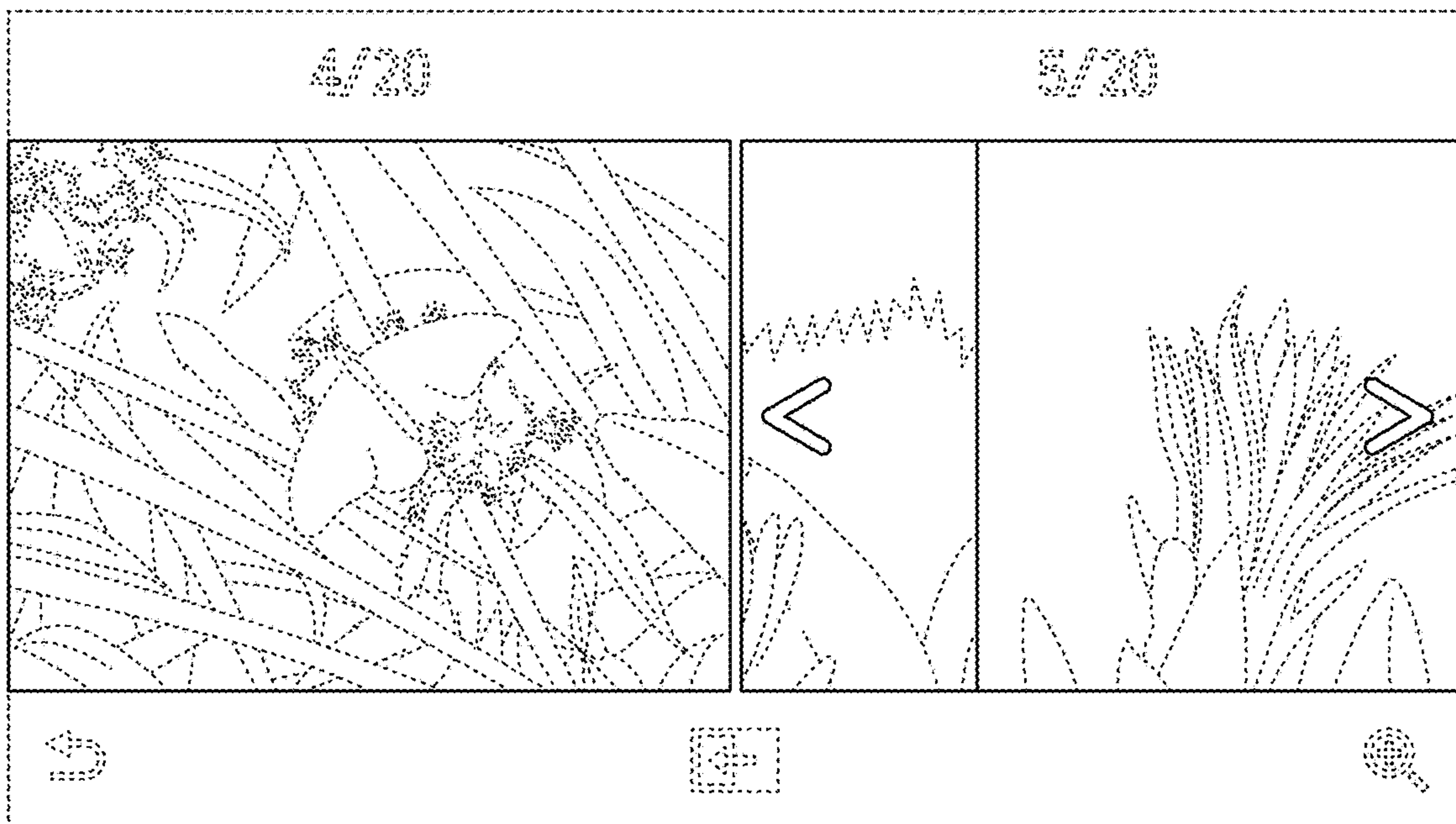


FIG. 6