



US00D819644S

(12) **United States Design Patent**  
**Wright et al.**

(10) **Patent No.:** **US D819,644 S**  
(45) **Date of Patent:** **\*\* Jun. 5, 2018**

- (54) **CASE**
- (71) Applicant: **CATALYST LIFESTYLE LIMITED**,  
North Point (CN)
- (72) Inventors: **Joshua Wright**, Hong Kong (CN);  
**June Lai**, Hong Kong (CN)
- (73) Assignee: **CATALYST LIFESTYLE LIMITED**,  
North Point, Hong Kong (CN)
- (\*\*) Term: **15 Years**

D696,234 S *	12/2013	Wright	.....	D14/250
D703,211 S	4/2014	Weller et al.		
D706,272 S	4/2014	Weller et al.		
D724,094 S	3/2015	Blochinger et al.		
D725,117 S *	3/2015	Melanson	.....	D14/440
D729,785 S	5/2015	Magness et al.		
D731,493 S	6/2015	Mills		
D735,207 S	7/2015	Dahlberg		
9,077,013 B2	7/2015	Huang et al.		
D736,777 S	8/2015	Rayner		
9,107,484 B2	8/2015	Chaney		
9,123,935 B2	9/2015	Huang		
D755,187 S	5/2016	Shannon, III		

(Continued)

- (21) Appl. No.: **29/560,189**
- (22) Filed: **Apr. 4, 2016**
- (51) **LOC (11) Cl.** ..... **14-02**
- (52) **U.S. Cl.**  
USPC ..... **D14/440**
- (58) **Field of Classification Search**  
USPC ..... D14/440, 250, 447; 206/45.23, 320,  
206/45.2; 361/679.55; 294/25; 224/218  
CPC ... G06F 1/1628; G06F 1/1626; A47B 23/044;  
H04B 1/3888  
See application file for complete search history.

**OTHER PUBLICATIONS**

International Search Report—Written Opinion, PCT/US15/25549,  
dated Jul. 14, 2015, 8 pages.

(Continued)

*Primary Examiner* — Cynthia R Underwood  
(74) *Attorney, Agent, or Firm* — Dinsmore & Shohl LLP

(57) **CLAIM**

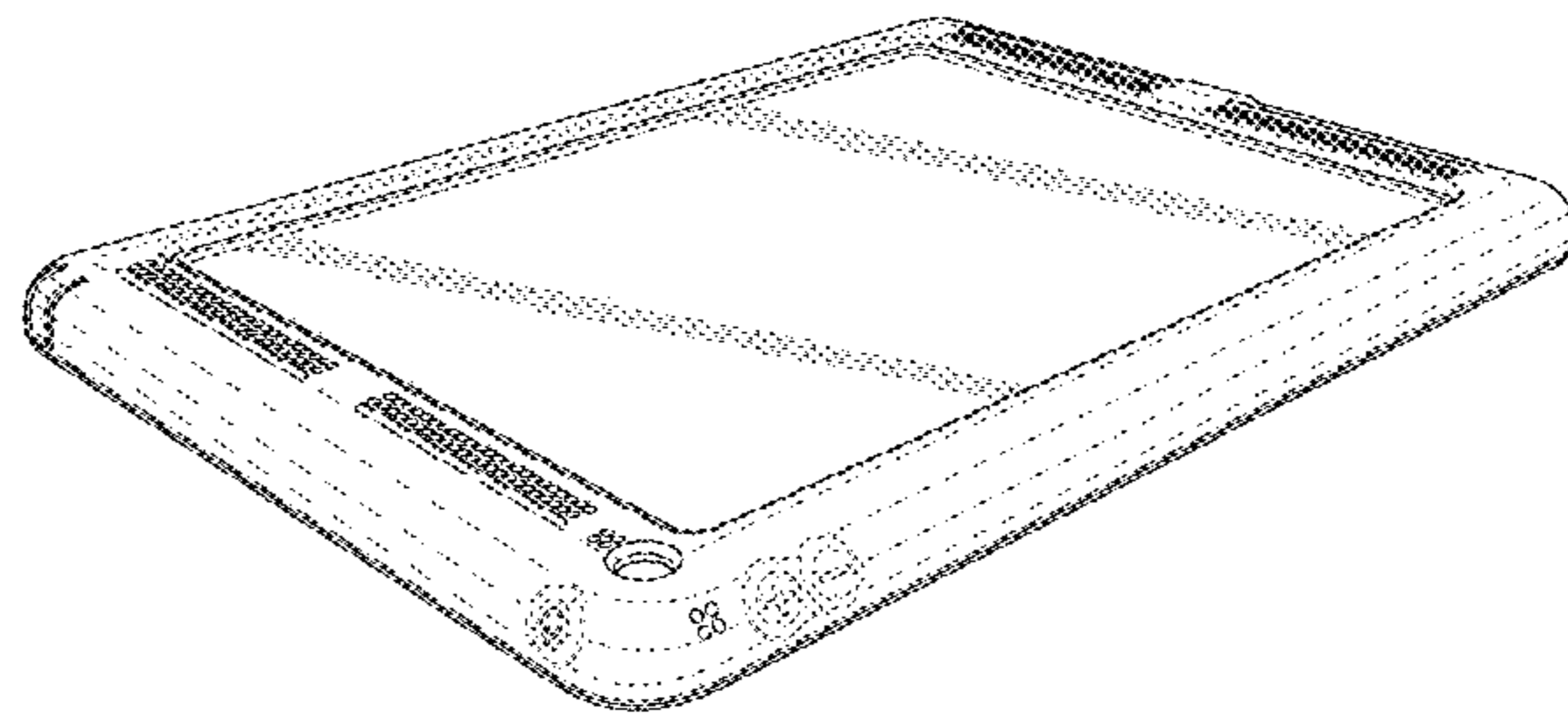
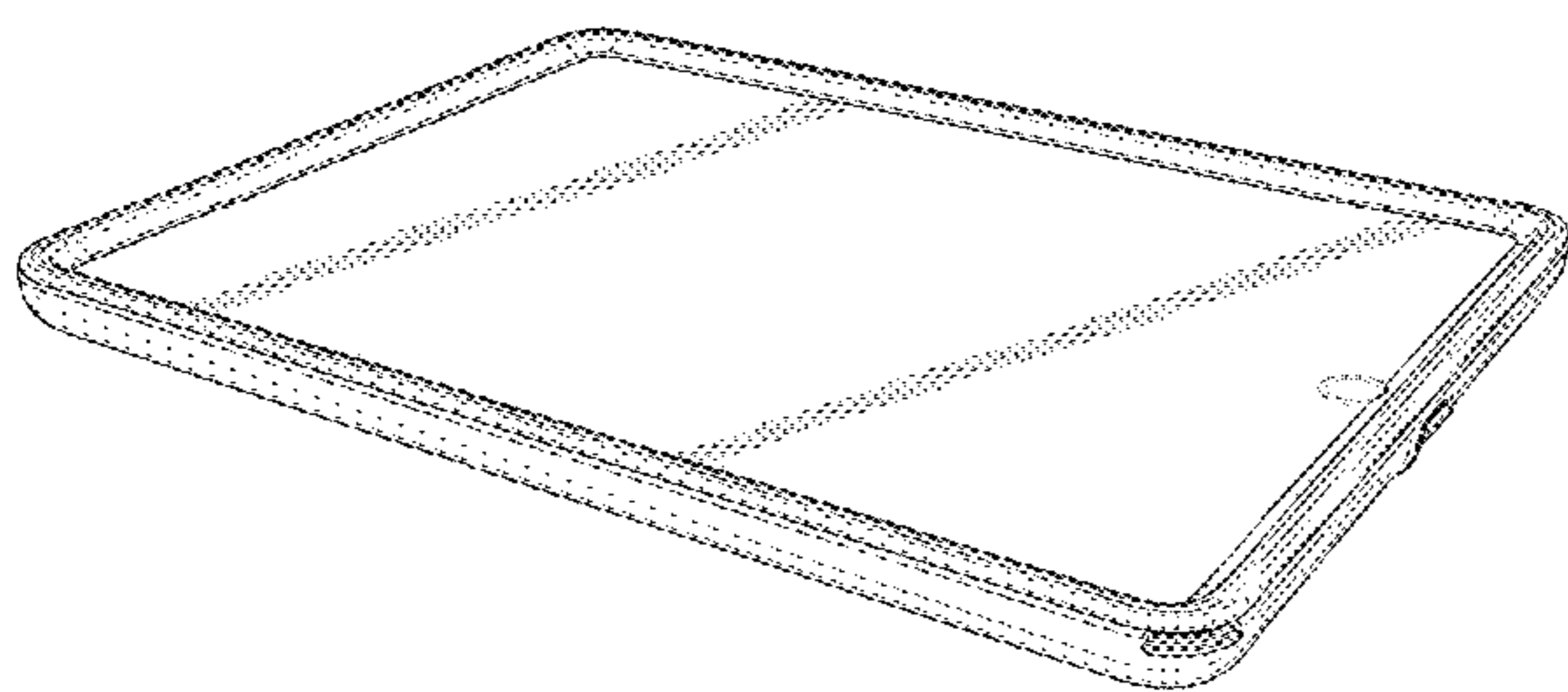
The ornamental design for a case, as shown and described.

**DESCRIPTION**

FIG. 1 is a perspective view of a front, one end and one side of the case;  
 FIG. 2 is a perspective view of a rear, an opposite end, and an opposite side of the case of FIG. 1;  
 FIG. 3 is a planar view of the rear of the case of FIG. 1;  
 FIG. 4 is a planar view of the front of the case of FIG. 1;  
 FIG. 5 is a planar view of the opposite side of the case of FIG. 1;  
 FIG. 6 is a planar view of the side of the case of FIG. 1;  
 FIG. 7 is a planar view of the opposite end of the case of FIG. 1; and,  
 FIG. 8 is a planar view of the end of the case of FIG. 1.

**1 Claim, 6 Drawing Sheets**

- (56) **References Cited**  
U.S. PATENT DOCUMENTS
- |              |         |                   |
|--------------|---------|-------------------|
| 7,180,735 B2 | 2/2007  | Thomas et al.     |
| 7,907,394 B2 | 3/2011  | Richardson et al. |
| 7,941,196 B2 | 5/2011  | Kawasaki et al.   |
| D641,756 S   | 7/2011  | Hsieh et al.      |
| D643,433 S   | 8/2011  | Hsieh et al.      |
| D643,843 S   | 8/2011  | Hsieh et al.      |
| D647,526 S   | 10/2011 | Vandiver et al.   |
| 8,164,899 B2 | 4/2012  | Yamaguchi et al.  |
| 8,269,104 B2 | 9/2012  | Choraku et al.    |
| D673,159 S   | 12/2012 | McCarthy et al.   |
| D675,210 S   | 1/2013  | Kim               |
| D679,714 S   | 4/2013  | Smith et al.      |
| D694,244 S   | 11/2013 | Magness et al.    |



(56)

**References Cited**

U.S. PATENT DOCUMENTS

D759,658	S	6/2016	Lai et al.	
9,444,506	B2 *	9/2016	Lai .....	H04B 1/3888
D781,863	S	3/2017	Lai et al.	
D788,758	S *	6/2017	Liu .....	D14/250
D794,036	S *	8/2017	Hennings .....	D14/250
2009/0009945	A1	1/2009	Johnson et al.	
2009/0215412	A1	8/2009	Liu et al.	
2010/0311475	A1	12/2010	Takatsuka et al.	
2011/0024315	A1	2/2011	Kim	
2012/0043235	A1	2/2012	Klement	
2012/0099266	A1	4/2012	Reber et al.	
2012/0118773	A1	5/2012	Rayner	
2012/0325723	A1	12/2012	Carnevali	
2013/0063004	A1	3/2013	Lai et al.	
2013/0271902	A1	10/2013	Lai et al.	
2014/0016217	A1	1/2014	Rayner	

OTHER PUBLICATIONS

International Search Report, Written Opinion—PCT/US2016/045486, dated Nov. 1, 2016, 10 pages.

\* cited by examiner

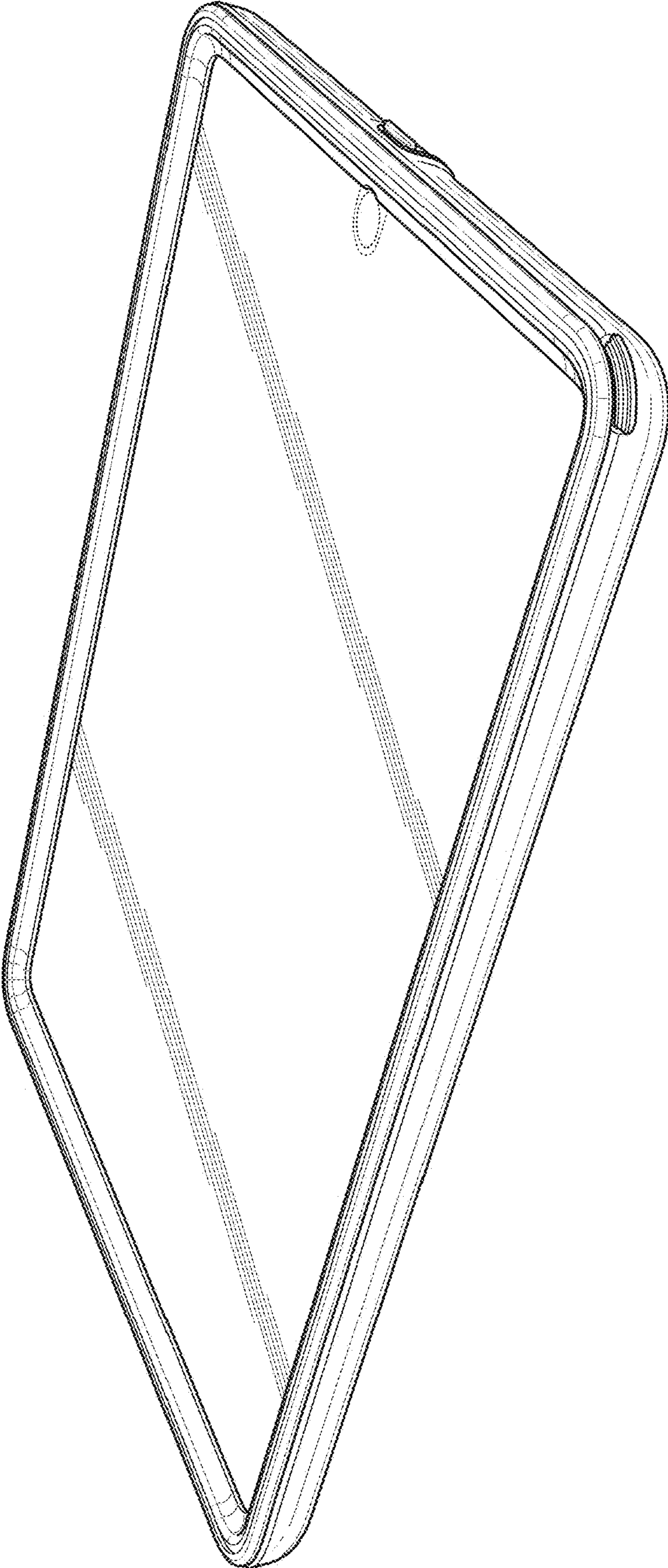
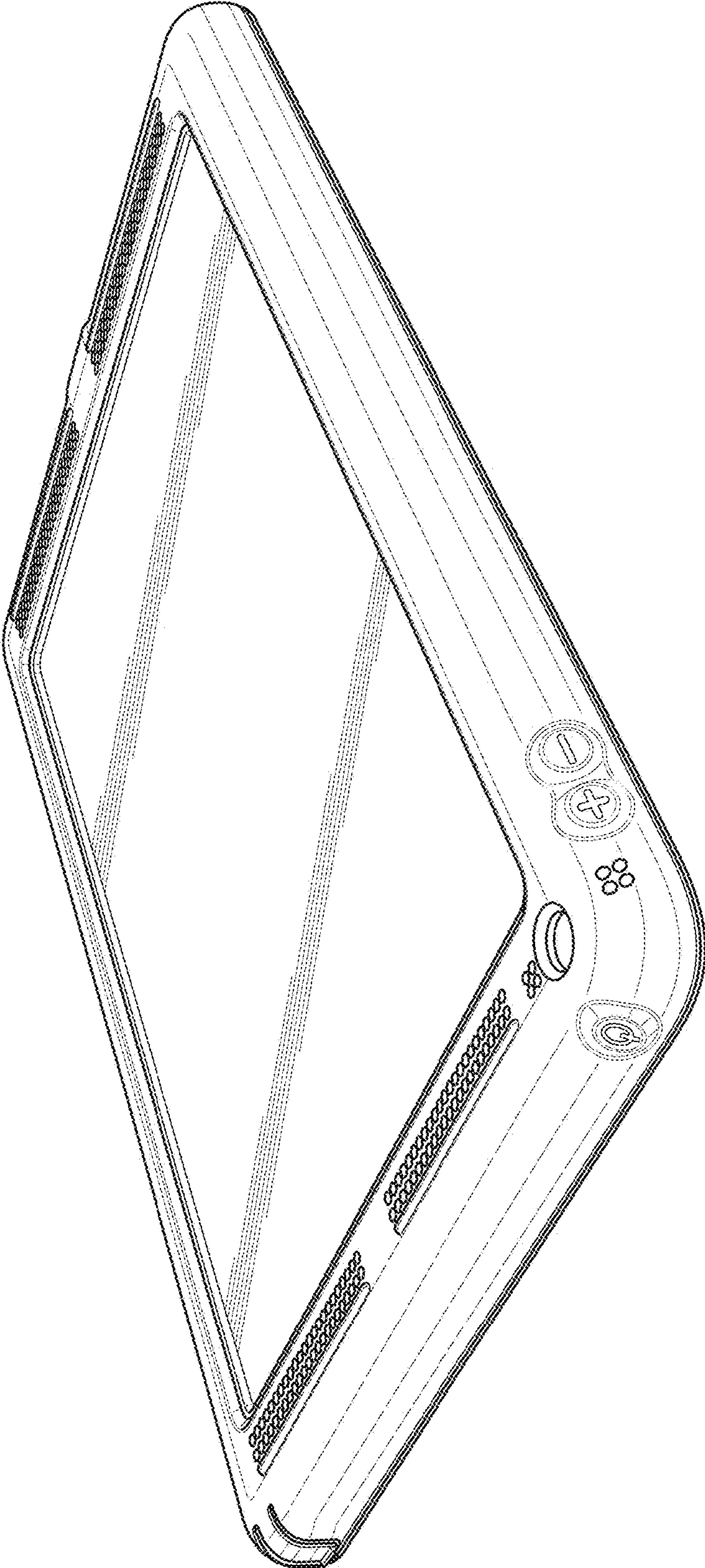


FIG. 1

FIG. 2



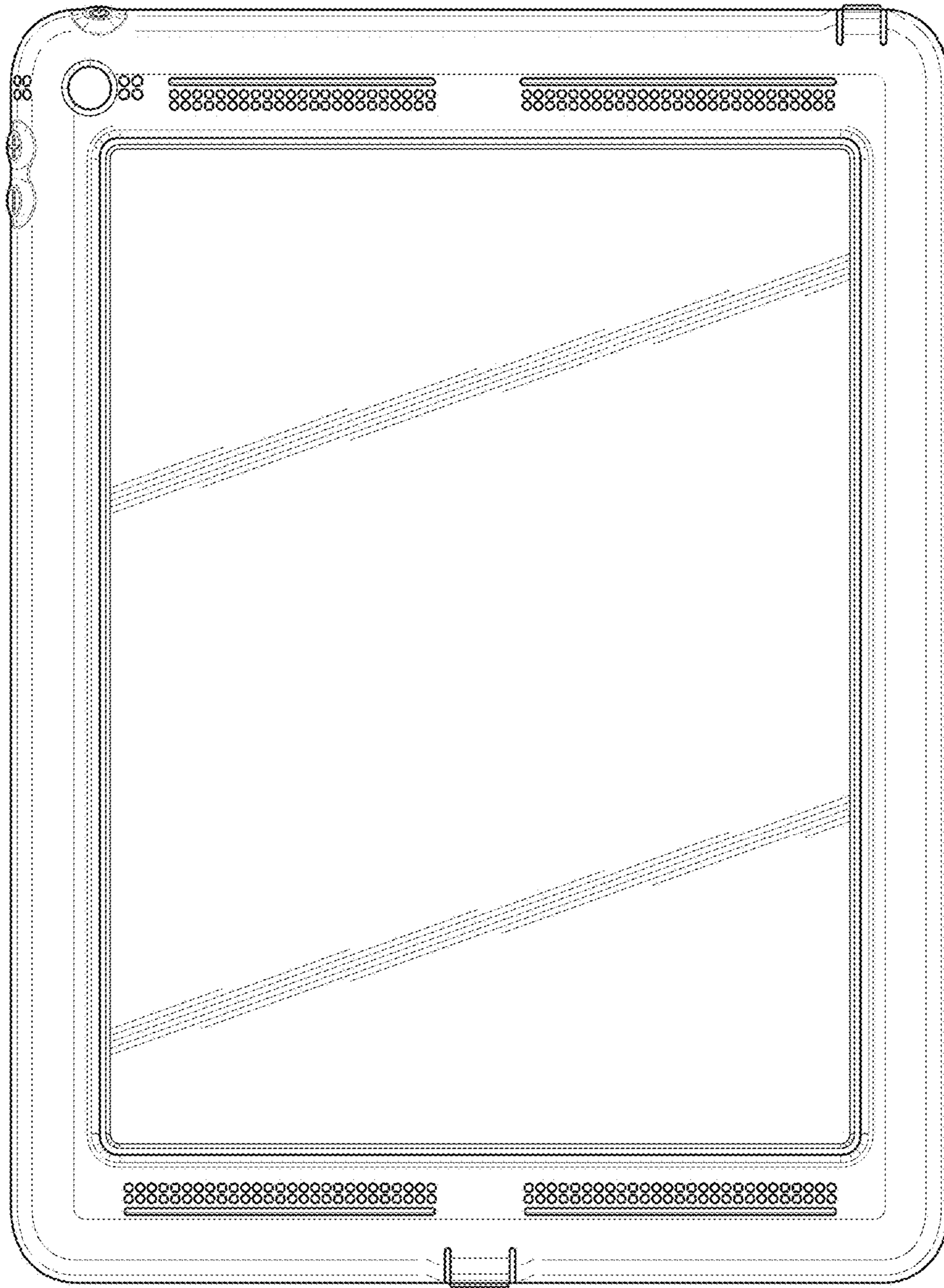


FIG. 3

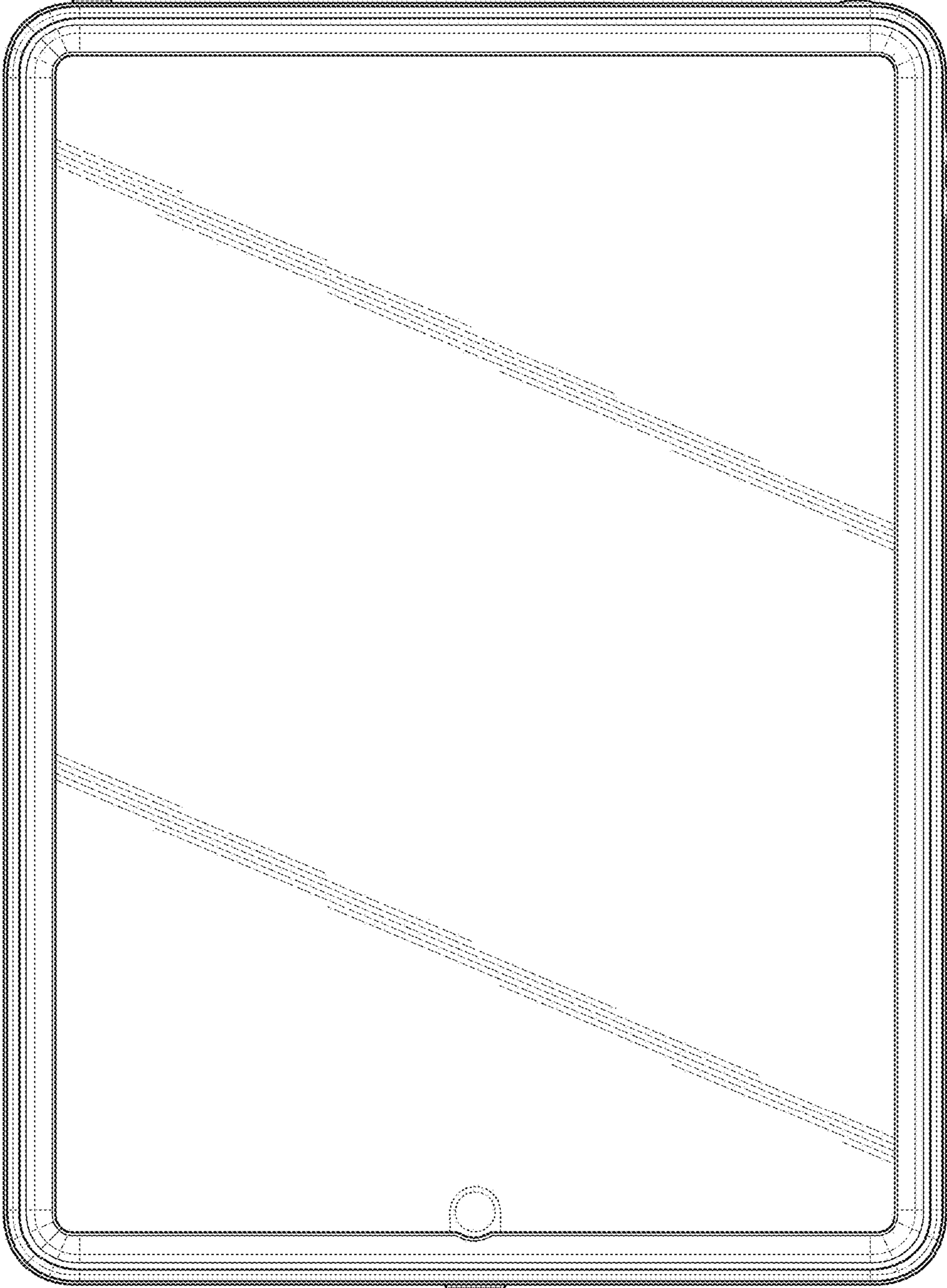
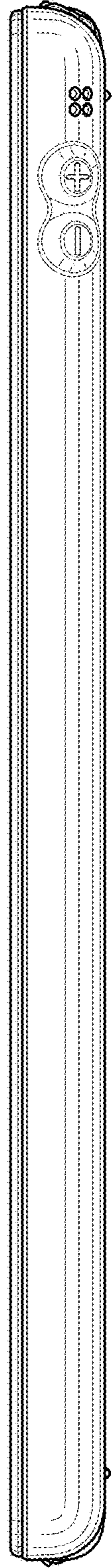
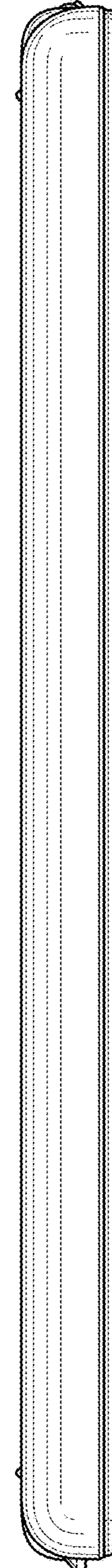


FIG. 4



**FIG. 5**



**FIG. 6**



FIG. 7

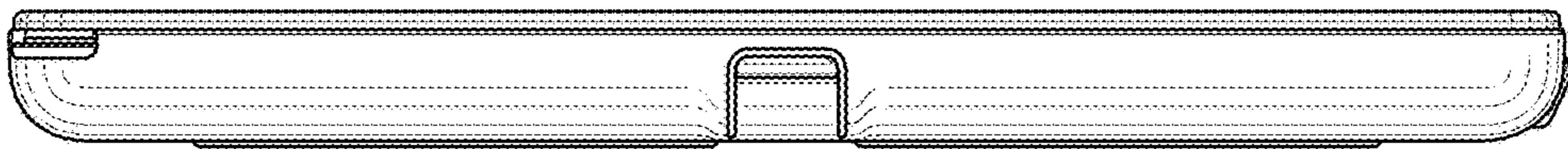


FIG. 8